



US00D934226S

(12) **United States Design Patent**
Zhang

(10) **Patent No.:** **US D934,226 S**

(45) **Date of Patent:** **** Oct. 26, 2021**

(54) **CASE FOR MOBILE TELEPHONE**

(71) Applicant: **Guangzhou Eastmate Plastic Product Co., Ltd.**, Guangdong (CN)

(72) Inventor: **Yiqiang Zhang**, Guangdong (CN)

(73) Assignee: **Guangzhou Eastmate Plastic Product Co., Ltd.**, Guangdong (CN)

(**) Term: **15 Years**

(21) Appl. No.: **29/738,194**

(22) Filed: **Jun. 16, 2020**

(30) **Foreign Application Priority Data**

Dec. 17, 2019 (CN) 201930705418.6

(51) **LOC (13) Cl.** **14-03**

(52) **U.S. Cl.**
USPC **D14/250**

(58) **Field of Classification Search**

USPC D14/203.3-203.7, 439, 251-253, 447,
D14/217, 240, 238.1, 250, 440, 248;
D13/107-108, 103, 119; D3/201, 218,
D3/247, 249, 269, 273, 301, 303
CPC . H04B 1/3888; A45C 13/02; A45C 2011/002;
A45C 1/06; A45C 11/00; A45F 2005/026;
A45F 2200/0525; A45F 2200/0516;
H04M 1/0283; H04M 1/0202

See application file for complete search history.

(56) **References Cited**

U.S. PATENT DOCUMENTS

D703,656 S * 4/2014 Witter D14/250
D709,869 S * 7/2014 Witter D14/250
D771,027 S * 11/2016 Prstojevich D14/250
D780,166 S * 2/2017 Lin D14/250
D791,759 S * 7/2017 Lin D14/250
D795,857 S * 8/2017 Chen D14/250
D803,221 S * 11/2017 Guo D14/440

D809,454 S * 2/2018 Zhou D13/103
D816,654 S * 5/2018 Chen D14/250
D831,030 S * 10/2018 Gao D14/440
D840,990 S * 2/2019 Kim D14/250
D843,363 S * 3/2019 Yan D14/250
D845,290 S * 4/2019 Brubaker D14/250
D847,817 S * 5/2019 Cheng D14/440
D849,735 S * 5/2019 Fang D14/250

(Continued)

Primary Examiner — Carla J Wright

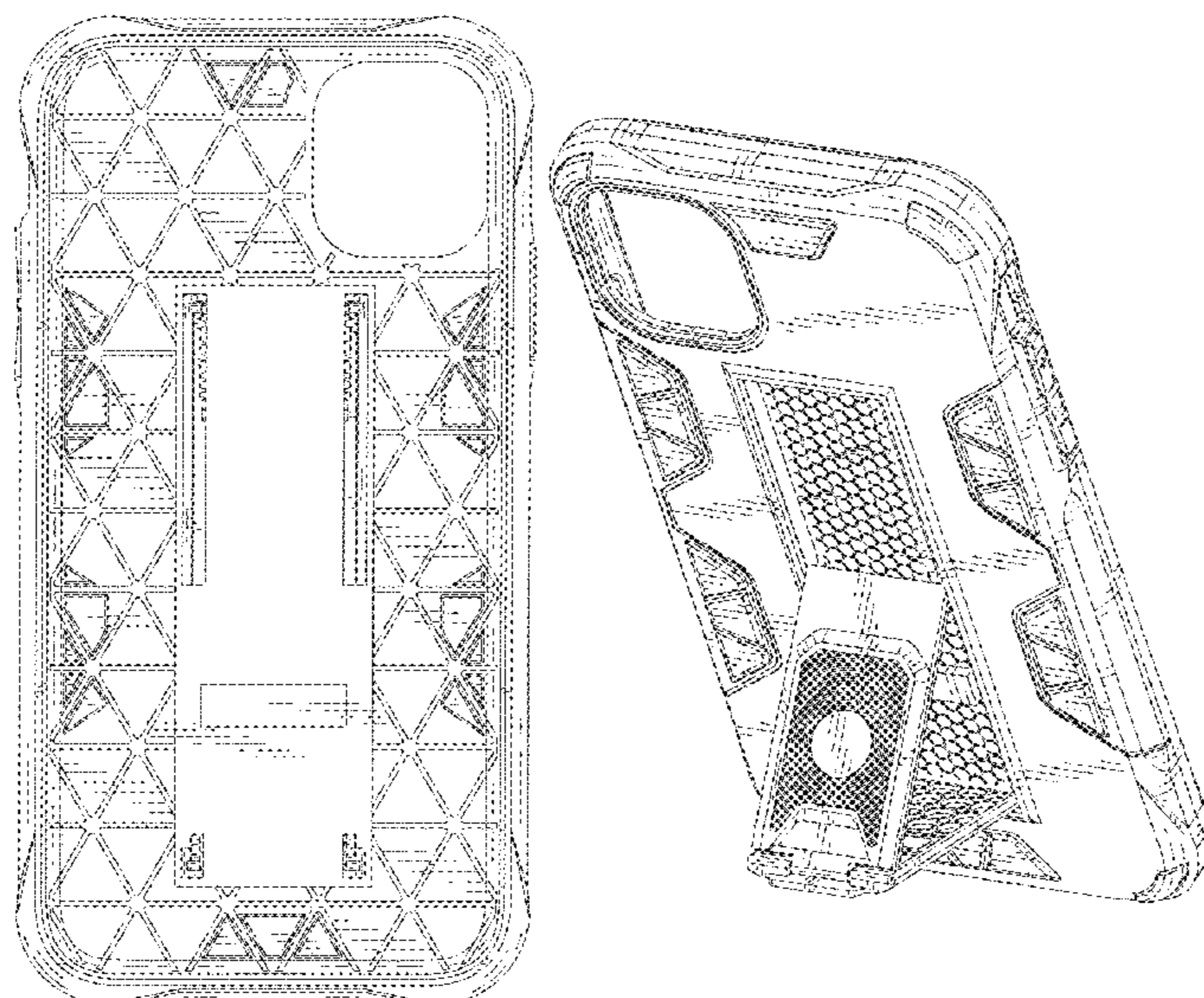
(57) **CLAIM**

The ornamental design for a case for mobile telephone, as shown and described.

DESCRIPTION

FIG. 1 is a front, left-side, and bottom perspective view of a case for mobile telephone showing my new design; FIG. 2 is a front elevation view thereof; FIG. 3 is a rear elevation view thereof; FIG. 4 is a left side elevation view thereof; FIG. 5 is a right side elevation view thereof; FIG. 6 is a top plan view thereof; FIG. 7 is a bottom plan view thereof; FIG. 8 is a rear, right-side, and bottom perspective view thereof; FIG. 9 is a front, left-side and top perspective view thereof showing the support stand portion of the case in an extended position of use; FIG. 10 is a front, right-side, and top perspective view thereof showing the support stand portion of the case in an extended position of use; FIG. 11 is an enlarged view of the corresponding portion of FIG. 1 outlined by a dot-dash broken line; and, FIG. 12 is an enlarged view of the corresponding portion of FIG. 1 outlined by a dot-dash broken line. The dot-dash broken lines in FIGS. 1 and 11-12 delineate portions of the claimed design that are shown on an enlarged scale in FIGS. 11-12.

1 Claim, 10 Drawing Sheets



(56)

References Cited

U.S. PATENT DOCUMENTS

D850,451	S *	6/2019	Chen	D14/440
D851,586	S *	6/2019	Liu	D13/108
D851,648	S *	6/2019	Tan	D14/440
D862,446	S *	10/2019	Jia	D14/250
D863,286	S *	10/2019	Hong	D14/250
D868,052	S *	11/2019	Jia	D14/250
D868,053	S *	11/2019	Gao	D14/250
D868,789	S *	12/2019	Weng	D14/440
D868,791	S *	12/2019	Weng	D14/440
D898,016	S *	10/2020	Liang	D14/250
D904,414	S *	12/2020	Hyun	D14/440
D923,616	S *	6/2021	Xie	D14/250
2012/0006950	A1 *	1/2012	Vandiver	F16M 11/105 248/176.3
2014/0262854	A1 *	9/2014	Chen	A45C 11/00 206/45.24
2014/0262855	A1 *	9/2014	Gandhi	A45C 11/00 206/45.24
2018/0041237	A1 *	2/2018	Mody	H04B 1/3877
2019/0068230	A1 *	2/2019	Sasaki	H04B 1/3888

* cited by examiner

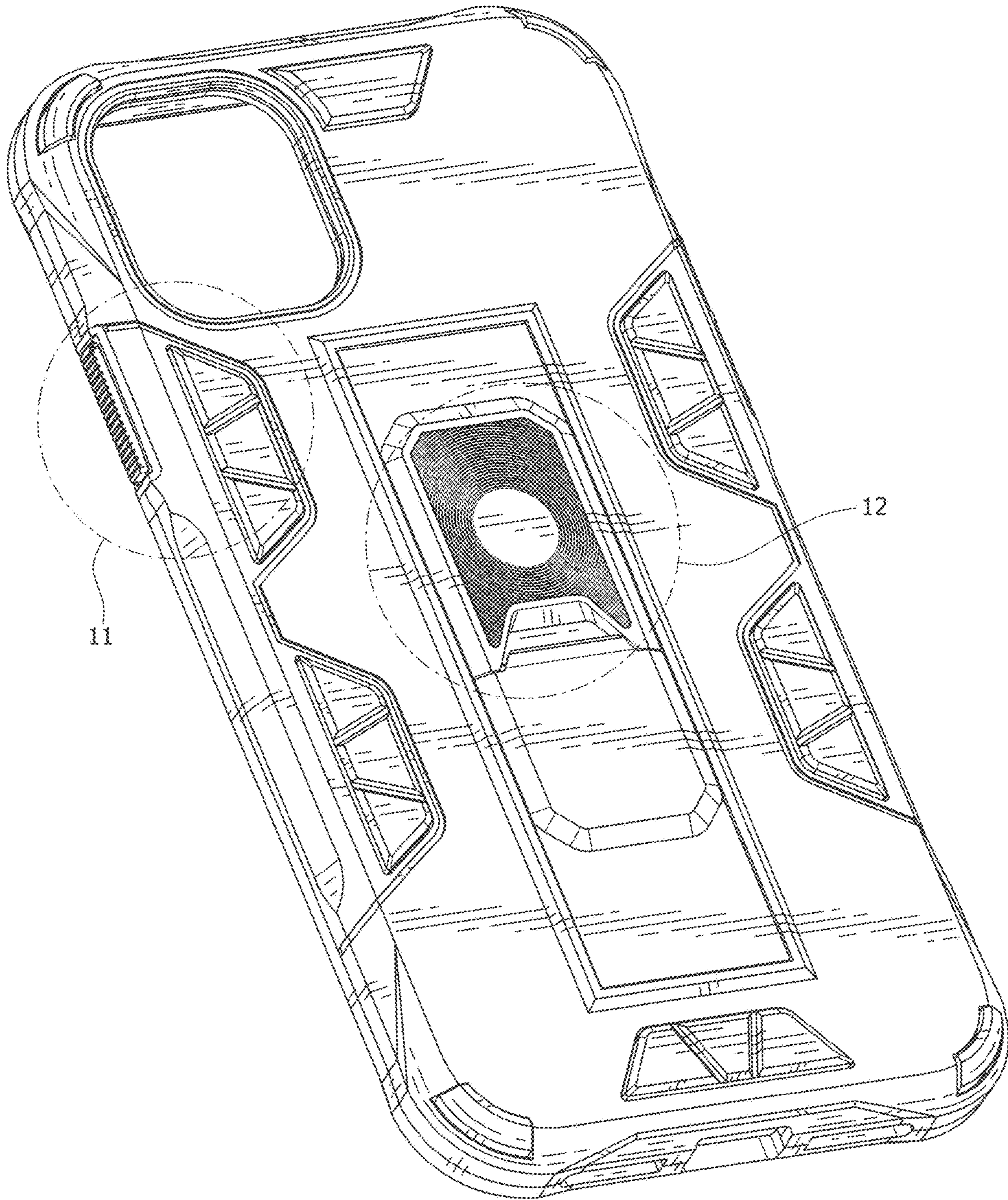


FIG. 1

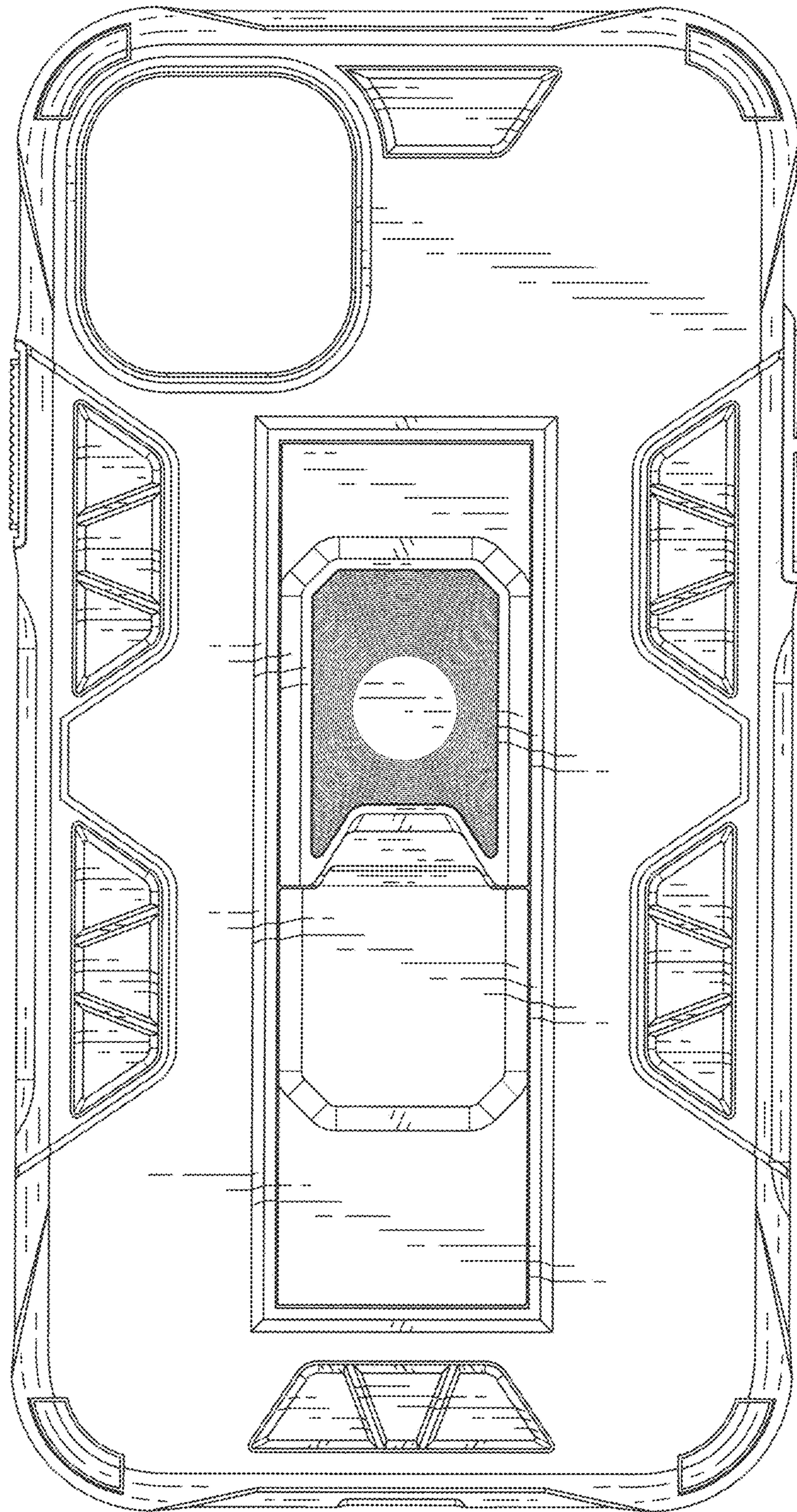


FIG. 2

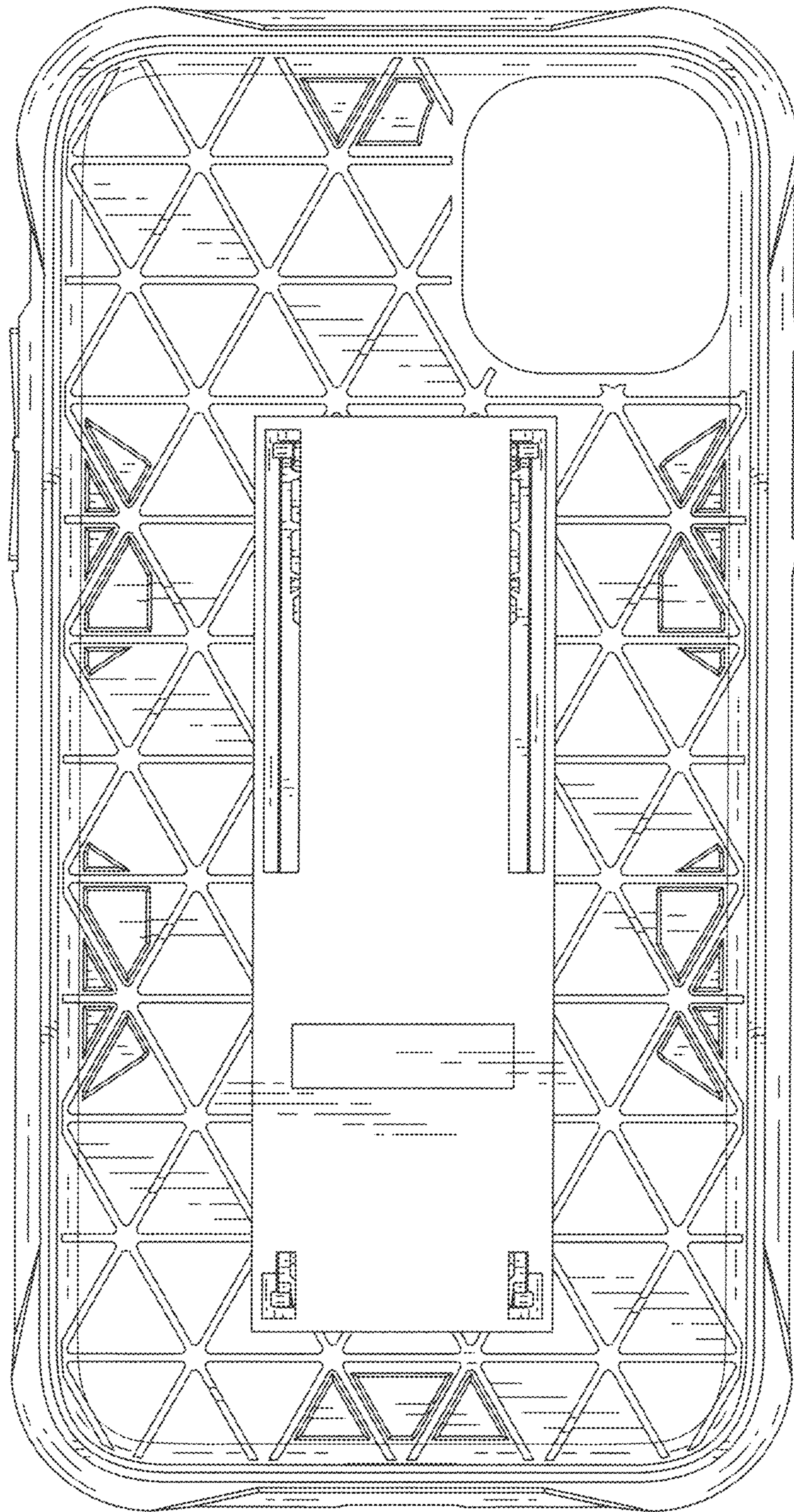


FIG. 3

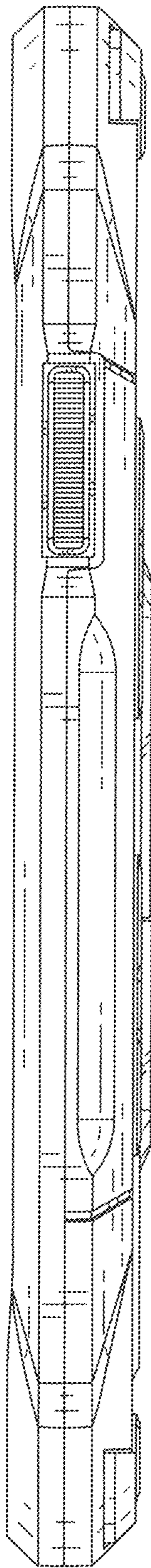


FIG. 4

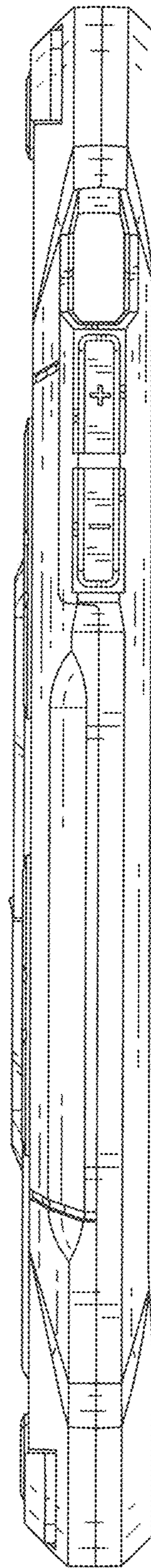


FIG. 5



FIG. 6

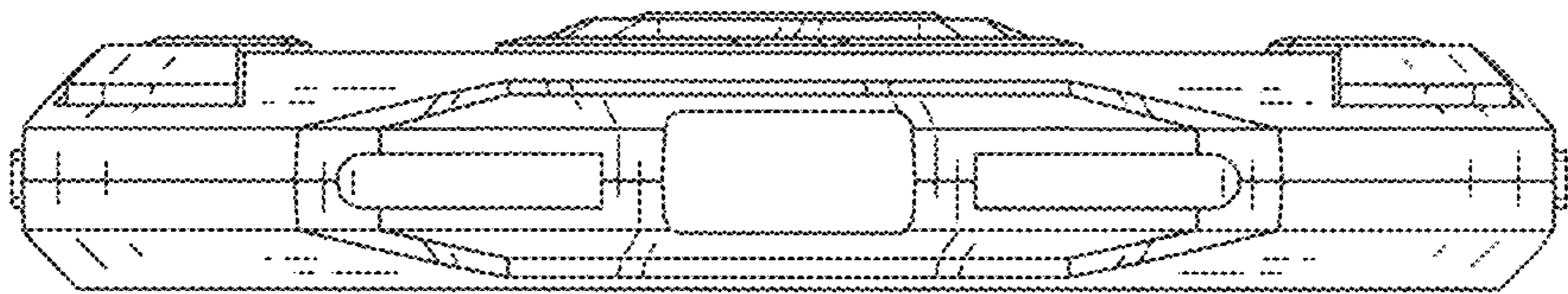


FIG. 7

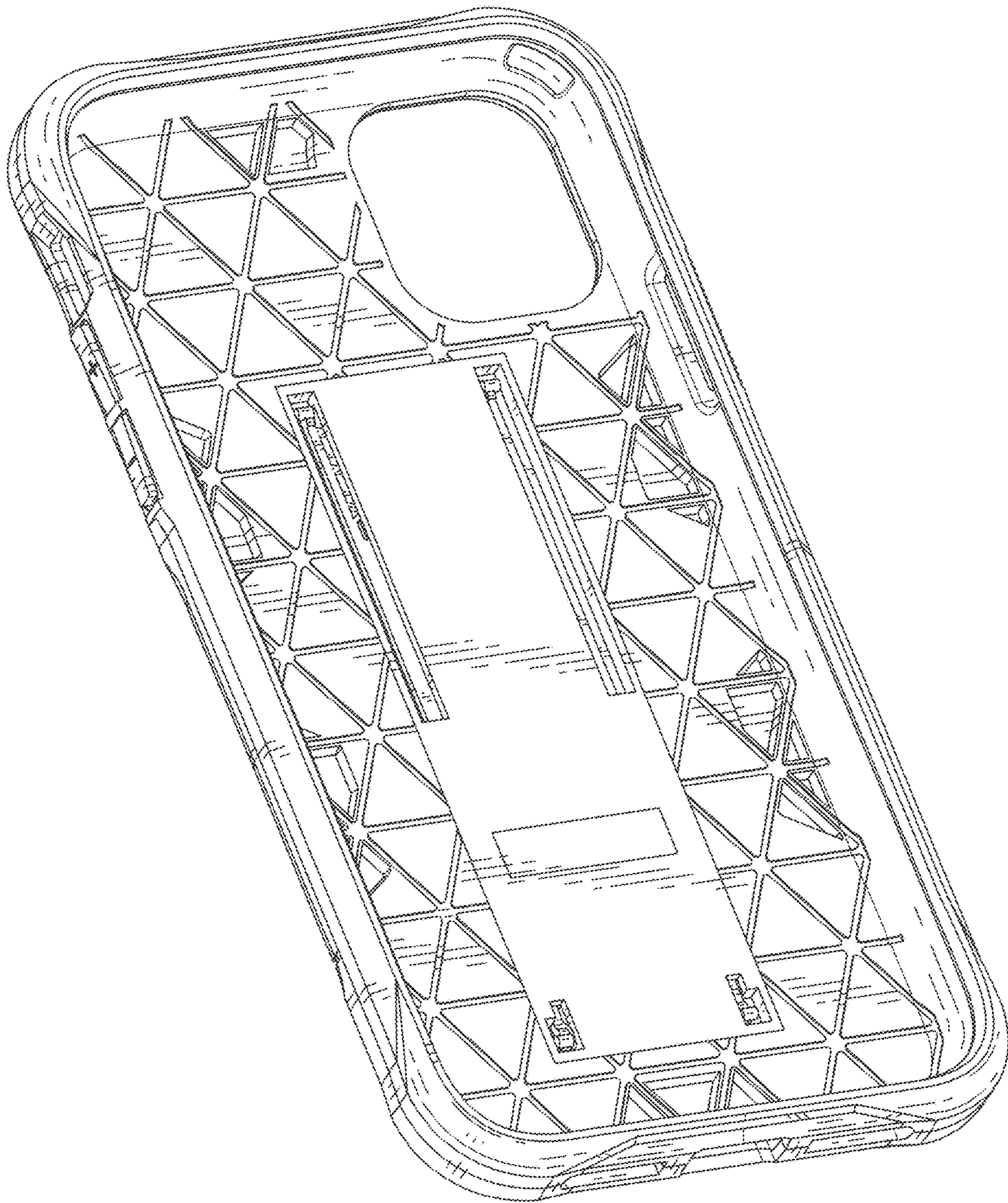


FIG. 8

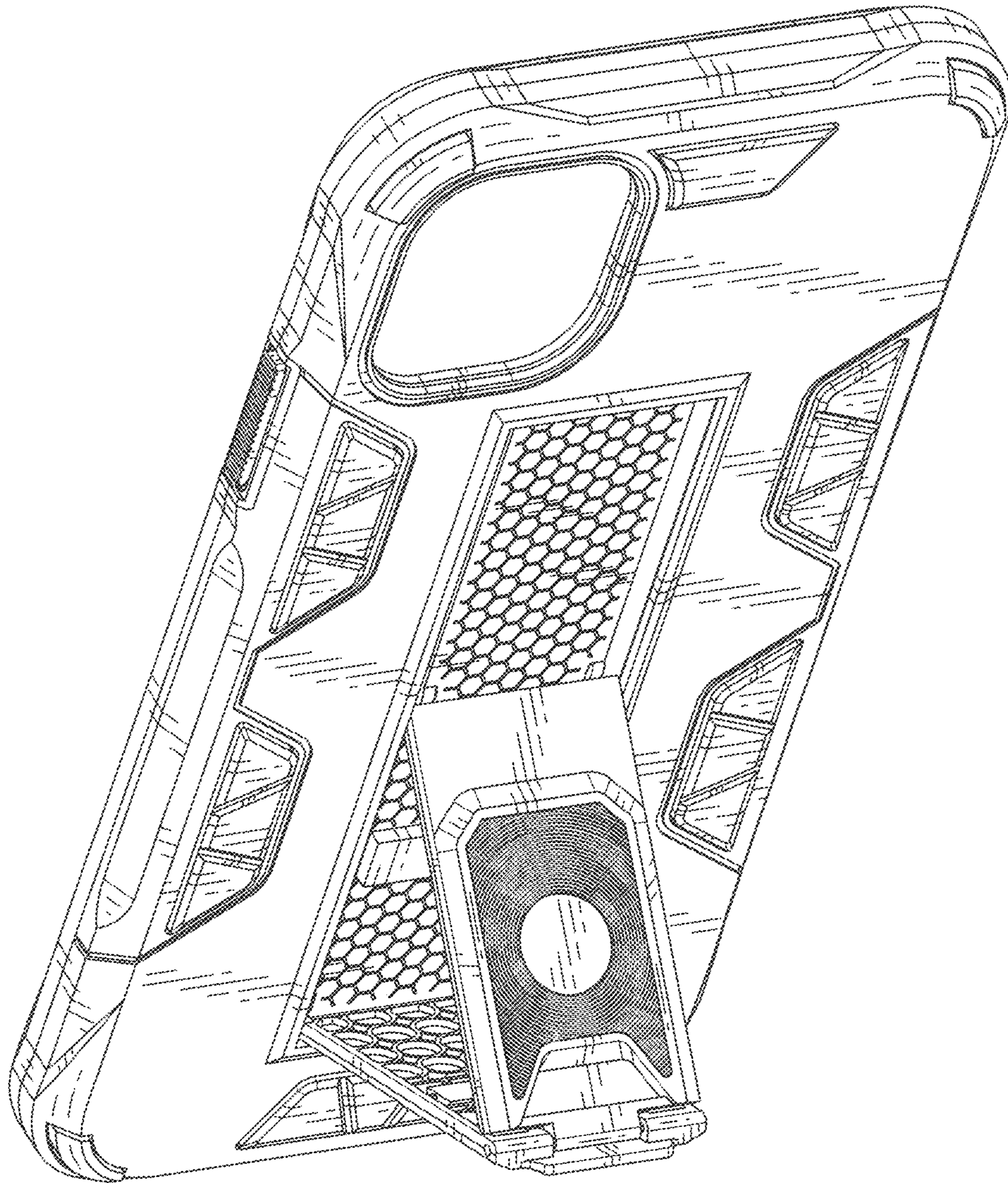


FIG. 9

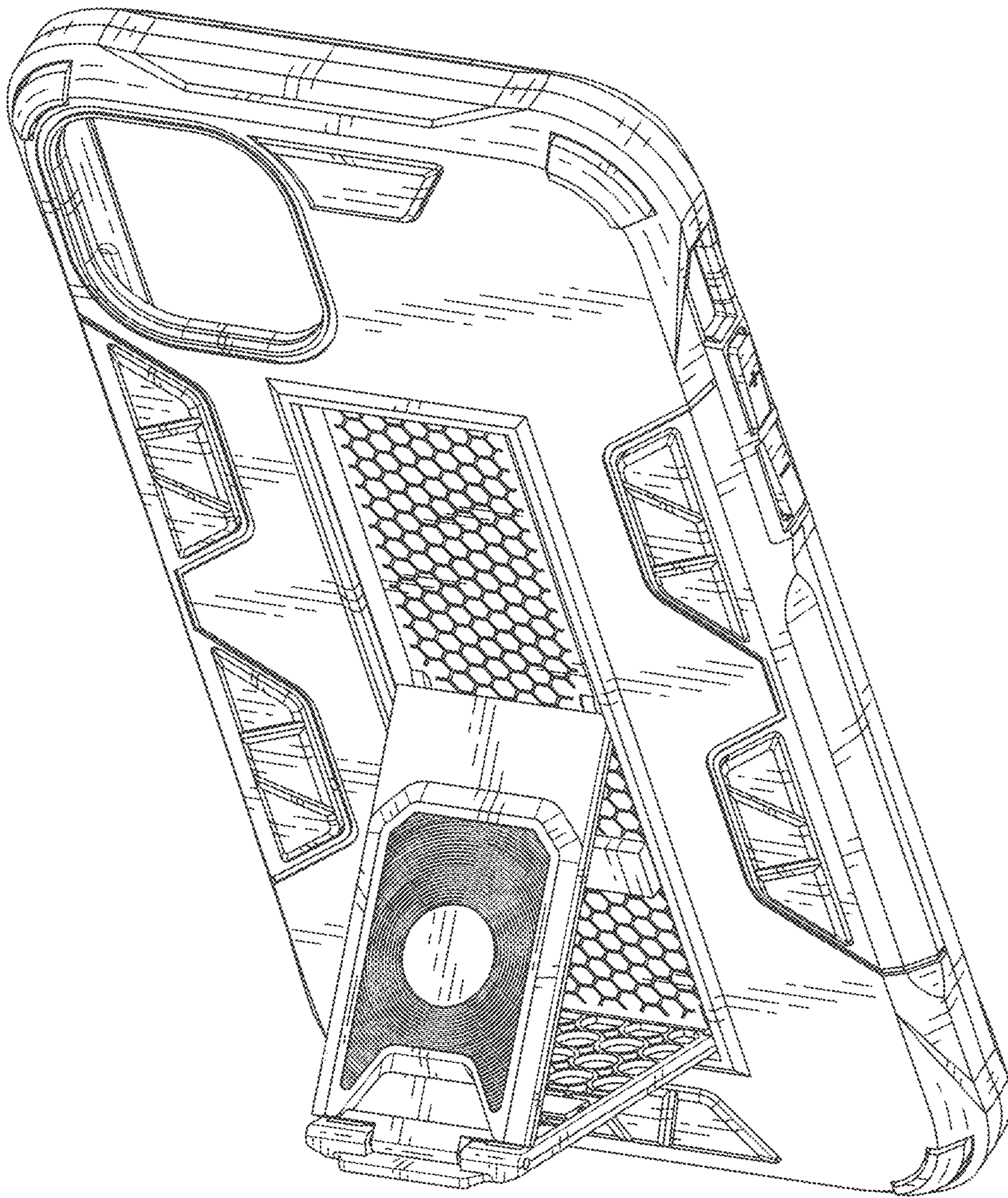


FIG. 10

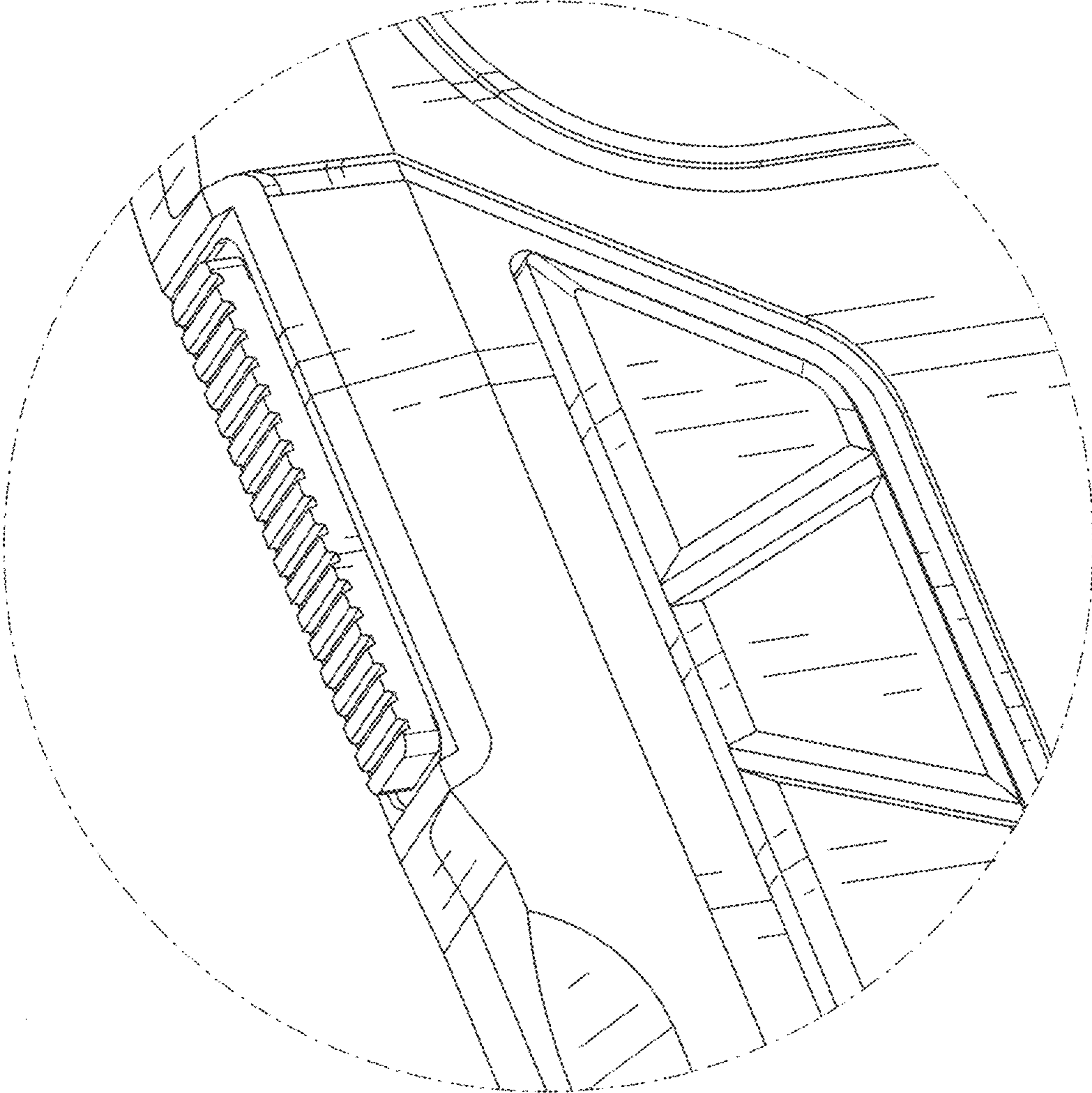


FIG. 11

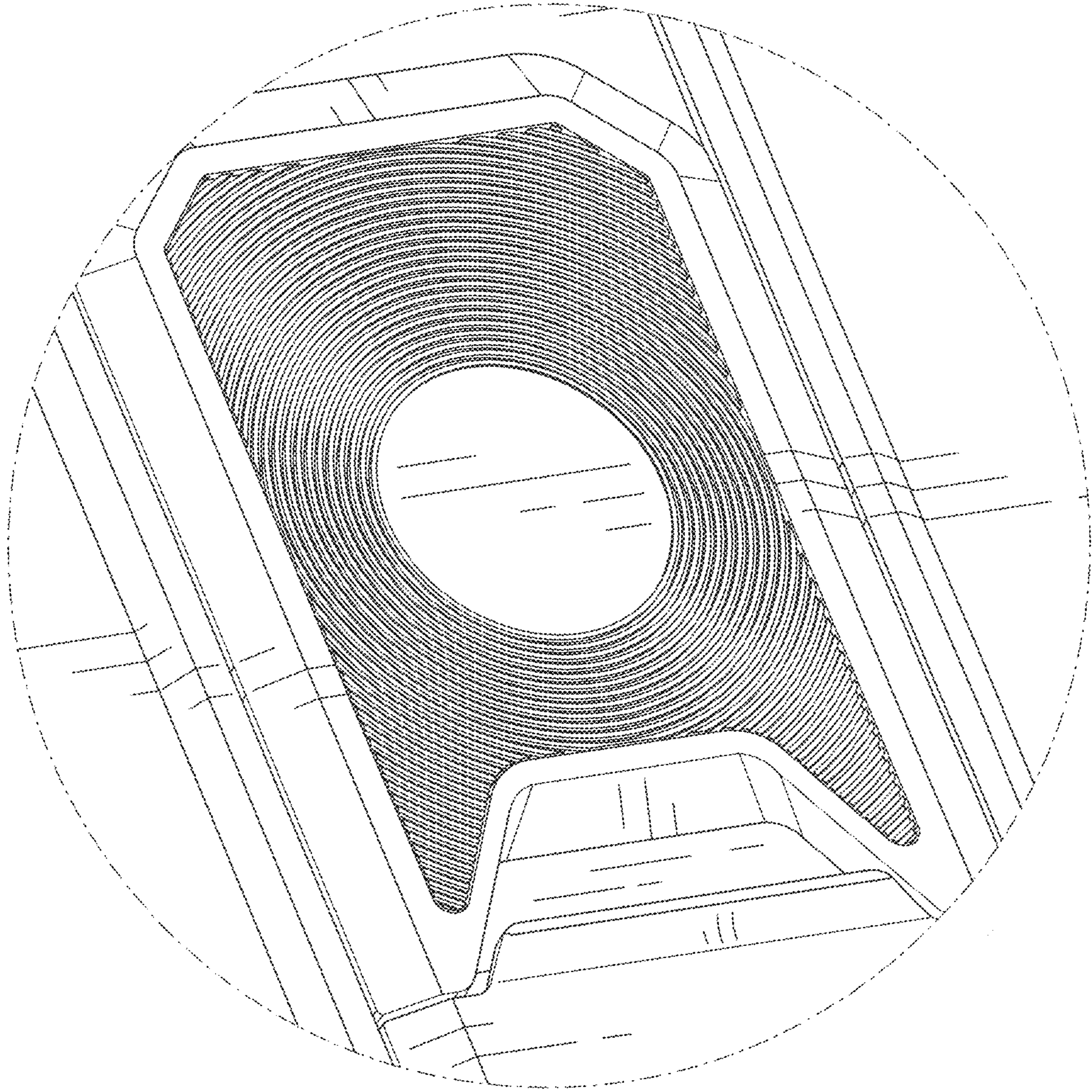


FIG. 12