



US00D934220S

(12) **United States Design Patent** (10) **Patent No.:** **US D934,220 S**
Chen (45) **Date of Patent:** **** Oct. 26, 2021**

(54) **CASE FOR ELECTRONIC DEVICE**

9,661,116 B1 * 5/2017 Chung A45C 11/00
D830,352 S * 10/2018 Chung D14/250
D836,620 S * 12/2018 Ehrlich D14/250
D850,434 S * 6/2019 Yun D14/250

(71) Applicant: **Dongguan Guevara Communication Technology Co., Ltd., Dongguan (CN)**

(72) Inventor: **Jinbao Chen, Dongguan (CN)**

OTHER PUBLICATIONS

(**) Term: **15 Years**

Toru CX Pro case for iPhone X/XS, publication date Sep. 10, 2017, [online] URL: <https://www.amazon.com/TORU-iPhone-Wallet-Hidden-Credit/dp/B075L3HXPX> (Year: 2017).*
WeLoveCase iPhone X and XS wallet case, publication date Nov. 9, 2017, [online] URL: <https://www.amazon.com/dp/B0779Q3LJH> (Year: 2017).*

(21) Appl. No.: **29/663,463**

(22) Filed: **Sep. 14, 2018**

(51) **LOC (13) Cl.** **14-03**

(52) **U.S. Cl.**

USPC **D14/250; D3/249**

(58) **Field of Classification Search**

USPC D3/201, 212, 218, 226, 227, 247, 249, D3/250, 269, 303; D13/103, 107, 108, D13/119; D14/128-130, 137, 138 R, D14/138 AA, 138 C, 138 G, 172, 192, D14/203.3-203.7, 217, 238.1, 247, 248, D14/250-253, 345, 420, 426, 427, 434, D14/440, 447, 496; D21/332
CPC H04B 1/3888; H04M 1/0283; H04M 1/0202; A45C 1/06; A45C 2011/002; A45C 11/00; A45F 2005/028; A45F 2200/0525

See application file for complete search history.

* cited by examiner

Primary Examiner — L. A. Grabenstetter

(74) *Attorney, Agent, or Firm* — Novoclaims Patent Services LLC; Mei Lin Wong

(57) **CLAIM**

The ornamental design for a case for electronic device, as shown and described.

DESCRIPTION

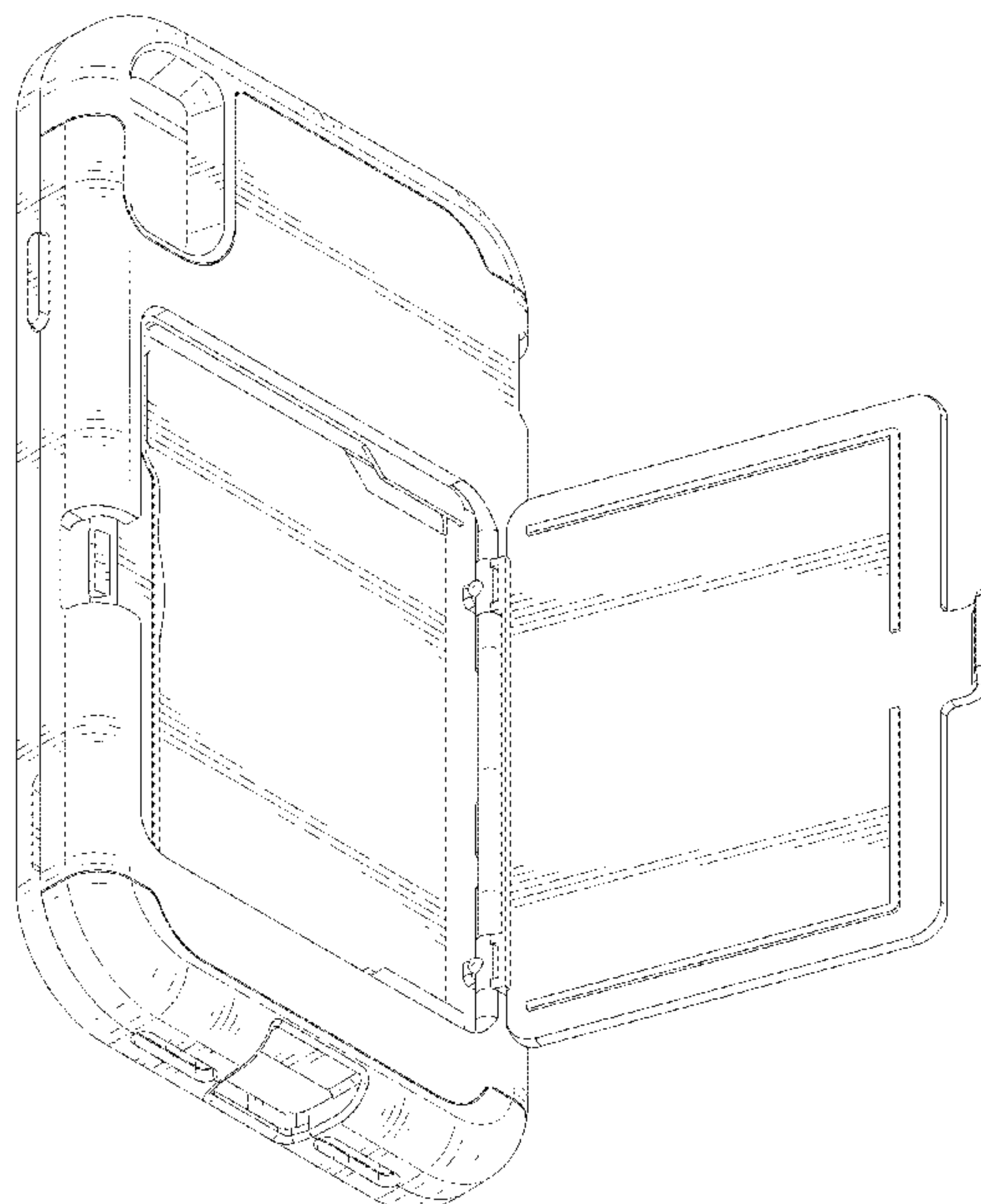
FIG. 1 is a front perspective view of a case for electronic device showing my new design;
FIG. 2 is a rear perspective view thereof;
FIG. 3 is a front view thereof;
FIG. 4 is a rear view thereof;
FIG. 5 is a left side view thereof;
FIG. 6 is a right side view thereof;
FIG. 7 is a top view thereof;
FIG. 8 is a bottom view thereof; and,
FIG. 9 is a rear perspective view thereof, showing an open condition of the rear cover.

(56) **References Cited**

U.S. PATENT DOCUMENTS

D624,064 S * 9/2010 Esposito D14/250
D680,522 S * 4/2013 Melanson D14/250
9,049,283 B1 * 6/2015 Kim H04B 1/3888
D759,004 S * 6/2016 Stevinson D14/250
D765,069 S * 8/2016 Jeffrey D14/250
D771,612 S * 11/2016 Roberts D14/250
D776,101 S * 1/2017 Poon D14/250
D776,646 S * 1/2017 Deng D14/250
D781,837 S * 3/2017 Kim D14/250

1 Claim, 9 Drawing Sheets



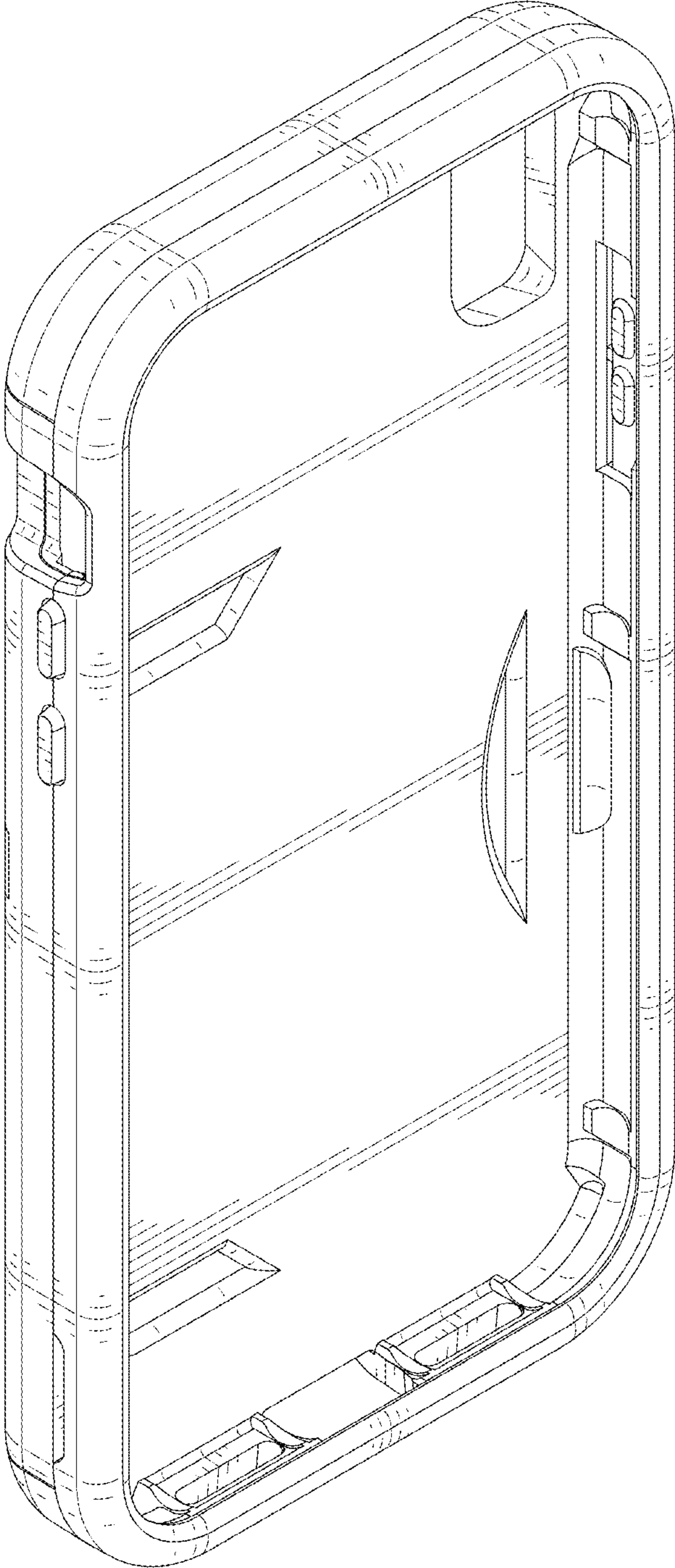


FIG.1

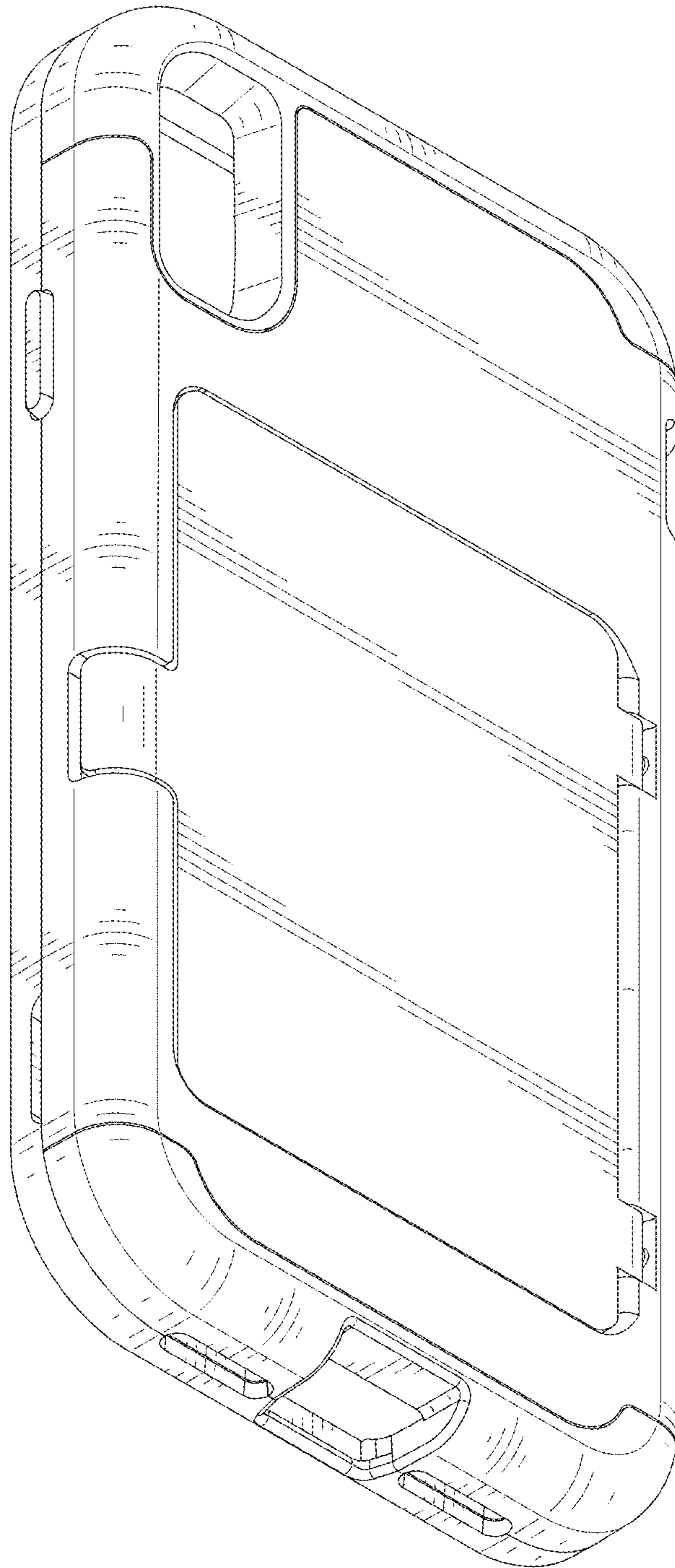


FIG.2

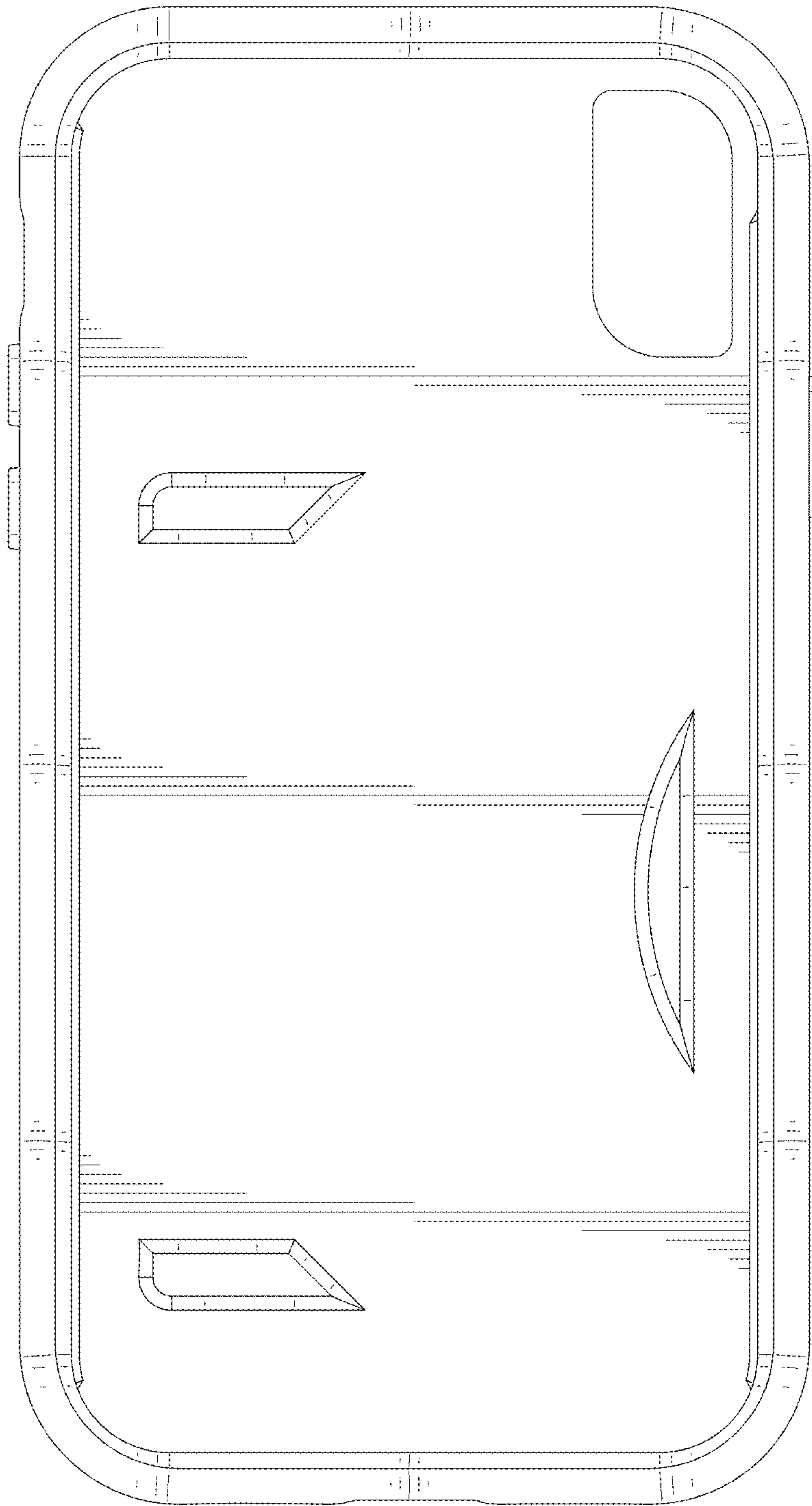


FIG.3

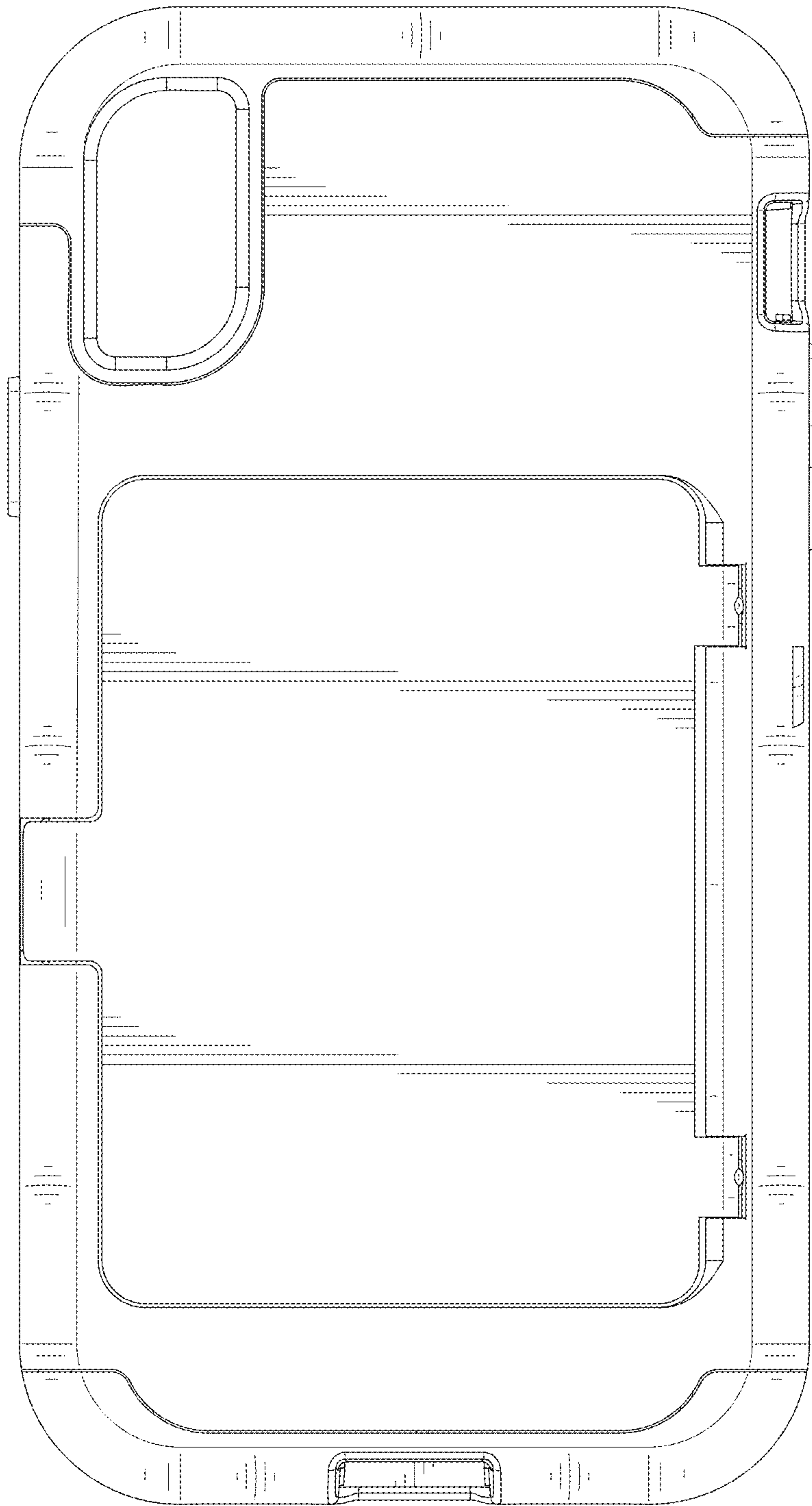


FIG.4

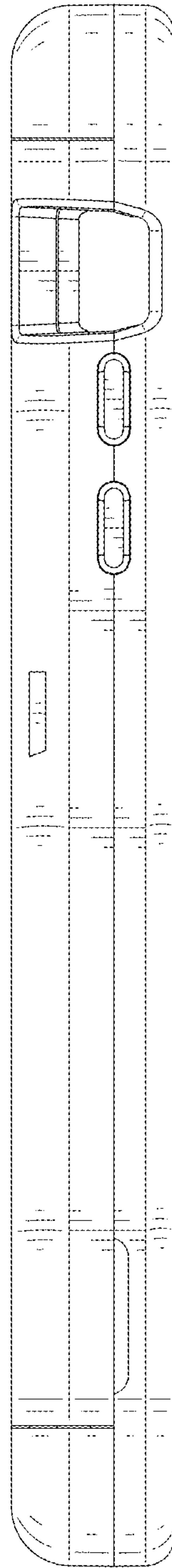


FIG.5

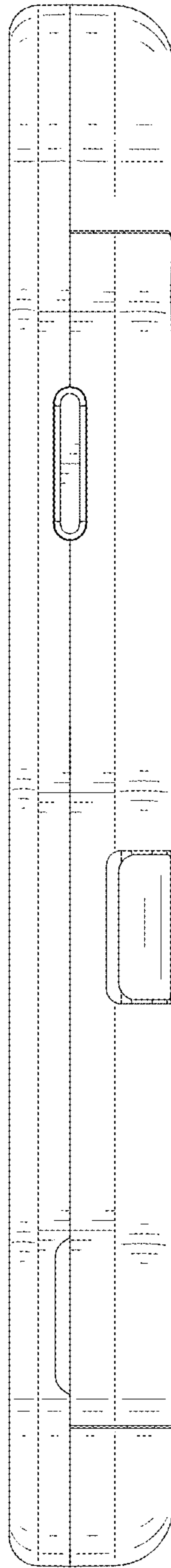


FIG.6

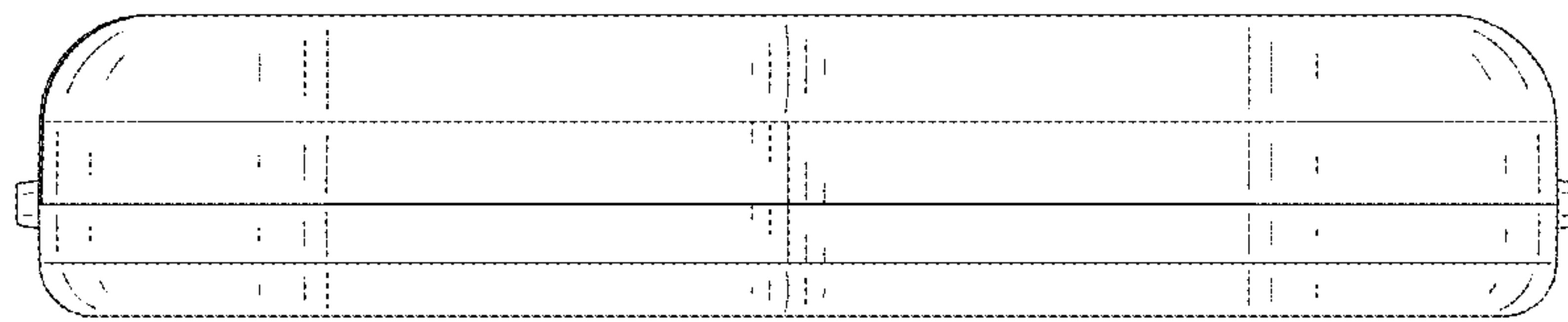


FIG.7

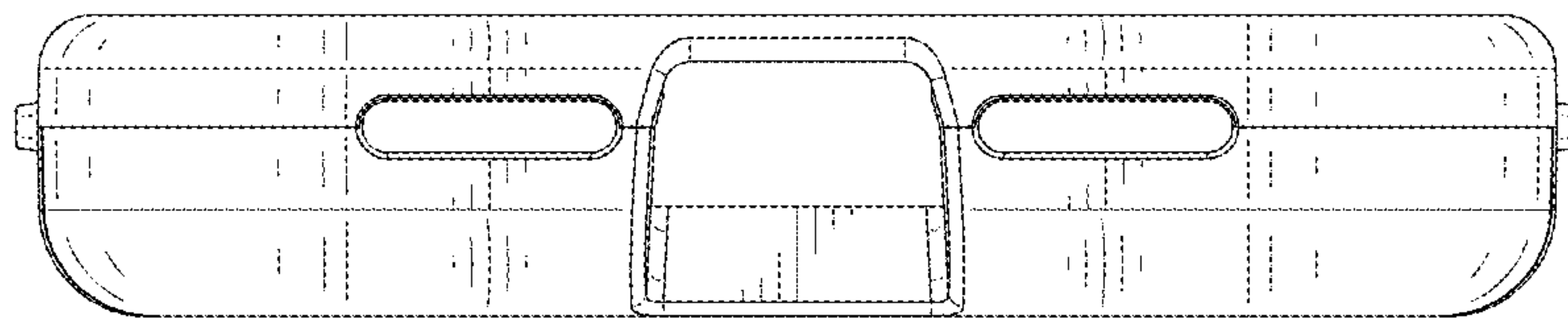


FIG.8

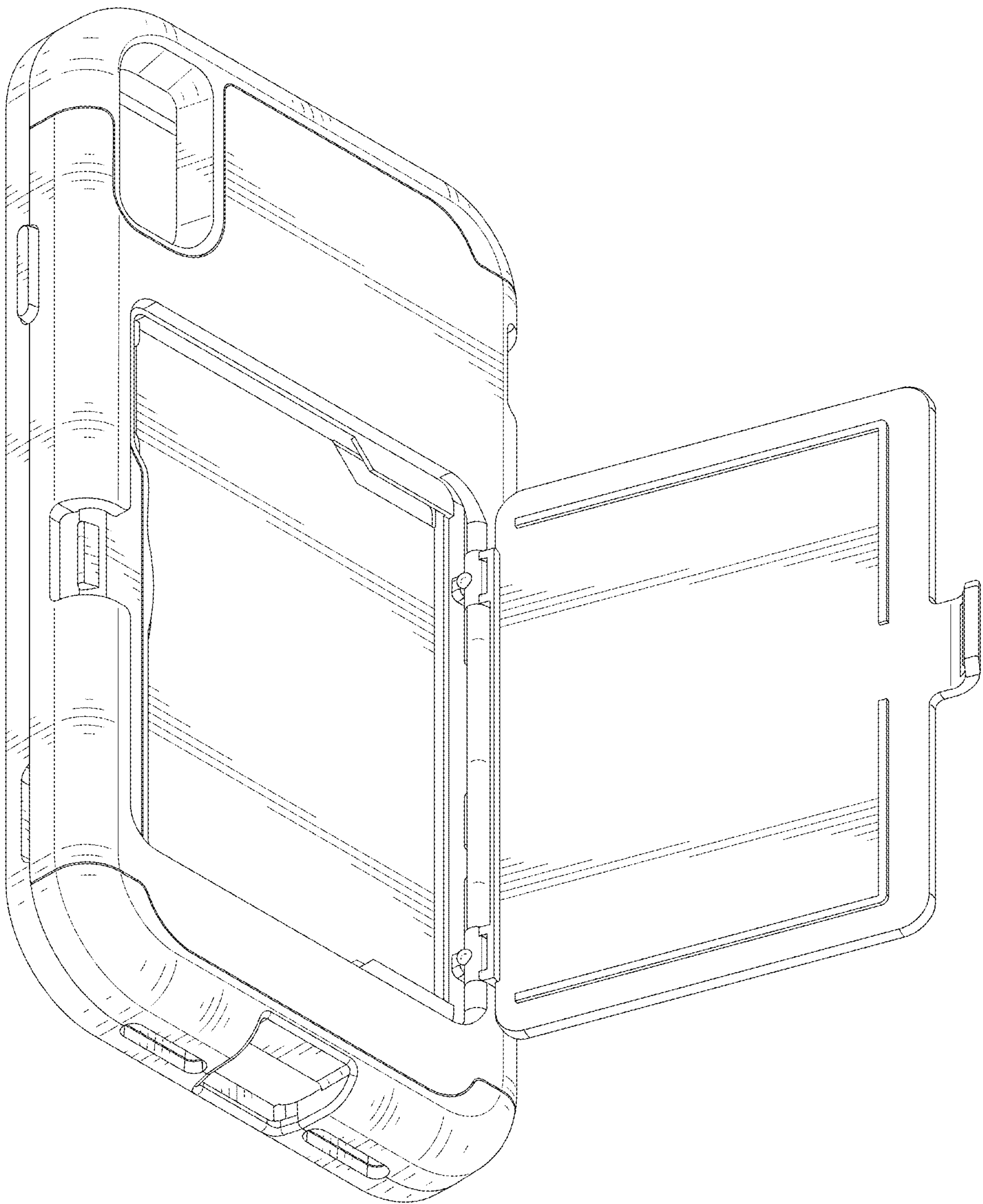


FIG.9