

US00D934211S

(12) **United States Design Patent** (10) **Patent No.:** **US D934,211 S**
Hamilton et al. (45) **Date of Patent:** **** *Oct. 26, 2021**

(54) **SIGNAL BOOSTER CASE**
(71) Applicant: **Wilson Electronics, LLC**, St. George, UT (US)
(72) Inventors: **Aaron Jay Hamilton**, Royce City, TX (US); **Scot Herbst**, Santa Cruz, CA (US); **Will Hunter**, Denver, CO (US); **Patrick Tufts**, Hamilton, OH (US); **Ellen Posch**, Cleveland Heights, OH (US)

(73) Assignee: **Wilson Electronics, LLC**, St. George, UT (US)

(*) Notice: This patent is subject to a terminal disclaimer.

(**) Term: **15 Years**

(21) Appl. No.: **29/686,188**

(22) Filed: **Apr. 2, 2019**

(51) **LOC (13) Cl.** **14-03**

(52) **U.S. Cl.**
USPC **D14/240**; D14/358; D14/217

(58) **Field of Classification Search**
USPC D14/240, 242, 243, 251–254, 341, 343, D14/355, 356, 357, 358, 432, 433, 434, D14/439, 172, 155, 188, 203.1, 203.3, D14/203.4, 203.6, 217, 496; D13/107, D13/108, 110
CPC H04L 2/00; H03K 17/00; H04W 88/00; H04W 88/005; H04W 88/02; H04W 88/08; H04W 88/085; H04W 88/10; H04W 88/12; H04W 88/14; H04B 1/38
See application file for complete search history.

(56) **References Cited**

U.S. PATENT DOCUMENTS

D327,072 S * 6/1992 Christie D14/188
D454,110 S * 3/2002 Andre D13/110

D520,502 S * 5/2006 Xu D14/356
D523,014 S * 6/2006 Liu D14/240
D536,333 S * 2/2007 McRae D14/240
D542,784 S * 5/2007 Franck D14/240
D549,193 S * 8/2007 Gomes, II D14/126
D570,846 S * 6/2008 Liu D14/433
D579,931 S * 11/2008 Chang D14/242
D641,343 S * 7/2011 Kim D14/240
D669,072 S * 10/2012 Huang D14/356

(Continued)

OTHER PUBLICATIONS

“Next Generation of Cell Phone Signal Boosters for Home Arrives with weBoost Home MultiRoom and Home Complete,” Wilson weBoost Multiroom & Home Complete pictured therein, online, post date Aug. 29, 2019, URL: <https://www.wilsonamplifiers.com/blog/weboost-home-multiroom-weboost-home-complete-launch/>, retrieved Aug. 14, 2020.*

Primary Examiner — Jeffrey D Asch

Assistant Examiner — Rebekah A Caruso

(74) *Attorney, Agent, or Firm* — Jones Waldo Holbrook & McDonough, PC; Brent T. Winder

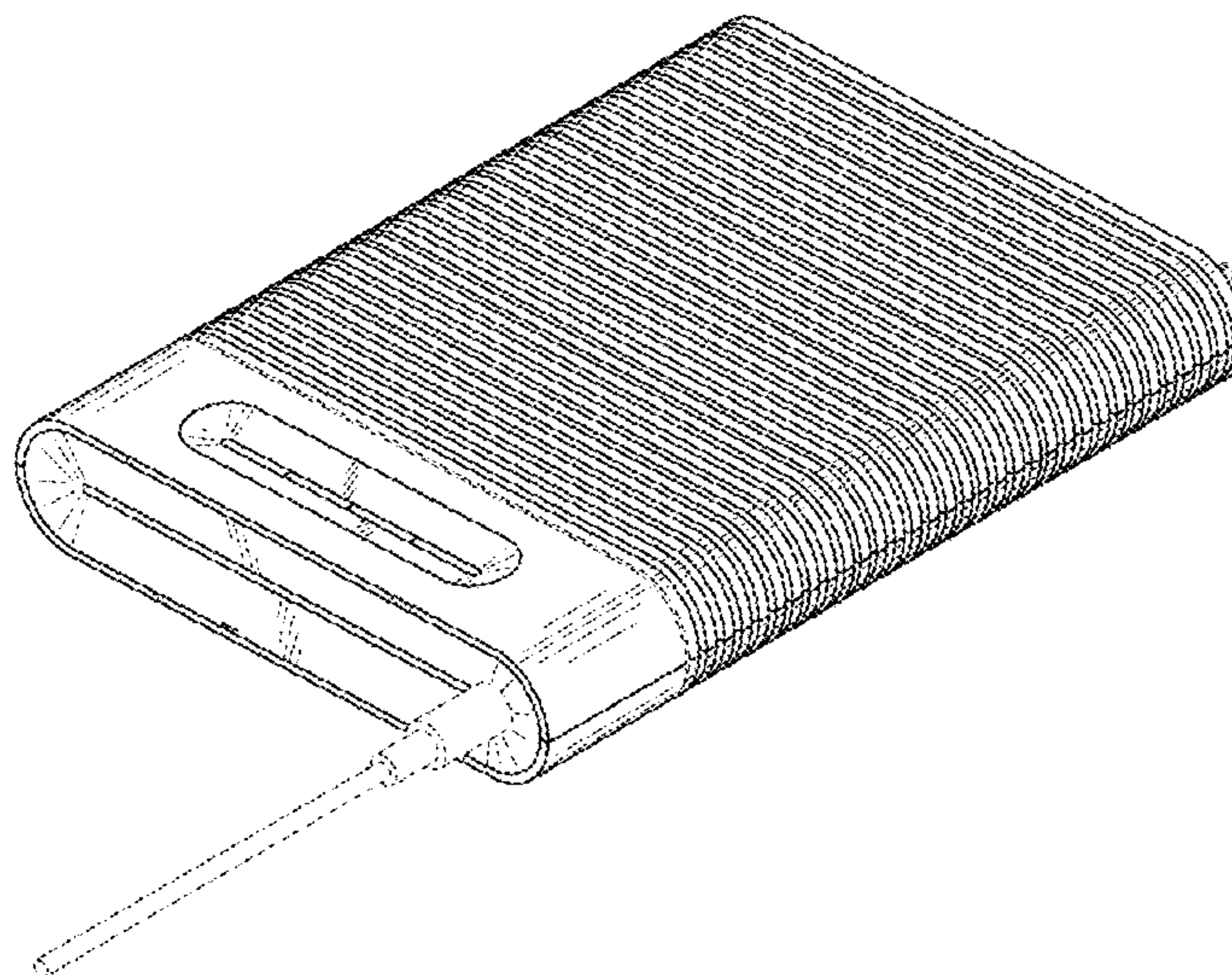
(57) **CLAIM**

The ornamental design for a signal booster case, as shown and described.

DESCRIPTION

FIG. 1 is a top perspective view of the presently claimed design.
FIG. 2 is a side view of the presently claimed design.
FIG. 3 is an opposite side view of the presently claimed design.
FIG. 4 is a front view of the presently claimed design.
FIG. 5 is a rear view of the presently claimed design.
FIG. 6 is a top view of the presently claimed design.
FIG. 7 is a bottom view of the presently claimed design; and, FIG. 8 is a bottom perspective view of the presently claimed design.

1 Claim, 6 Drawing Sheets



(56)

References Cited

U.S. PATENT DOCUMENTS

D819,001	S	*	5/2018	Lee	D14/240
D823,243	S	*	7/2018	Toscani	D13/107
D829,719	S	*	10/2018	Shim	D14/435
D837,790	S	*	1/2019	Wu	D14/435
D838,254	S	*	1/2019	McManigal	D14/204
D867,280	S	*	11/2019	Chen	D13/103
D875,036	S	*	2/2020	Gan	D13/103

* cited by examiner

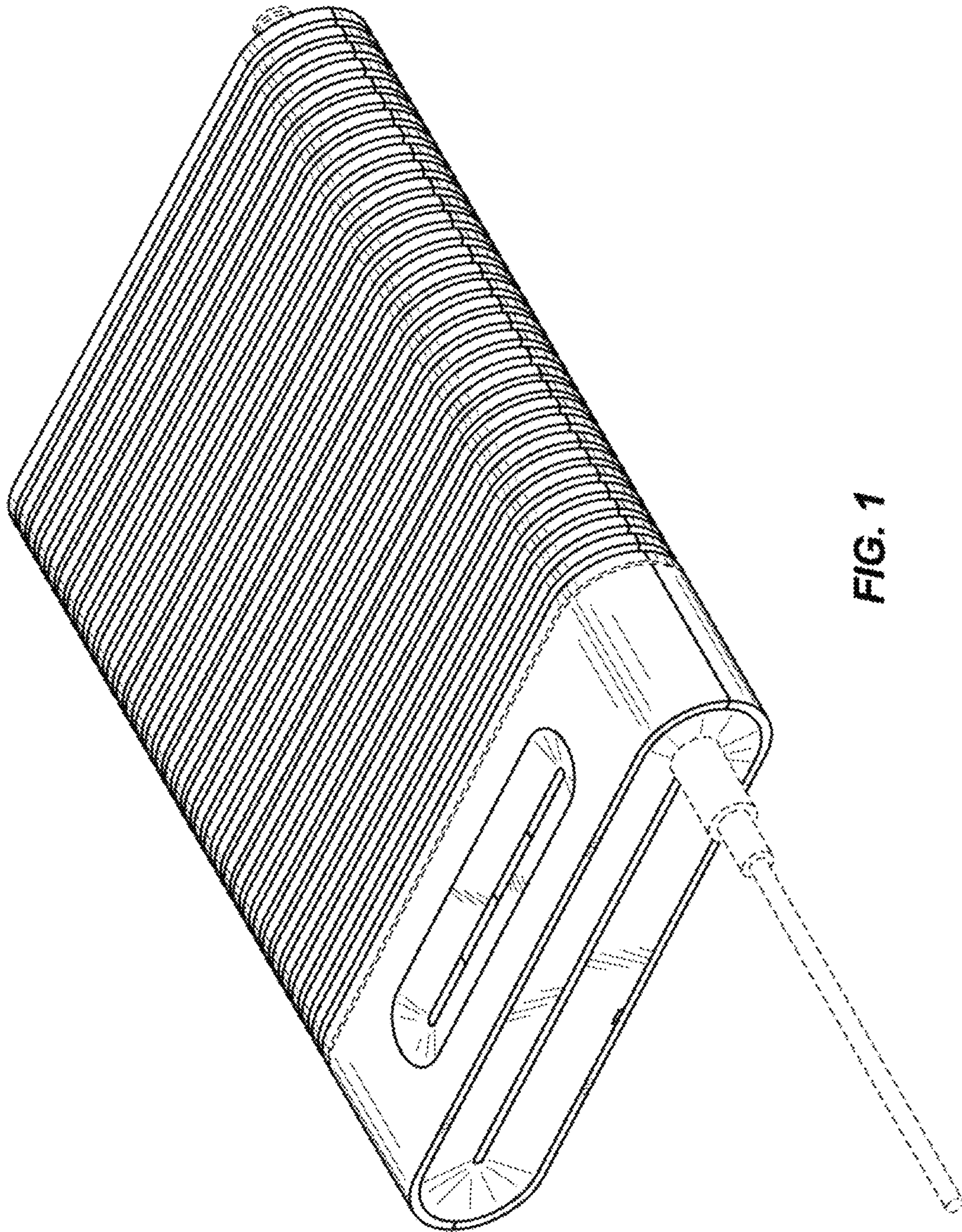


FIG. 1

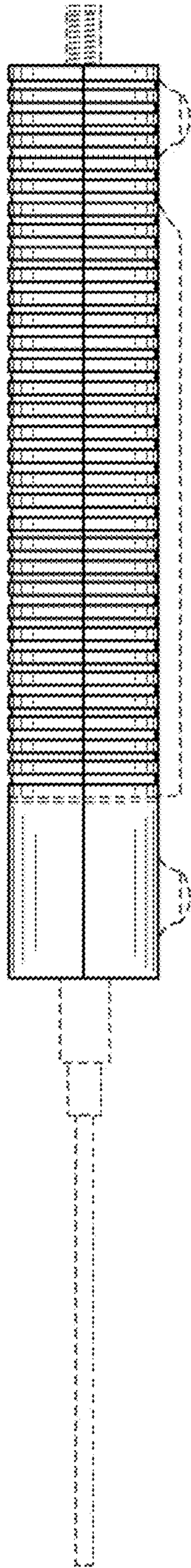


FIG. 2

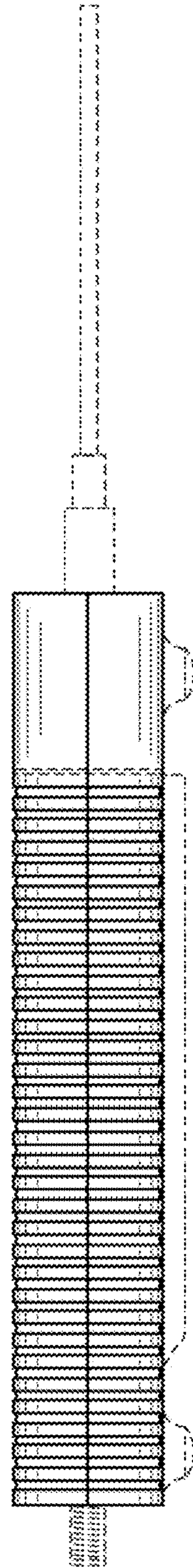


FIG. 3

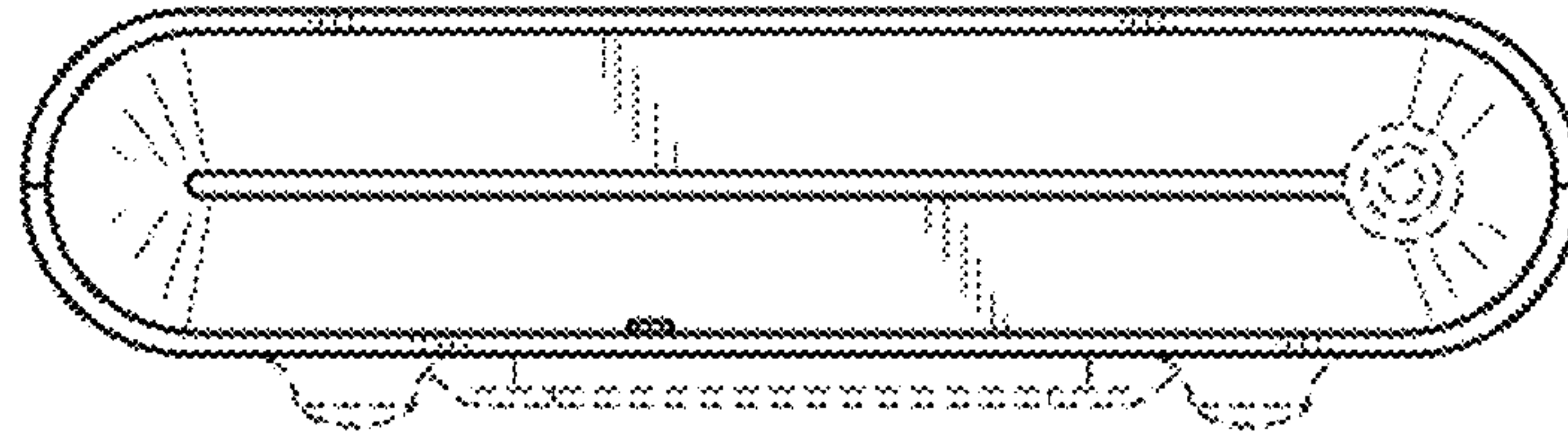


FIG. 4

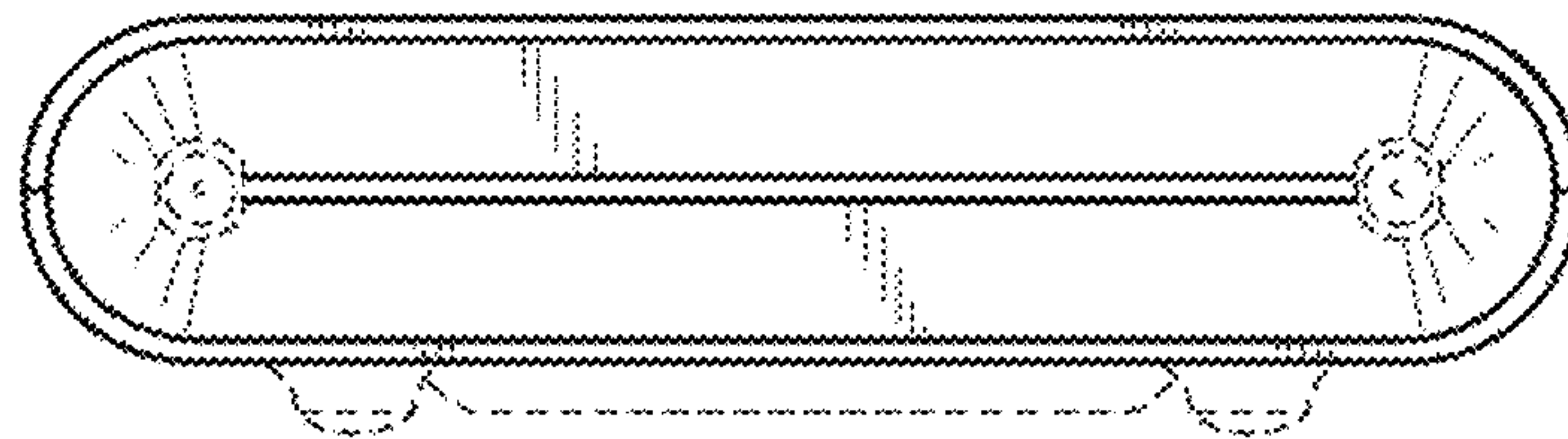


FIG. 5

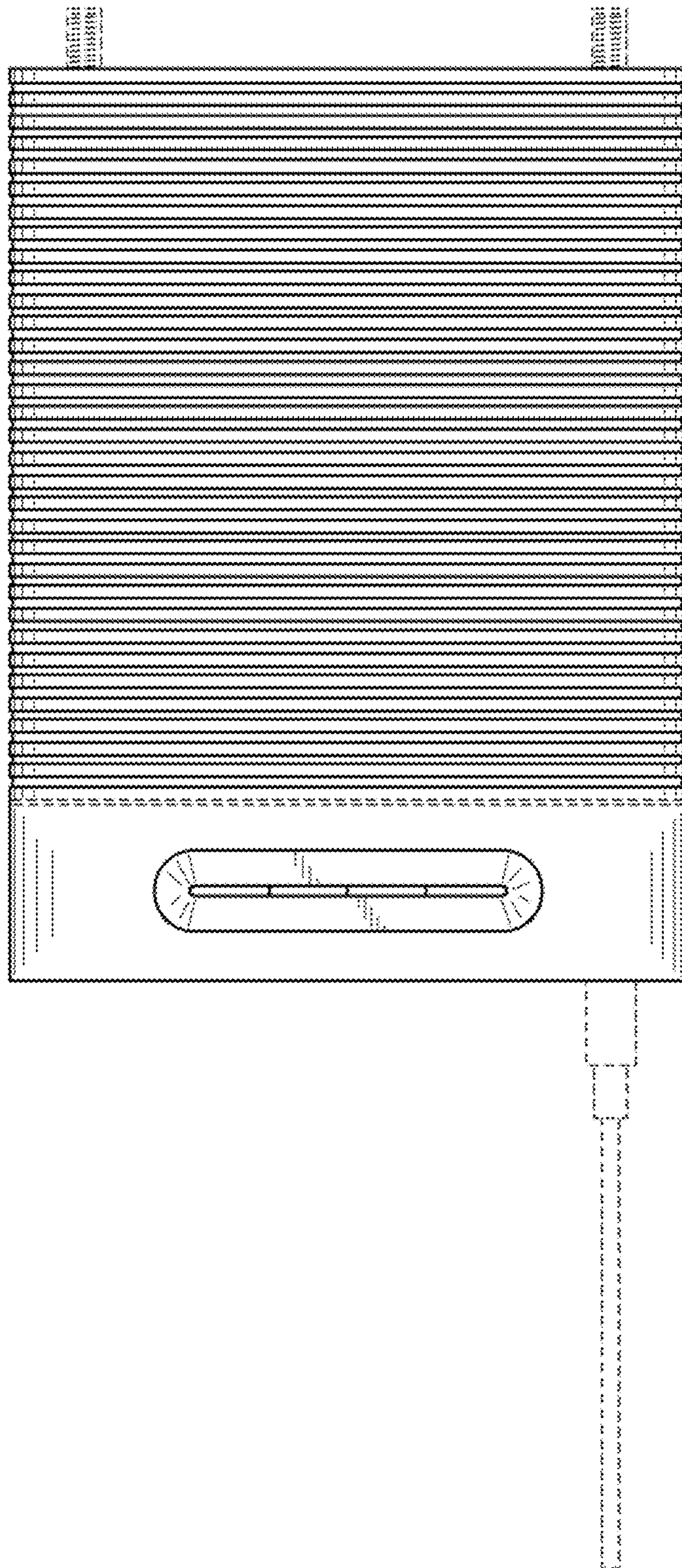


FIG. 6

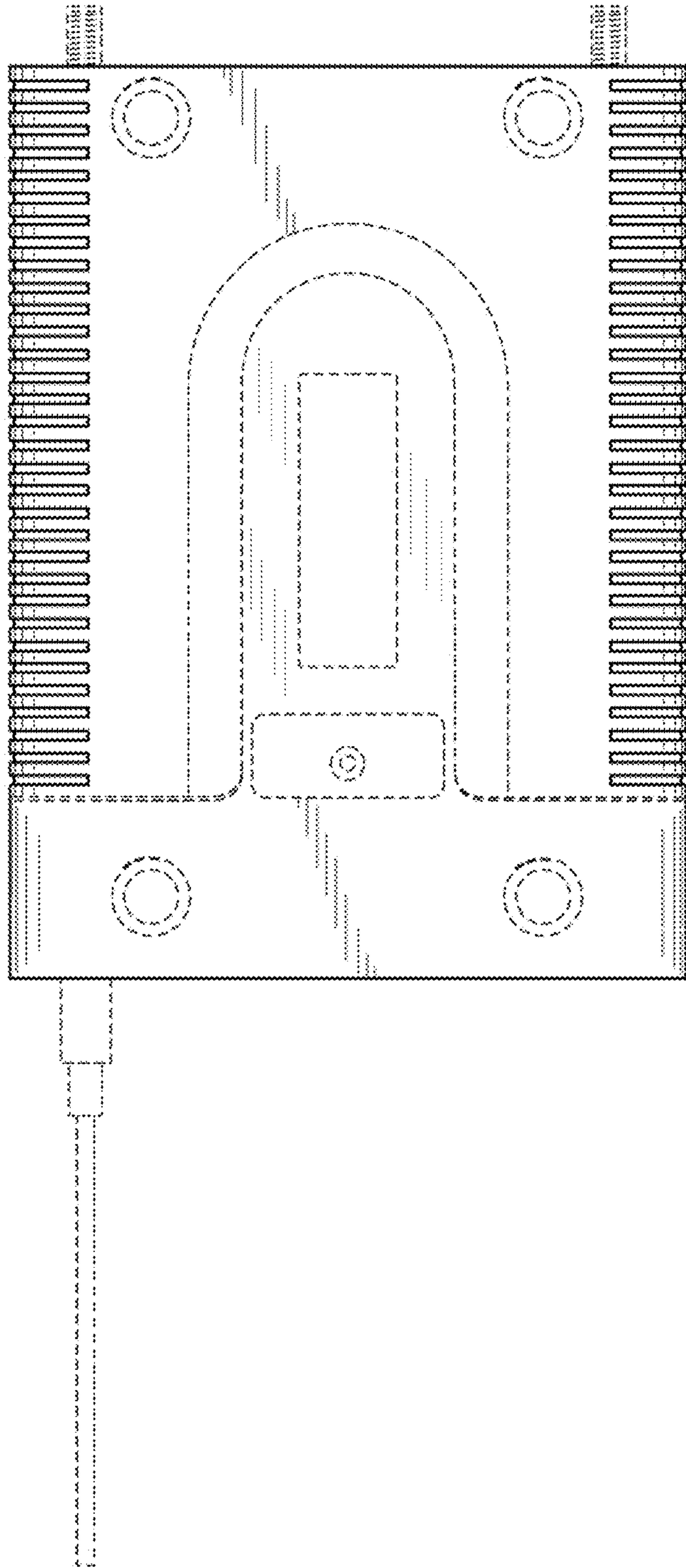


FIG. 7

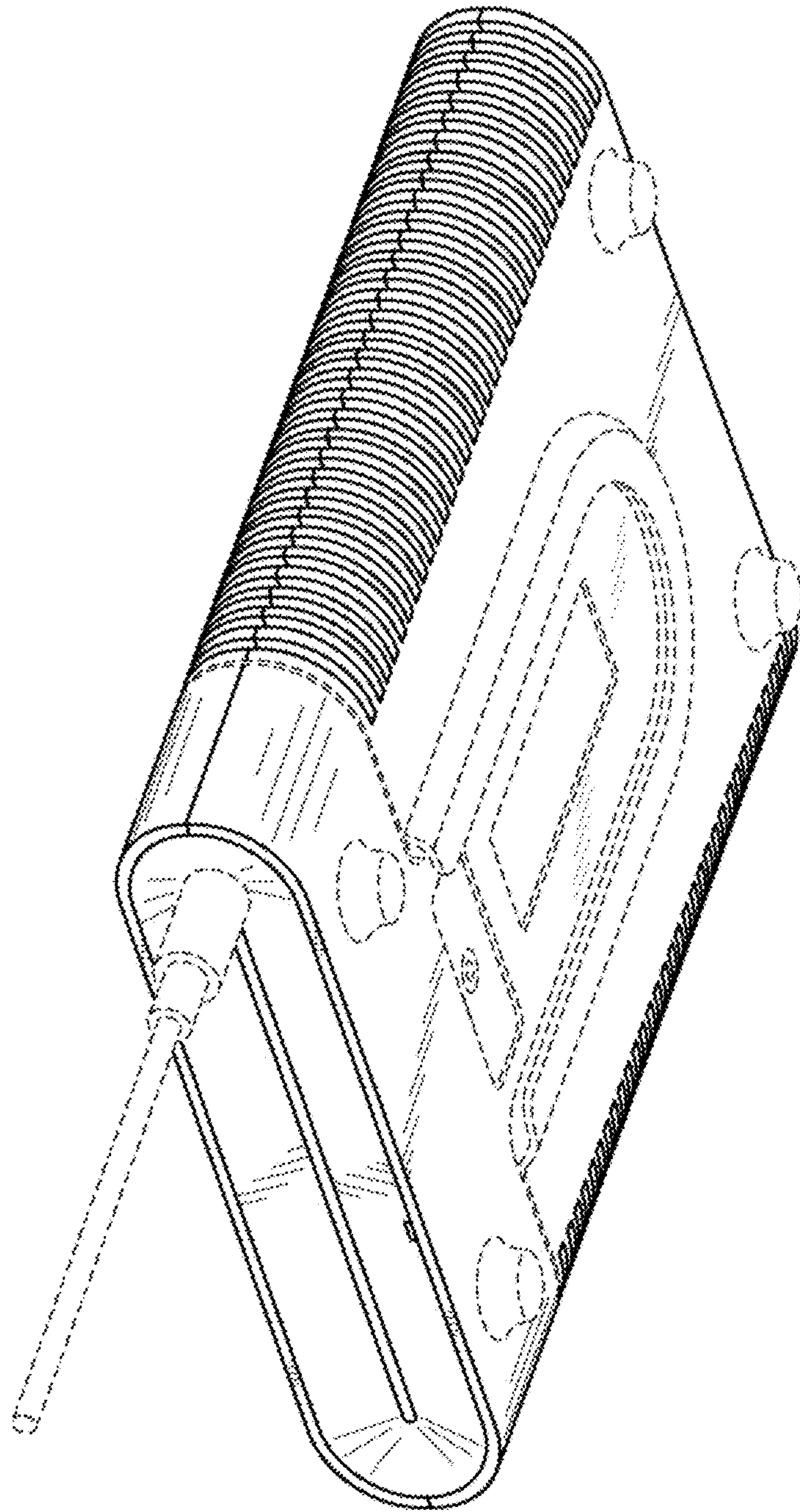


FIG. 8