



US00D934210S

(12) **United States Design Patent**
Shelby et al.

(10) **Patent No.:** **US D934,210 S**

(45) **Date of Patent:** **** *Oct. 26, 2021**

(54) **SIGNAL BOOSTER CASE**

(71) Applicant: **Wilson Electronics, LLC**, St. George, UT (US)

(72) Inventors: **Jason Christopher Shelby**, St. George, UT (US); **Scot Herbst**, Santa Cruz, CA (US); **Will Hunter**, Denver, CO (US); **Patrick Tufts**, Hamilton, OH (US); **Ellen Posch**, Cleveland Heights, OH (US)

(*) Notice: This patent is subject to a terminal disclaimer.

(**) Term: **15 Years**

(21) Appl. No.: **29/686,185**

(22) Filed: **Apr. 2, 2019**

(51) **LOC (13) Cl.** **14-03**

(52) **U.S. Cl.**
USPC **D14/240**; D14/358; D14/217

(58) **Field of Classification Search**
USPC D14/240, 242, 243, 251–254, 341, 343, D14/355, 356, 357, 358, 432, 433, 434, D14/439, 172, 155, 188, 203.1, 203.3, D14/203.4, 203.6, 217, 496; D13/107, D13/108, 110

CPC H03K 17/00; H04W 88/00; H04W 88/005; H04W 88/02; H04W 88/08; H04W 88/085; H04W 88/10; H04W 88/12; H04W 88/14; H04B 1/38

See application file for complete search history.

(56) **References Cited**

U.S. PATENT DOCUMENTS

D327,072 S *	6/1992	Christie	D14/188
D454,110 S *	3/2002	Andre	D13/110
D520,502 S *	5/2006	Xu	D14/356
D523,014 S *	6/2006	Liu	D14/240
D536,333 S *	2/2007	McRae	D14/240

D542,784 S *	5/2007	Franck	D14/240
D549,193 S *	8/2007	Gomes, II	D14/126
D570,846 S *	6/2008	Liu	D14/433
D579,931 S *	11/2008	Chang	D14/242
D641,343 S *	7/2011	Kim	D14/240
D669,072 S *	10/2012	Huang	D14/356
D819,001 S *	5/2018	Lee	D14/240
D823,243 S *	7/2018	Toscani	D13/107

(Continued)

OTHER PUBLICATIONS

“Next Generation of Cell Phone Signal Boosters for Home Arrives with weBoost Home MultiRoom and Home Complete,” Wilson weBoost Multiroom & Home Complete pictured therein, online, post date Aug. 29, 2019, URL: <https://www.wilsonamplifiers.com/blog/weboost-home-multiroom-weboost-home-complete-launch/>, retrieved Aug. 14, 2020.*

Primary Examiner — Rebekah A Caruso

(74) *Attorney, Agent, or Firm* — Jones Waldo Holbrook & McDonough, PC; Brent T. Winder

(57) **CLAIM**

The ornamental design for a signal booster case, as shown and described.

DESCRIPTION

FIG. 1 is a bottom perspective view of the presently claimed design.

FIG. 2 is a side view of the presently claimed design.

FIG. 3 is an opposite side view of the presently claimed design.

FIG. 4 is a front view of the presently claimed design.

FIG. 5 is a rear view of the presently claimed design.

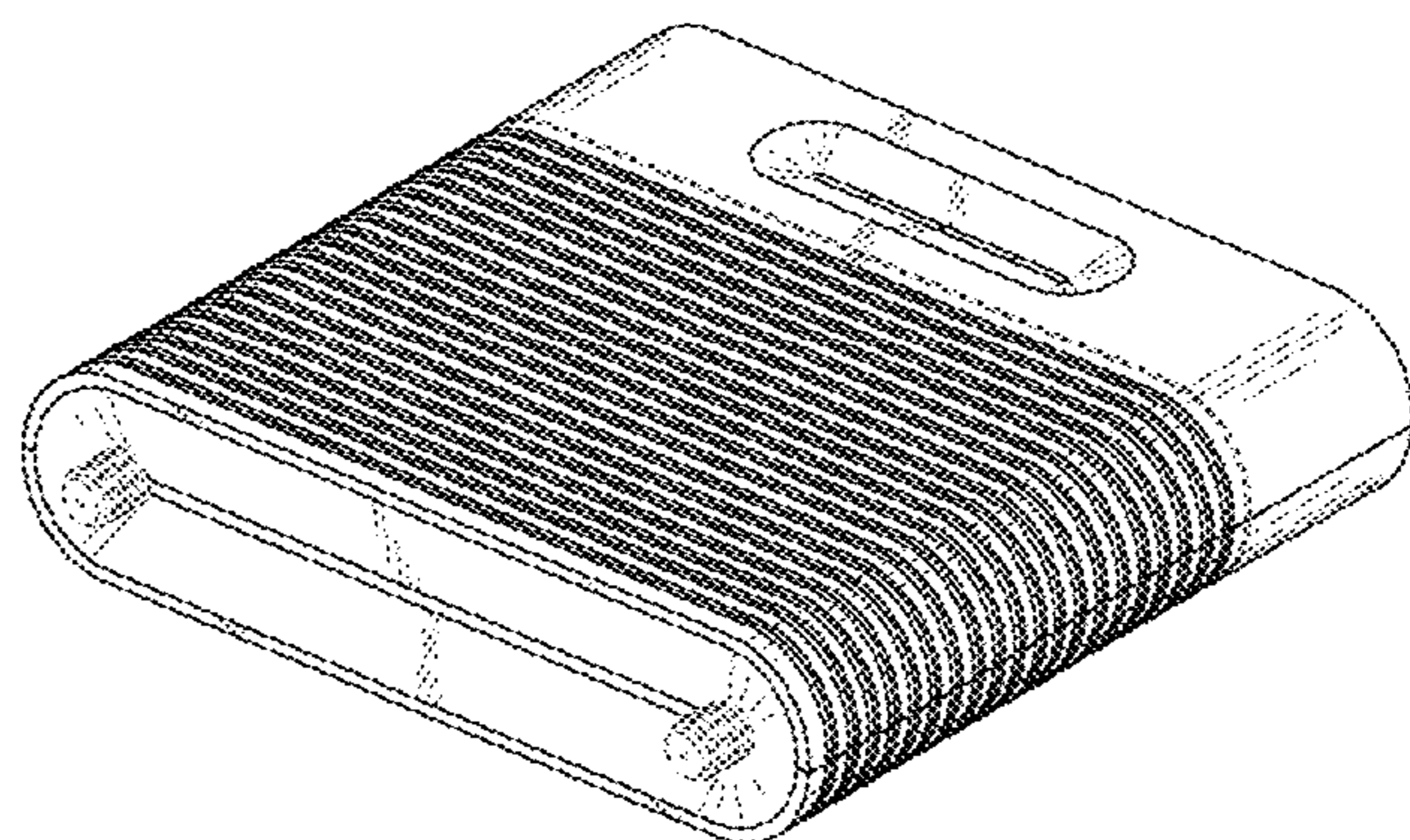
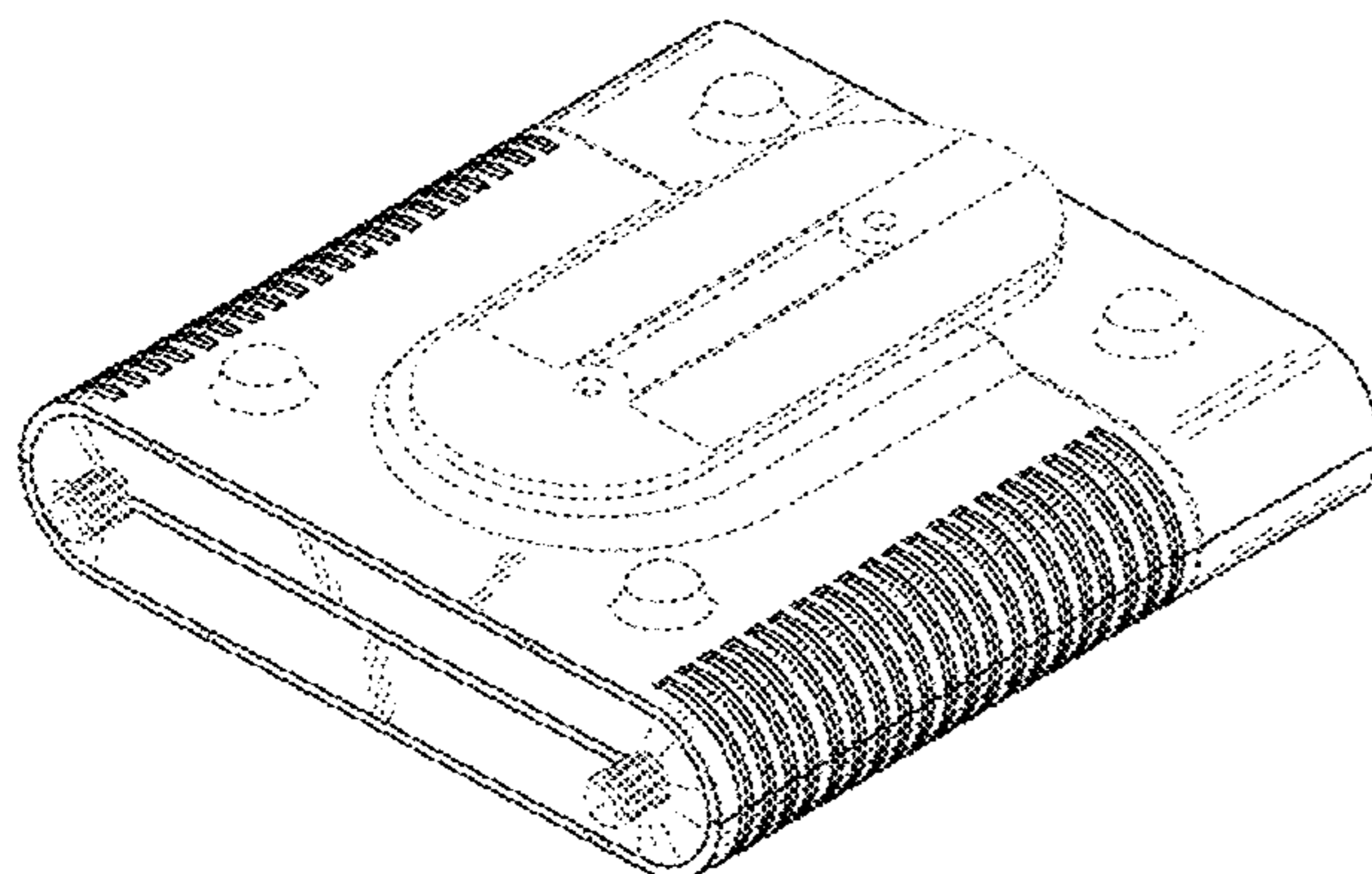
FIG. 6 is a top view of the presently claimed design.

FIG. 7 is a bottom view of the presently claimed design; and,

FIG. 8 is a top perspective view of the presently claimed design.

The broken lines depict portions of the article that form no part of the claimed design.

1 Claim, 6 Drawing Sheets



(56)

References Cited

U.S. PATENT DOCUMENTS

D829,719 S	*	10/2018	Shim	D14/435
D837,790 S	*	1/2019	Wu	D14/435
D838,254 S	*	1/2019	McManigal	D14/204
D867,280 S	*	11/2019	Chen	D13/103
D875,036 S	*	2/2020	Gan	D13/103
D906,302 S	*	12/2020	Yu	D14/240
D917,489 S	*	4/2021	Jiang	D14/434
D922,380 S	*	6/2021	Jun	D14/348

* cited by examiner

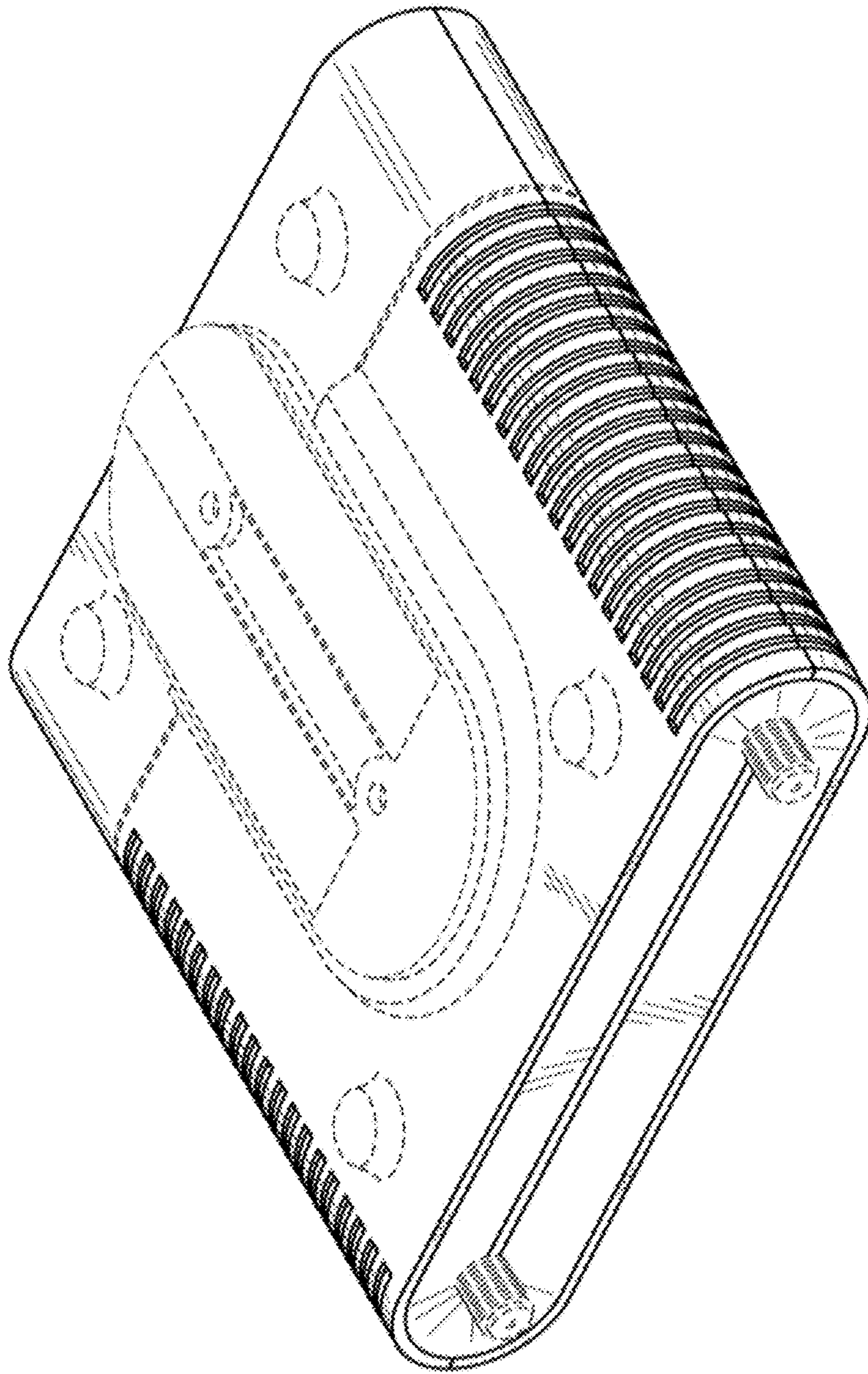


FIG. 1

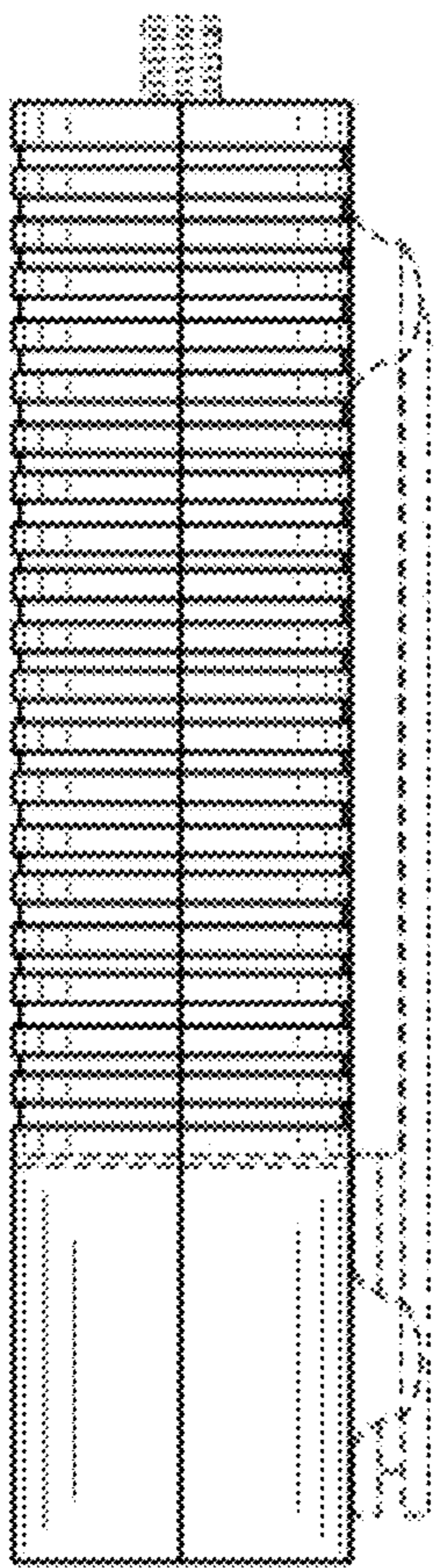


FIG. 2

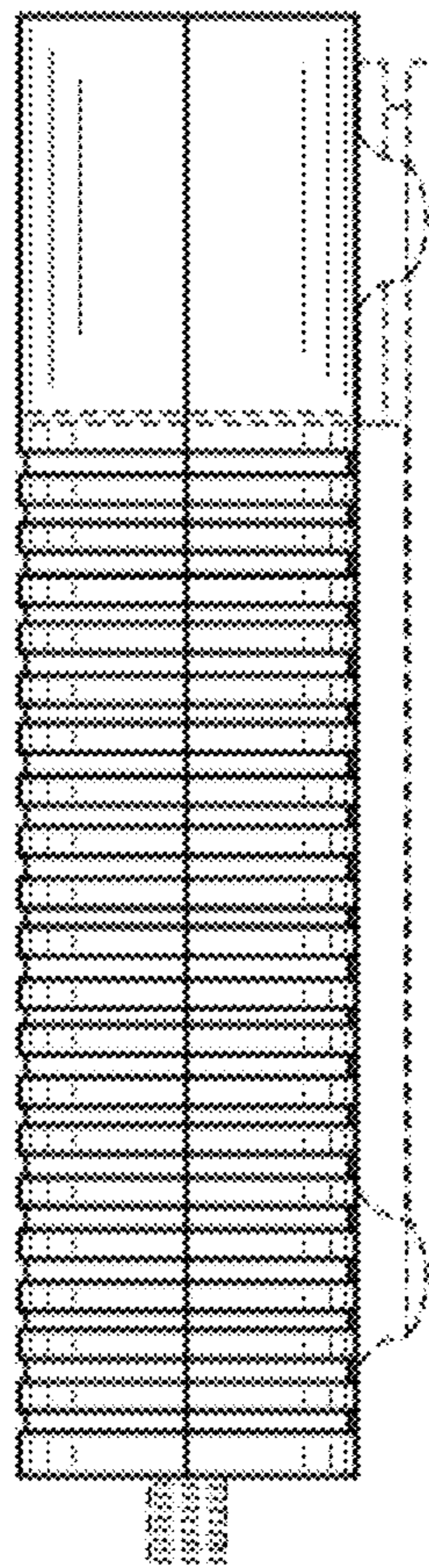


FIG. 3

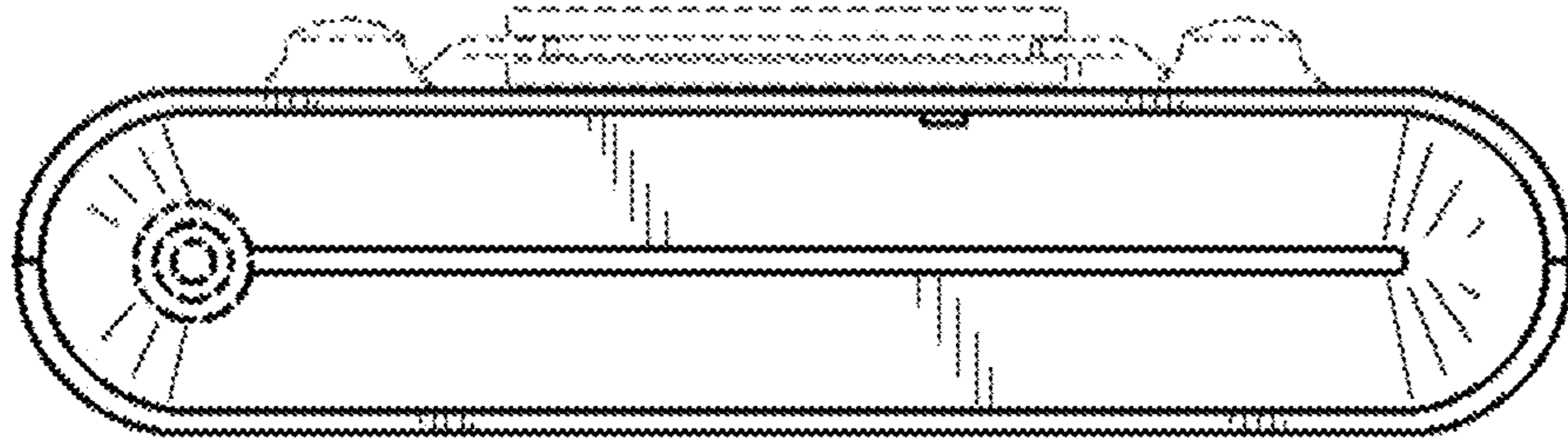


FIG. 4

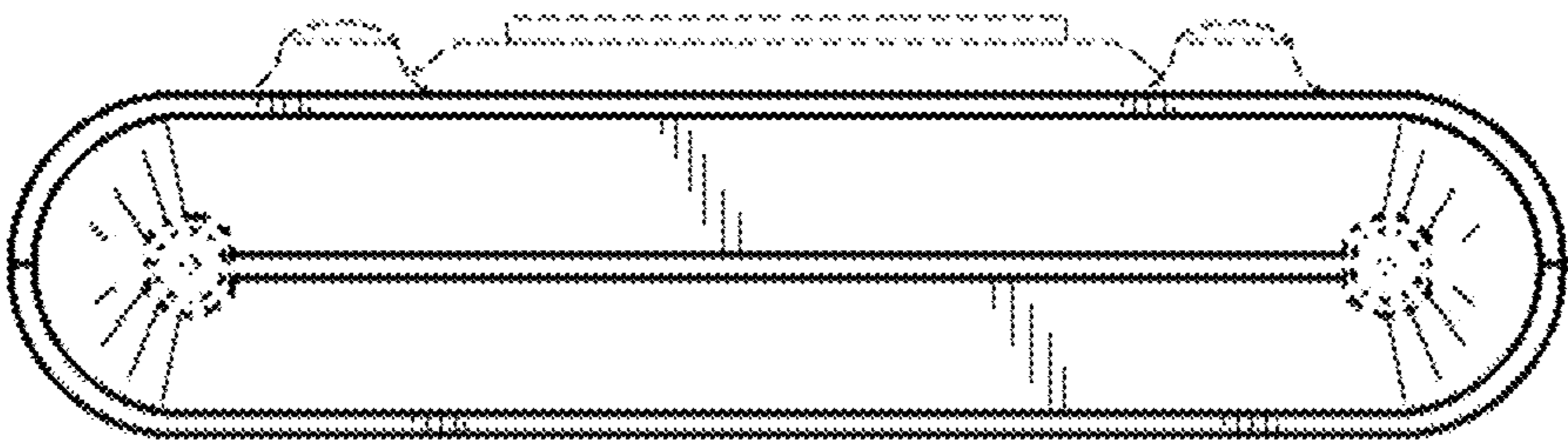


FIG. 5

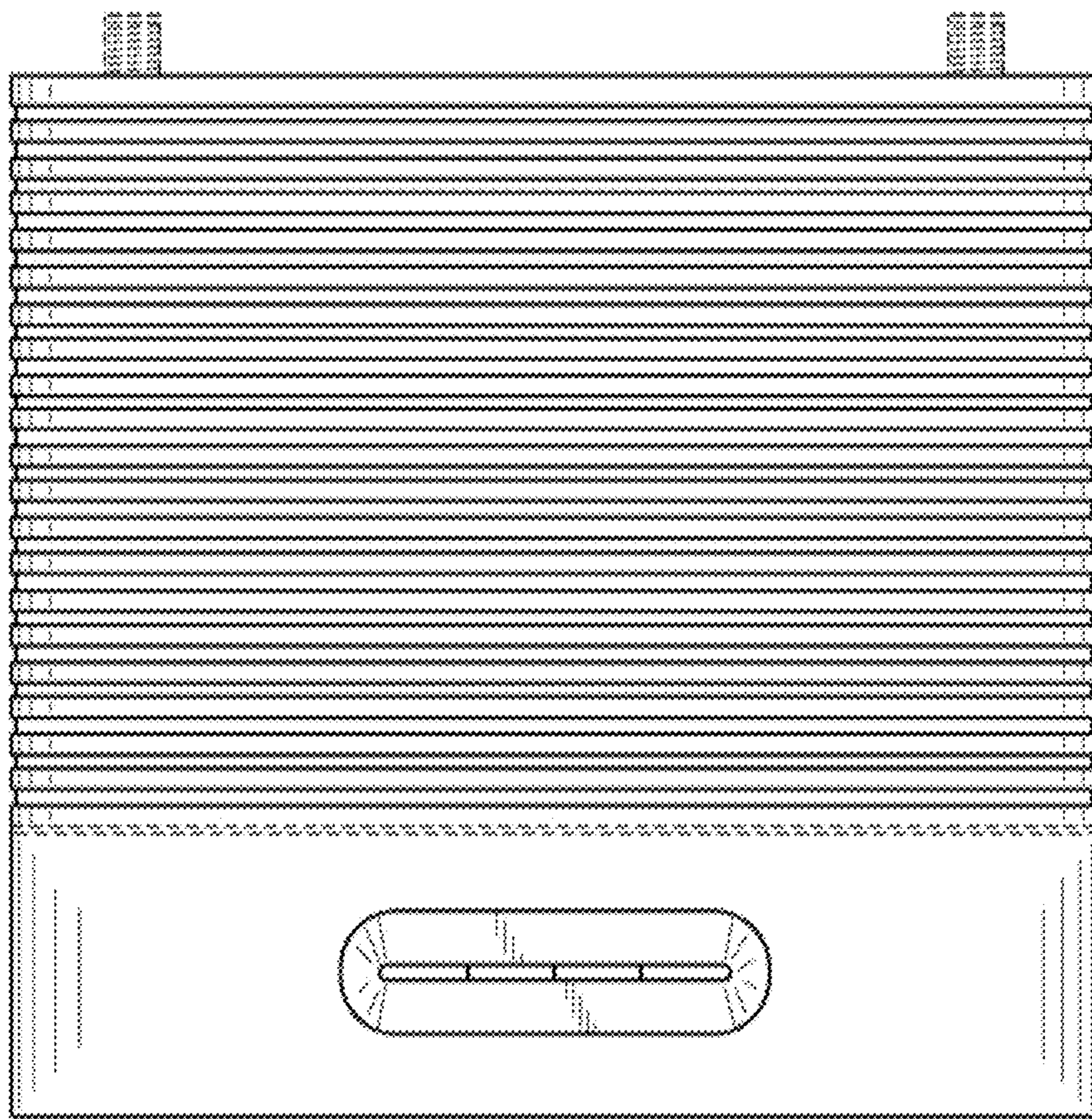


FIG. 6

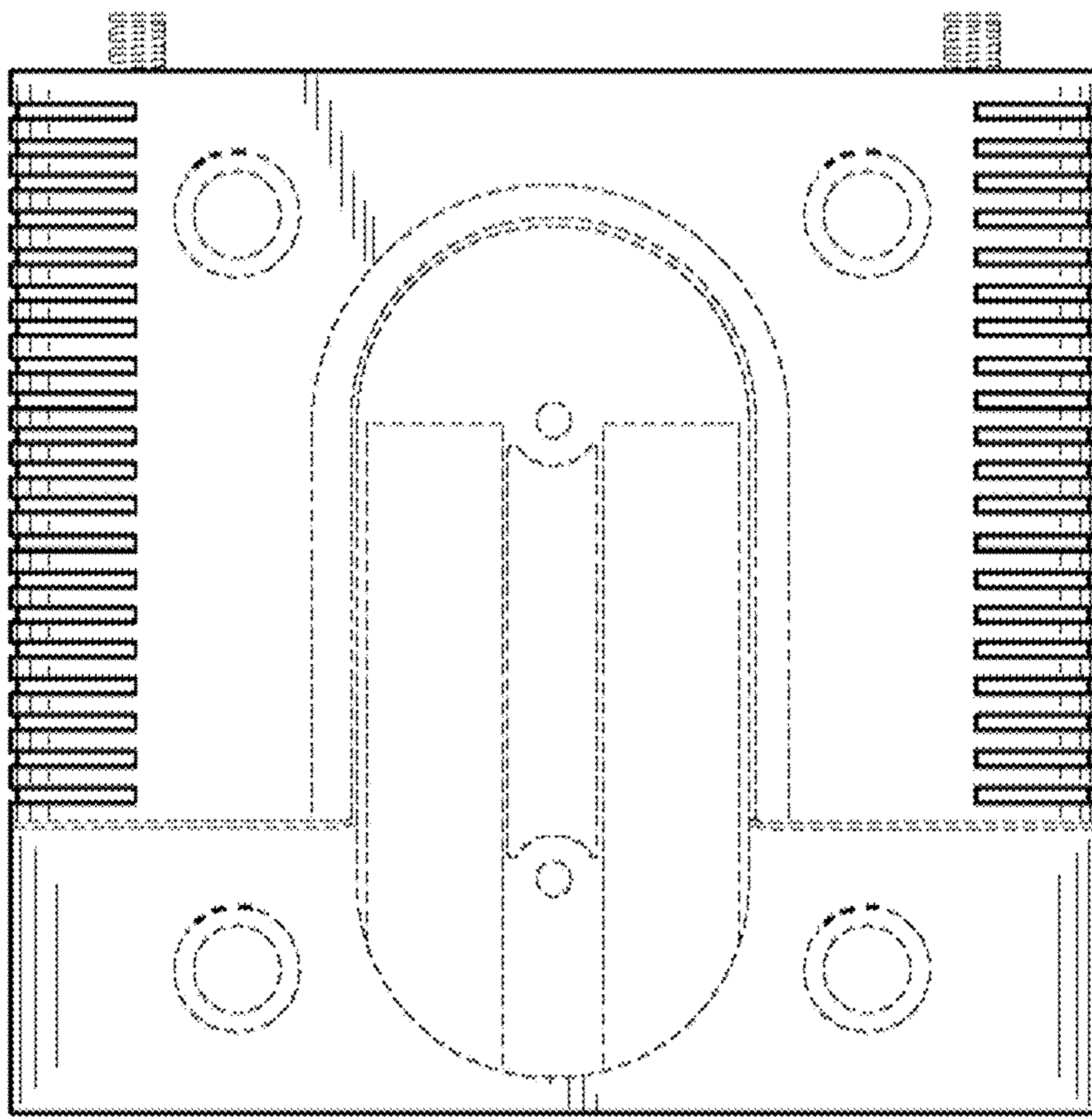


FIG. 7

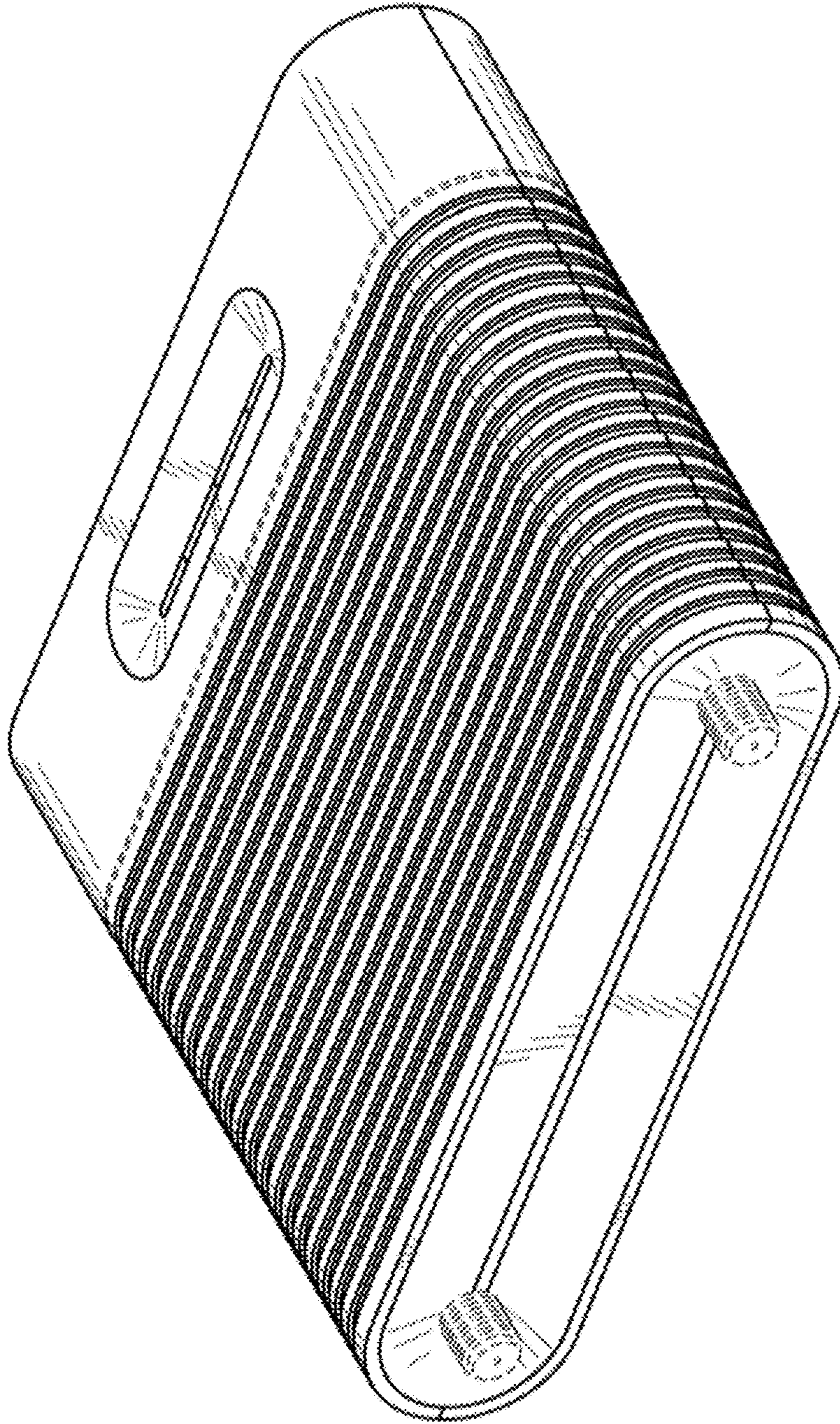


FIG. 8