



US00D934209S

(12) **United States Design Patent** (10) **Patent No.:** **US D934,209 S**  
**Lyu** (45) **Date of Patent:** **\*\* \*Oct. 26, 2021**

(54) **MONITOR WALL MOUNT APPARATUS**

D888,027 S \* 6/2020 Pei ..... D14/239  
D916,063 S \* 4/2021 Lyu ..... D14/239  
2007/0235614 A1\* 10/2007 O'Keene ..... F16M 13/02  
248/309.1

(71) Applicant: **Yaqi Lyu**, Shenzen (CN)

(72) Inventor: **Yaqi Lyu**, Shenzen (CN)

(Continued)

(\* ) Notice: This patent is subject to a terminal disclaimer.

**FOREIGN PATENT DOCUMENTS**

(\*\*) Term: **15 Years**

CN 303226100 \* 5/2015  
CN 303276106 \* 7/2015

(Continued)

(21) Appl. No.: **29/727,975**

**OTHER PUBLICATIONS**

(22) Filed: **Mar. 15, 2020**

Amazon. Link: [https://www.amazon.com/dp/B07V55F67X/ref=cm\\_sw\\_em\\_r\\_mt\\_dp\\_bBtTFbAAKGWTQ?\\_encoding=UTF8&psc=1](https://www.amazon.com/dp/B07V55F67X/ref=cm_sw_em_r_mt_dp_bBtTFbAAKGWTQ?_encoding=UTF8&psc=1). Jul. 14, 2019. Perlesmith TV Wall Mount Bracket. (Year: 2019).\*

(51) **LOC (13) Cl.** ..... **14-03**

(52) **U.S. Cl.**  
USPC ..... **D14/239**

(Continued)

(58) **Field of Classification Search**  
USPC ..... D14/239, 371, 372, 373, 374, 375, 376,  
D14/377, 335-337, 125, 127, 128, 129,  
D14/447, 448, 449, 450, 451, 452, 341,  
D14/126; D8/355, 363, 373; D6/672,  
D6/682

*Primary Examiner* — Lauren D McVey

CPC ..... F16M 11/2085; F16M 11/2092; F16M  
11/2007; F16M 11/2014; F16M 11/2021;  
F16M 11/105; F16M 11/10; F16M  
11/048; F16M 11/12; F16M 13/022

(57) **CLAIM**

See application file for complete search history.

The ornamental design for a monitor wall mount apparatus, as shown and described.

**DESCRIPTION**

(56) **References Cited**

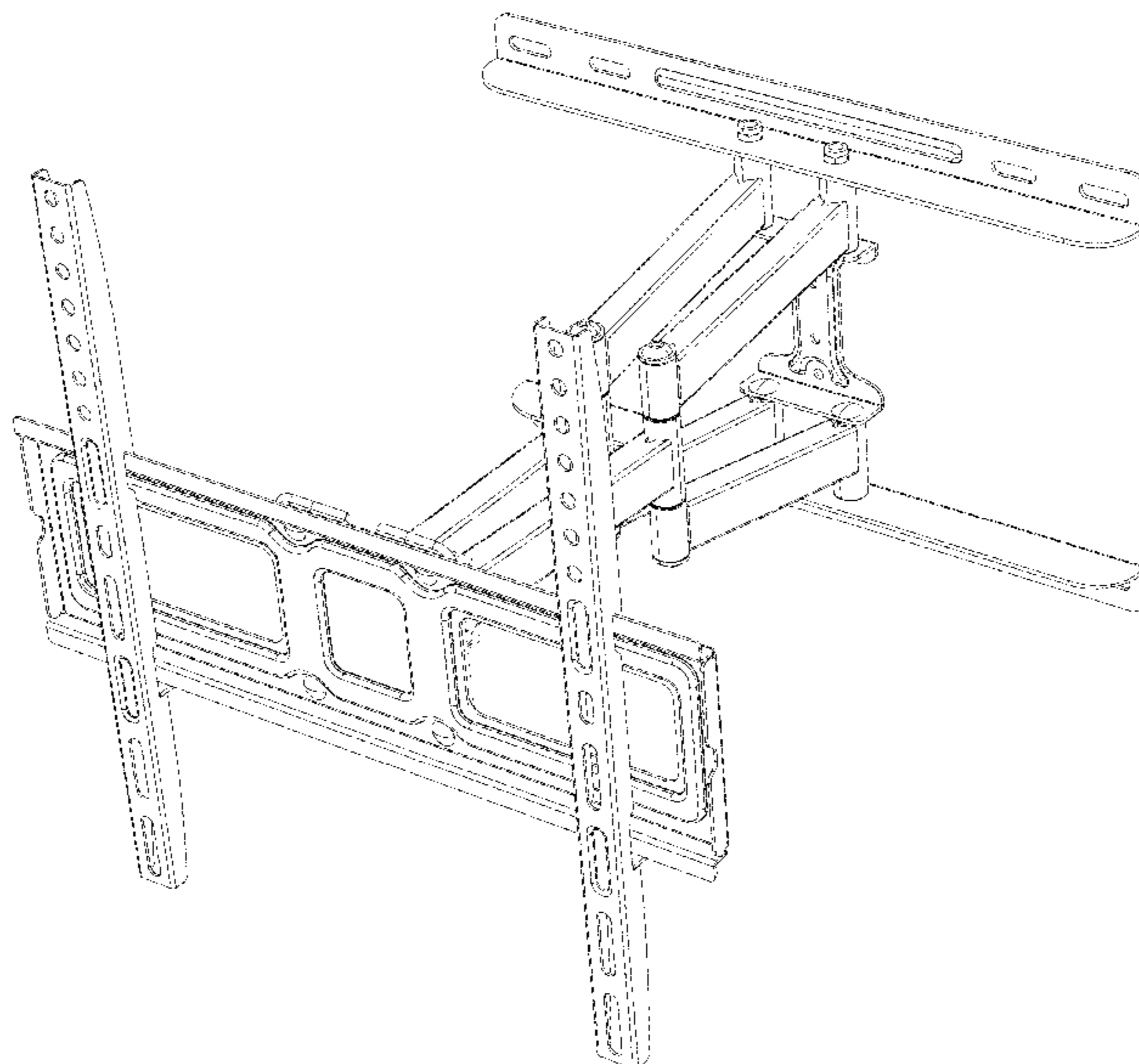
**U.S. PATENT DOCUMENTS**

D587,694 S \* 3/2009 Sculler ..... D14/239  
D631,875 S \* 2/2011 Skull ..... D14/239  
D650,373 S \* 12/2011 Stemple ..... D14/239  
D842,283 S \* 3/2019 Pei ..... D14/239  
D848,989 S \* 5/2019 Pei ..... D14/239  
D852,174 S \* 6/2019 Pei ..... D14/239  
D852,790 S \* 7/2019 Pei .....  
D853,403 S \* 7/2019 Lyu ..... D14/451  
D858,493 S \* 9/2019 Pei .....  
D877,743 S \* 3/2020 Pei ..... D14/451

FIG. 1 is a perspective view of a monitor wall mount apparatus showing my new design in a fully extended state; FIG. 2 is a perspective view of the monitor wall mount apparatus in a fully retracted state; FIG. 3 is a front elevational view of FIG. 1; FIG. 4 is a rear elevational view thereof; FIG. 5 is a left side elevational view thereof; FIG. 6 is a right side elevational view thereof; FIG. 7 is a top plan view thereof; and, FIG. 8 is a bottom plan view thereof.

The broken lines immediately adjacent to the claim depict the bounds of the claimed design, while all other broken lines are directed to environment. The broken lines form no part of the claimed design. The wire frame lines shown throughout the views indicate surface contour.

**1 Claim, 8 Drawing Sheets**



(56)

**References Cited**

U.S. PATENT DOCUMENTS

2019/0203873 A1\* 7/2019 Pei ..... F16M 11/126  
2019/0390817 A1\* 12/2019 Pei ..... F16M 11/10  
2020/0340614 A1\* 10/2020 Pei ..... F16M 11/2092

FOREIGN PATENT DOCUMENTS

CN 305081298 \* 3/2019  
CN 305933625 \* 7/2020  
CN 305948167 \* 7/2020  
CN 305997120 \* 8/2020

OTHER PUBLICATIONS

Amazon. Link: [https://www.amazon.com/dp/B07PMBDZ7K/ref=cm\\_sw\\_em\\_r\\_mt\\_dp\\_DmtTFbBCGW7Z0?\\_encoding=UTF8&psc=](https://www.amazon.com/dp/B07PMBDZ7K/ref=cm_sw_em_r_mt_dp_DmtTFbBCGW7Z0?_encoding=UTF8&psc=)  
1. Mar. 12, 2019. TV Wall Mount Bracket Full Motion Dual Swivel Articulating Arms Extension Tilt Rotation by Pipishell. (Year: 2019).\*

Videomountstore. Link: <https://store.videomountstore.com/fixed-tv-wall-mount-for-32-50-33fw005.html>. Visited Nov. 18, 2020. Fixed TV Wall Mount for 32 to 50 Inch. (Year: 2020).\*

\* cited by examiner

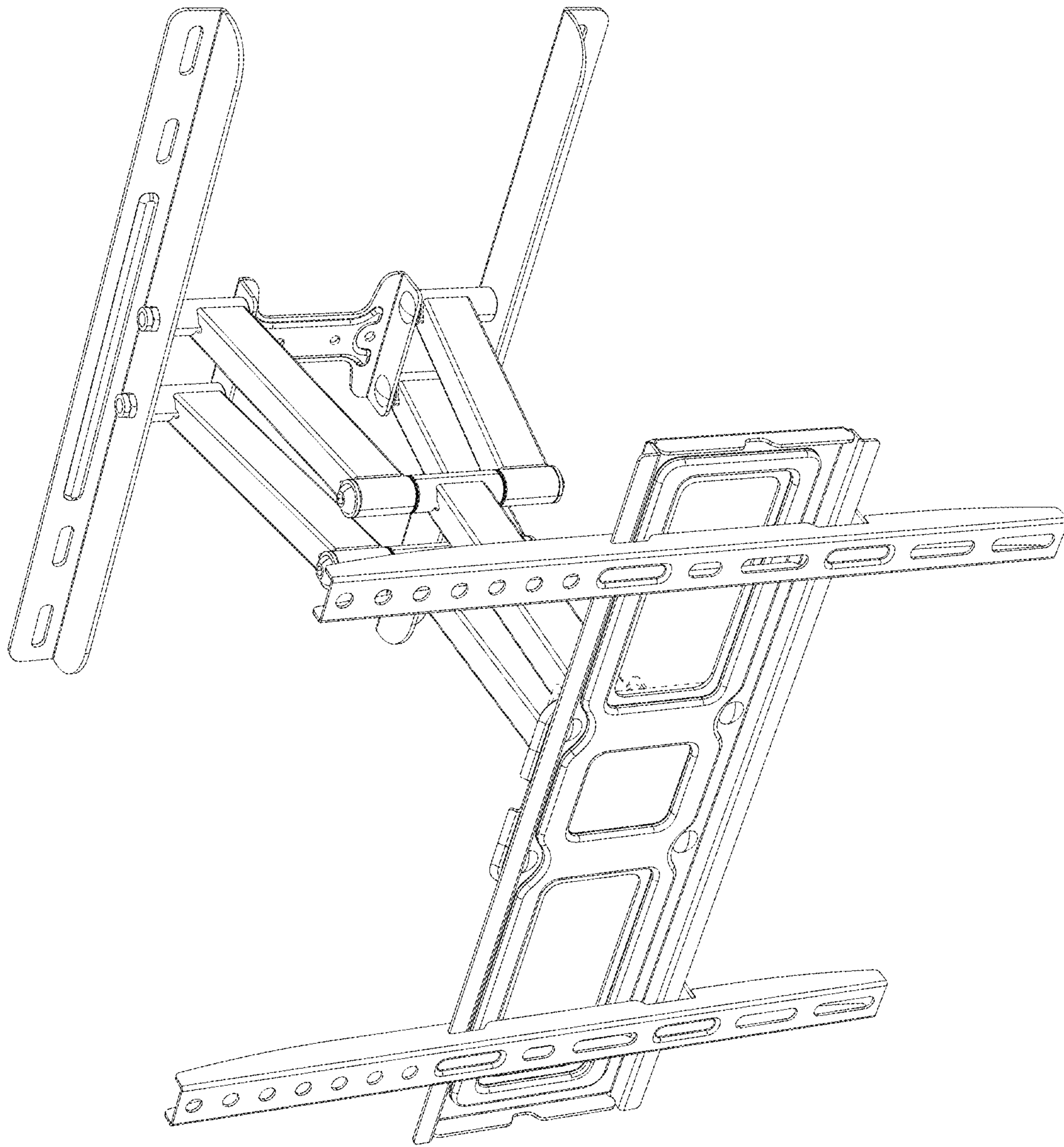


FIG. 1

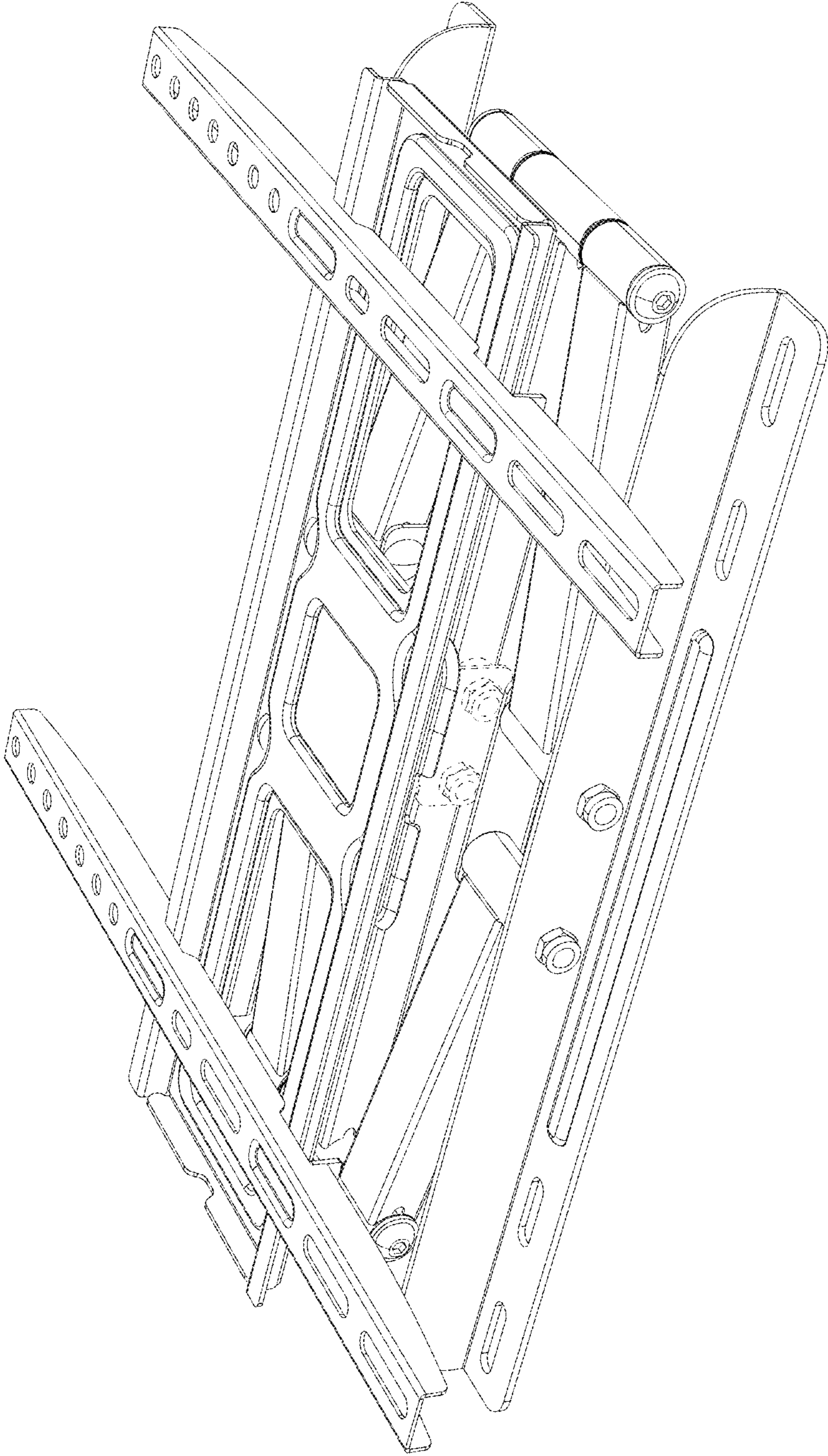


FIG. 2

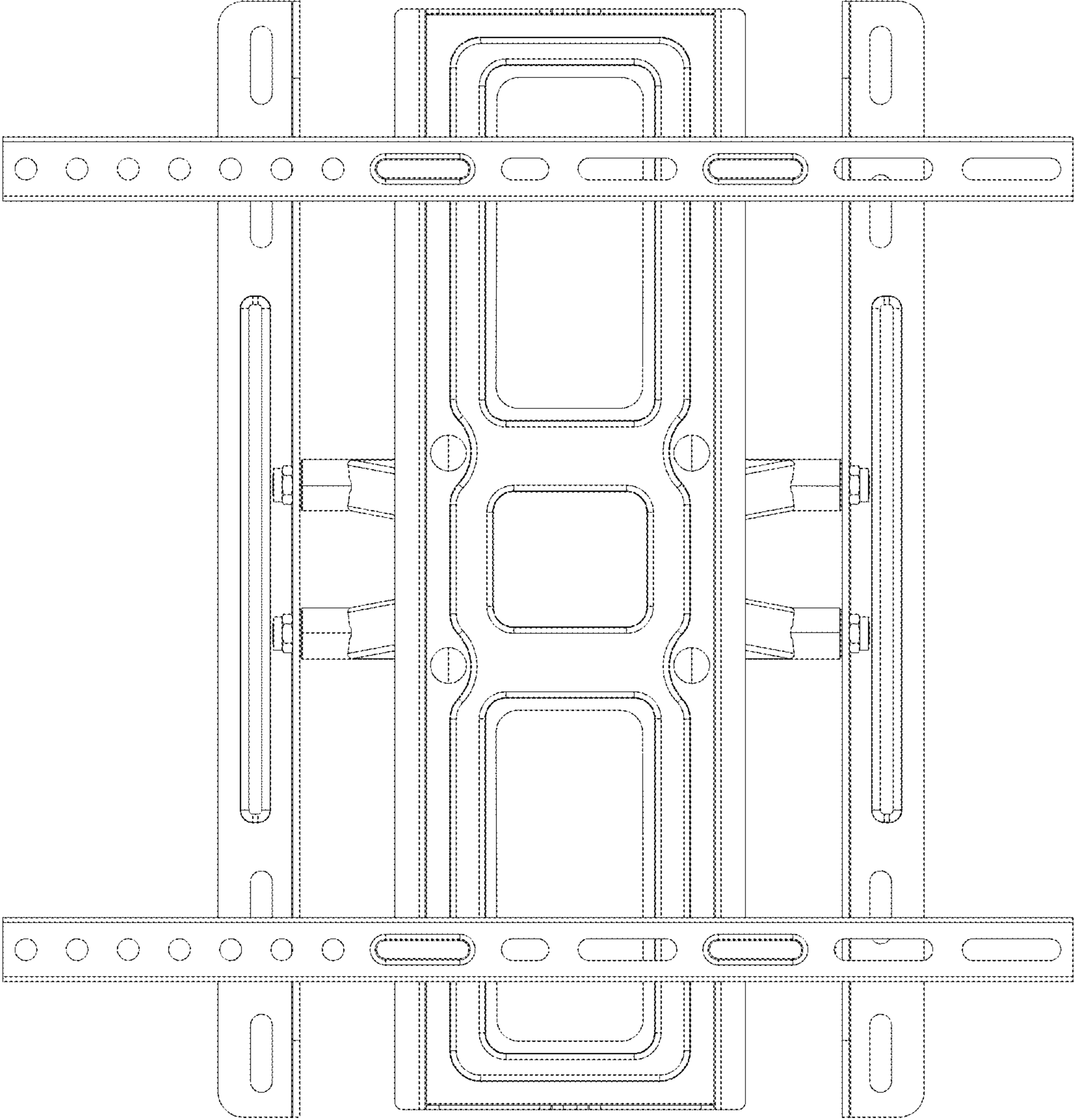


FIG. 3

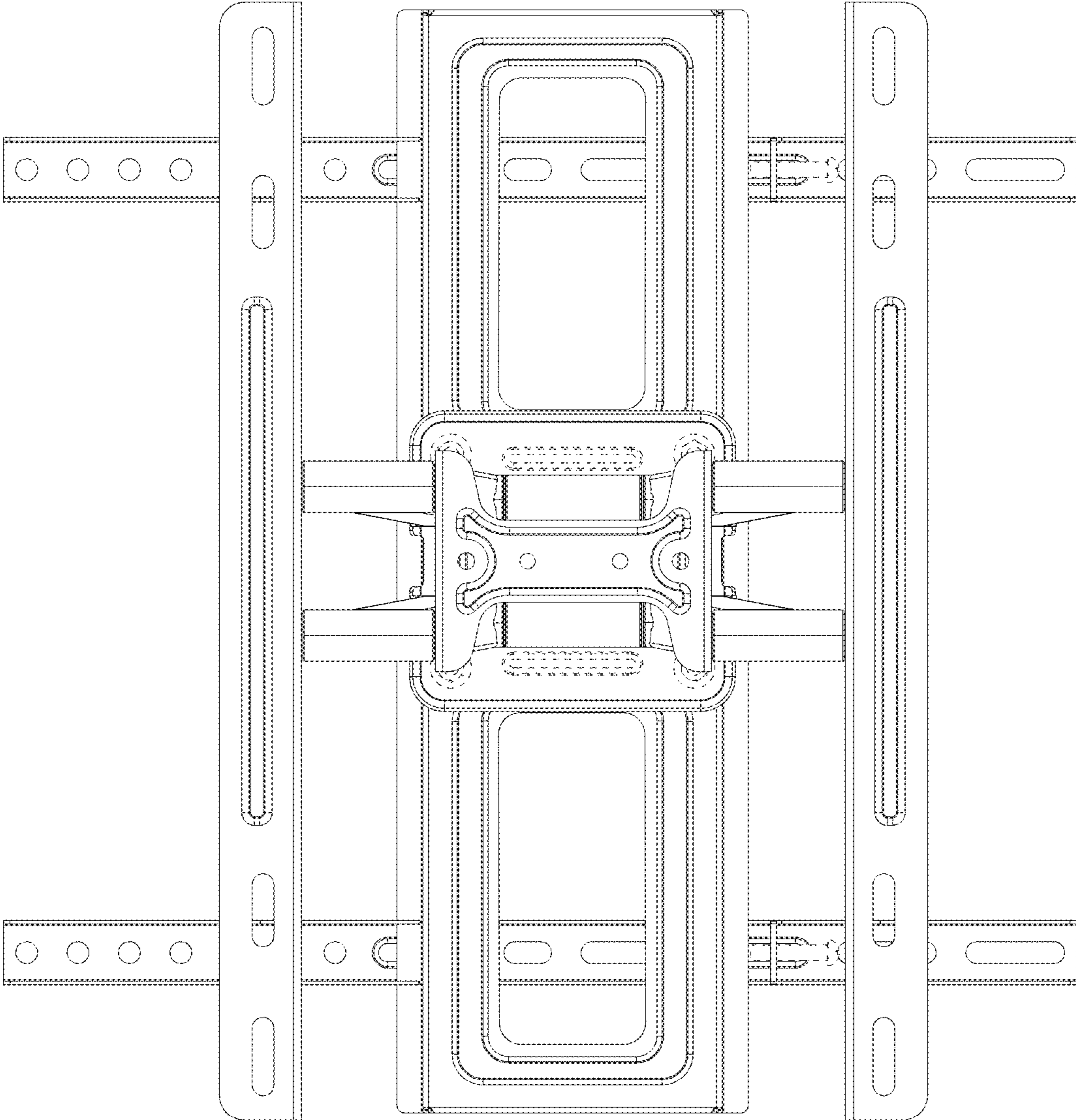


FIG. 4

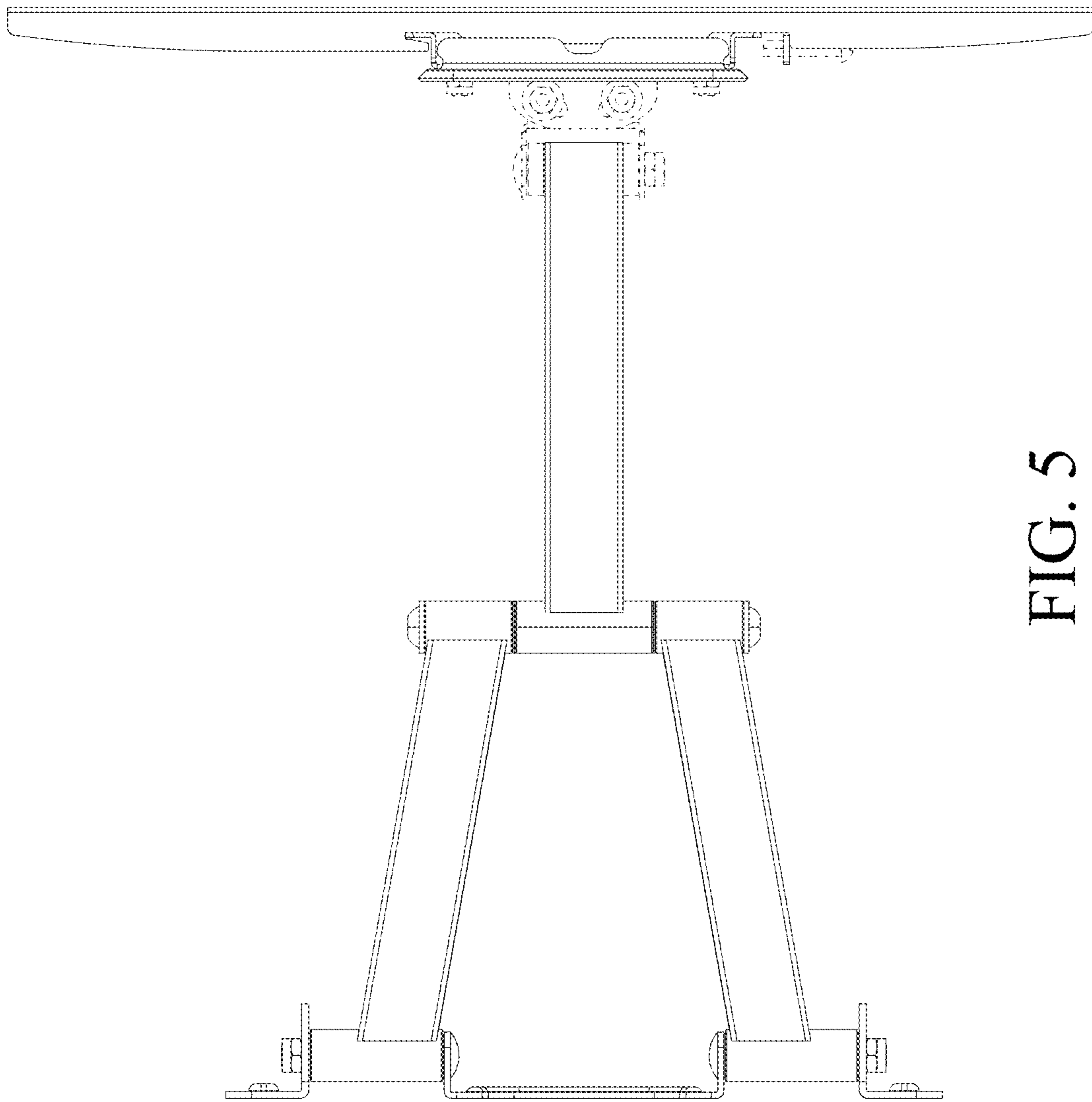


FIG. 5

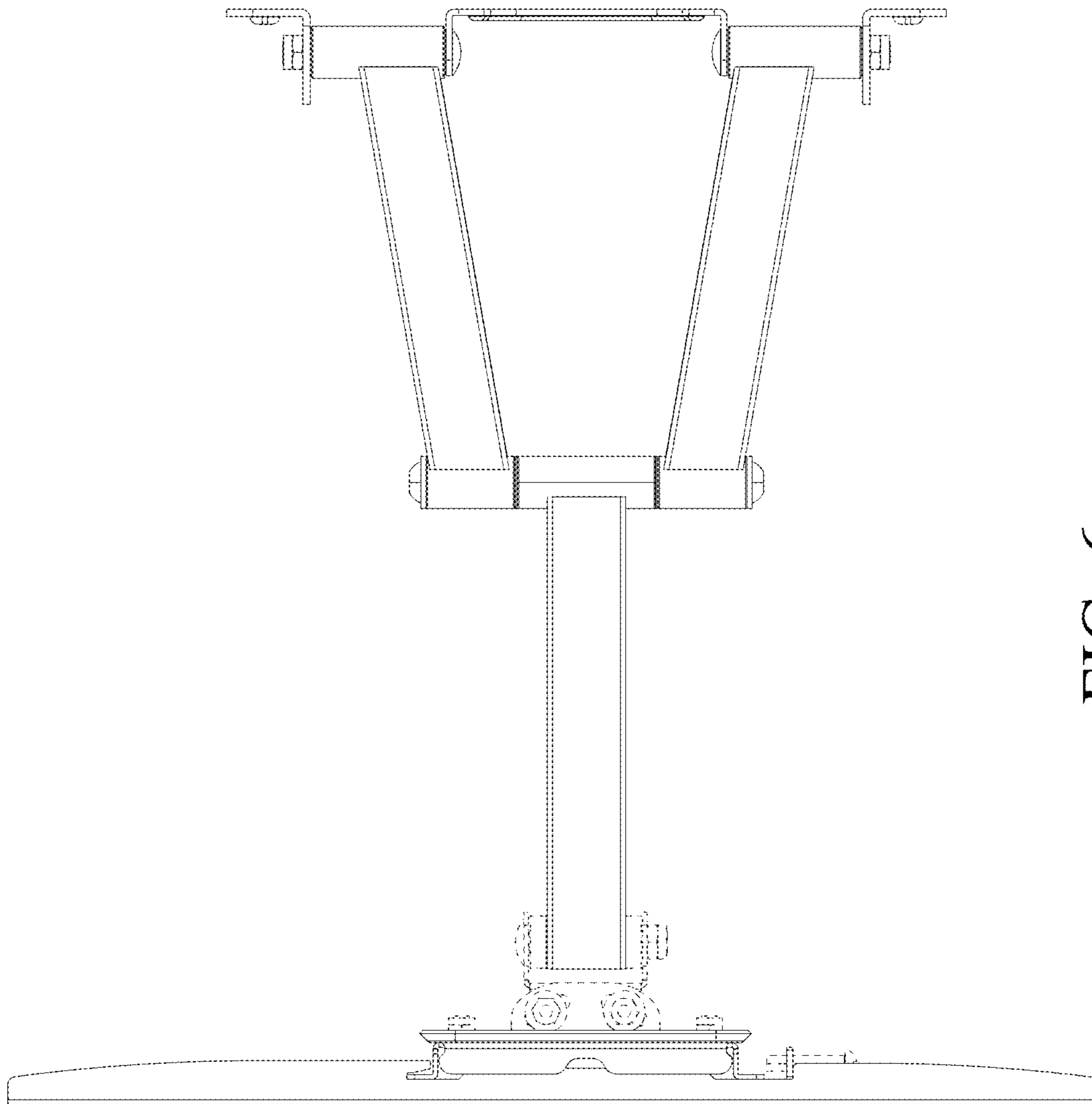


FIG. 6



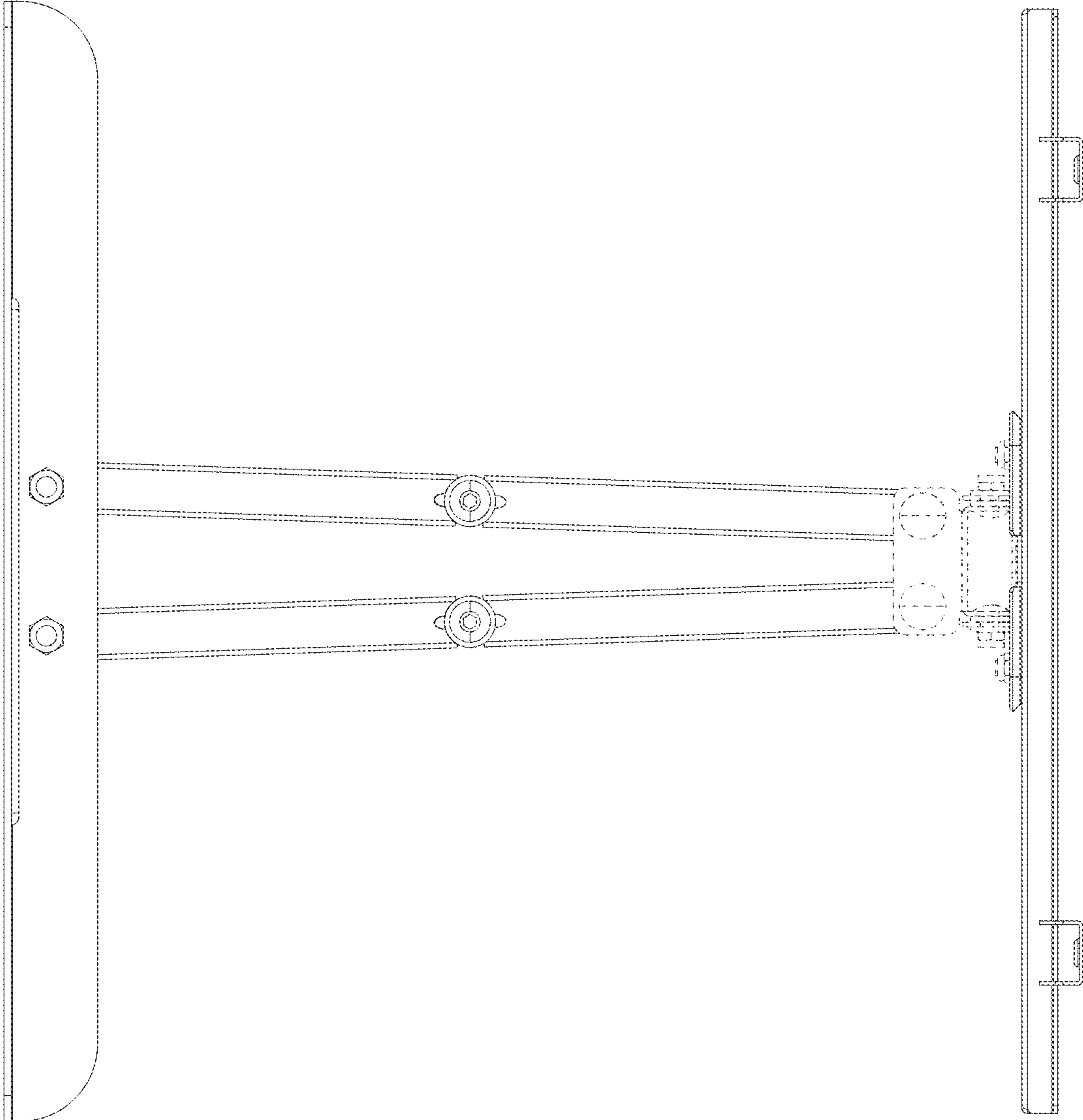


FIG. 7

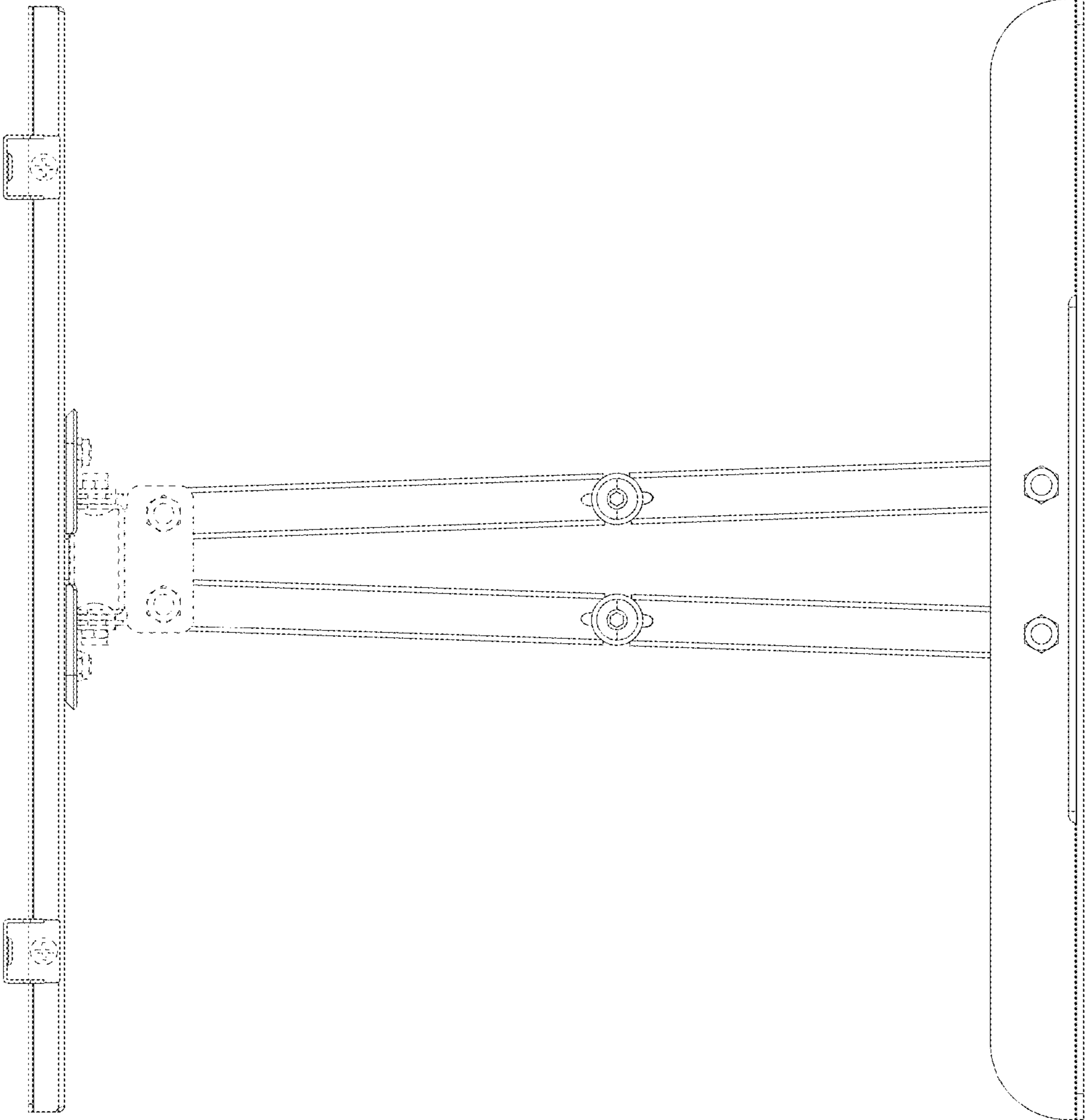


FIG. 8