



US00D934207S

(12) **United States Design Patent**
Montgomery et al.

(10) **Patent No.:** **US D934,207 S**

(45) **Date of Patent:** **** Oct. 26, 2021**

(54) **ANTENNA**

(71) Applicant: **Airgain Incorporated**, San Diego, CA (US)

(72) Inventors: **Mark Montgomery**, Melbourne Beach, FL (US); **Devis Iellici**, Cambridge (GB); **Bei Zheng**, Zhang Jia Gang (CN)

(73) Assignee: **Airgain, Inc.**, San Diego, CA (US)

(**) Term: **15 Years**

(21) Appl. No.: **29/719,178**

(22) Filed: **Dec. 31, 2019**

Related U.S. Application Data

(62) Division of application No. 29/700,753, filed on Aug. 5, 2019, now Pat. No. Des. 890,146, which is a division of application No. 29/615,962, filed on Aug. 31, 2017, now Pat. No. Des. 857,671.

(51) **LOC (13) Cl.** **14-03**

(52) **U.S. Cl.**
USPC **D14/230**

(58) **Field of Classification Search**
USPC D14/230–238, 238.1, 299, 343; D13/182
CPC H01Q 7/00; H01Q 13/10; H01Q 9/285;
H01Q 19/30; H01Q 19/12; H01Q 1/36;
H01Q 1/38; H04B 1/0475; H04B 1/034;
H05K 11/00; G05D 1/0234; G06K
19/07749

See application file for complete search history.

(56) **References Cited**

U.S. PATENT DOCUMENTS

D635,126 S * 3/2011 Tsai D14/230
D635,127 S * 3/2011 Tsai D14/230
D651,198 S * 12/2011 Mi D14/230
D654,058 S * 2/2012 Mi D14/230

D654,059 S * 2/2012 Mi D14/230
D654,061 S * 2/2012 Tseng D14/230
D654,062 S * 2/2012 Ko D14/230
D662,916 S * 7/2012 Huang D14/230
D670,276 S * 11/2012 Mi D14/230
D706,751 S * 6/2014 Chang D14/230
D750,049 S * 2/2016 Poddaturi D14/230
D772,849 S * 11/2016 Chen D14/230
D778,881 S * 2/2017 Zheng D14/230
D779,463 S * 2/2017 Zheng D14/230
D781,823 S * 3/2017 Chang D14/230
D784,303 S * 4/2017 Zheng D14/230
D784,965 S * 4/2017 Chang D14/230
D792,870 S * 7/2017 Zheng D14/230
D795,846 S * 8/2017 Chang D14/230
D799,457 S * 10/2017 Chang D14/230
D826,911 S * 8/2018 Wang D14/230
D832,241 S * 10/2018 He D14/230
D837,770 S * 1/2019 Schulteis D14/230

(Continued)

Primary Examiner — Rebekah A Caruso

(74) *Attorney, Agent, or Firm* — Clause Eight; Michael Catania

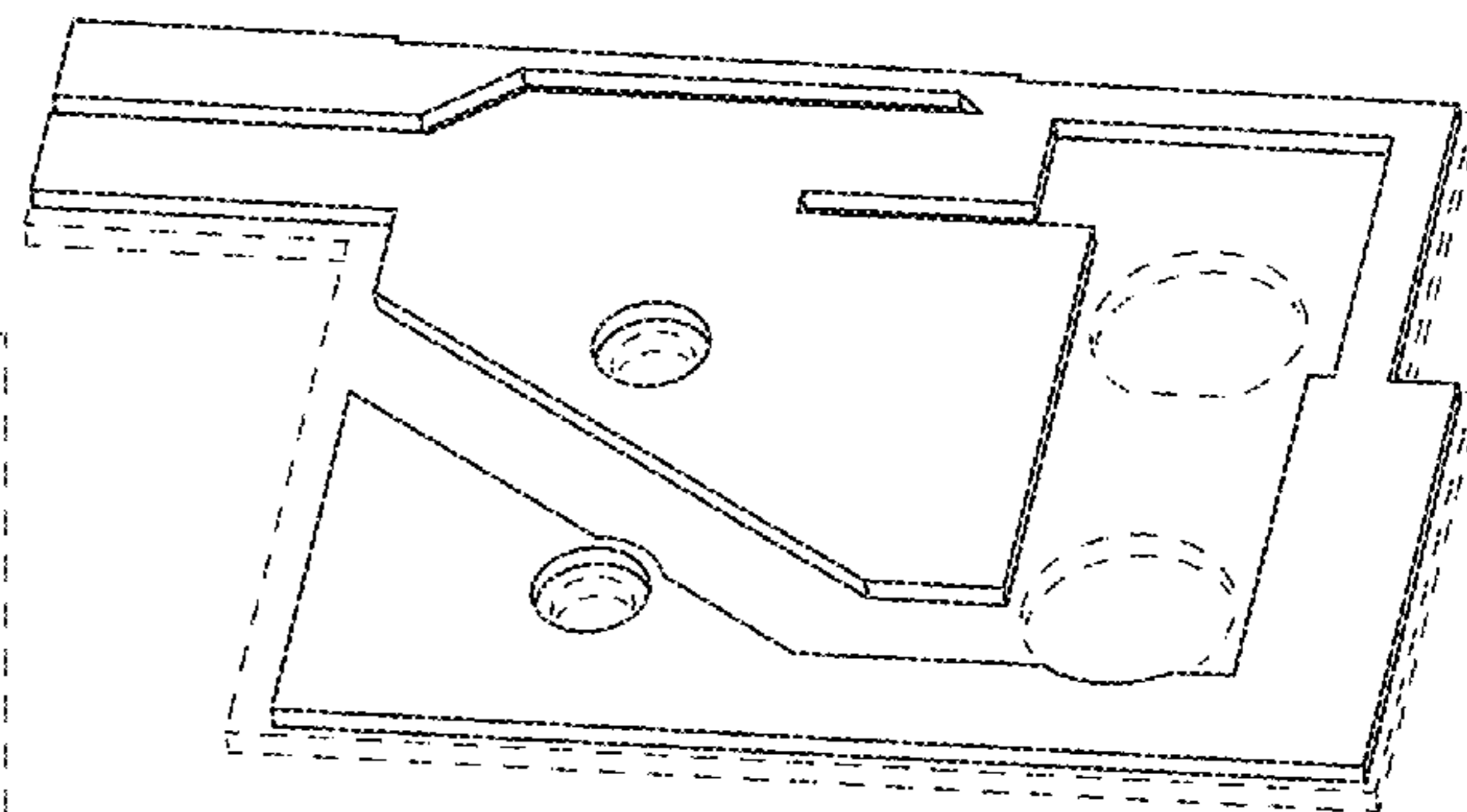
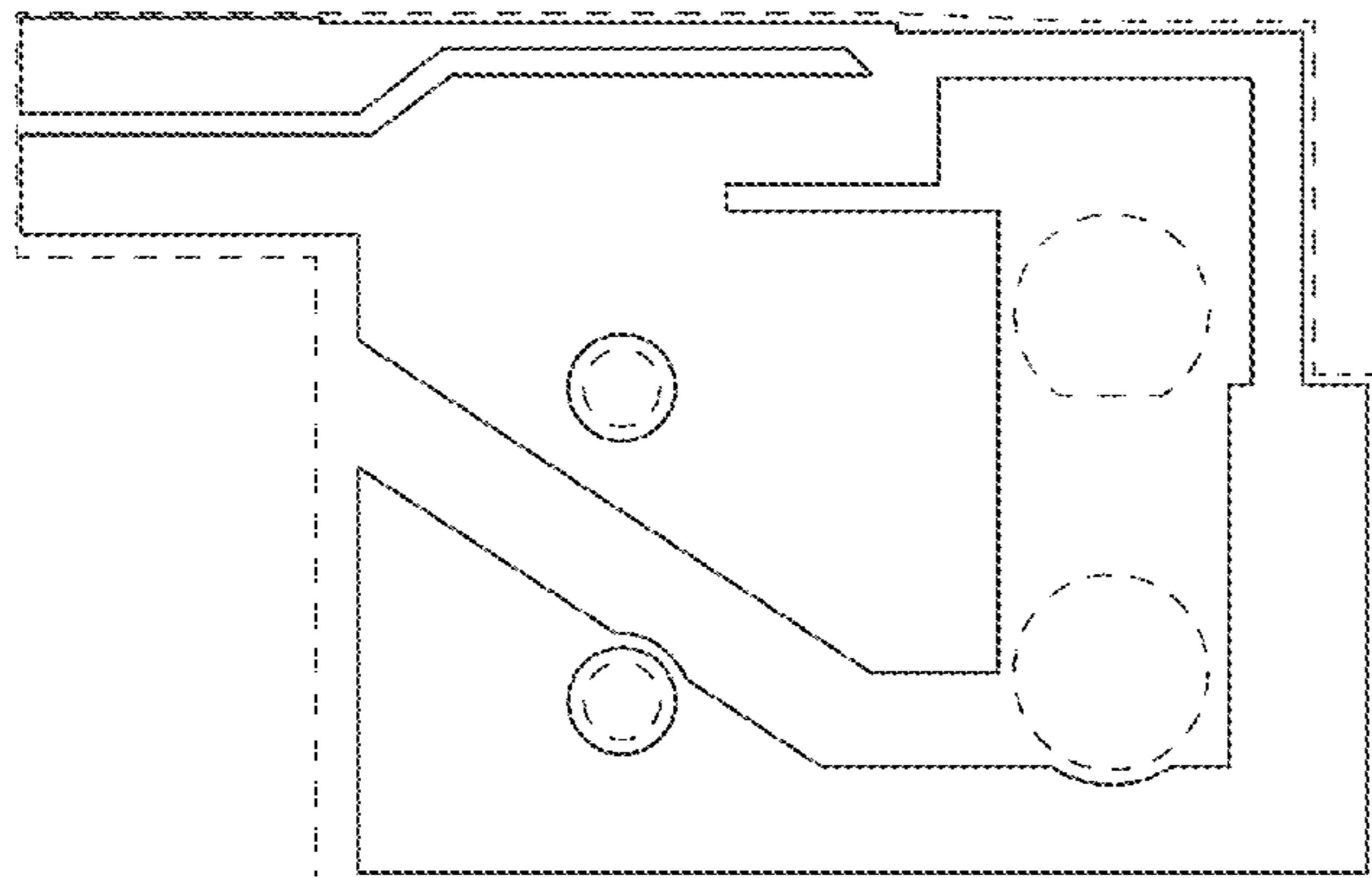
(57) **CLAIM**

The ornamental design for an antenna, as shown and described.

DESCRIPTION

FIG. 1 is a top plan view of an antenna, showing our new design;
FIG. 2 is a front elevation view thereof;
FIG. 3 is a bottom plan view thereof;
FIG. 4 is a top perspective view thereof;
FIG. 5 is a top plan view thereof, with the broken line environment not shown; and,
FIG. 6 is a front elevation view thereof, with the broken line environment not shown.
The broken lines show environment only and form no part of the claimed design.

1 Claim, 4 Drawing Sheets



(56)

References Cited

U.S. PATENT DOCUMENTS

D838,260 S *	1/2019	Chang	D14/230
D868,760 S *	12/2019	Gosalia	D14/230
D872,716 S *	1/2020	Wang	D14/230
D876,403 S *	2/2020	Keyrouz	D14/230
D876,404 S *	2/2020	Louh	D14/230
D877,723 S *	3/2020	Keyrouz	D14/230
D902,893 S *	11/2020	Chang	D14/230

* cited by examiner

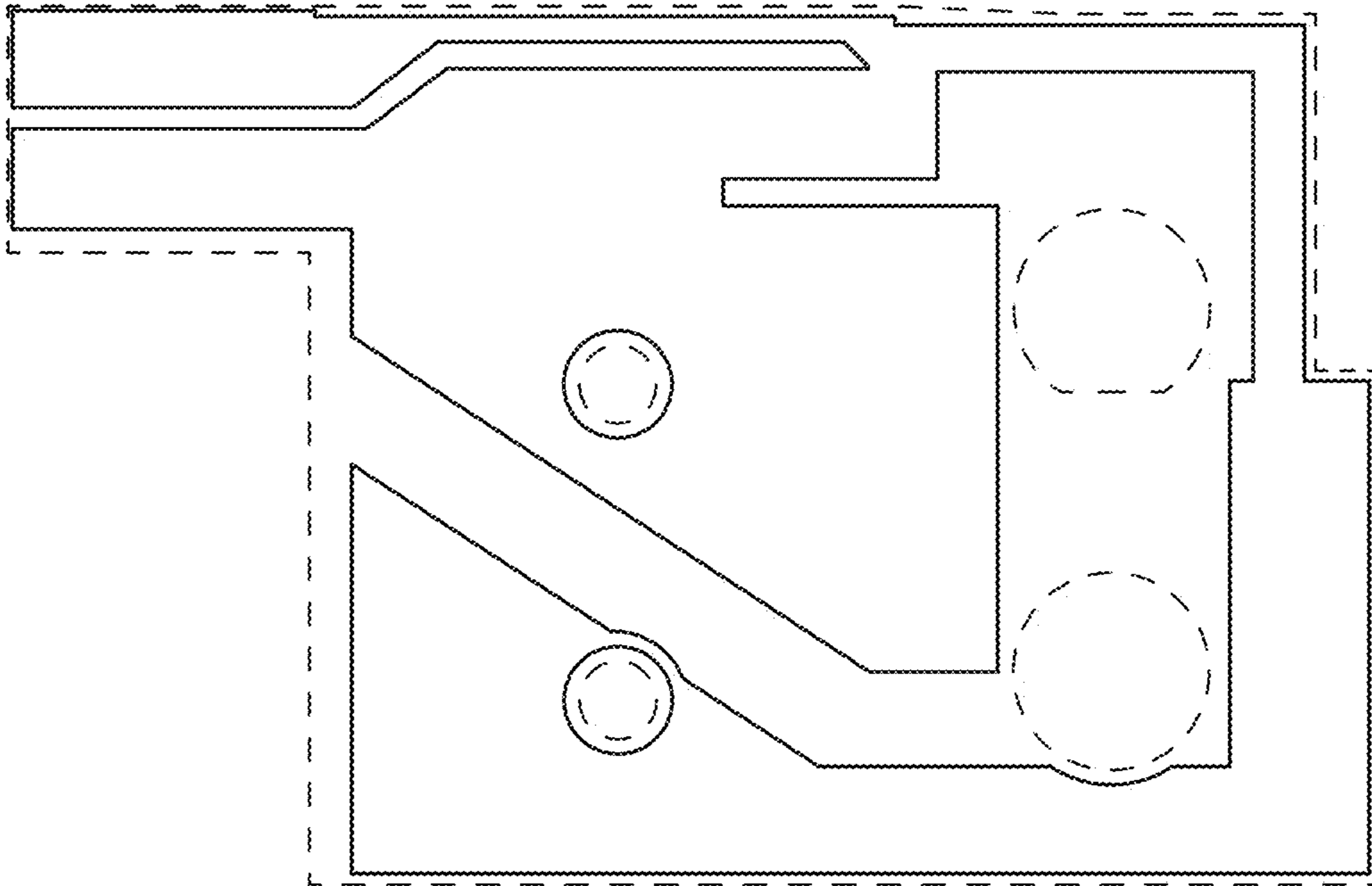


FIG. 1



FIG. 2

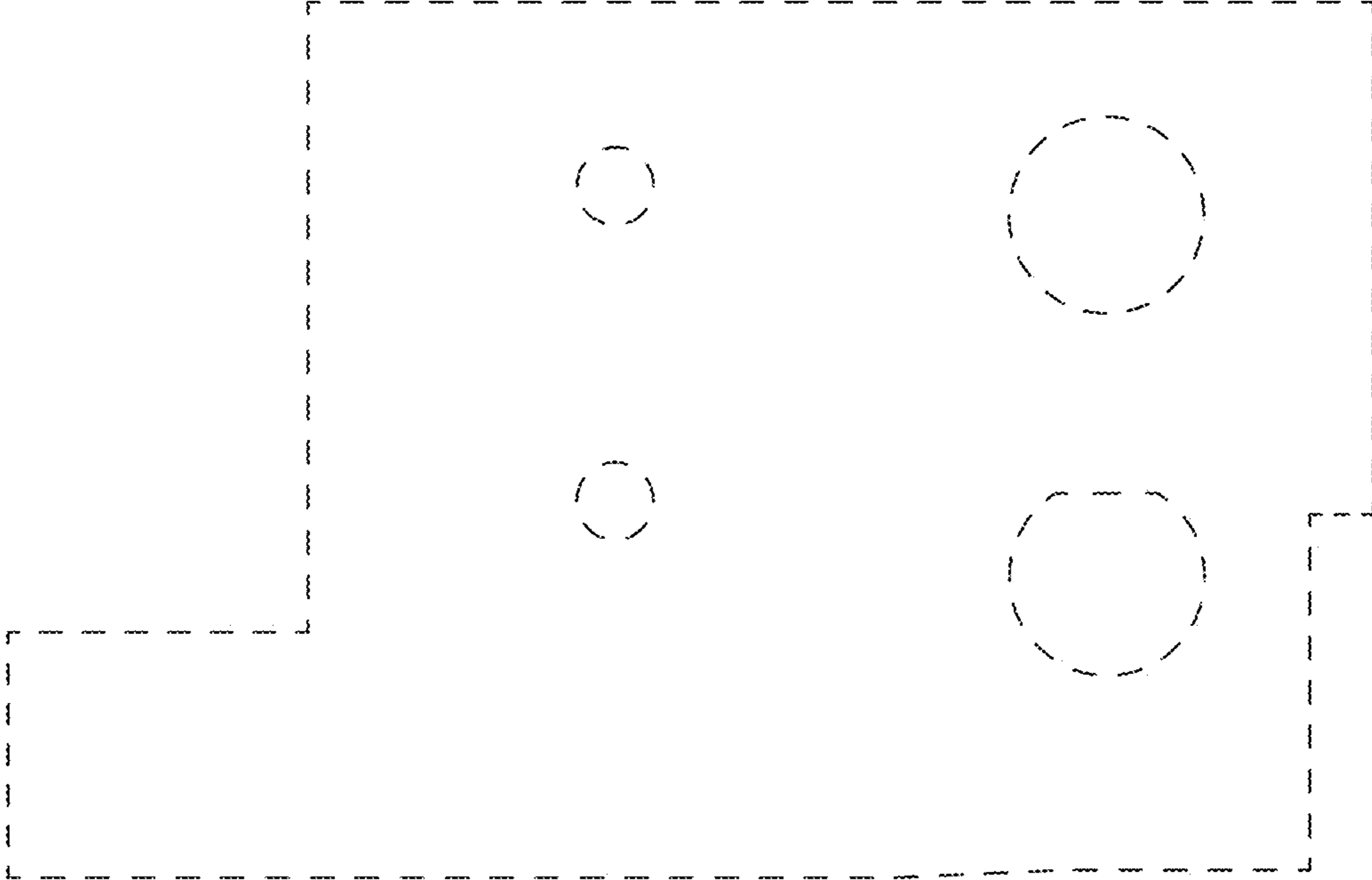


FIG. 3

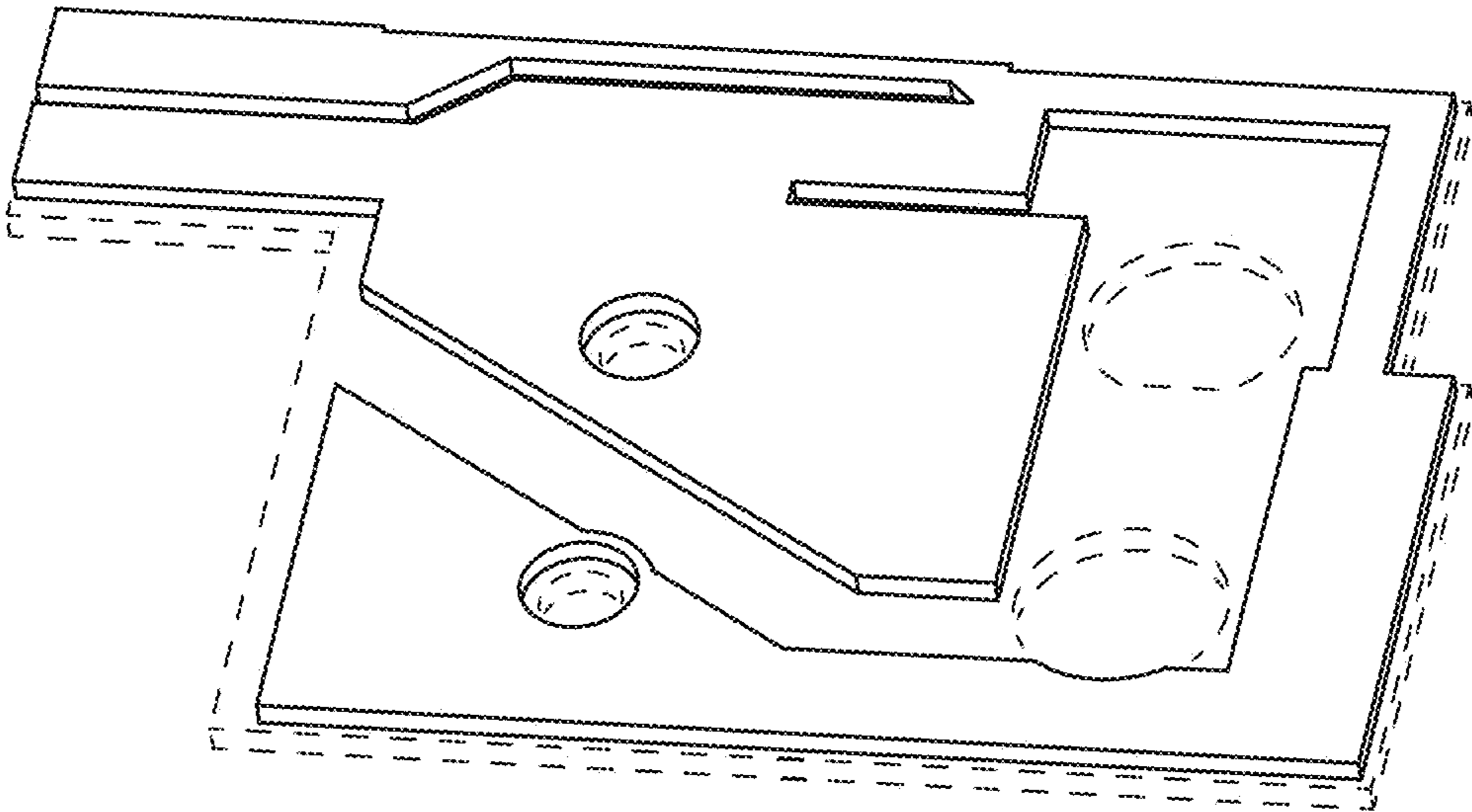


FIG. 4

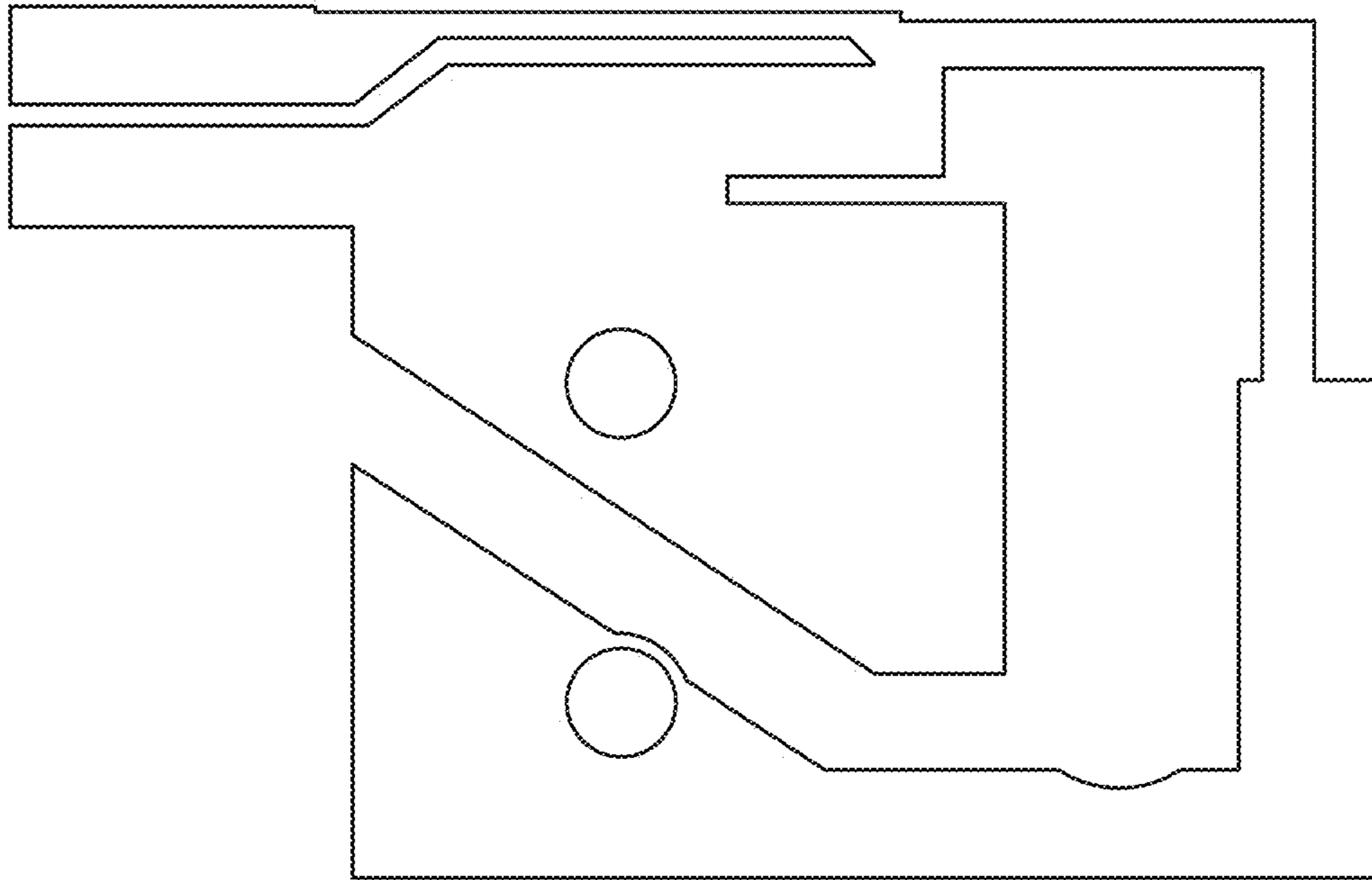


FIG. 5

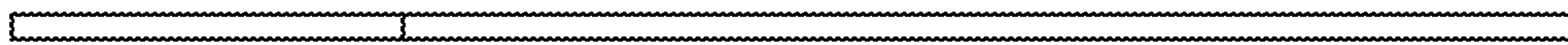


FIG. 6