



US00D934205S

(12) **United States Design Patent** (10) **Patent No.:** **US D934,205 S**  
**Brunner et al.** (45) **Date of Patent:** **\*\* \*Oct. 26, 2021**

- (54) **EARPIECE**
- (71) Applicant: **Apple Inc.**, Cupertino, CA (US)
- (72) Inventors: **Robert Brunner**, Glen Ellen, CA (US);  
**Christopher Kuh**, San Francisco, CA (US); **Achille Biteau**, San Francisco, CA (US)
- (73) Assignee: **Apple Inc.**, Cupertino, CA (US)
- (\*) Notice: This patent is subject to a terminal disclaimer.
- (\*\*) Term: **15 Years**
- (21) Appl. No.: **29/774,949**
- (22) Filed: **Mar. 19, 2021**

**Related U.S. Application Data**

- (63) Continuation of application No. 29/715,420, filed on Dec. 2, 2019, now Pat. No. Des. 913,994, which is a continuation of application No. 29/654,520, filed on Jun. 25, 2018, now Pat. No. Des. 868,749, which is a continuation of application No. 29/595,719, filed on Mar. 1, 2017, now Pat. No. Des. 821,364, which is a continuation of application No. 29/533,509, filed on Jul. 17, 2015, now Pat. No. Des. 780,721, which is a continuation of application No. 29/490,934, filed on May 15, 2014, now Pat. No. Des. 734,744, and a continuation of application No. 29/490,932, filed on May 15, 2014, now Pat. No. Des. 743,945, and a continuation of application No. 29/490,936, filed on May 15, 2014, now Pat. No. Des. 743,946.
- (51) **LOC (13) Cl.** ..... **14-01**
- (52) **U.S. Cl.**  
USPC ..... **D14/223**
- (58) **Field of Classification Search**  
USPC ..... D14/223, 205; D24/174; 128/864, 865, 128/866; 181/129, 130, 135; 381/380, 381/381; 455/90.3, 575.1, 569.1

CPC ..... H04R 1/10; H04R 25/00; H04R 1/105; H04R 1/1016; H04R 1/1066; H04R 5/033; H04R 5/0335; H04R 1/1091  
See application file for complete search history.

(56) **References Cited**

**U.S. PATENT DOCUMENTS**

D600,675 S *	9/2009	Lee	.....	D14/205
D601,126 S *	9/2009	Christopher	.....	D14/206
D602,475 S *	10/2009	Martin	.....	D14/223
D602,905 S *	10/2009	Morisawa	.....	D14/205
D603,837 S *	11/2009	Martin	.....	D14/206
D603,847 S *	11/2009	Chung	.....	D14/223
D604,272 S *	11/2009	Kitayama	.....	D14/223

(Continued)

**FOREIGN PATENT DOCUMENTS**

CA 159500 \* 5/2014

*Primary Examiner* — Paula Allen Greene

(74) *Attorney, Agent, or Firm* — Sterne, Kessler, Goldstein & Fox P.L.L.C.

(57) **CLAIM**

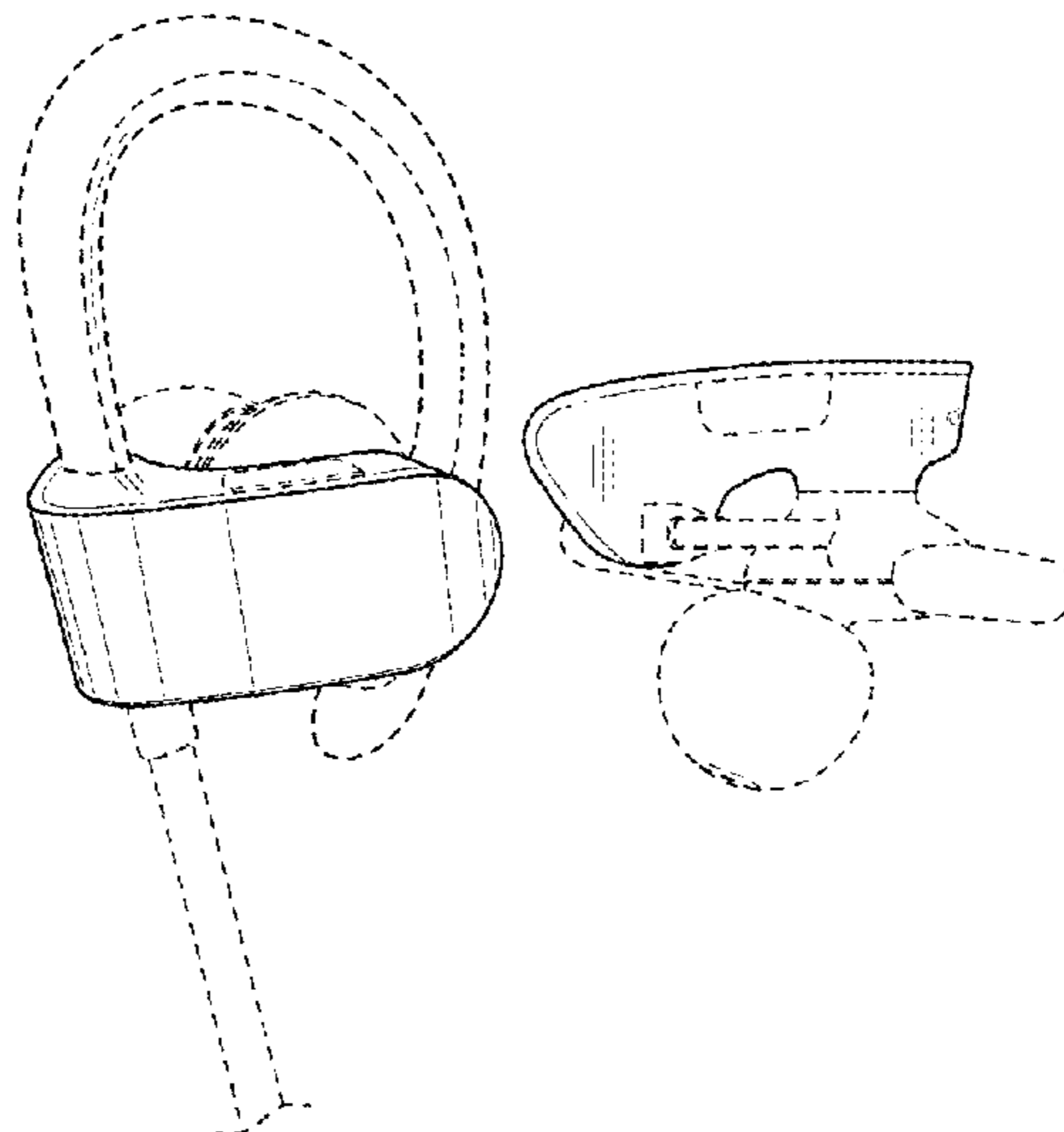
The ornamental design for an earpiece, as shown and described.

**DESCRIPTION**

FIG. 1 is a perspective view of an earpiece showing the claimed design;  
 FIG. 2 is a front view thereof;  
 FIG. 3 is a rear view thereof;  
 FIG. 4 is a right side view thereof;  
 FIG. 5 is a left side view thereof;  
 FIG. 6 is a top view thereof; and,  
 FIG. 7 is a bottom view thereof.

The dashed broken lines in the figures show portions of the earpiece that form no part of the claimed design.  
 The dot-dash broken lines in the figures show boundaries that form no part of the claimed design.

**1 Claim, 2 Drawing Sheets**



(56)

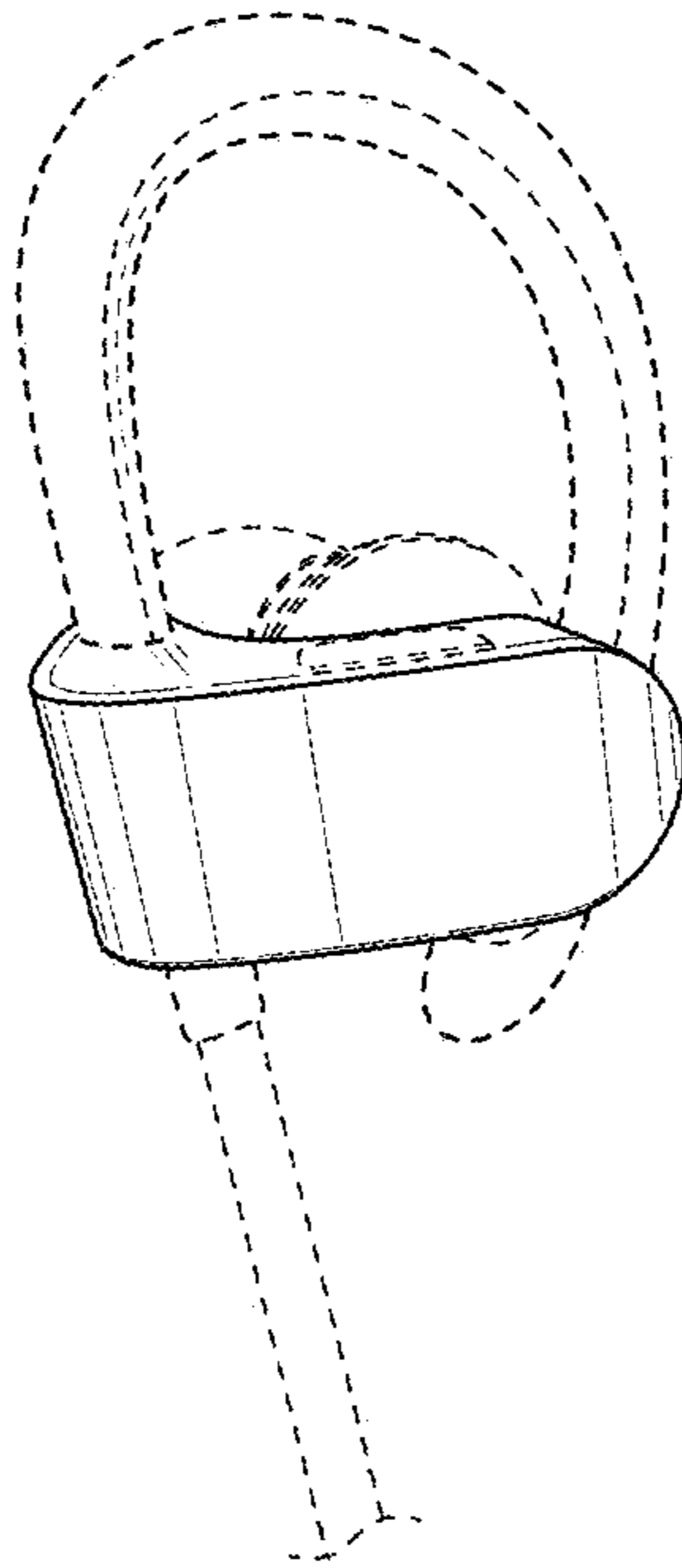
References Cited

U.S. PATENT DOCUMENTS

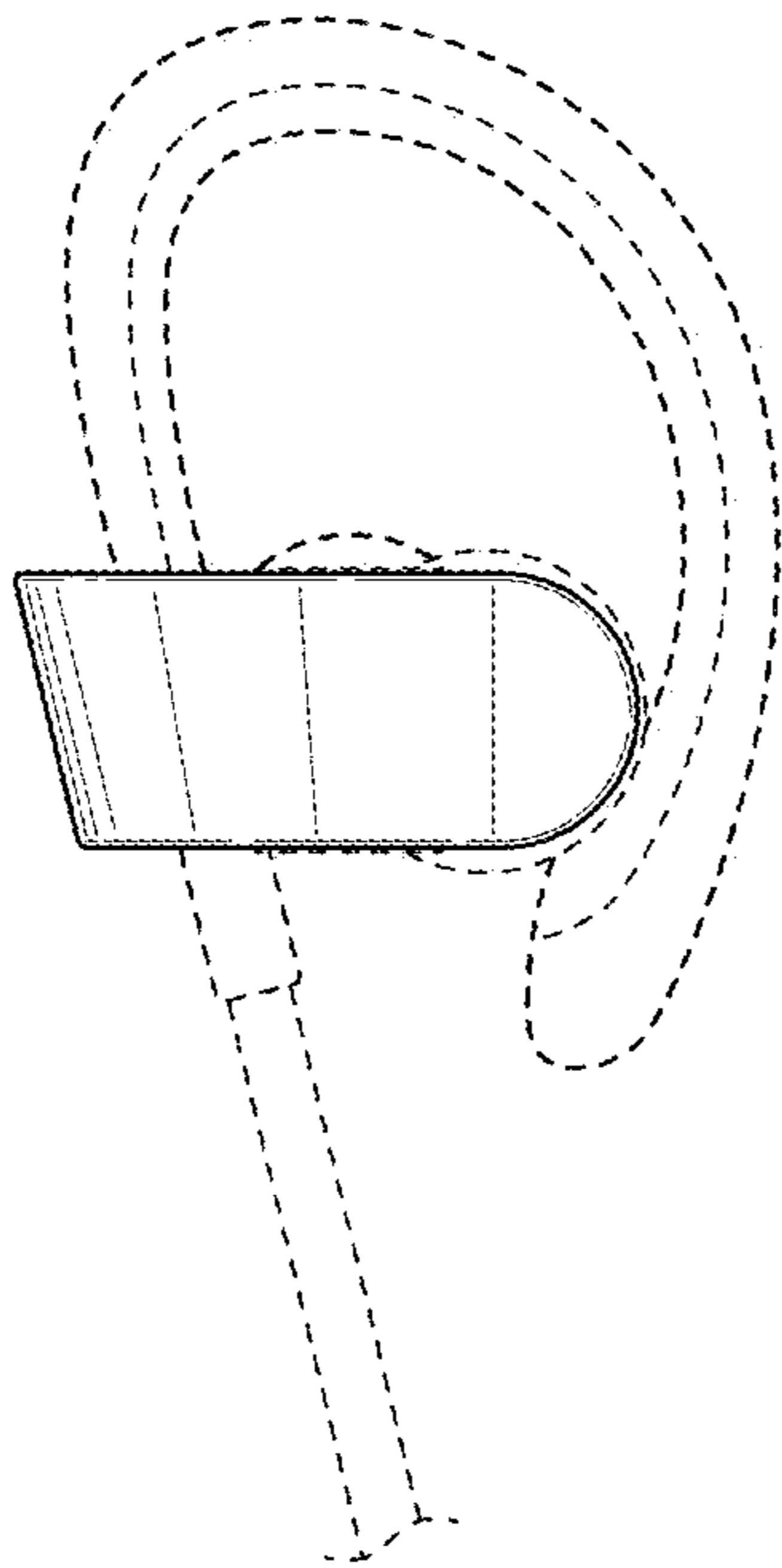
D605,628 S \* 12/2009 Ando ..... D14/205  
 D606,048 S \* 12/2009 Soetejo ..... D14/223  
 D606,971 S \* 12/2009 Christopher ..... D14/205  
 D607,875 S \* 1/2010 Pedersen, II ..... H04R 1/1033  
 D14/206  
 7,648,005 B2 \* 1/2010 Leong ..... A61F 11/08  
 D14/206  
 181/135  
 D609,698 S \* 2/2010 Ng ..... D14/223  
 7,664,287 B2 \* 2/2010 Neu ..... H04R 3/00  
 381/381  
 7,681,577 B2 \* 3/2010 Blanchard ..... A61F 11/08  
 D14/206  
 128/864  
 D613,274 S \* 4/2010 Lee ..... D14/225  
 D614,168 S \* 4/2010 Rogers ..... D14/206  
 7,708,110 B2 \* 5/2010 Leong ..... A61F 11/08  
 D14/206  
 181/135  
 D617,780 S \* 6/2010 Jaakkola ..... D14/223  
 D618,211 S \* 6/2010 Oguro ..... D14/205  
 D618,668 S \* 6/2010 Dunlap ..... D14/223  
 D622,707 S \* 8/2010 Chen ..... D14/223  
 D623,171 S \* 9/2010 Chen ..... D14/223  
 D624,529 S \* 9/2010 Huang ..... D14/223  
 D624,901 S \* 10/2010 Blanchard ..... D14/205  
 D627,764 S \* 11/2010 Tsai ..... D14/223  
 7,841,446 B2 \* 11/2010 Leong ..... A61F 11/08  
 D14/206  
 181/135  
 D628,555 S \* 12/2010 Ponzio ..... D14/205  
 D630,179 S \* 1/2011 Park ..... D14/138 AA  
 D631,037 S \* 1/2011 Park ..... D14/223  
 D631,470 S \* 1/2011 Yoneyama ..... D14/223  
 D634,305 S \* 3/2011 Hoggarth ..... D14/223  
 D635,960 S \* 4/2011 Gondo ..... D14/223  
 D636,763 S \* 4/2011 Walter ..... D14/223  
 D637,182 S \* 5/2011 Lee ..... D14/223  
 D637,998 S \* 5/2011 Brunner ..... D14/205  
 D637,999 S \* 5/2011 Brunner ..... D14/205  
 D641,008 S \* 7/2011 Lee ..... D14/223  
 D641,010 S \* 7/2011 Kwon ..... D14/223  
 D641,736 S \* 7/2011 Brunner ..... D14/223  
 D642,163 S \* 7/2011 Lee ..... D14/223  
 D643,414 S \* 8/2011 Lee ..... D14/223  
 D643,416 S \* 8/2011 Chong ..... D14/223  
 D643,417 S \* 8/2011 Lee ..... D14/223  
 D643,418 S \* 8/2011 Lee ..... D14/223  
 8,068,633 B2 \* 11/2011 Lee ..... H04R 1/1033  
 D14/206  
 381/384  
 D652,817 S \* 1/2012 Lee ..... D14/205  
 D652,822 S \* 1/2012 Lee ..... D14/223

8,090,135 B2 \* 1/2012 Lin ..... H04R 1/1058  
 381/381  
 D678,251 S \* 3/2013 Cantoni ..... D14/223  
 D686,196 S \* 7/2013 Lee ..... D14/223  
 D695,275 S \* 12/2013 Chee ..... D14/223  
 D699,213 S \* 2/2014 Burgett ..... D14/205  
 D700,905 S \* 3/2014 Pavitsich ..... D14/223  
 D707,652 S \* 6/2014 Brunner ..... H04R 1/1016  
 D14/205  
 D710,333 S \* 8/2014 Davies ..... H04R 1/10  
 D14/223  
 D712,382 S \* 9/2014 Brunner ..... D14/223  
 D713,385 S \* 9/2014 Burgett ..... D14/223  
 D713,822 S \* 9/2014 Paradise ..... D14/223  
 D716,770 S \* 11/2014 Bonahoom ..... D14/223  
 D725,637 S \* 3/2015 Nakajima ..... D14/223  
 D730,876 S \* 6/2015 Dahlberg ..... D14/223  
 D734,744 S \* 7/2015 Brunner ..... D14/223  
 D740,260 S \* 10/2015 Brunner ..... D14/223  
 D741,299 S \* 10/2015 Brunner ..... D14/223  
 D743,945 S \* 11/2015 Brunner ..... D14/223  
 D743,946 S \* 11/2015 Brunner ..... D14/223  
 9,197,956 B2 \* 11/2015 Iseberg ..... H04R 1/1016  
 D780,721 S \* 3/2017 Brunner ..... D14/223  
 D792,378 S \* 7/2017 Brunner ..... D14/223  
 D806,684 S \* 1/2018 Tsai ..... D14/223  
 D821,364 S \* 6/2018 Brunner ..... D14/223  
 D838,692 S \* 1/2019 Fu ..... D14/223  
 D843,344 S \* 3/2019 Zhu ..... D14/205  
 D844,588 S \* 4/2019 Brunner ..... D14/223  
 D858,482 S \* 9/2019 Ma ..... D14/205  
 D868,749 S \* 12/2019 Brunner ..... D14/223  
 D878,338 S \* 3/2020 Yang ..... D14/223  
 D881,850 S \* 4/2020 Zhang ..... D14/223  
 D883,259 S \* 5/2020 Ma ..... D14/223  
 D888,023 S \* 6/2020 Gao ..... D14/223  
 D890,137 S \* 7/2020 Ma ..... D14/223  
 D896,204 S \* 9/2020 Brunner ..... D14/223  
 D913,994 S \* 3/2021 Brunner ..... D14/223  
 D915,356 S \* 4/2021 Gao ..... D14/223  
 D915,357 S \* 4/2021 Gao ..... D14/223  
 2011/0051979 A1 \* 3/2011 Lee ..... H04R 1/1016  
 381/380  
 2011/0176700 A1 \* 7/2011 Hashimoto ..... H04R 1/1016  
 381/380  
 2013/0216087 A1 \* 8/2013 MacDonald ..... H04R 1/105  
 381/381  
 2014/0166389 A1 \* 6/2014 Young-Mun ..... H04R 1/1016  
 181/135  
 2017/0359644 A1 \* 12/2017 Cramer ..... H04R 1/105

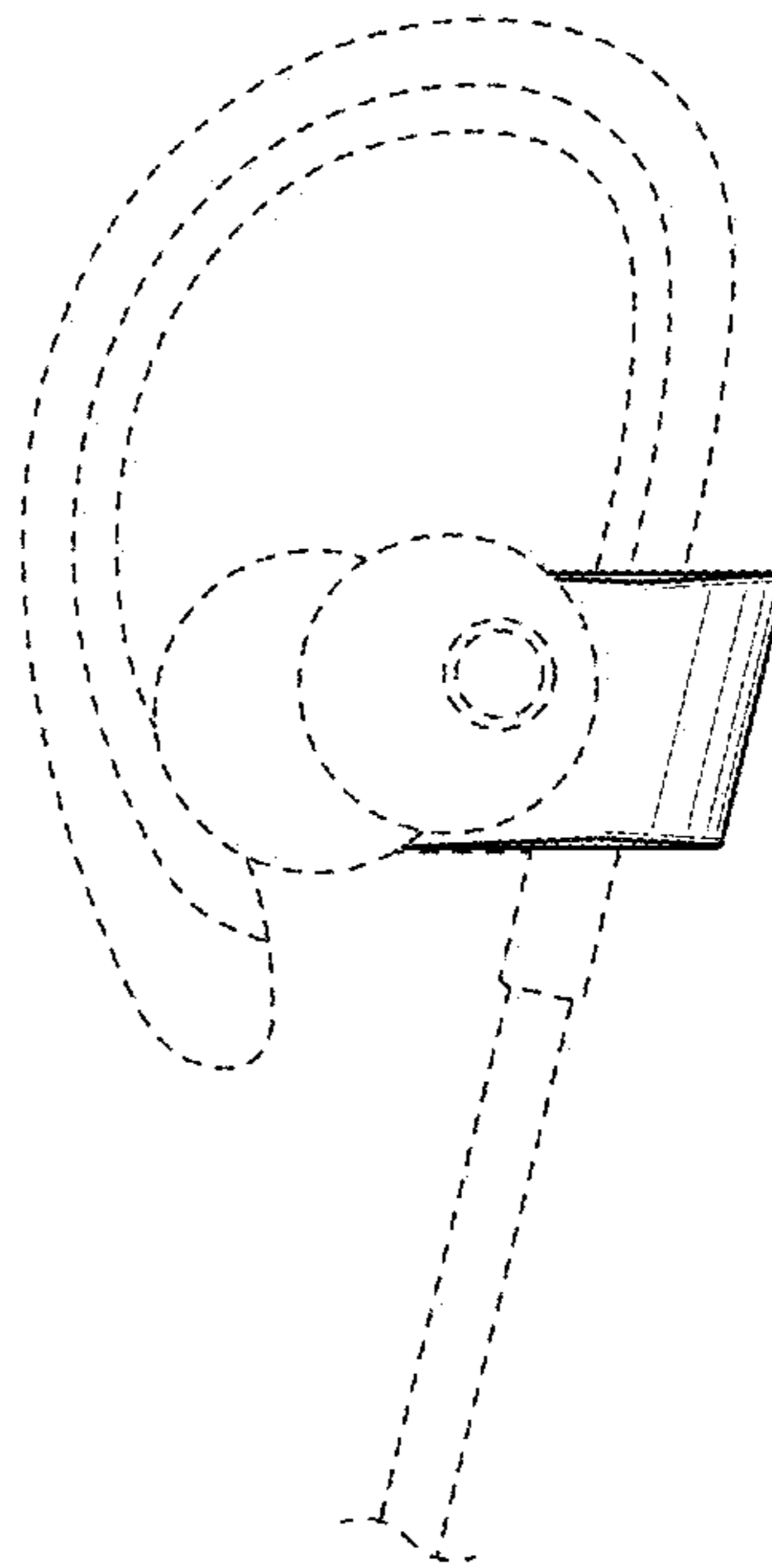
\* cited by examiner



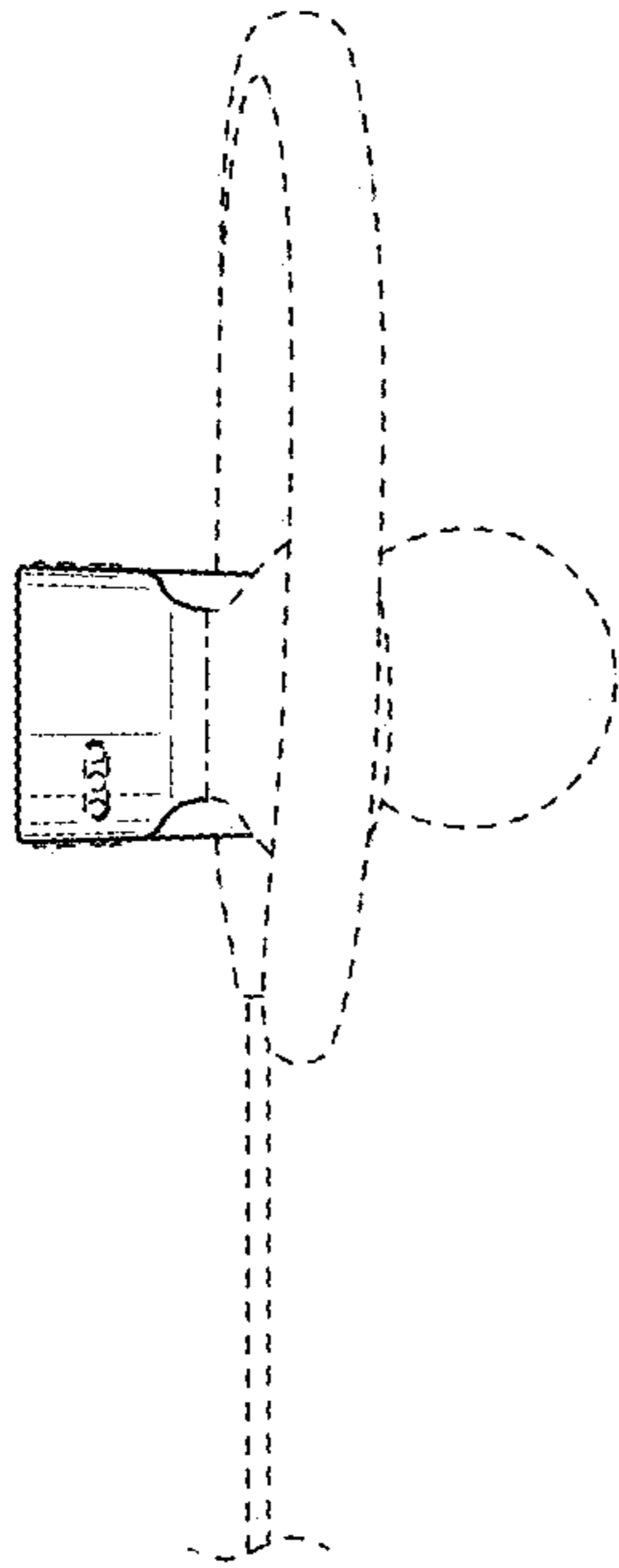
**FIG. 1**



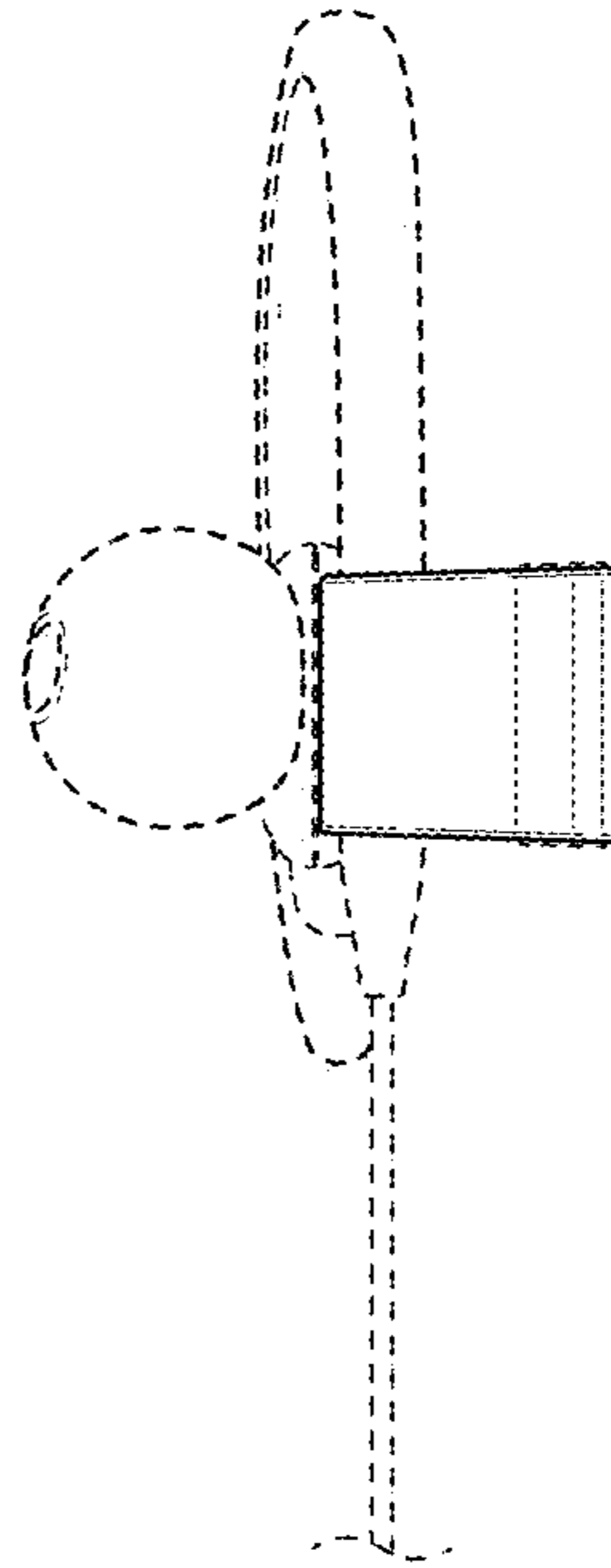
**FIG. 2**



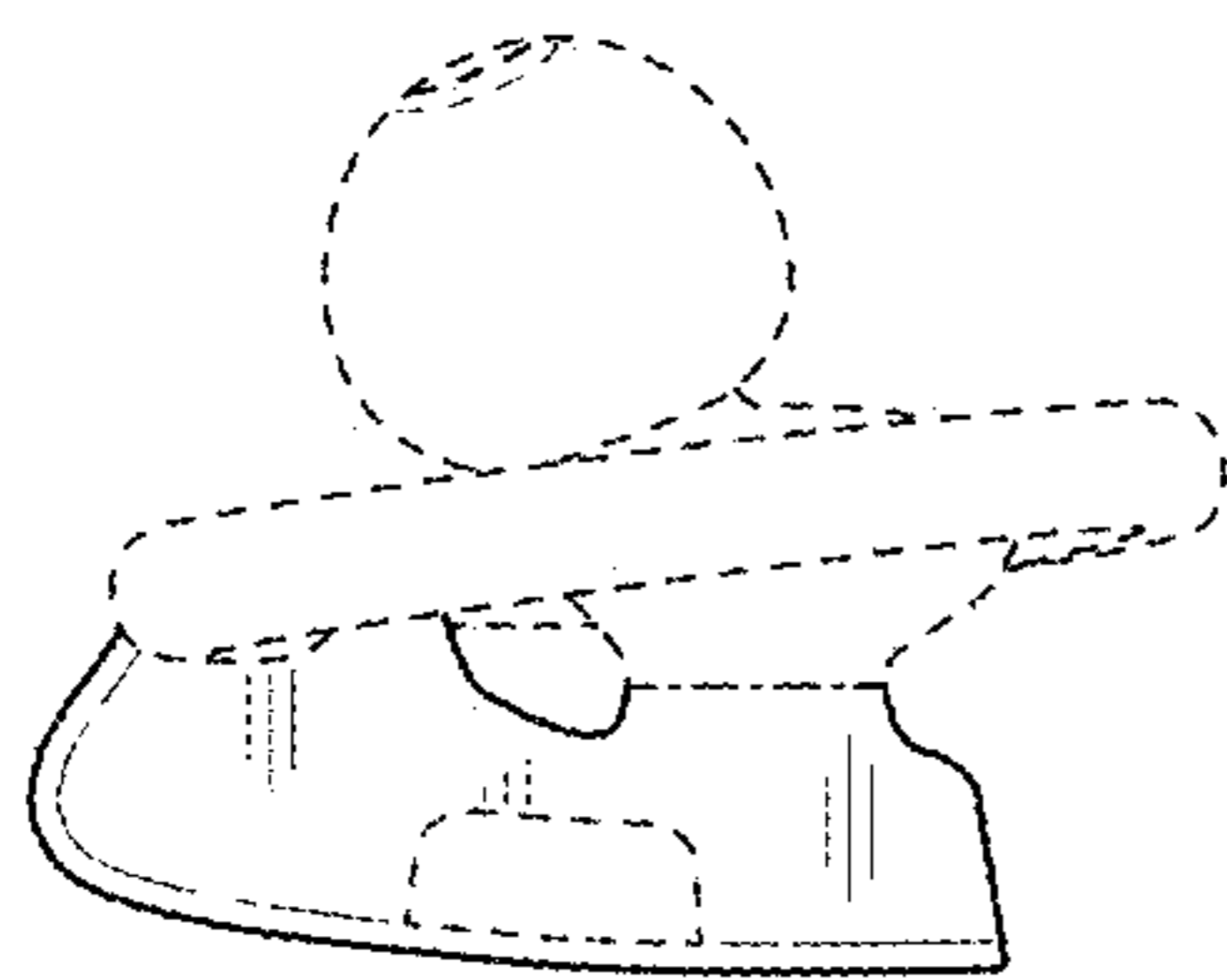
**FIG. 3**



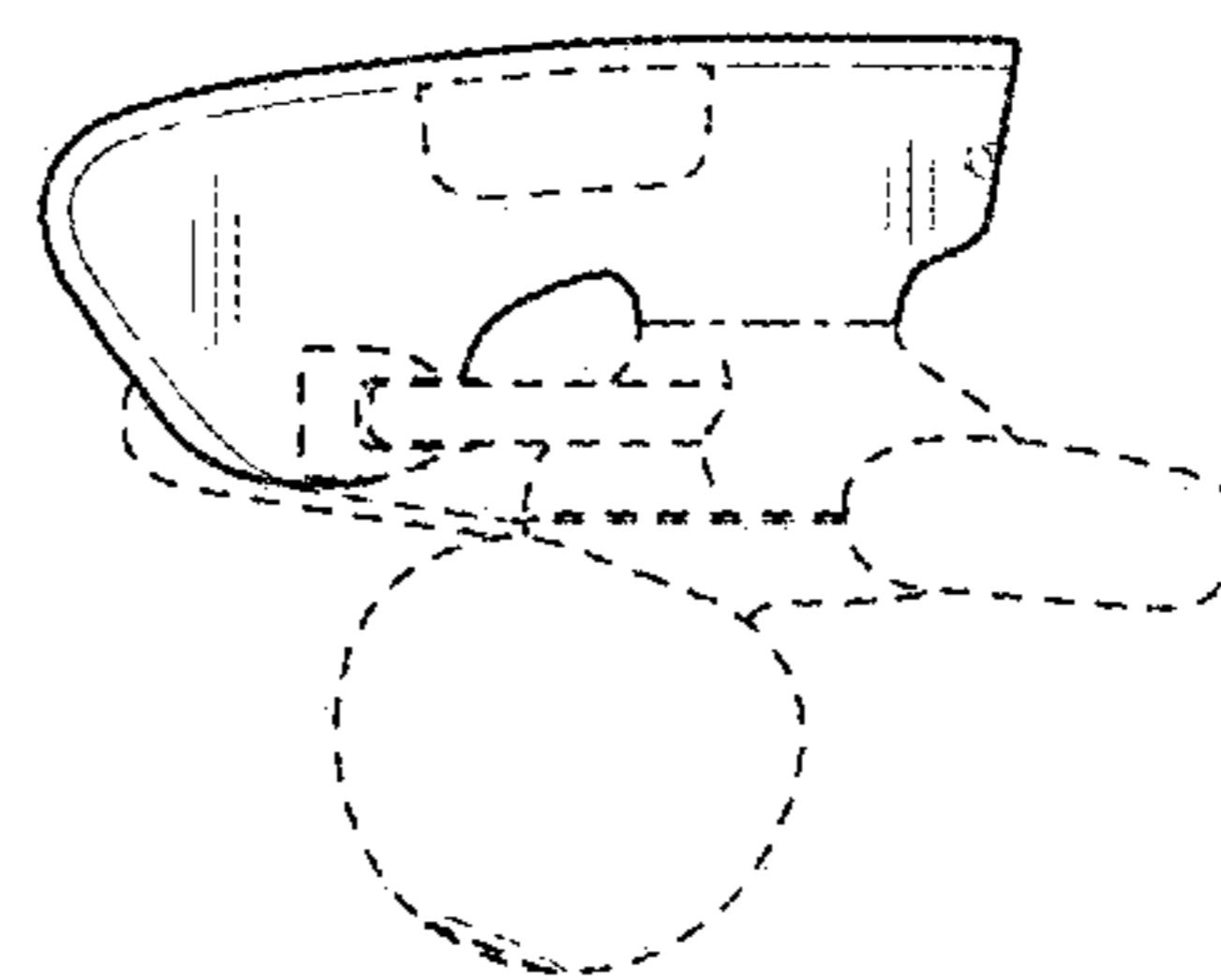
**FIG. 4**



**FIG. 5**



**FIG. 6**



**FIG. 7**