

US00D934204S

(12) **United States Design Patent**  
**Liao**

(10) **Patent No.:** **US D934,204 S**

(45) **Date of Patent:** **\*\* Oct. 26, 2021**

- (54) **PAIR OF EARPHONES**
- (71) Applicant: **Guangzhou Fairy Tale Electronics Co., Ltd.**, Guangzhou (CN)
- (72) Inventor: **Minhui Liao**, Changde (CN)
- (73) Assignee: **GUANGZHOU FAIRY TALE ELECTRONICS CO., LTD.**, Guangzhou (CN)

- 5,420,935 A \* 5/1995 Shinohara ..... H04R 1/1016  
381/370
- 6,084,976 A \* 7/2000 Lin ..... H04R 1/1016  
181/129
- D430,146 S \* 8/2000 Lin ..... D14/223
- D531,169 S \* 10/2006 Tokioka ..... D14/223
- D554,627 S \* 11/2007 Gondo ..... D14/223
- D567,217 S \* 4/2008 Kamo ..... D14/205
- D572,703 S \* 7/2008 Ledbetter ..... D14/205

(Continued)

(\*\*) Term: **15 Years**

(21) Appl. No.: **29/774,108**

(22) Filed: **Mar. 15, 2021**

(51) **LOC (13) Cl.** ..... **14-01**

(52) **U.S. Cl.**  
USPC ..... **D14/223**

(58) **Field of Classification Search**  
USPC ..... D14/223, 205; D24/174; D13/108;  
128/864, 865, 866; 320/116; 381/380,  
381/381, 374, 370, 74; 455/90.3, 575.1,  
455/569.1  
CPC . H04R 1/10; H04R 1/02; H04R 25/00; H04R  
25/02; H04R 1/1016; H04R 5/033; H04R  
5/0335; H04R 1/1058; H04R 1/1091;  
H04R 9/06; H02J 7/02  
See application file for complete search history.

(56) **References Cited**

**U.S. PATENT DOCUMENTS**

- 2,441,747 A \* 5/1948 Beshgetoor ..... B29D 11/00269  
76/107.1
- 2,875,543 A \* 3/1959 Sylvester ..... D06Q 1/00  
428/30
- 3,197,576 A \* 7/1965 Martin ..... H04R 25/656  
381/322
- 4,672,672 A \* 6/1987 Eggert ..... H04R 25/603  
381/324
- 5,363,444 A \* 11/1994 Norris ..... H04M 1/19  
379/430

**FOREIGN PATENT DOCUMENTS**

- EM 003785278-0002 \* 3/2017
- EM 003785278-0003 \* 3/2017

(Continued)

*Primary Examiner* — Paula Allen Greene

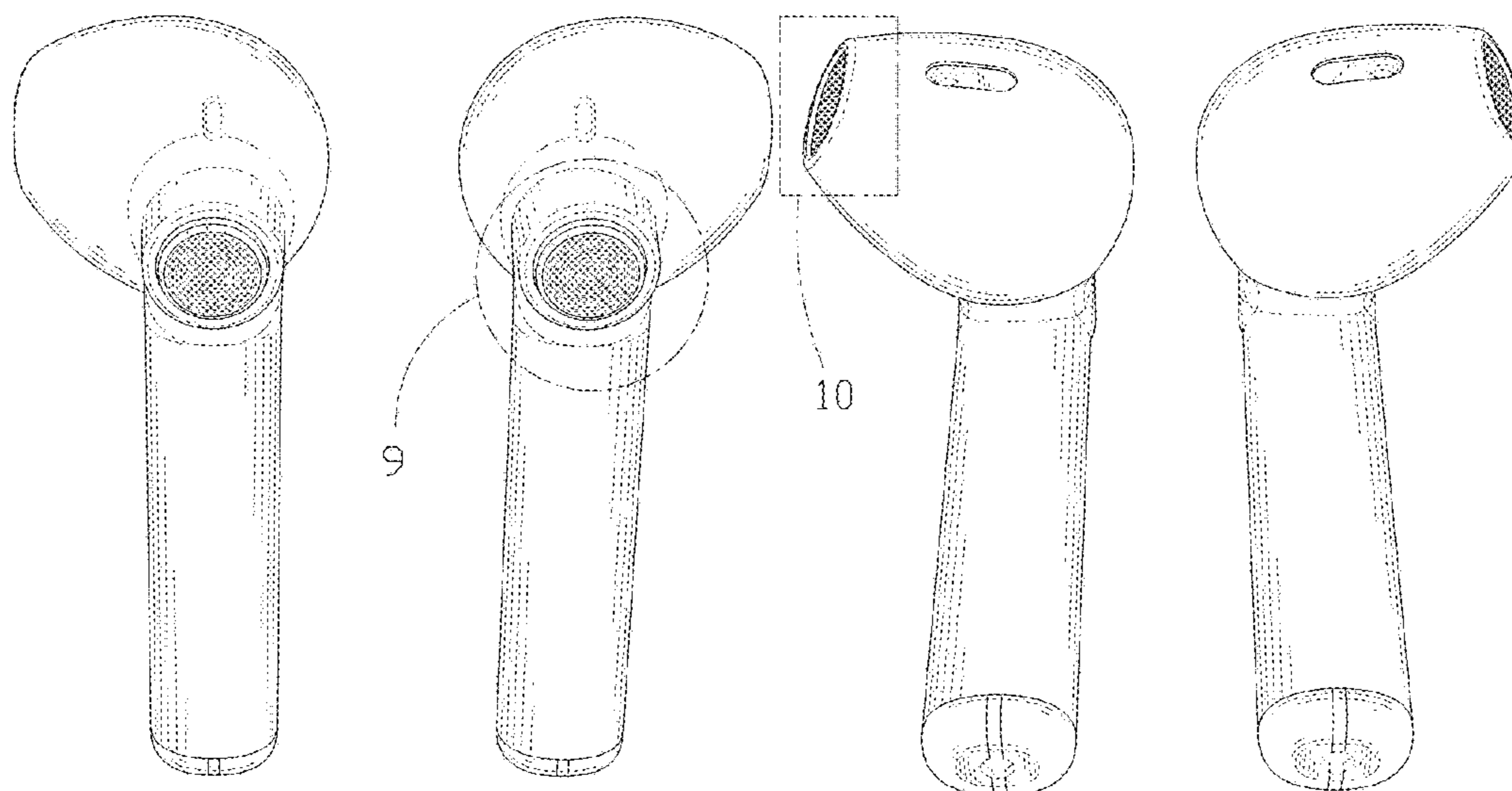
(57) **CLAIM**

The ornamental design for pair of earphones, as shown and described.

**DESCRIPTION**

FIG. 1 is a perspective view of pair of earphones showing my new design;  
FIG. 2 is another perspective view thereof;  
FIG. 3 is a front elevational view thereof;  
FIG. 4 is a rear elevational view thereof;  
FIG. 5 is a left side elevational view thereof;  
FIG. 6 is a right side elevational view thereof;  
FIG. 7 is a top plan view thereof;  
FIG. 8 is a bottom plan view thereof;  
FIG. 9 is an enlarged view of the encircled portion 9 of FIG. 1 thereof; and,  
FIG. 10 is an enlarged view of the encircled portion 10 of FIG. 2 thereof.  
The broken lines in the drawings are for the purpose of illustrating portions of the earphones that form no part of the claimed design.

**1 Claim, 10 Drawing Sheets**



(56)

References Cited

U.S. PATENT DOCUMENTS

D573,978 S \* 7/2008 Ledbetter ..... D14/205  
 D576,154 S \* 9/2008 Ledbetter ..... D14/223  
 D587,681 S \* 3/2009 Yanai ..... D14/205  
 D598,894 S \* 8/2009 Masuda ..... D14/205  
 D606,049 S \* 12/2009 Matsuda ..... D14/205  
 D627,764 S \* 11/2010 Tsai ..... D14/223  
 D629,395 S \* 12/2010 Lee ..... D14/223  
 D643,416 S \* 8/2011 Chong ..... D14/223  
 D652,823 S \* 1/2012 Chen ..... H04R 1/1016  
 D660,290 S \* 5/2012 Weedon ..... D14/223  
 8,265,322 B2 \* 9/2012 Uchida ..... H04R 1/1075  
 D681,015 S \* 4/2013 Akana ..... H04R 1/10  
 D691,594 S \* 10/2013 Akana ..... D14/223  
 8,831,266 B1 \* 9/2014 Huang ..... H04R 1/2811  
 D718,286 S \* 11/2014 Yang ..... D14/223  
 D730,876 S \* 6/2015 Dahlberg ..... D14/223  
 D738,863 S \* 9/2015 Laffon de Mazieres .... D14/223  
 D751,530 S \* 3/2016 Kolton ..... D14/205  
 D757,682 S \* 5/2016 Perez ..... D14/205  
 D762,196 S \* 7/2016 Hsieh ..... D14/223  
 D762,616 S \* 8/2016 Hsieh ..... D14/205  
 D770,412 S \* 11/2016 Son ..... D14/205  
 D775,108 S \* 12/2016 Hsieh ..... D14/223  
 D801,314 S \* 10/2017 Akana ..... D14/223  
 D806,685 S \* 1/2018 Park ..... D14/223  
 D820,809 S \* 6/2018 Akana ..... D14/205  
 D822,009 S \* 7/2018 Matoba ..... D14/223  
 D829,193 S \* 9/2018 Cai ..... D14/223  
 D830,336 S \* 10/2018 Cai ..... D14/205  
 D830,345 S \* 10/2018 Cai ..... D14/223  
 D847,125 S \* 4/2019 Akana ..... D14/223  
 D861,647 S \* 10/2019 Chen ..... D14/223  
 D864,919 S \* 10/2019 Bonahoom ..... D14/223  
 D869,445 S \* 12/2019 Hu ..... D14/223  
 D877,722 S \* 3/2020 Yang ..... D14/223  
 D878,045 S \* 3/2020 Akana ..... D3/274  
 D878,337 S \* 3/2020 Yang ..... D14/223  
 D882,553 S \* 4/2020 Wu ..... D14/223  
 D896,788 S \* 9/2020 Akana ..... D14/223  
 D897,997 S \* 10/2020 Zhang ..... D14/223  
 D903,639 S \* 12/2020 Yang ..... D14/223  
 D907,008 S \* 1/2021 Yao ..... D14/223  
 D912,017 S \* 3/2021 Chen ..... D14/223

D914,644 S \* 3/2021 Zhu ..... D14/223  
 D914,649 S \* 3/2021 Chen ..... D14/223  
 D914,652 S \* 3/2021 Chen ..... D14/223  
 D918,179 S \* 5/2021 Zhao ..... D14/223  
 D924,851 S \* 7/2021 Li ..... D14/223  
 D927,465 S \* 8/2021 Wang ..... D14/223  
 D929,972 S \* 9/2021 Akana ..... D14/223  
 2008/0013774 A1 \* 1/2008 Hosaka ..... H04R 1/2842  
 2008/0044003 A1 \* 2/2008 Yang ..... H04R 1/1016  
 2011/0317864 A1 \* 12/2011 Kaneko ..... H04R 1/1066  
 2012/0057738 A1 \* 3/2012 Lin ..... H04R 1/1091  
 2012/0237074 A1 \* 9/2012 Aase ..... H04R 1/1075  
 2013/0004011 A1 \* 1/2013 Hayashida ..... H04R 1/345  
 2013/0170692 A1 \* 7/2013 Kaneko ..... H04R 1/1033  
 2014/0205125 A1 \* 7/2014 Triato ..... H04R 1/105  
 2016/0205458 A1 \* 7/2016 Huang ..... H04R 1/1016  
 2018/0091965 A1 \* 3/2018 Watson ..... H04W 52/0209  
 2020/0107098 A1 \* 4/2020 DiFonzo ..... H01F 41/0246  
 2020/0275182 A1 \* 8/2020 Ettensberger ..... H04R 1/1016  
 2020/0304898 A1 \* 9/2020 Cohen ..... H04R 1/02  
 2021/0266653 A1 \* 8/2021 Cao ..... H04R 9/06

FOREIGN PATENT DOCUMENTS

EM 008084289-0001 \* 8/2020  
 EM 008132765-0002 \* 8/2020  
 EM 008132765-0003 \* 8/2020  
 EM 008204424-0001 \* 10/2020  
 EM 008255251-0001 \* 11/2020  
 EM 008370944-0001 \* 12/2020  
 GB 9006395109-0001 \* 4/2019  
 GB 9006622916-0001 \* 7/2019  
 GB 9007337308-0001 \* 12/2019  
 GB 9008038442-0001 \* 7/2020  
 GB 9008042147-0001 \* 7/2020  
 GB 6120690 \* 2/2021  
 JP D1324695 \* 2/2008  
 JP D1440201 \* 4/2012  
 JP D1465395 \* 2/2013

\* cited by examiner

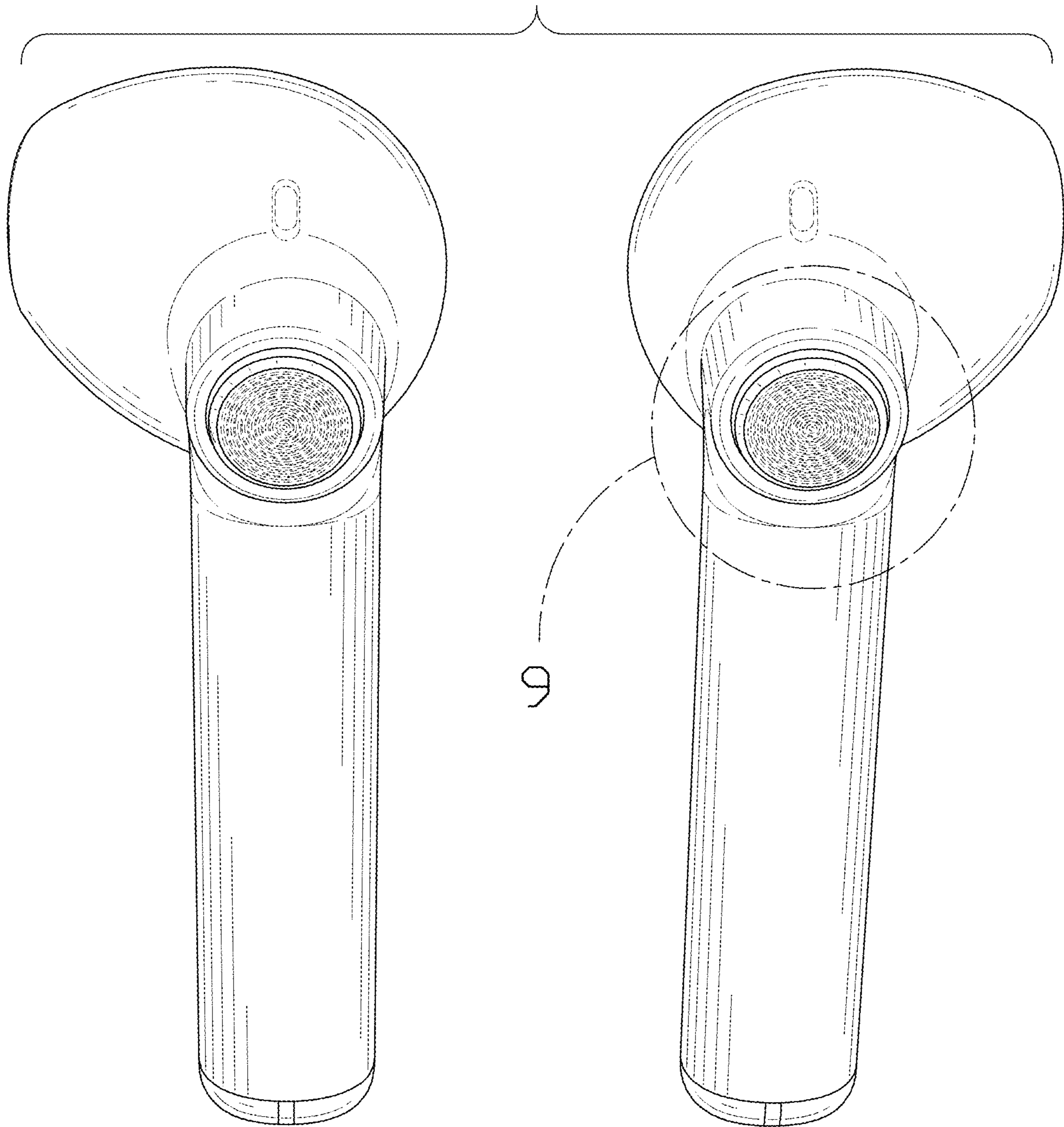


FIG. 1

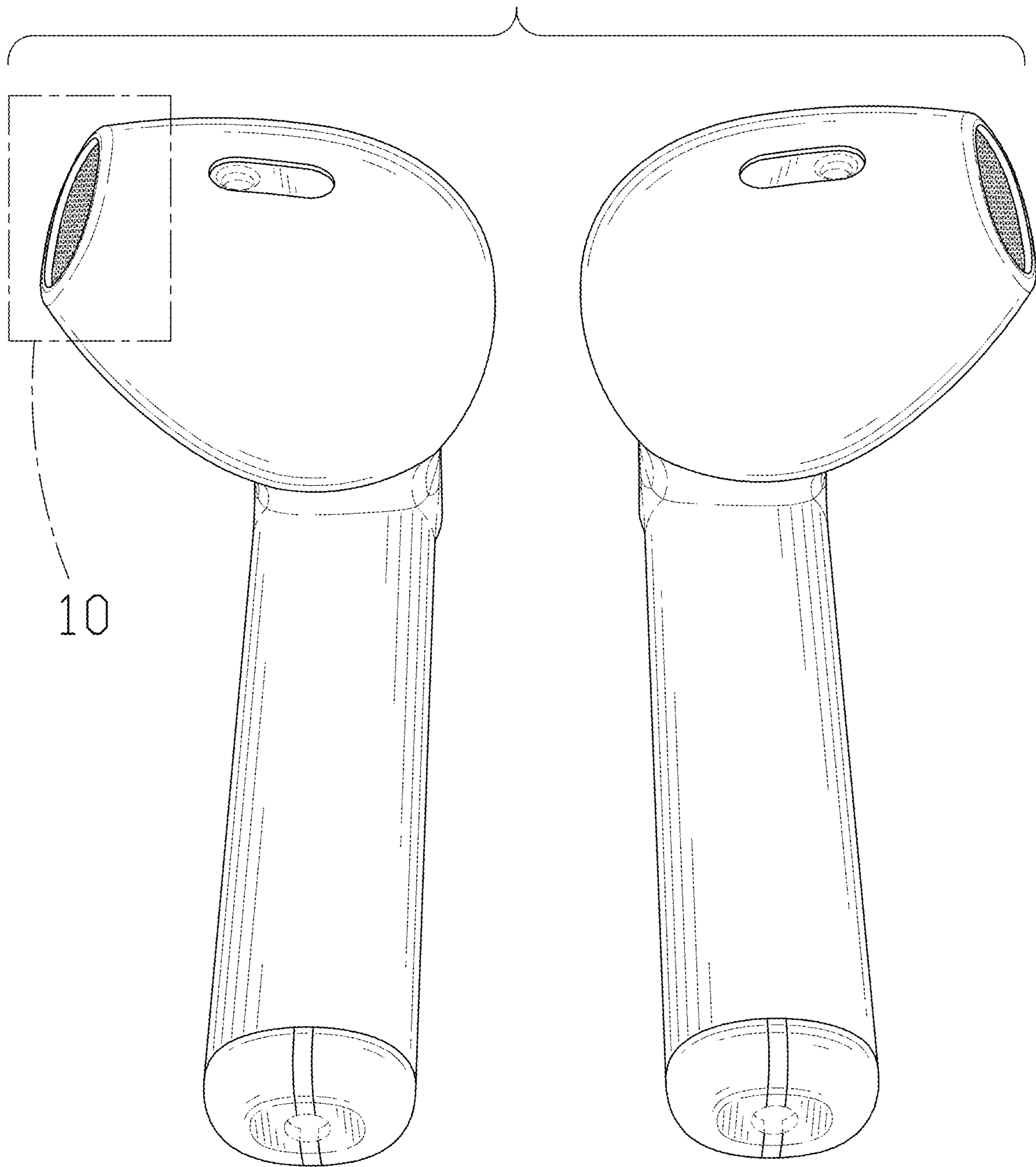


FIG. 2

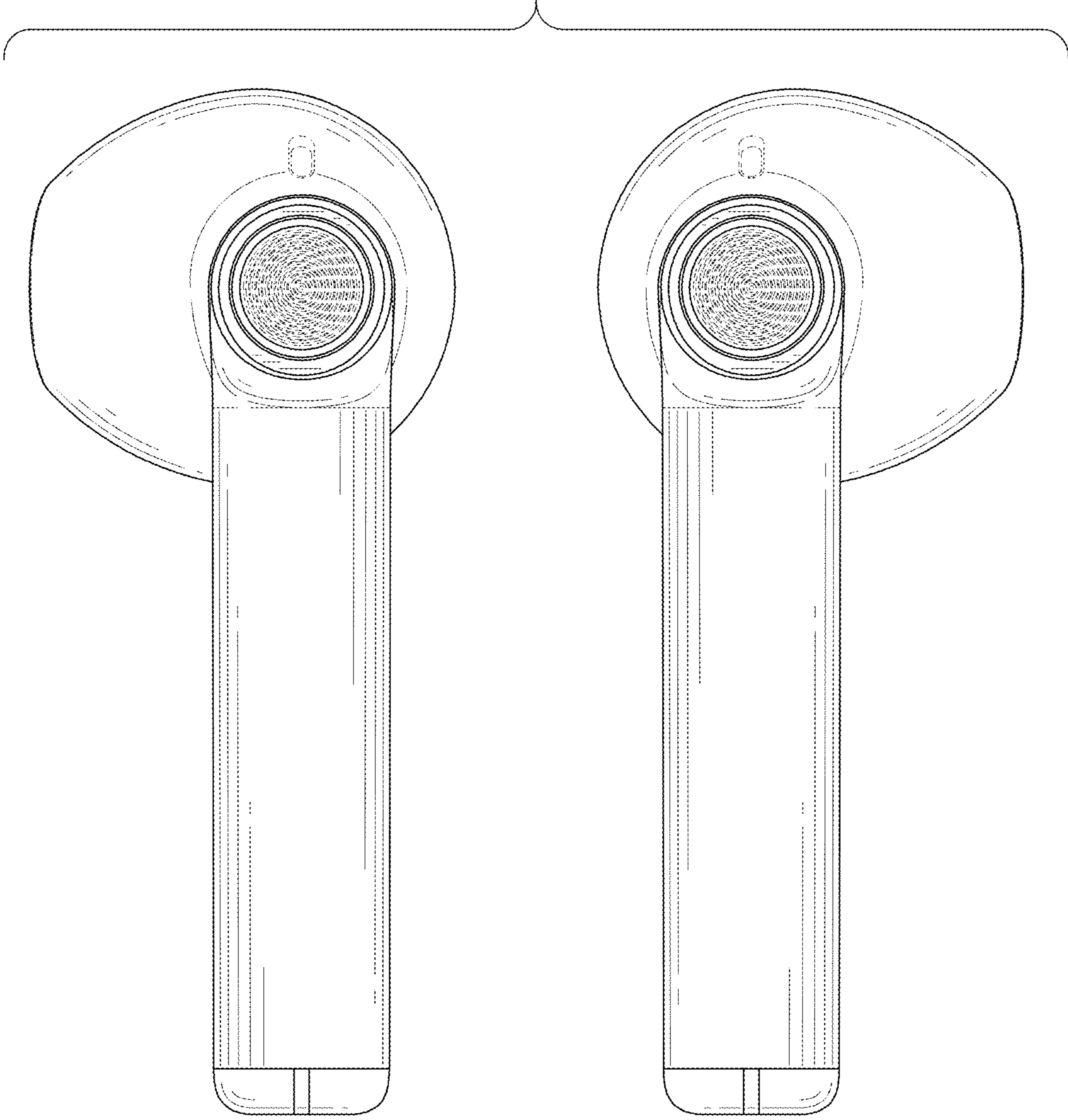


FIG. 3

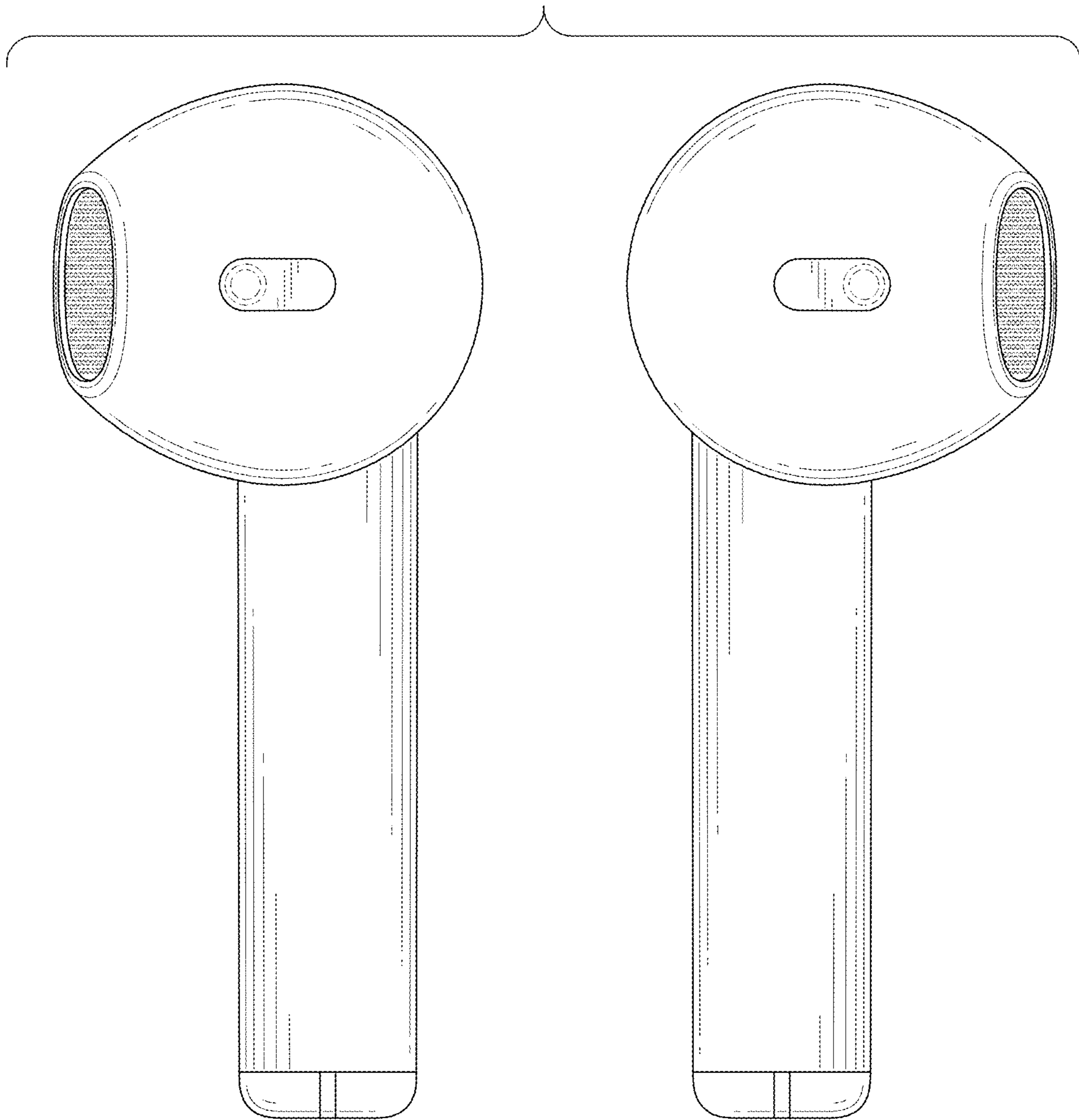


FIG. 4

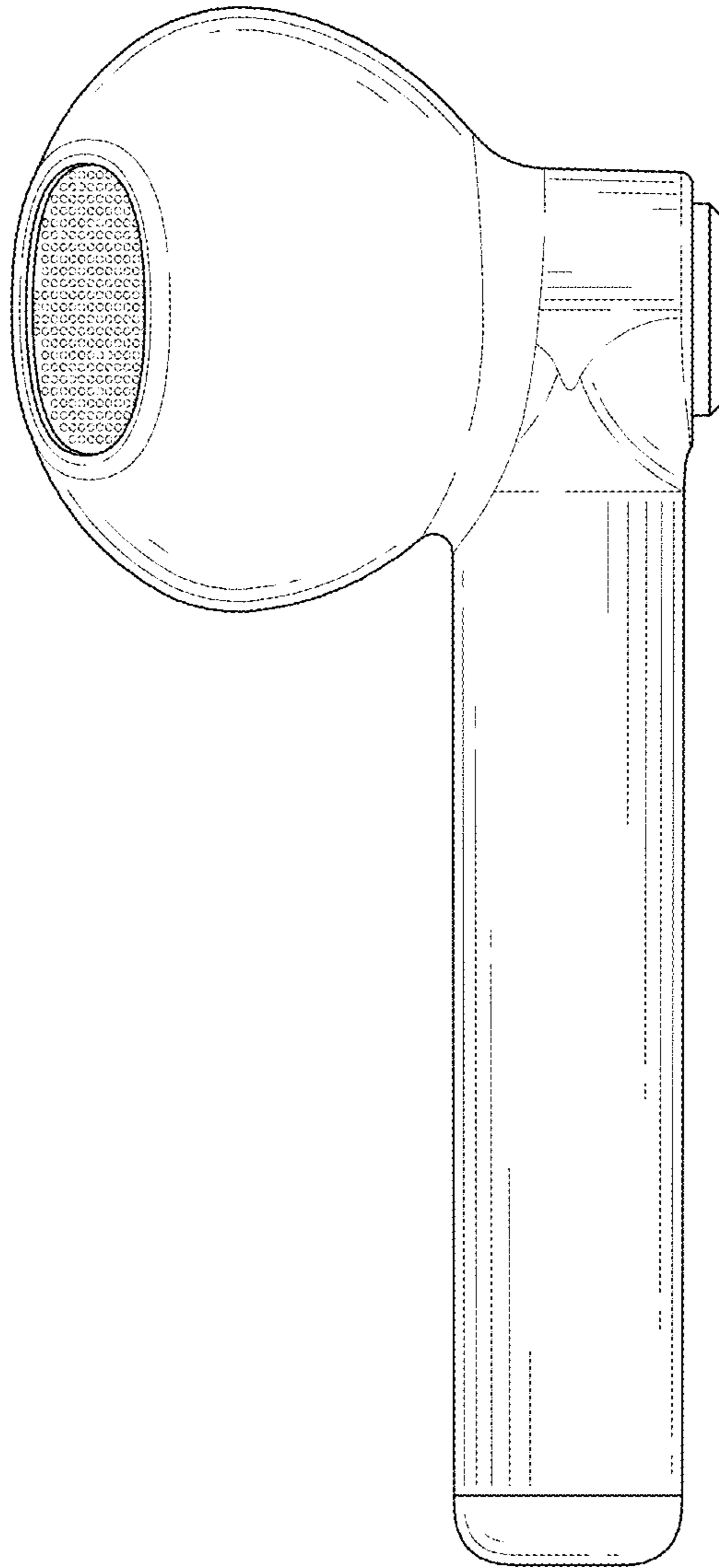


FIG. 5

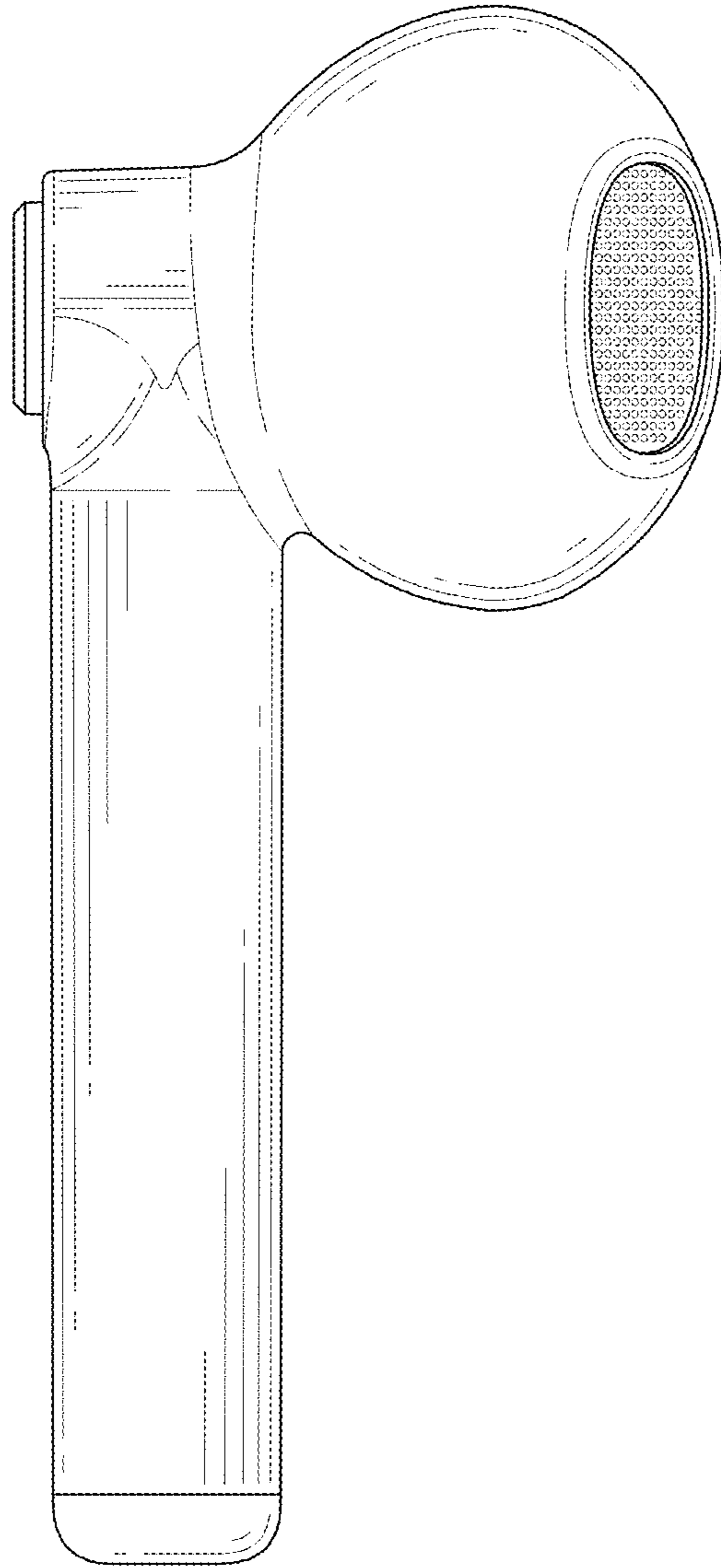


FIG. 6



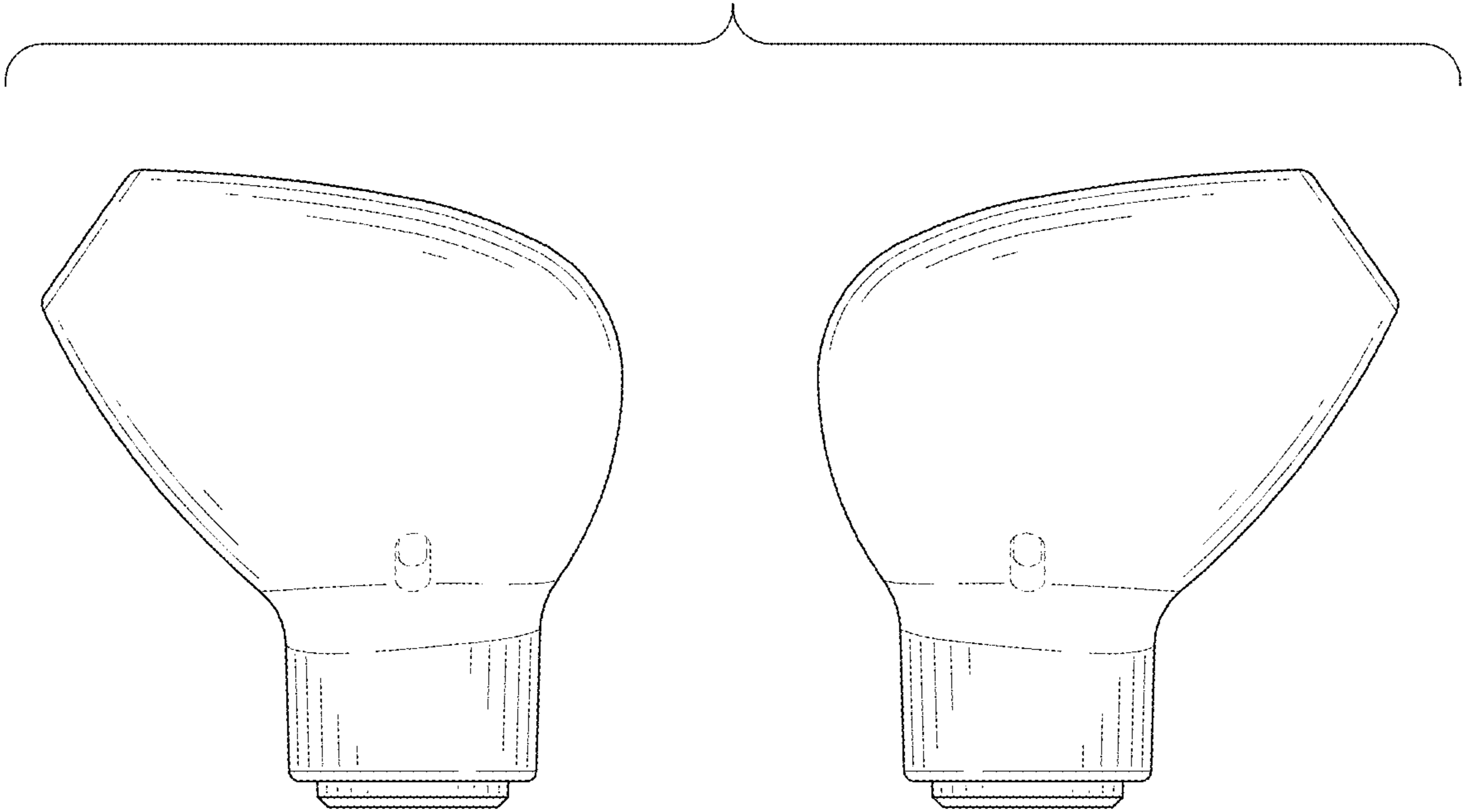


FIG. 7

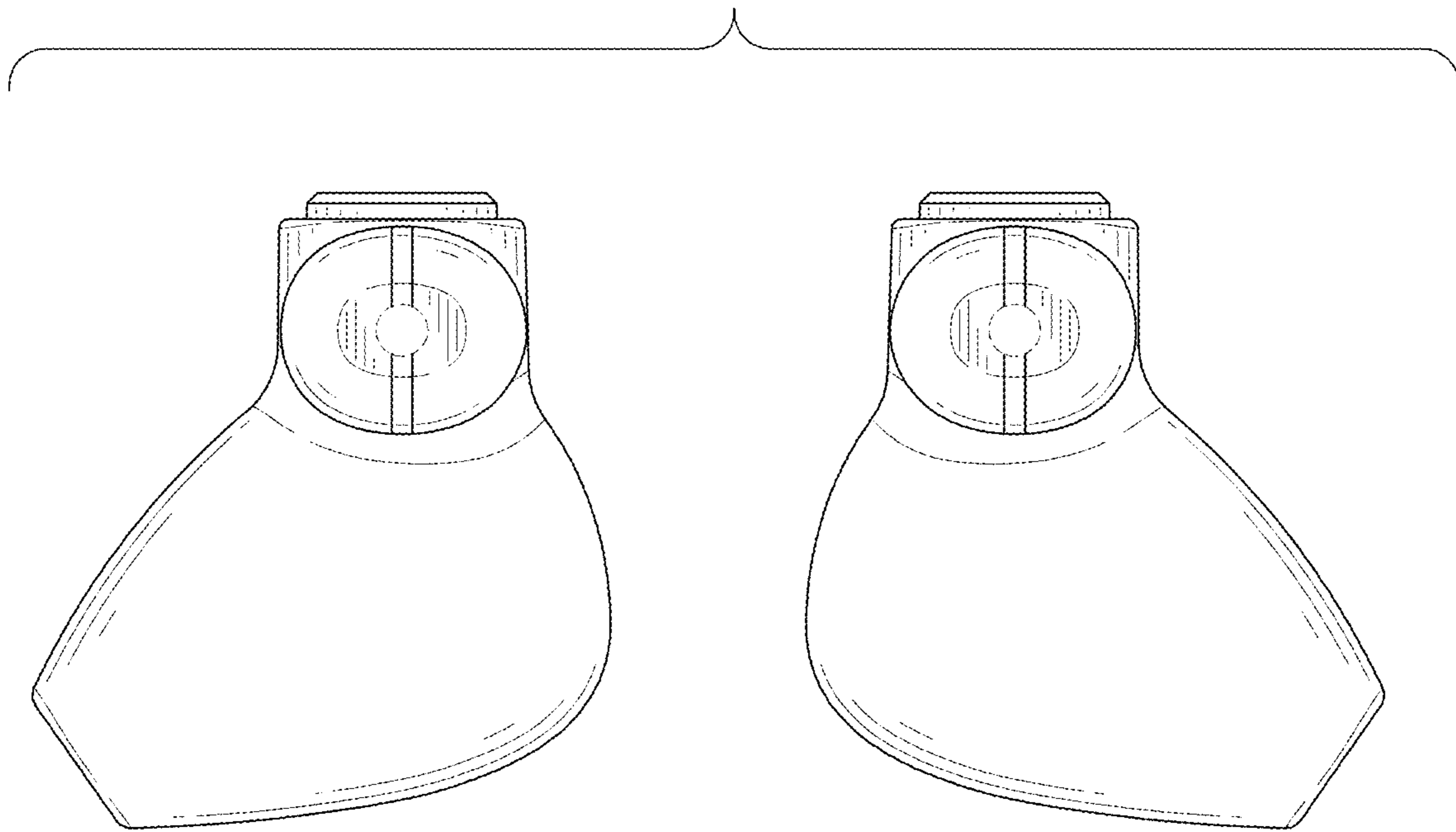


FIG. 8

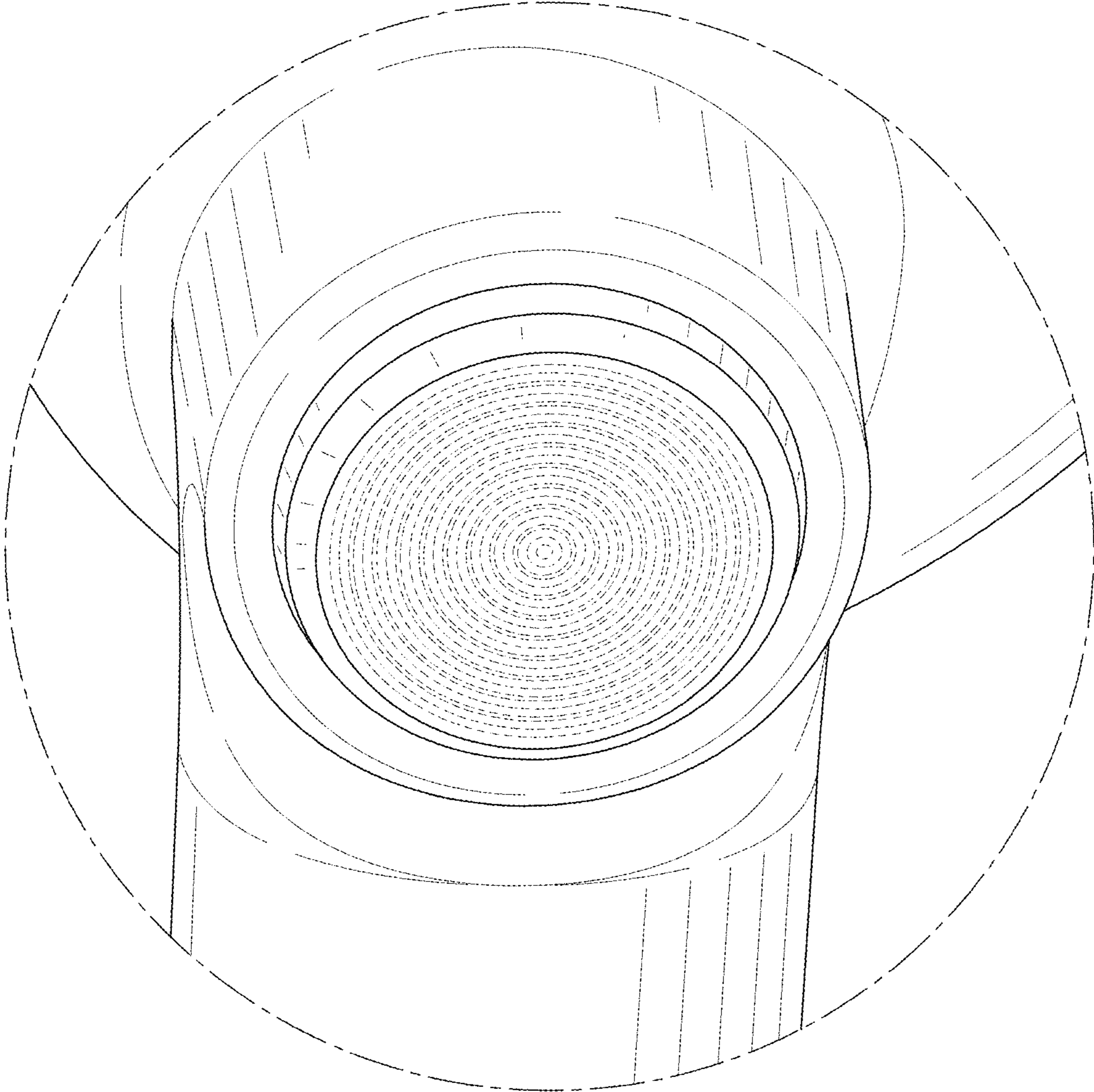


FIG. 9

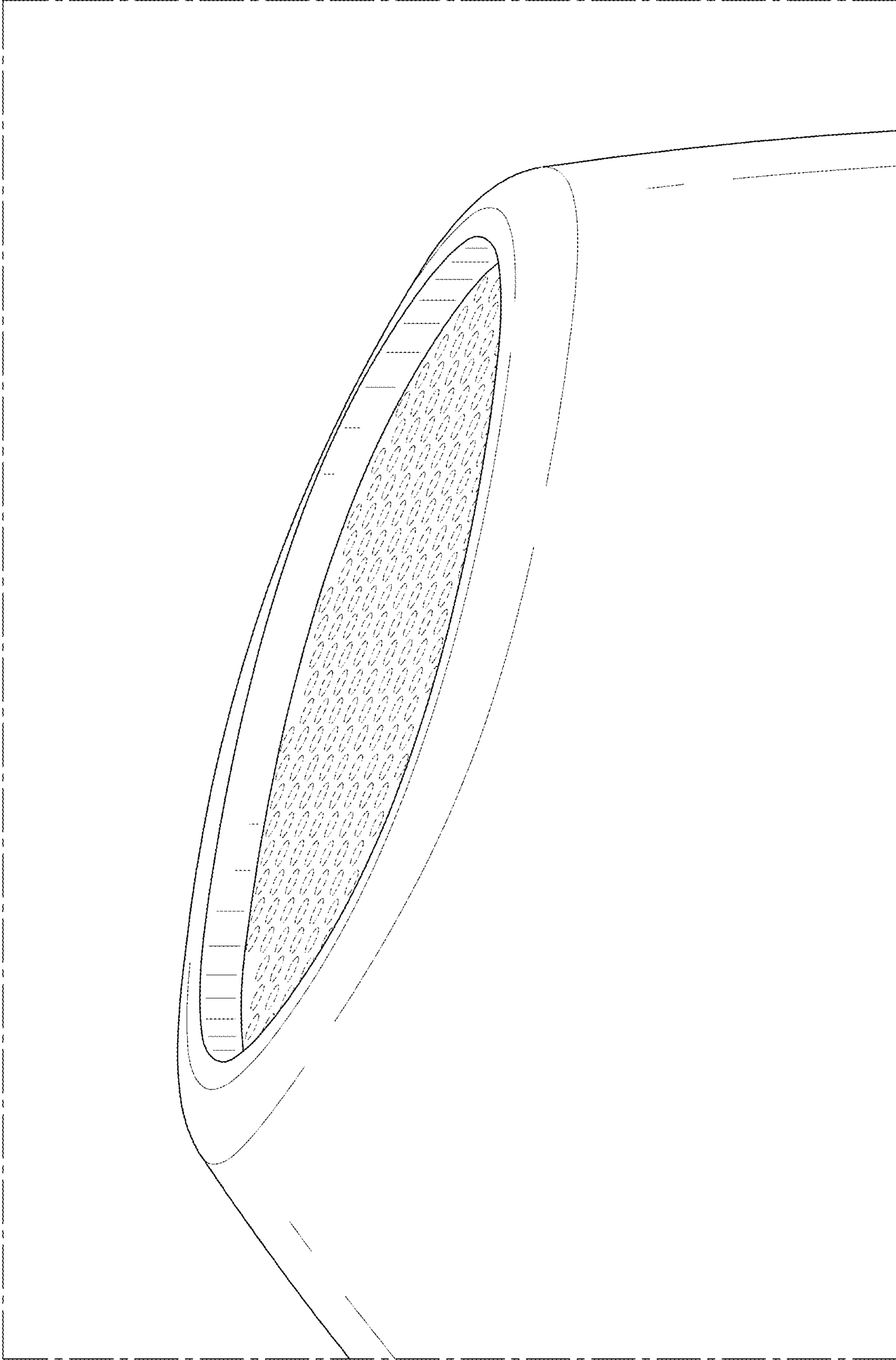


FIG. 10