



US00D934201S

(12) **United States Design Patent**  
**Liao**

(10) **Patent No.:** **US D934,201 S**

(45) **Date of Patent:** **\*\* Oct. 26, 2021**

(54) **RACK OF A STABILIZER**

(71) Applicant: **GUILIN ZHISHEN INFORMATION TECHNOLOGY CO., LTD.**, Guznngxi (CN)

(72) Inventor: **Yilun Liao**, Guangxi (CN)

(\*\*) Term: **15 Years**

(21) Appl. No.: **29/660,738**

(22) Filed: **Aug. 22, 2018**

(30) **Foreign Application Priority Data**

Jun. 1, 2018 (CN) ..... 201830270437.6

(51) **LOC (13) Cl.** ..... **14-01**

(52) **U.S. Cl.**  
USPC ..... **D14/217; D16/243**

(58) **Field of Classification Search**  
USPC ..... D8/354, 355, 363; D14/224, 229, 238,  
D14/251, 253, 447, 451, 457; D16/219,  
D16/239–250; D21/324, 325, 332, 333  
See application file for complete search history.

(56) **References Cited**

**U.S. PATENT DOCUMENTS**

D780,825 S *	3/2017	Kim	.....	D10/103
D785,073 S *	4/2017	Wang	.....	D16/242
D790,000 S *	6/2017	Wang	.....	D16/200
D794,606 S *	8/2017	Zheng	.....	D14/217
D796,482 S *	9/2017	Zheng	.....	D14/217
D799,448 S *	10/2017	Zheng	.....	D14/217
D810,171 S *	2/2018	Kim	.....	D16/206
D810,806 S *	2/2018	Kim	.....	D16/206
D813,924 S *	3/2018	Zheng	.....	D16/203
D814,545 S *	4/2018	Kim	.....	D16/206
D824,882 S *	8/2018	Zheng	.....	D14/217
D826,310 S *	8/2018	Wang	.....	D16/243
D836,699 S *	12/2018	Kim	.....	D16/206

D849,497 S *	5/2019	Wang	.....	D8/71
D850,520 S *	6/2019	Voss	.....	D16/243
D857,786 S *	8/2019	Kim	.....	D16/243
D863,411 S *	10/2019	Liao	.....	D16/243
D863,412 S *	10/2019	Liao	.....	D16/245
D865,028 S *	10/2019	Hogstedt	.....	D16/206
D866,647 S *	11/2019	Kim	.....	D16/243

(Continued)

*Primary Examiner* — Michael C Stout  
*Assistant Examiner* — Fitzgerald L Butac

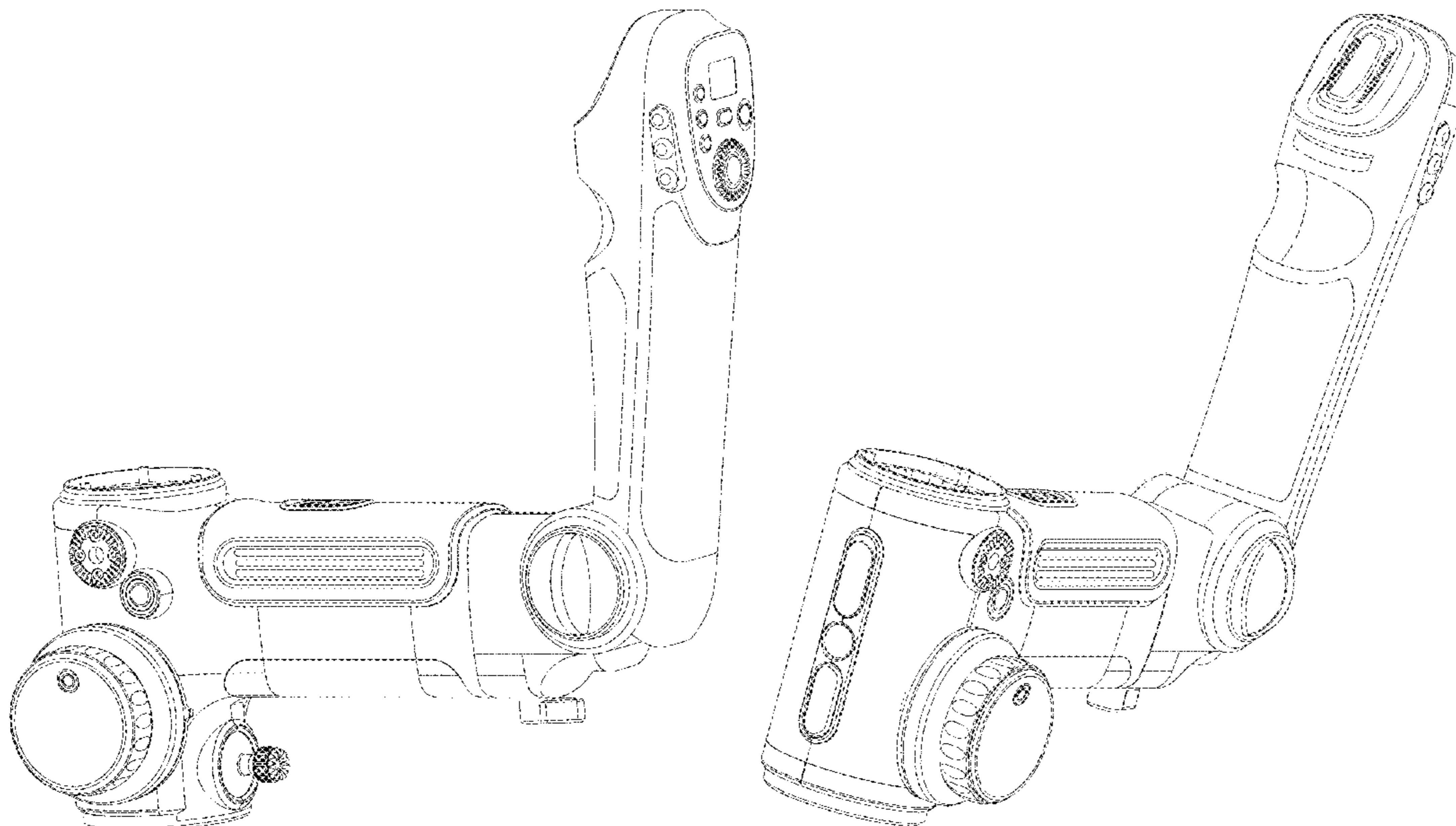
(57) **CLAIM**

The ornamental design for a rack of a stabilizer, as shown and described.

**DESCRIPTION**

FIG. 1 is a front side perspective view of a rack of a stabilizer;  
 FIG. 2 is another side perspective view of the rack of the stabilizer;  
 FIG. 3 is a front side elevation view of the rack of the stabilizer;  
 FIG. 4 is a rear side elevation view of the rack of the stabilizer;  
 FIG. 5 is a left side elevation view of the rack of the stabilizer;  
 FIG. 6 is a right side elevation view of the rack of the stabilizer;  
 FIG. 7 is a top plan view of the rack of the stabilizer;  
 FIG. 8 is a bottom plan view of the rack of the stabilizer;  
 and,  
 FIG. 9 is a usage state reference view when the rack of the stabilizer is used with a tripod.  
 The broken lines shown portions of a rack of a stabilizer that form no part of the claimed design. The broken lines seen in FIG. 9 are for the purpose of showing environmental structure, and form no part of the claimed design.

**1 Claim, 9 Drawing Sheets**



(56)

**References Cited**

U.S. PATENT DOCUMENTS

D868,877 S \* 12/2019 Lin ..... D16/243  
D870,182 S \* 12/2019 Lin ..... D16/206  
D870,188 S \* 12/2019 Tian ..... D16/242  
2018/0274720 A1\* 9/2018 Gubler ..... H04N 5/2253  
2018/0283601 A1\* 10/2018 Wei ..... F16M 11/041

\* cited by examiner

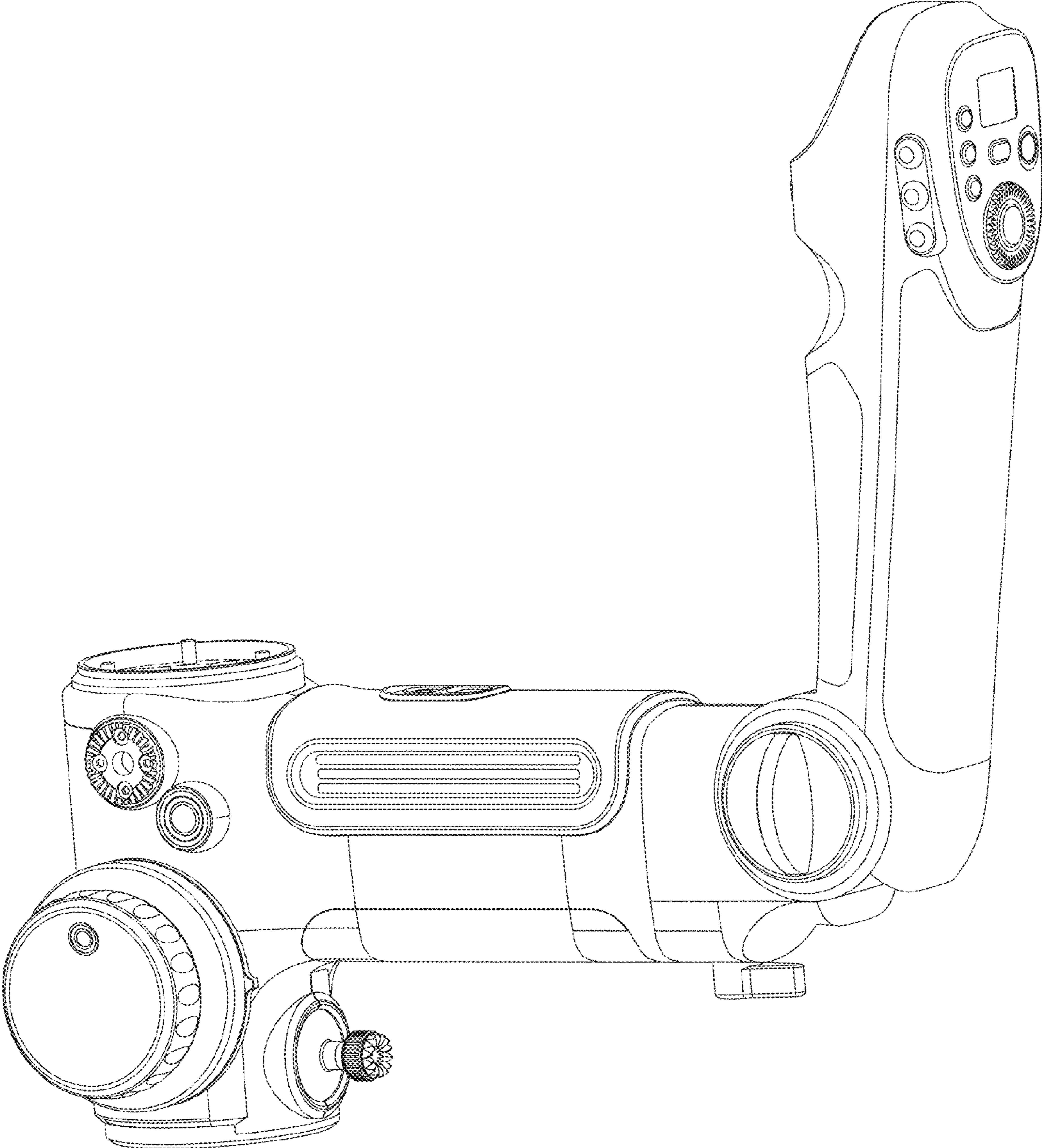


FIGURE 1

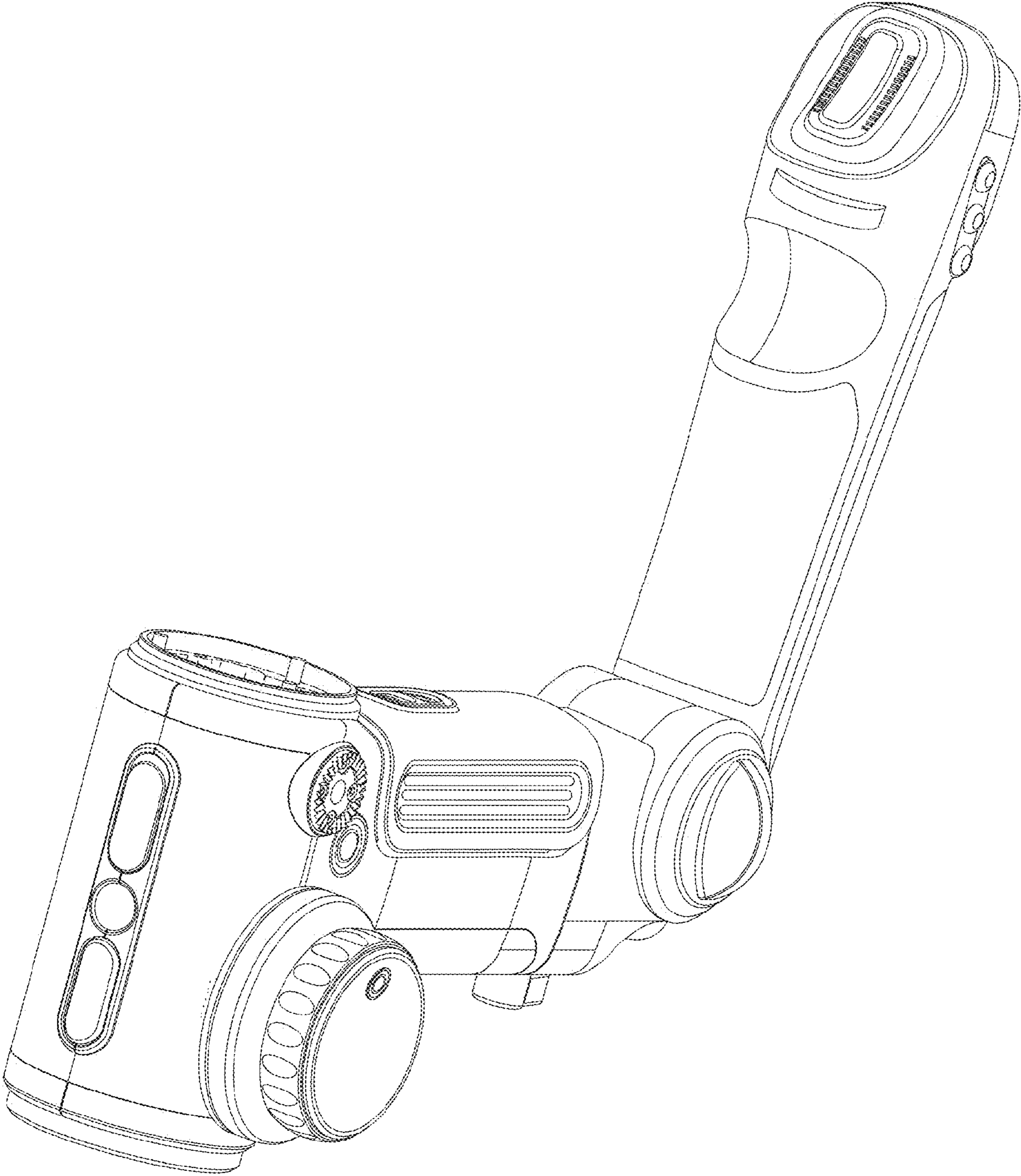


FIG.2

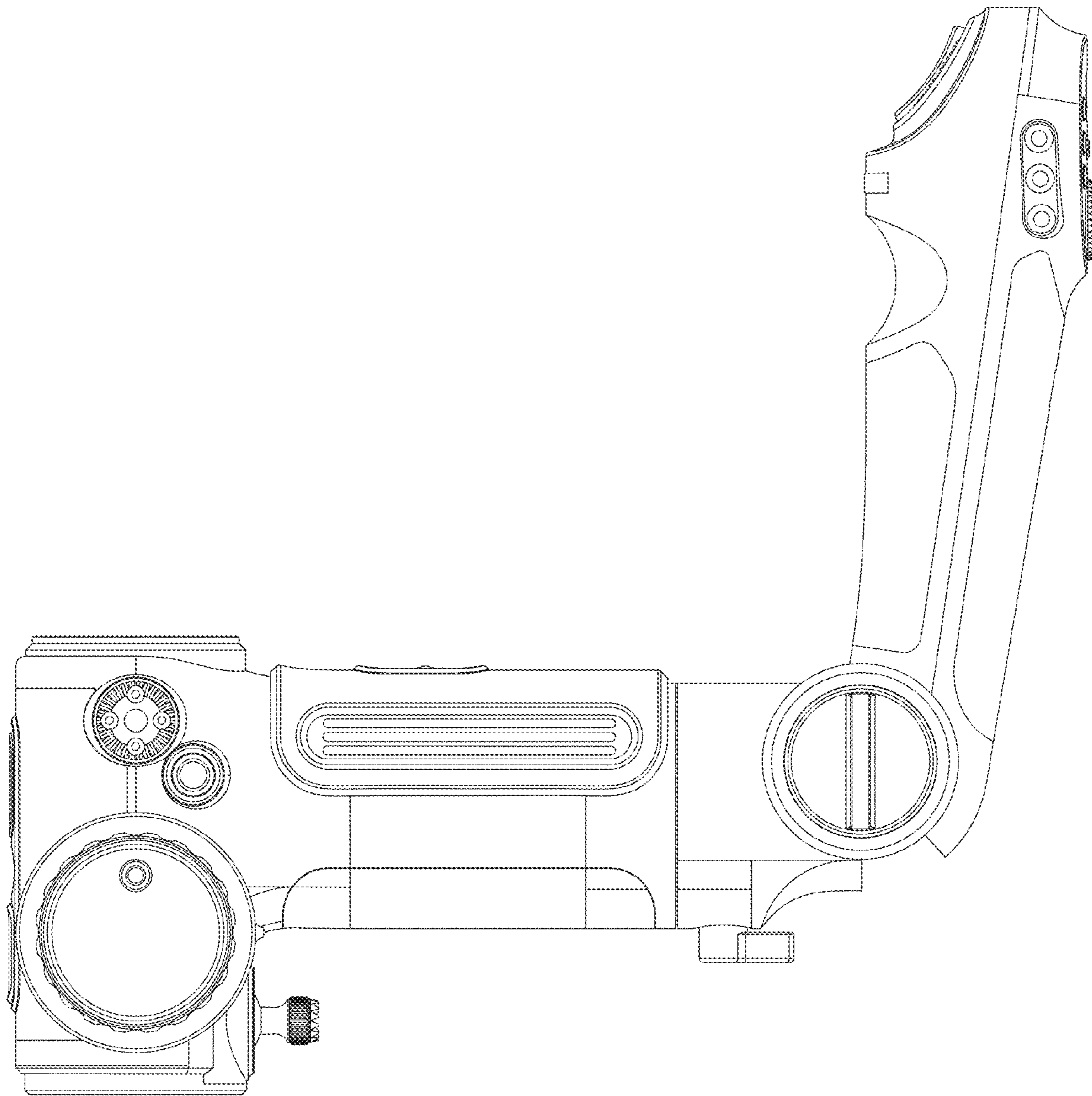


FIGURE 3

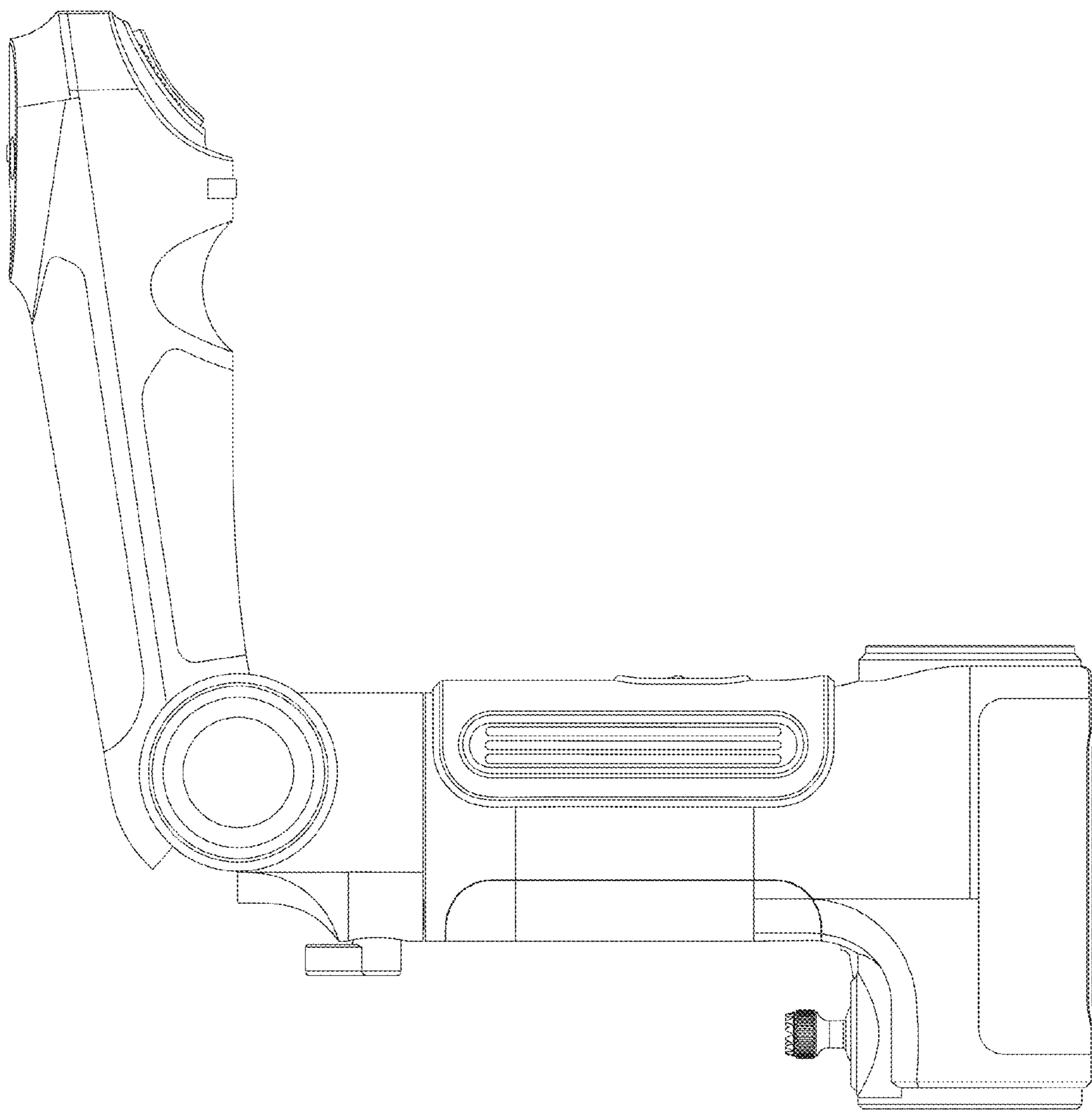


FIGURE 4

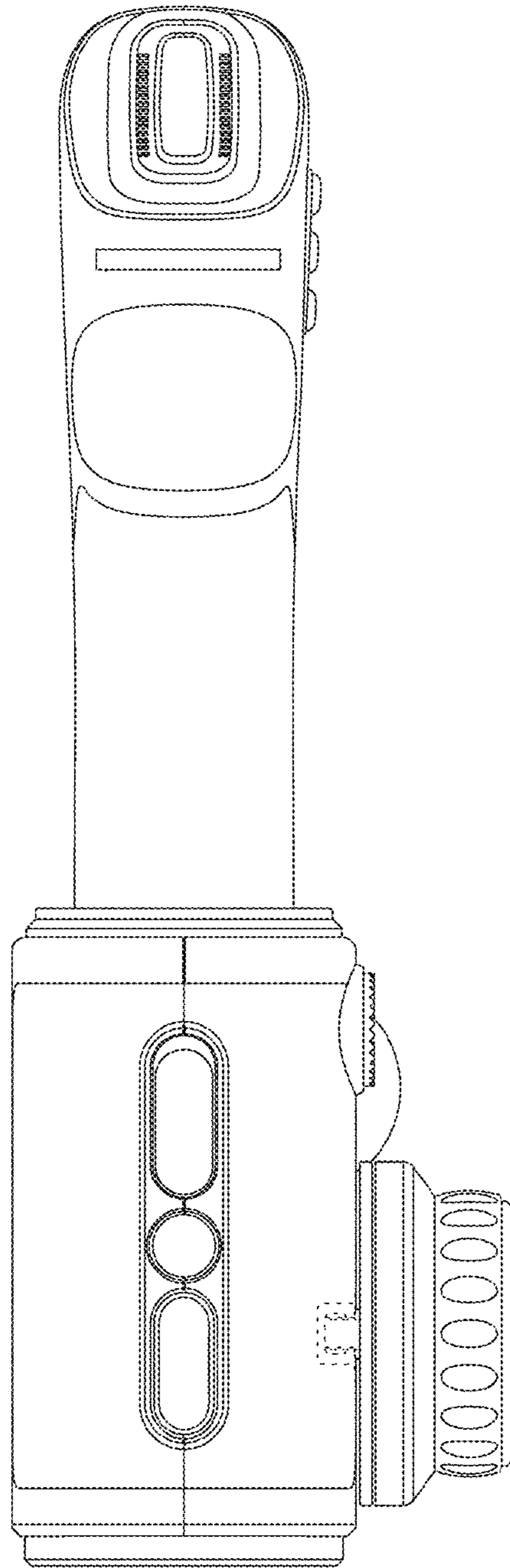


FIGURE 5

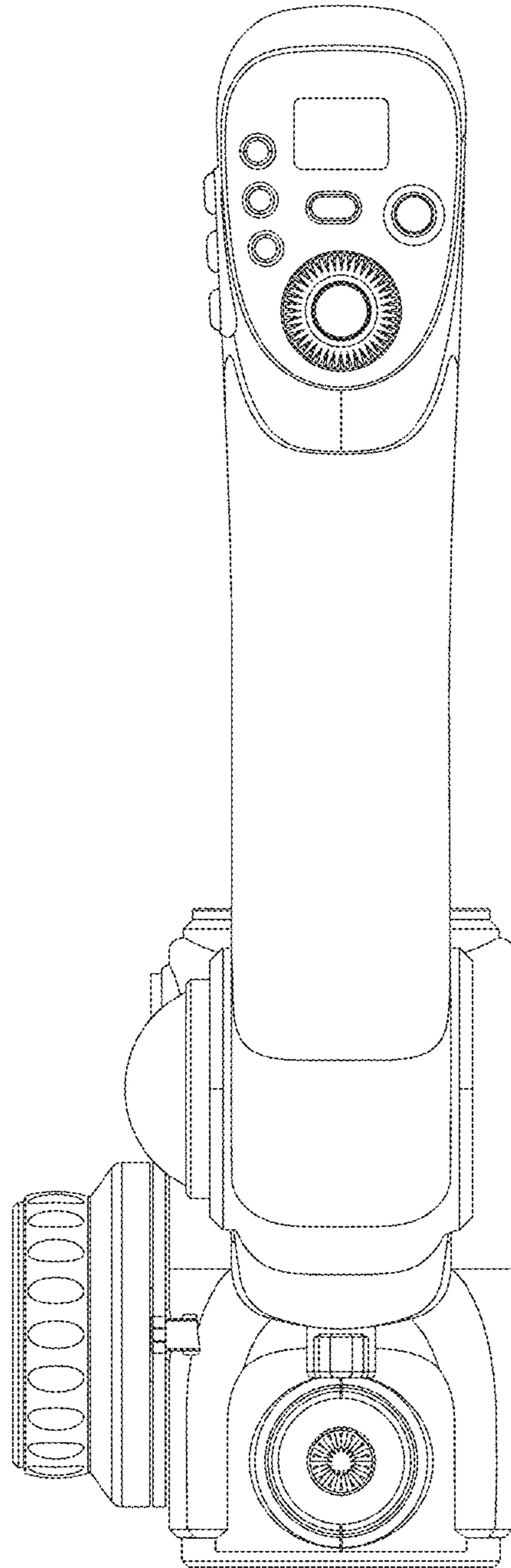


FIGURE 6



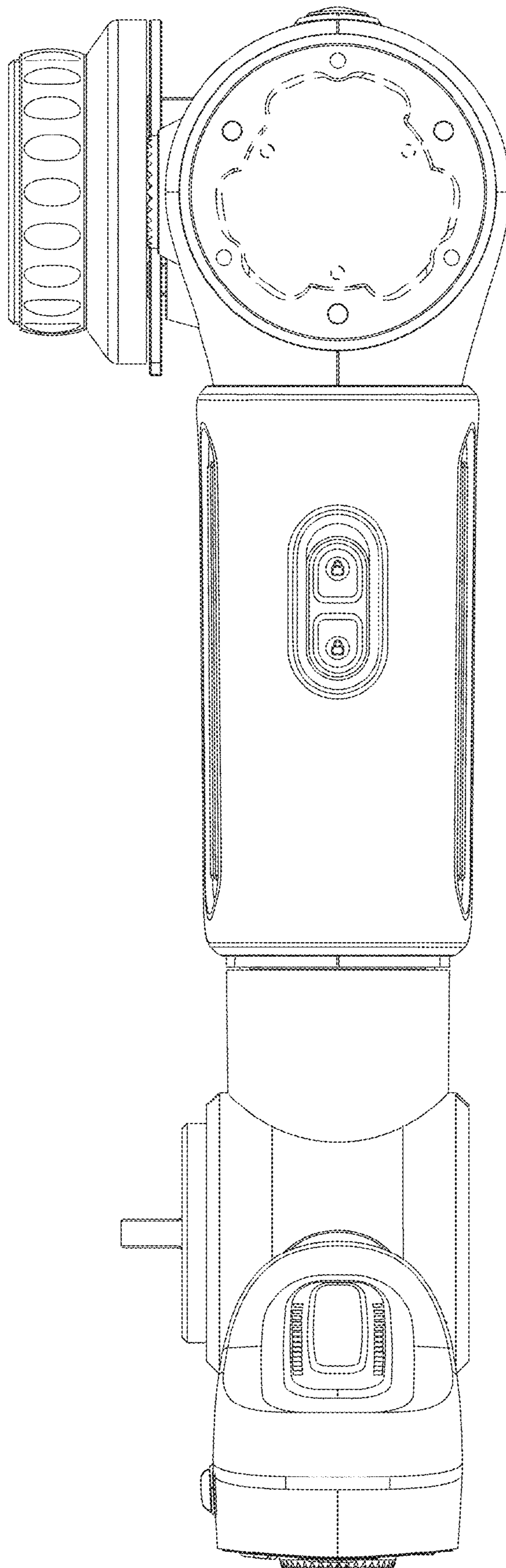


FIGURE 7

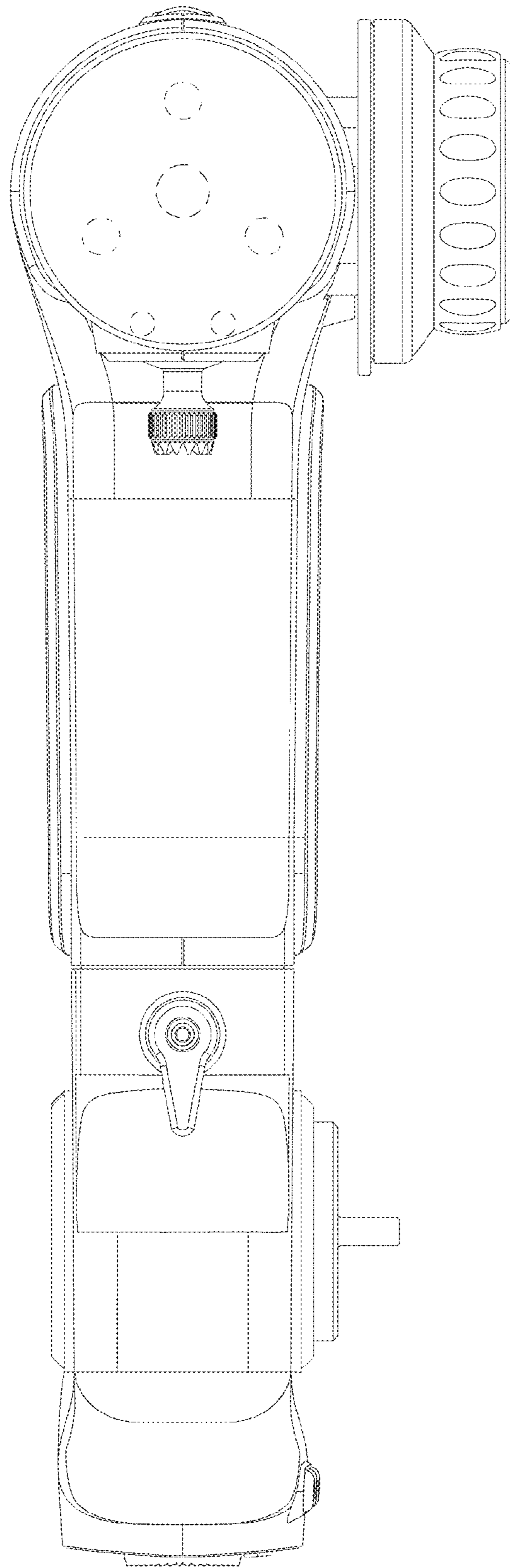


FIGURE 8

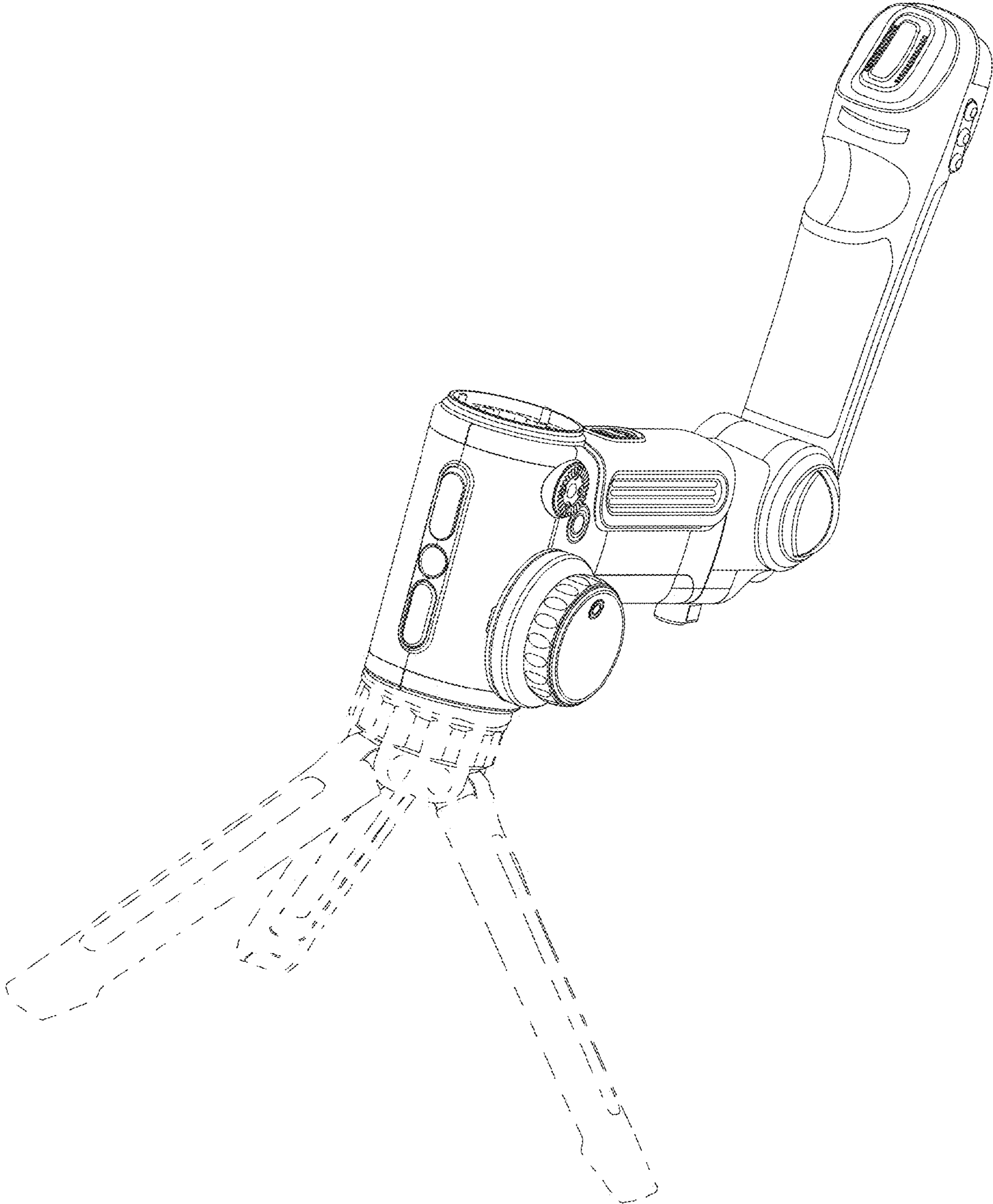


FIG. 9