



US00D934200S

(12) **United States Design Patent** (10) **Patent No.:** **US D934,200 S**  
**Rissanen et al.** (45) **Date of Patent:** **\*\* Oct. 26, 2021**

(54) **LOUDSPEAKER**

FOREIGN PATENT DOCUMENTS

- (71) Applicant: **Genelec Oy**, Iisalmi (FI)
- (72) Inventors: **Ilkka Rissanen**, Iisalmi (FI); **Tommi Paavilainen**, Iisalmi (FI); **Harri Koskinen**, Iisalmi (FI)
- (73) Assignee: **GENELEC OY**, Iisalmi (FI)
- (\*\*) Term: **15 Years**
- (21) Appl. No.: **29/757,713**
- (22) Filed: **Nov. 9, 2020**

CN	305498478	*	8/2018
JP	D1648535	*	8/2018

(Continued)

*Primary Examiner* — Paula Allen Greene

(74) *Attorney, Agent, or Firm* — Sean Mellino

**Related U.S. Application Data**

- (62) Division of application No. 29/679,437, filed on Feb. 6, 2019.

**Foreign Application Priority Data**

Aug. 6, 2018	(EM)	005561503-0001
Aug. 6, 2018	(EM)	005561503-0002
Aug. 6, 2018	(EM)	005561503-0003

- (51) **LOC (13) Cl.** ..... **14-03**

- (52) **U.S. Cl.**  
USPC ..... **D14/214**

- (58) **Field of Classification Search**  
USPC ..... D14/214, 211, 215, 224, 209.1, 204;  
181/145, 148, 151, 199; 381/349, 386;  
455/90.3  
CPC ... H04R 1/02; H04R 5/00; H04R 1/28; H05K  
7/00; A47B 81/06; G10K 11/16  
See application file for complete search history.

(56) **References Cited**

U.S. PATENT DOCUMENTS

- |               |        |              |       |                        |
|---------------|--------|--------------|-------|------------------------|
| 1,804,341 A * | 5/1931 | Hutt         | ..... | H04R 1/02<br>181/193   |
| 3,138,220 A * | 6/1964 | Glindmeyer   | ..... | H04R 1/2888<br>181/199 |
| D214,912 S    | 8/1969 | Duern et al. |       |                        |
| D231,660 S    | 5/1974 | Ishikawa     |       |                        |
- (Continued)

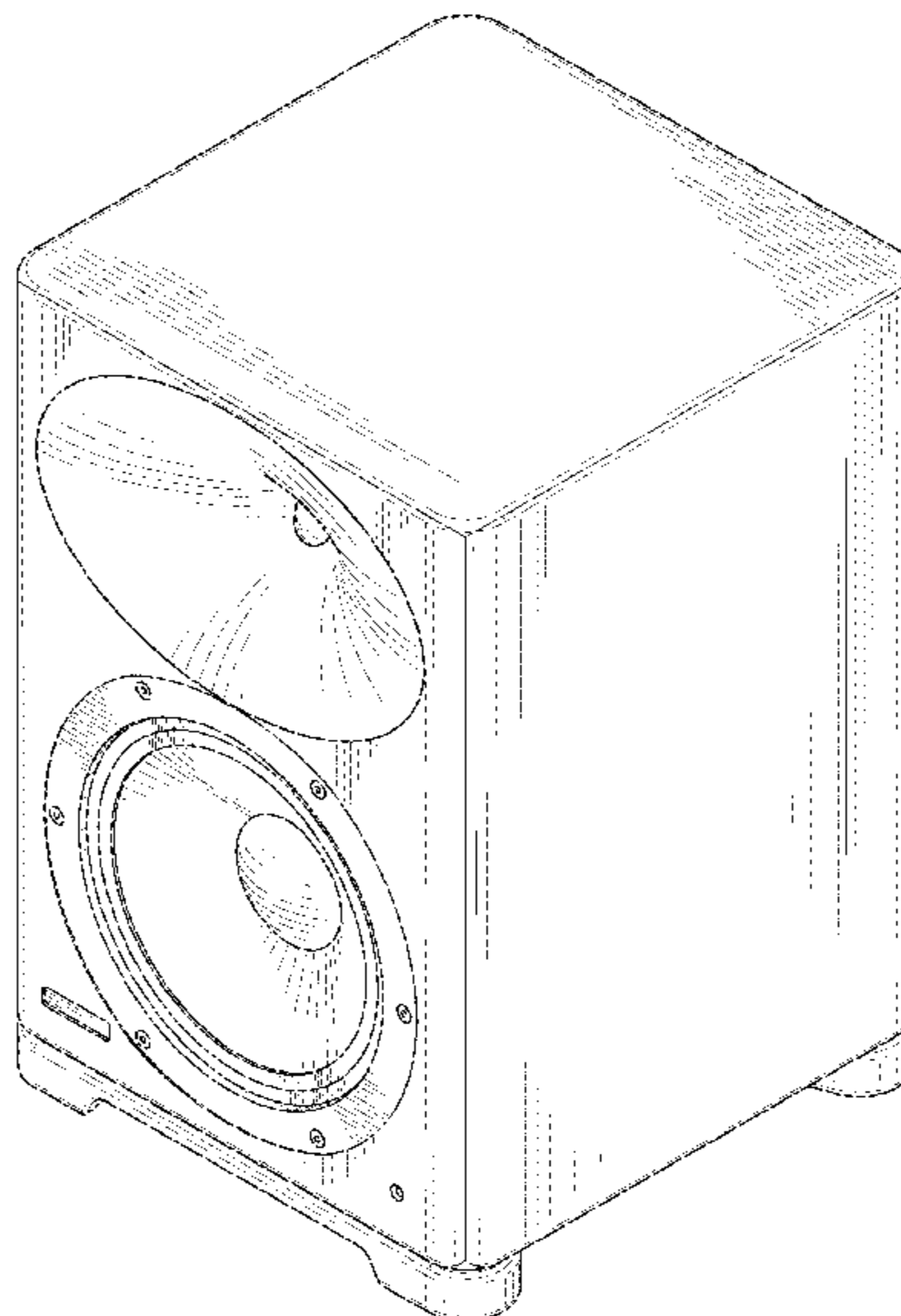
(57) **CLAIM**

The ornamental design for a loudspeaker, as shown and described.

**DESCRIPTION**

FIG. 1 is a perspective view of a loudspeaker according to the present invention;  
 FIG. 2 is a front view of the loudspeaker according to the present invention as shown in FIG. 1;  
 FIG. 3 is a bottom view of the loudspeaker according to the present invention as shown in FIG. 1;  
 FIG. 4 is a top view of the loudspeaker according to the present invention as shown in FIG. 1;  
 FIG. 5 is a side view (i.e., right side) of the loudspeaker according to the present invention as shown in FIG. 1;  
 FIG. 6 is another side view (i.e., left side) of the loudspeaker according to the present invention as shown in FIG. 1, shown from the opposite side as that shown in FIG. 5; and,  
 FIG. 7 is a rear view of the loudspeaker according to the present invention as shown in FIG. 1. The broken lines depict an environment that forms no part of the claimed design.  
 The broken lines shown in the drawings depict environment that forms no part of the claimed design.

**1 Claim, 7 Drawing Sheets**



(56)

References Cited

U.S. PATENT DOCUMENTS

3,815,707 A \* 6/1974 Burhoe ..... H04R 1/2819  
181/199  
3,858,679 A \* 1/1975 Askins ..... H04R 1/227  
181/145  
3,982,607 A \* 9/1976 Evans ..... G10K 11/24  
181/152  
4,130,174 A \* 12/1978 Ostrander ..... H04R 1/025  
181/146  
4,178,473 A \* 12/1979 Vermeren ..... H04R 1/02  
181/145  
4,214,645 A \* 7/1980 Plourde ..... H04R 1/02  
181/148  
D256,915 S \* 9/1980 Needleman ..... D14/224  
D260,639 S \* 9/1981 Long ..... D14/224  
4,301,889 A \* 11/1981 Tralonga ..... H04R 1/26  
181/145  
4,332,986 A \* 6/1982 Butler ..... H04R 1/2834  
181/144  
D271,967 S \* 12/1983 Meyer ..... D14/214  
4,451,711 A \* 5/1984 Jackson ..... H04R 1/02  
312/265.5  
4,569,414 A \* 2/1986 Fulton ..... H04R 1/2826  
181/144  
4,618,025 A \* 10/1986 Sherman ..... H04R 1/22  
181/148  
D290,953 S 7/1987 Sklaar et al.  
4,811,403 A \* 3/1989 Henricksen ..... H04R 1/02  
381/87  
5,073,937 A \* 12/1991 Almasy ..... H04R 1/2819  
381/386  
D328,898 S 8/1992 Christie  
5,322,979 A \* 6/1994 Cassity ..... H04R 1/023  
181/150  
5,416,284 A 5/1995 Steele et al.  
5,455,396 A \* 10/1995 Willard ..... H04R 7/20  
181/172  
5,533,132 A \* 7/1996 Button ..... H04R 1/028  
181/199  
D379,629 S \* 6/1997 Watson ..... D14/214  
D387,351 S 12/1997 Mackie et al.  
D398,008 S \* 9/1998 Yamakawa ..... D14/214  
D400,735 S 11/1998 House et al.  
5,933,509 A \* 8/1999 Wu ..... H04R 1/345  
381/345  
D416,906 S 11/1999 Miyazaki  
D417,872 S 12/1999 Monson  
D419,158 S 1/2000 Mackie et al.  
D439,238 S \* 3/2001 Mackie ..... D14/214  
D439,239 S 3/2001 Ito et al.  
D439,240 S \* 3/2001 Ito ..... D14/214  
6,259,798 B1 \* 7/2001 Perkins ..... H04R 1/02  
181/199  
D448,753 S 10/2001 Masui

D458,269 S 6/2002 Goto  
D461,463 S 8/2002 Oikawa et al.  
D470,474 S 2/2003 Kobayashi  
D473,212 S 4/2003 Nugent et al.  
D473,563 S 4/2003 Russell  
6,561,311 B2 \* 5/2003 Chuang ..... H04R 1/02  
181/148  
D483,026 S 12/2003 Koskinen  
D484,115 S 12/2003 Nishii et al.  
D488,803 S 4/2004 Chin et al.  
D518,818 S 4/2006 Motoishi  
D521,494 S \* 5/2006 Koskinen ..... D14/214  
D542,275 S 5/2007 Hibino  
D542,777 S \* 5/2007 Sato ..... D14/172  
D544,466 S \* 6/2007 Pincek ..... D14/214  
7,270,215 B2 \* 9/2007 Stiles ..... H04R 1/2888  
181/151  
D568,888 S 5/2008 Eyman et al.  
D634,737 S 3/2011 Lippert et al.  
7,918,426 B2 4/2011 Short et al.  
D657,777 S \* 4/2012 Jursch ..... D14/215  
D674,803 S 1/2013 Westrup  
D696,671 S 12/2013 Carnevali  
8,600,097 B2 12/2013 McGhee et al.  
D708,165 S \* 7/2014 Woo ..... H04R 1/02  
D14/209.1  
D713,389 S \* 9/2014 Behar ..... D14/224  
D722,303 S 2/2015 Oliveras  
D722,304 S 2/2015 Oliveras  
D740,791 S \* 10/2015 Fujioka ..... D14/224  
D748,604 S \* 2/2016 Hartmann ..... D14/214  
D754,097 S 4/2016 Pineau  
9,463,373 B2 10/2016 Plunket et al.  
D777,704 S 1/2017 Helwig et al.  
D794,605 S 8/2017 Koskinen et al.  
D820,236 S 6/2018 Koskinen et al.  
D850,420 S 6/2019 Koskinen et al.  
D865,710 S 11/2019 Armstrong  
D870,082 S \* 12/2019 Laine ..... D14/224  
D907,012 S \* 1/2021 Bell ..... D14/224  
10,958,999 B2 \* 3/2021 Rissanen ..... H04R 1/22  
D921,616 S \* 6/2021 Rissanen ..... D14/224  
2002/0036113 A1 \* 3/2002 Chu ..... H04R 1/2888  
181/199  
2005/0258321 A1 11/2005 Worrall et al.  
2011/0192269 A1 8/2011 Voorhees  
2015/0369692 A1 \* 12/2015 Pan ..... H04R 29/001  
73/40  
2016/0205464 A1 \* 7/2016 Miyata ..... H04R 1/227  
381/98

FOREIGN PATENT DOCUMENTS

JP D1650218 \* 8/2018  
KR 301090364.0000 \* 4/2020

\* cited by examiner

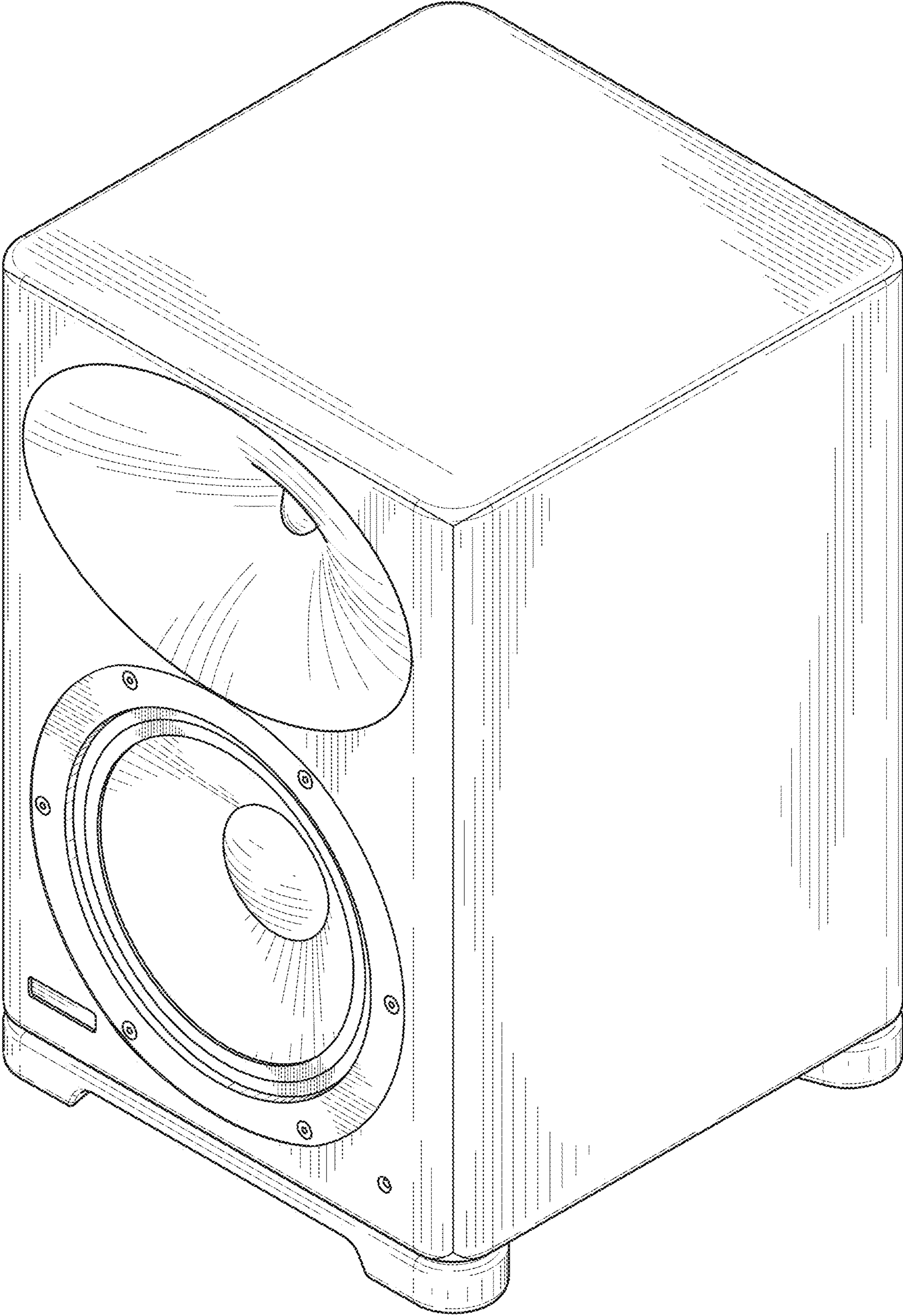


FIG. 1

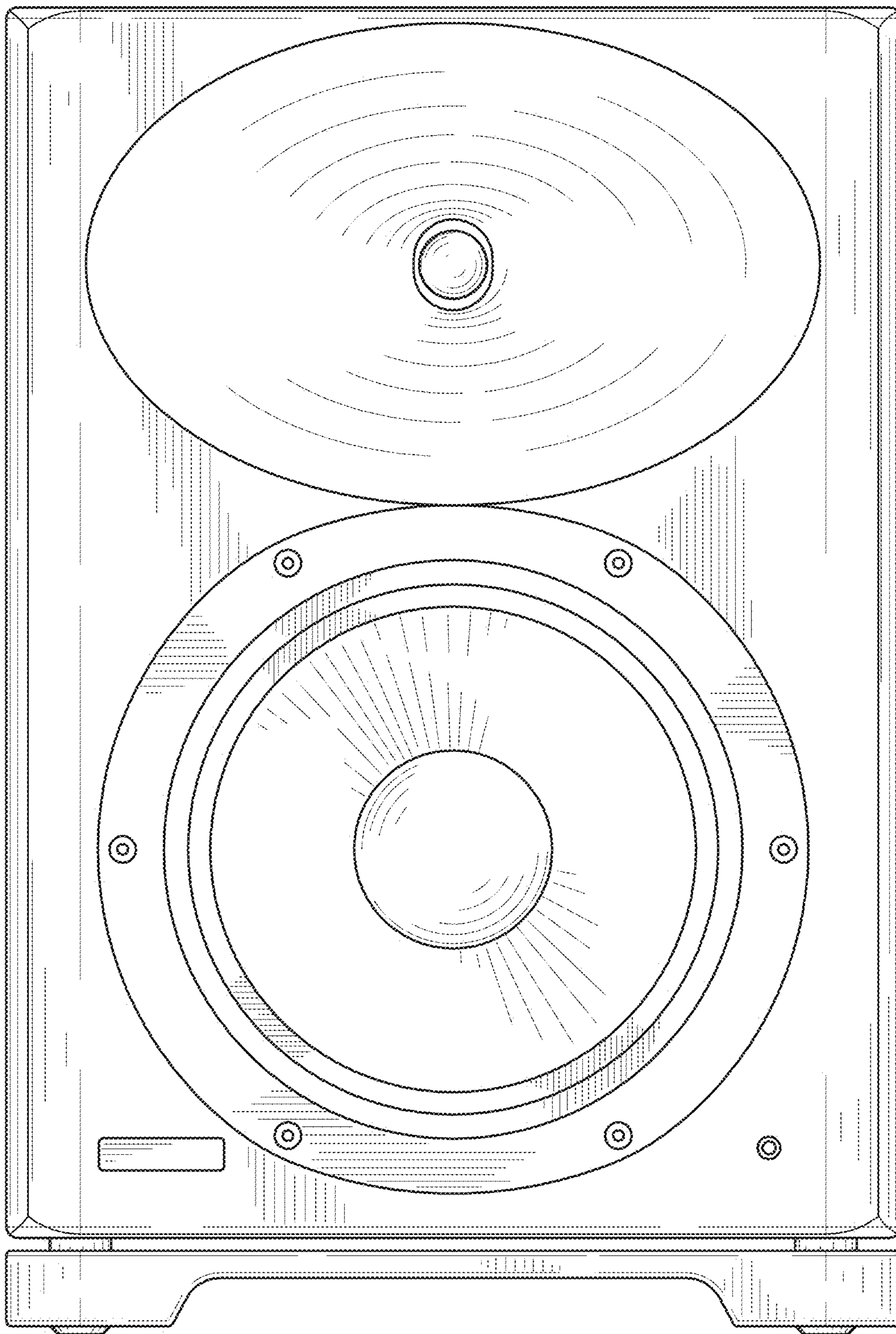
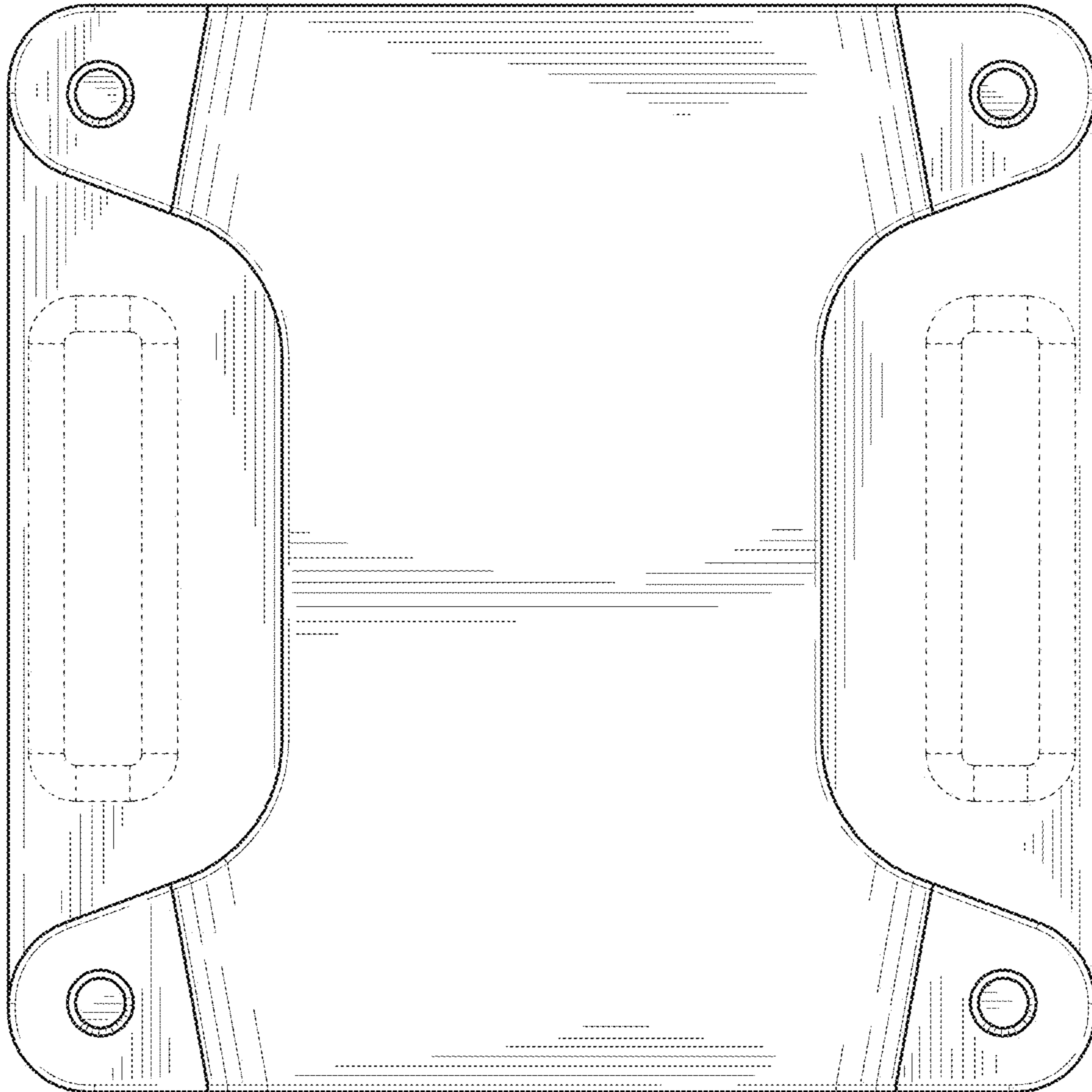


FIG. 2



**FIG. 3**

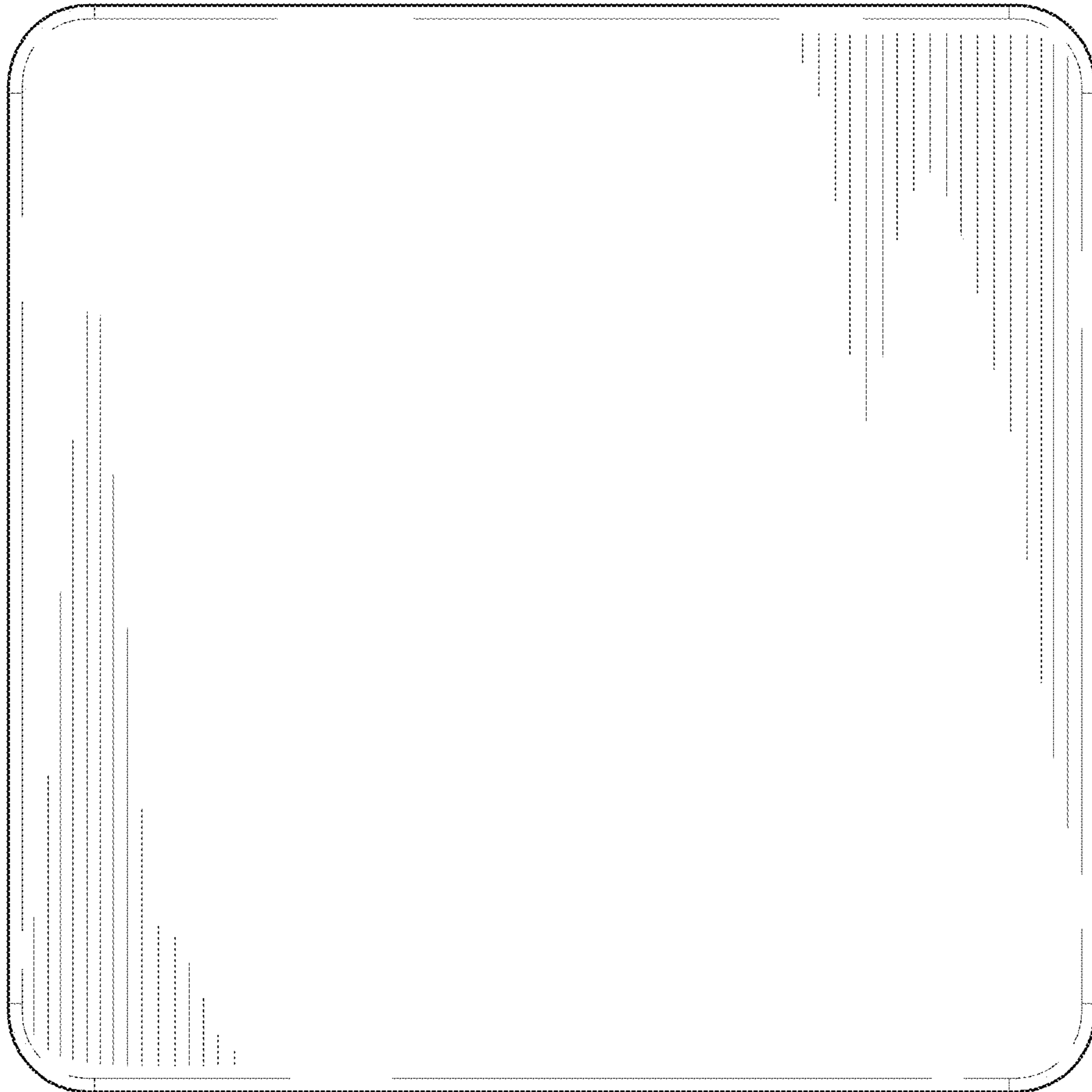


FIG. 4

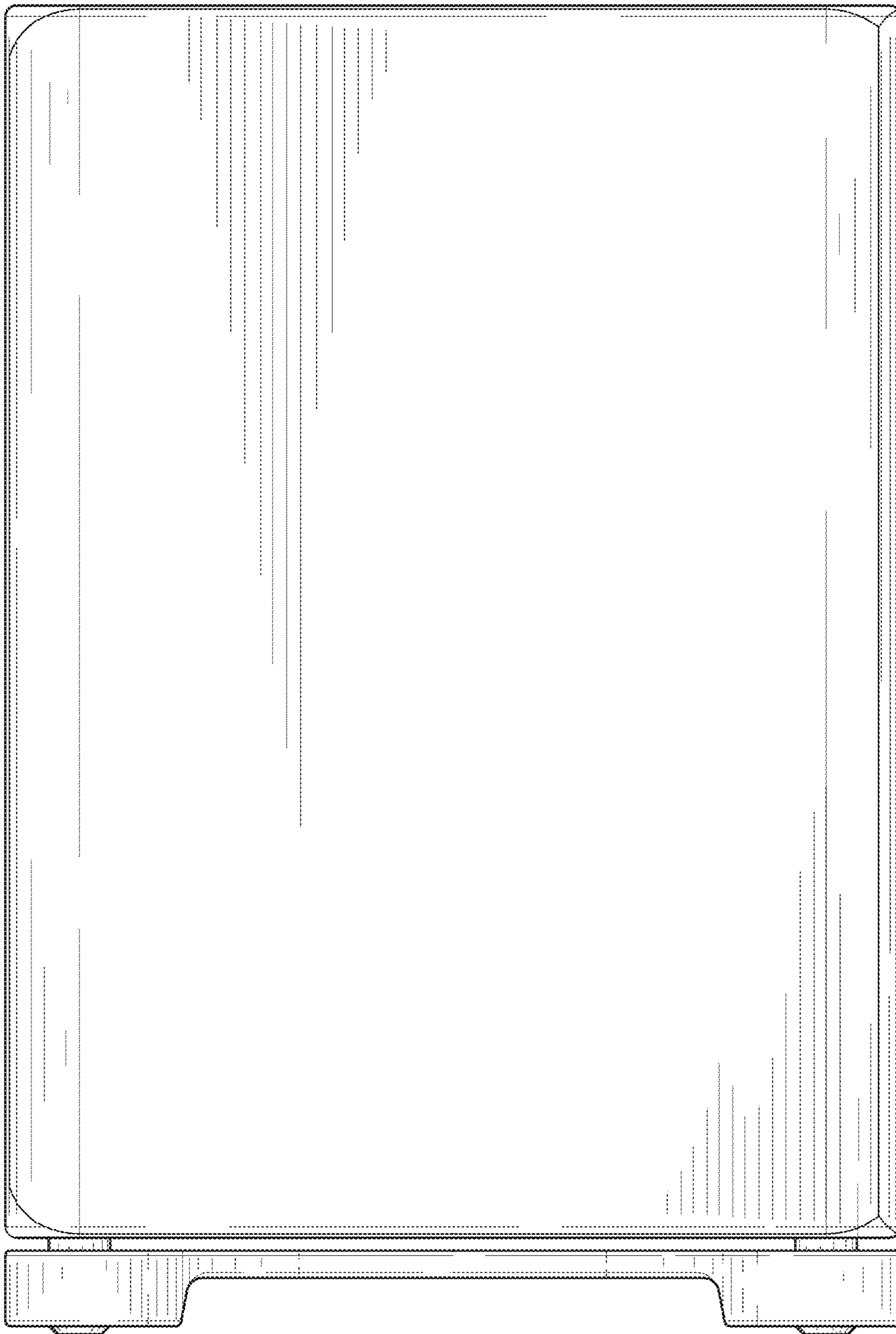


FIG. 5

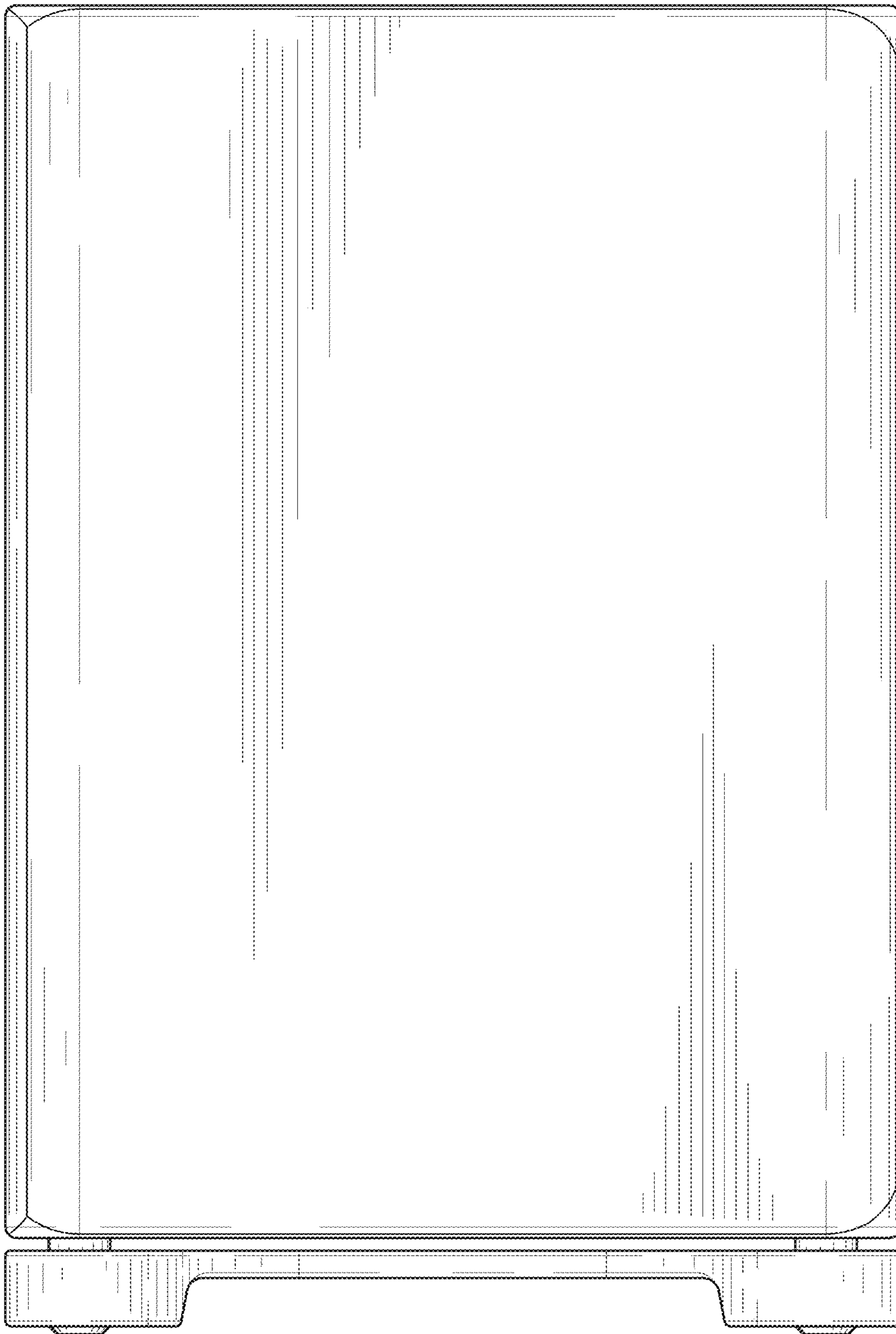


FIG. 6



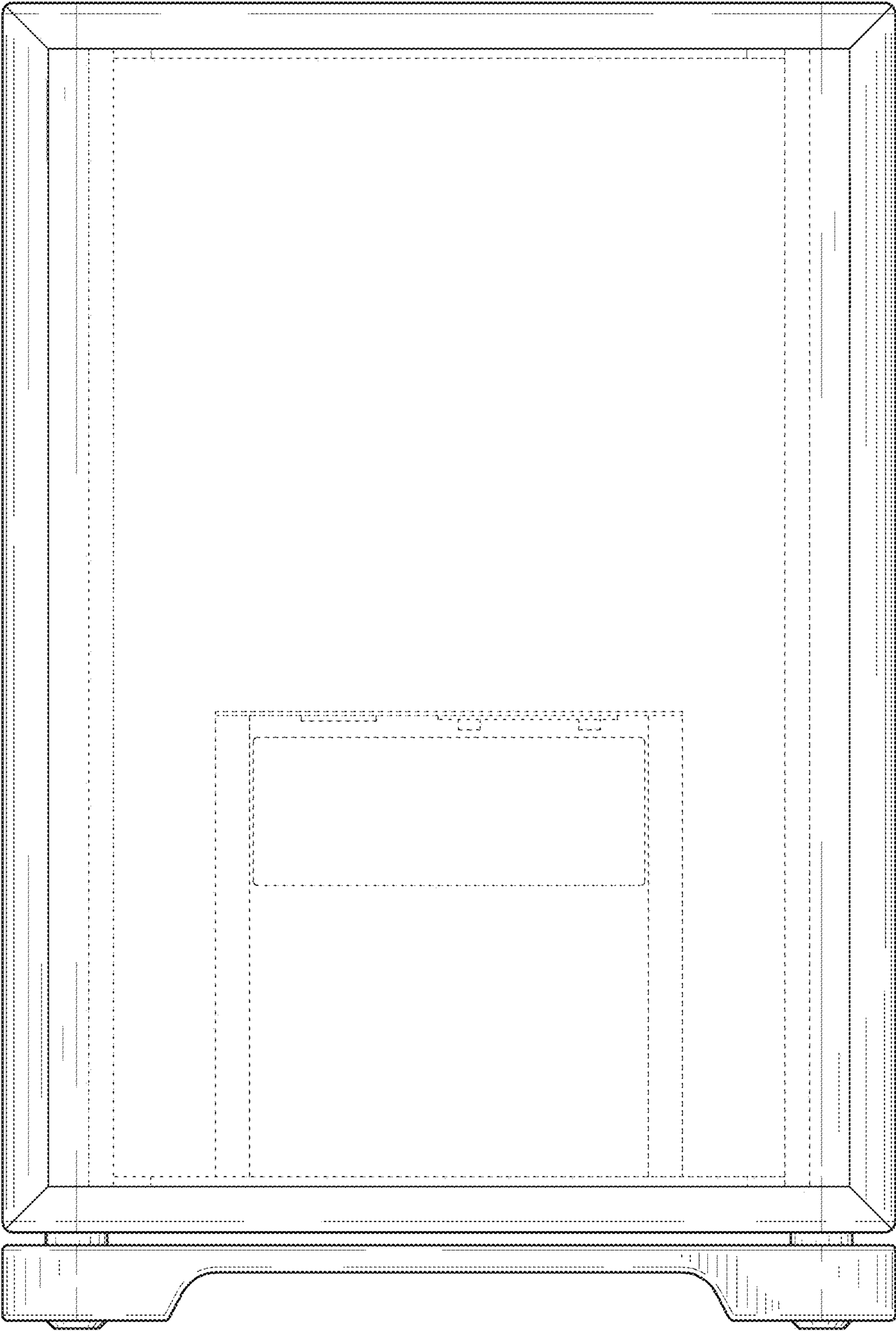


FIG. 7