



US00D934196S

(12) **United States Design Patent** (10) **Patent No.:** **US D934,196 S**
Kim et al. (45) **Date of Patent:** **** Oct. 26, 2021**

(54) **SPEAKER**
(71) Applicant: **LG ELECTRONICS INC.**, Seoul (KR)
(72) Inventors: **Kyungmin Kim**, Seoul (KR); **Seongahn Jeon**, Seoul (KR)
(73) Assignee: **LG ELECTRONICS INC.**, Seoul (KR)
(**) Term: **15 Years**
(21) Appl. No.: **35/507,174**
(22) Filed: **Feb. 1, 2019**

D598,897 S * 8/2009 Arneson D14/214
D618,214 S * 6/2010 Wang D14/209.1
D657,777 S * 4/2012 Jursch D14/215
D671,526 S * 11/2012 Lee D14/215
D672,750 S * 12/2012 Lee D14/215
D697,053 S * 1/2014 Brickstad D14/215
D711,855 S * 8/2014 Shin D14/221
D711,856 S * 8/2014 Kim D14/221
D723,518 S * 3/2015 Moon D14/215
D729,770 S * 5/2015 Yoo D14/214
D744,981 S * 12/2015 Choi D14/209.1
D747,698 S * 1/2016 Choi D14/188
D755,157 S * 5/2016 Redmon D14/204
D759,631 S * 6/2016 Espinosa D14/215
D775,107 S * 12/2016 Green D14/221
D777,704 S * 1/2017 Helwig D14/215

(Continued)

(80) **Hague Agreement Data**
Int. Filing Date: **Feb. 1, 2019**
Int. Reg. No.: **DM/200861**
Int. Reg. Date: **Feb. 1, 2019**
Int. Reg. Pub. Date: **Aug. 2, 2019**

(30) **Foreign Application Priority Data**
Aug. 7, 2018 (KR) 30-2018-0036613
(51) **LOC (13) Cl.** **14-01**
(52) **U.S. Cl.**
USPC **D14/204**; D14/209.1
(58) **Field of Classification Search**
USPC ... D14/172, 188, 194, 204, 209.1, 211, 214,
D14/215, 221, 203.1, 212
CPC H04R 2420/07; H04R 5/02; H04R 1/403;
H04R 2201/028
See application file for complete search history.

(56) **References Cited**
U.S. PATENT DOCUMENTS
D450,683 S * 11/2001 Vosse D14/215
D469,754 S * 2/2003 Lewis D14/215
D542,777 S * 5/2007 Sato D14/172
D548,726 S * 8/2007 Ng D14/214

OTHER PUBLICATIONS

100 Watt Bluetooth Speaker! LG XBOOM RK8, publication date Aug. 25, 2018, [online][site visited May 20, 2020] URL: <https://www.youtube.com/watch?v=Ts7qtjWqYCA> (Year: 2018).*

Primary Examiner — L. A. Grabenstetter
(74) *Attorney, Agent, or Firm* — Birch, Stewart, Kolasch & Birch LLP

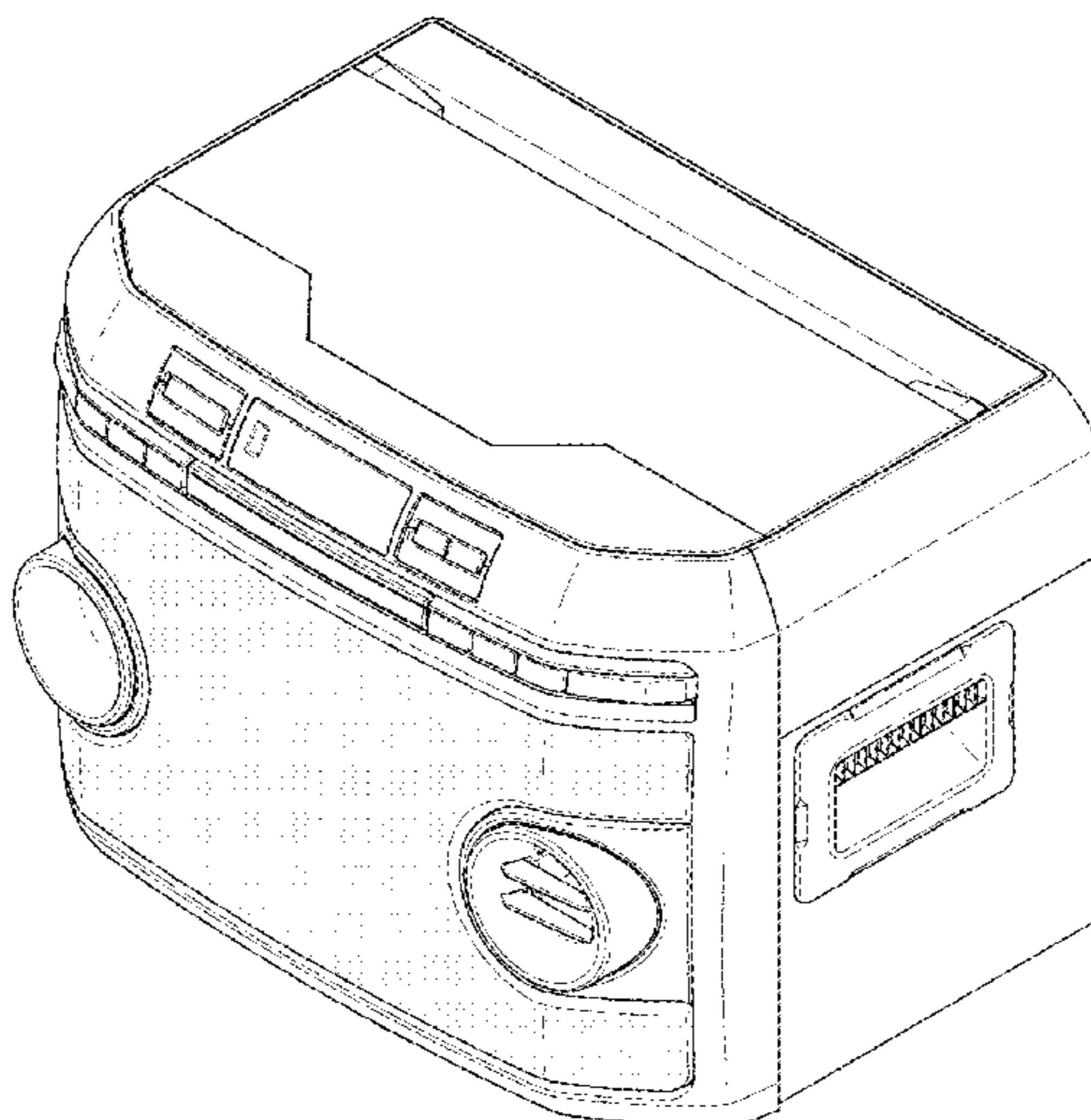
(57) **CLAIM**
The ornamental design for a speaker, as shown and described.

DESCRIPTION

- 1. Speaker
- 1.1 : Perspective
- 1.2 : Front
- 1.3 : Back
- 1.4 : Left
- 1.5 : Right
- 1.6 : Top
- 1.7 : Bottom

The broken lines indicate portions of the article that form no part of the claimed design.

1 Claim, 7 Drawing Sheets



(56)

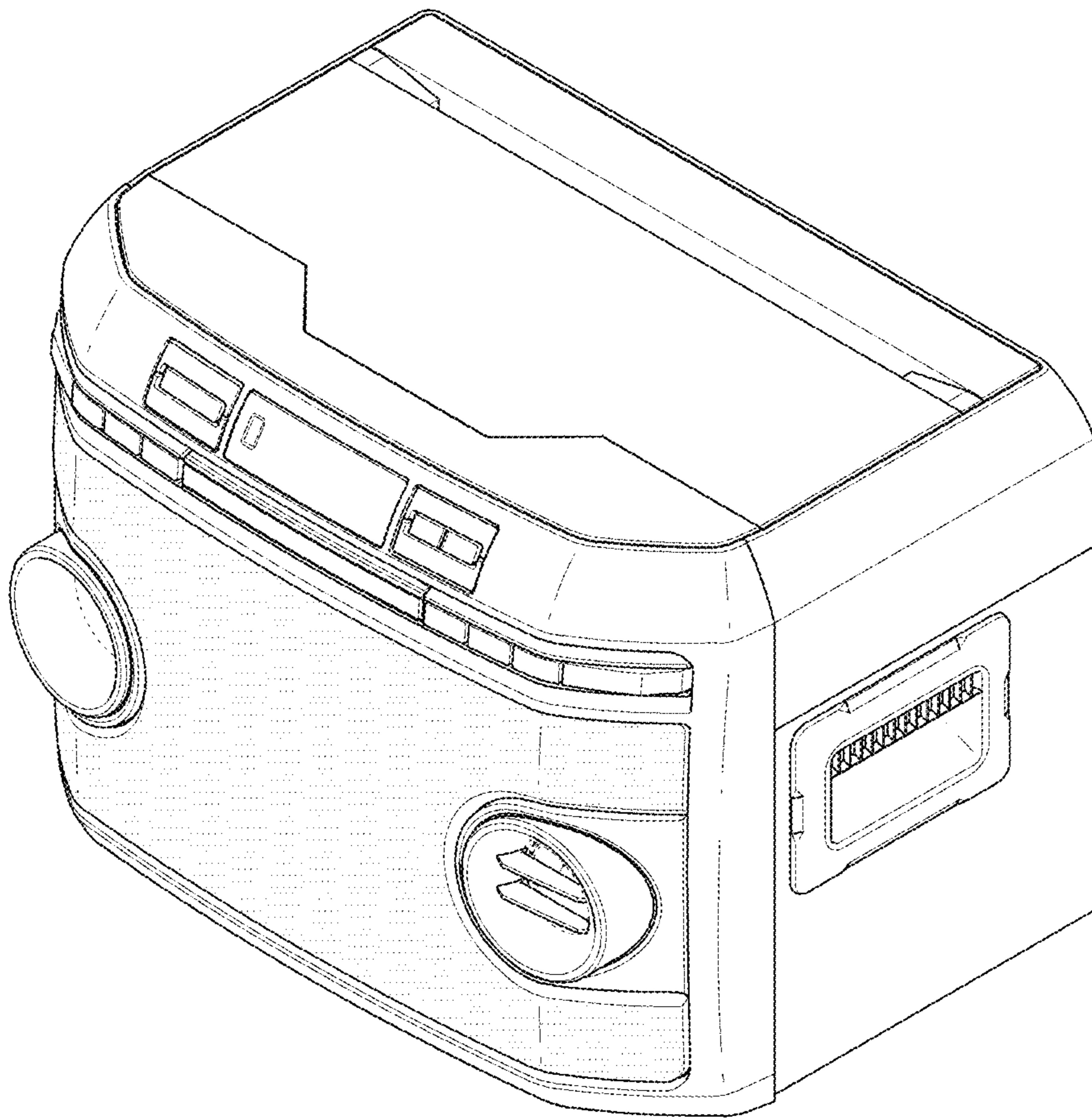
References Cited

U.S. PATENT DOCUMENTS

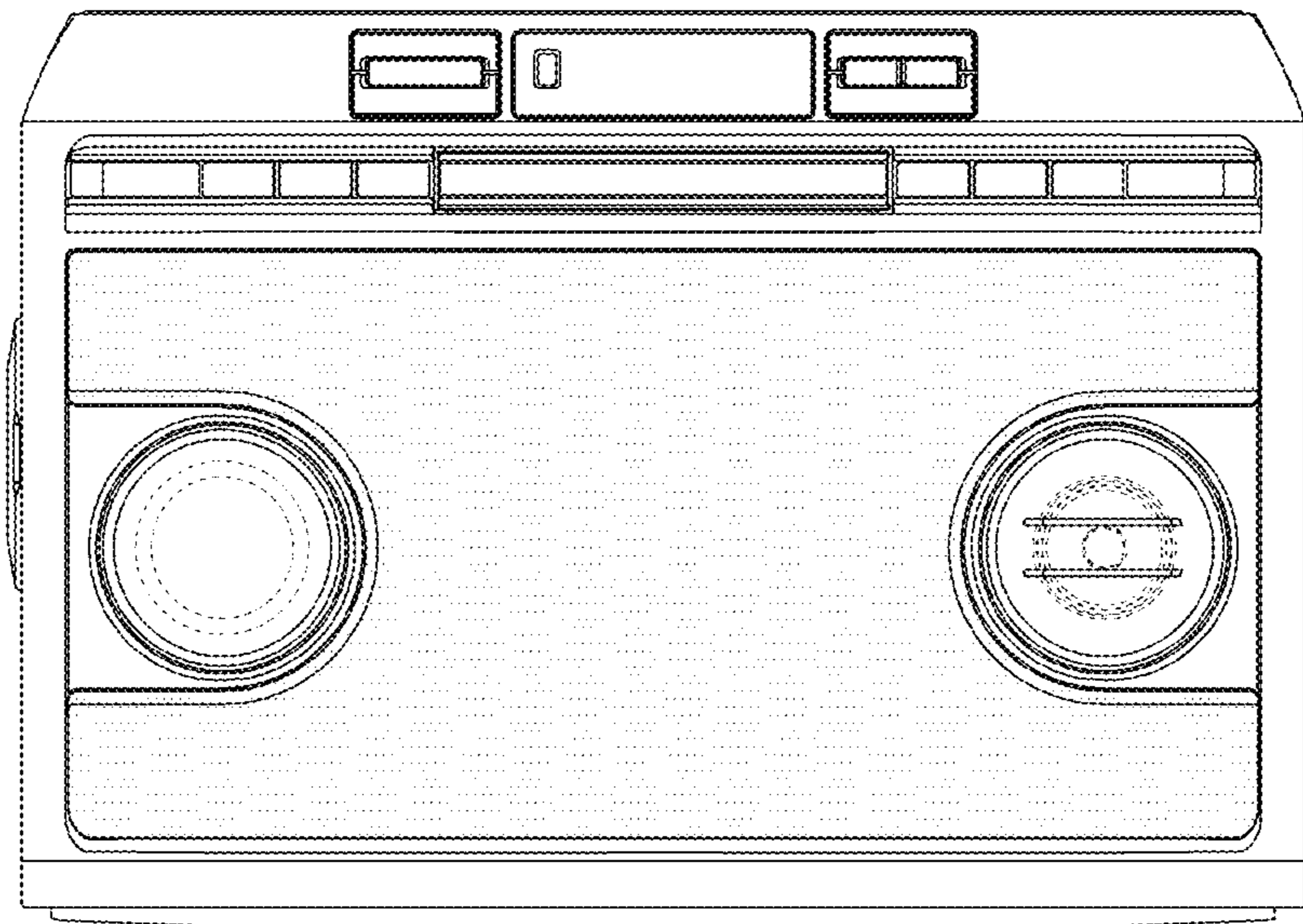
D786,218 S * 5/2017 Tan D14/215
D826,903 S * 8/2018 Yang D14/210
D859,351 S * 9/2019 Park D14/172

* cited by examiner

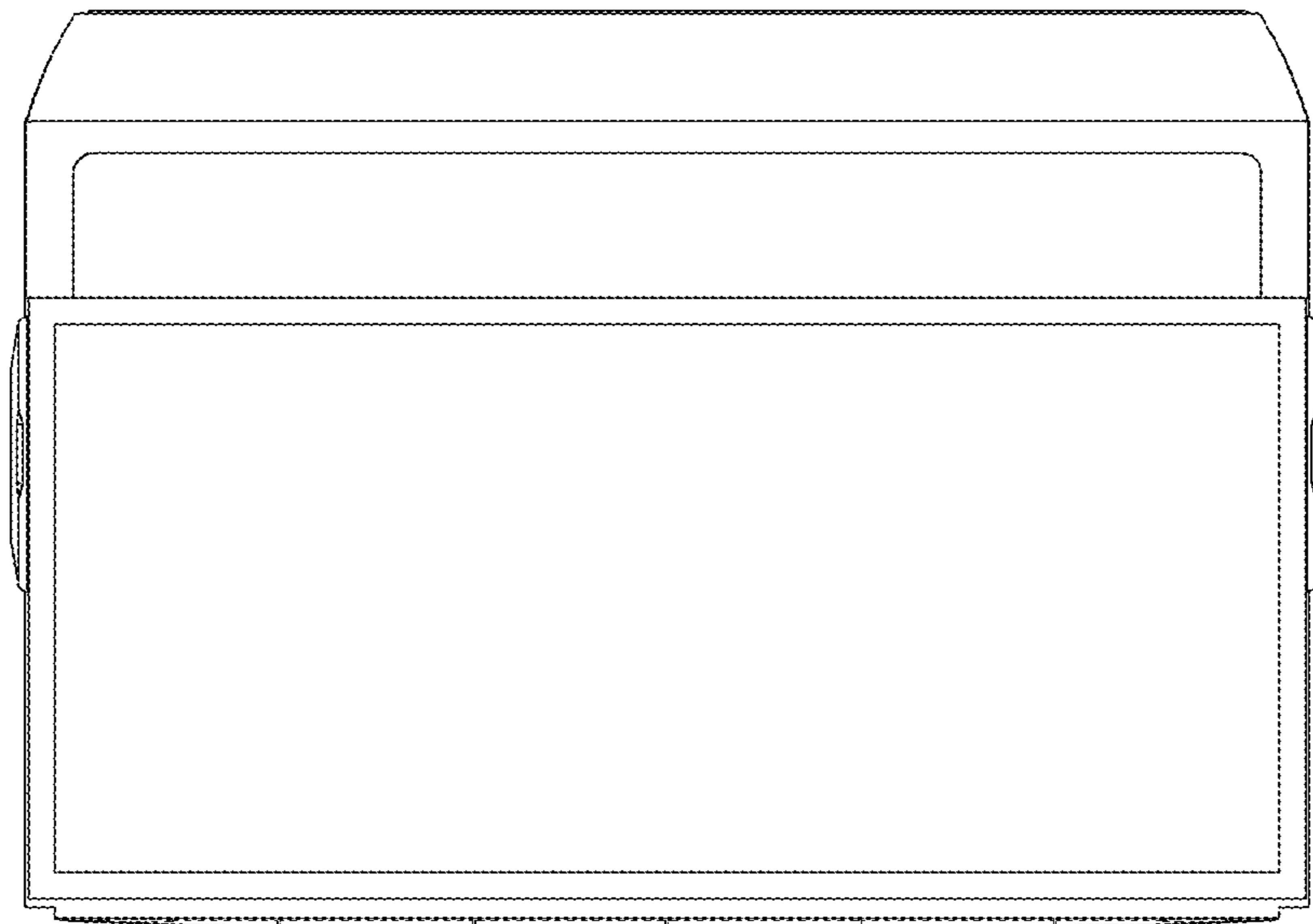
1.1



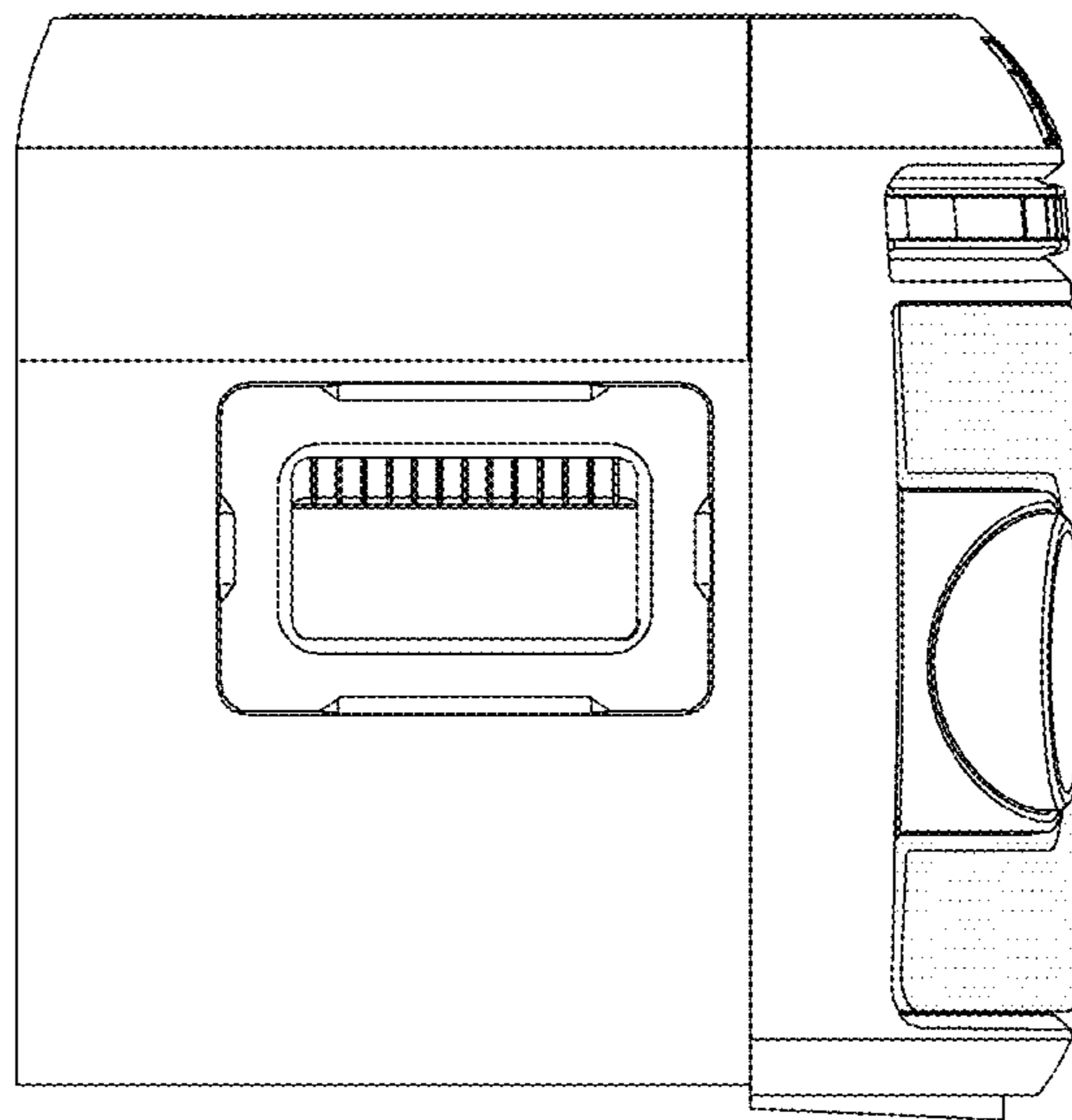
1.2



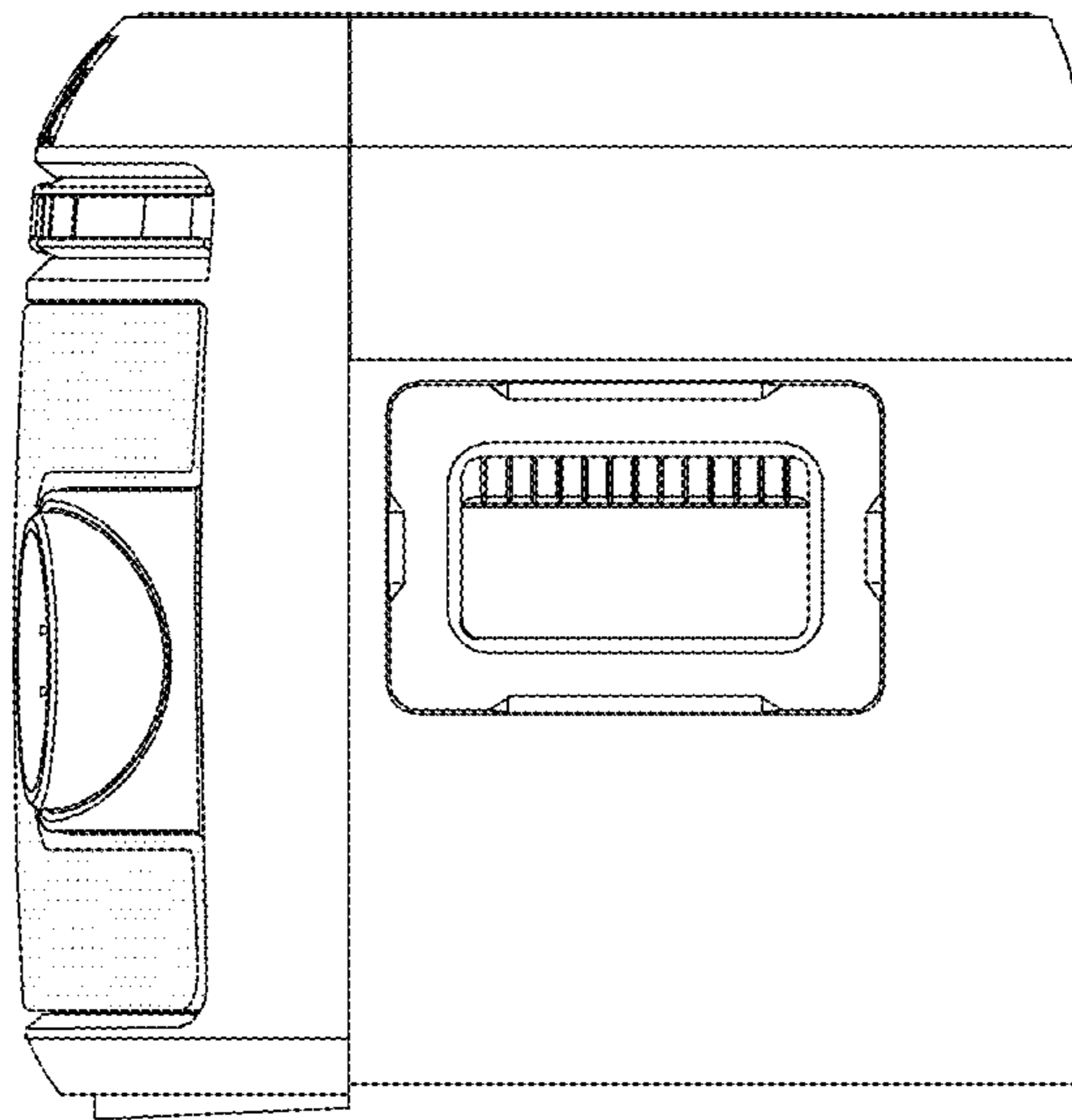
1.3



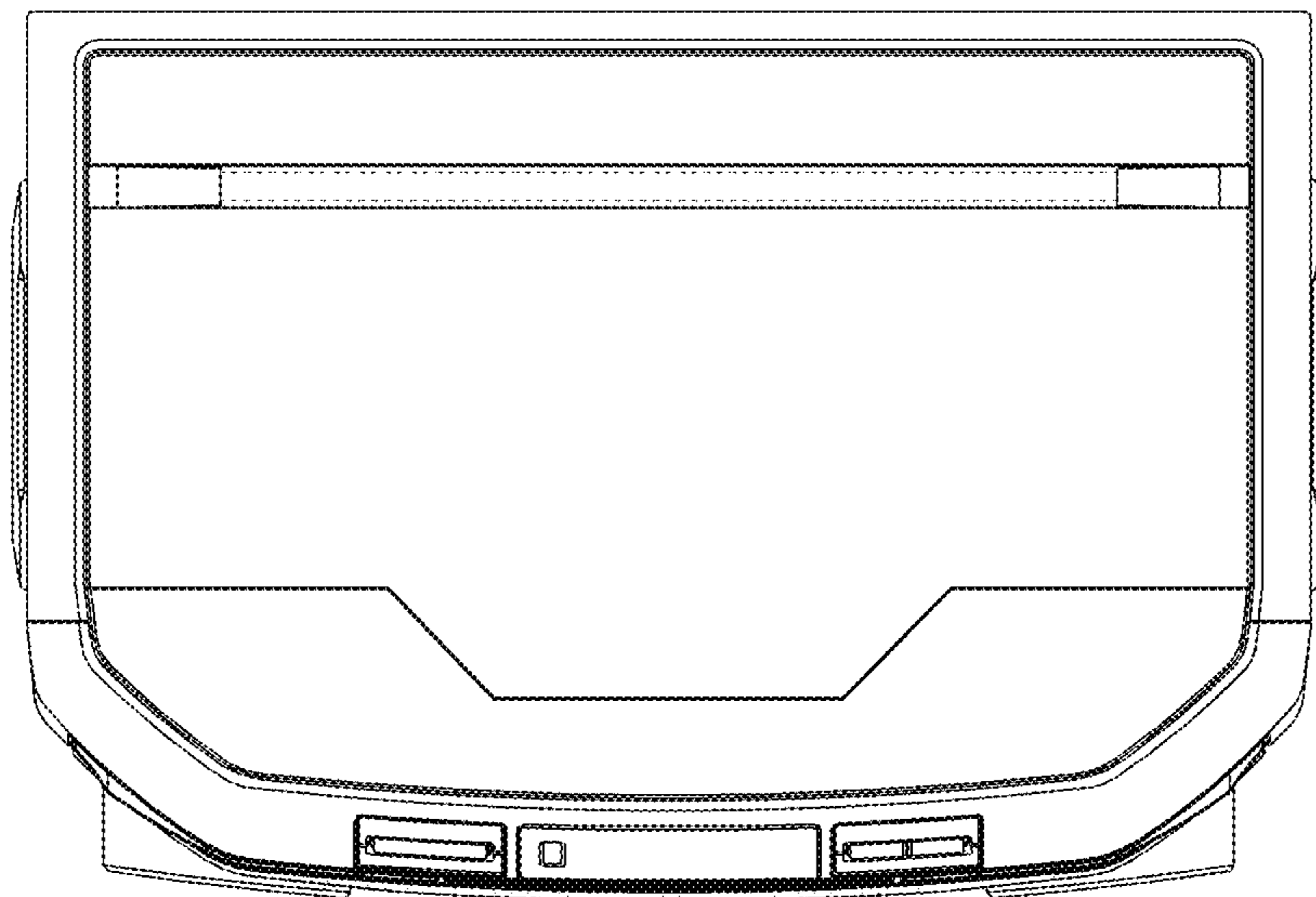
1.4



1.5



1.6



1.7

