



US00D934195S

(12) **United States Design Patent** (10) **Patent No.:** **US D934,195 S**
Simonelli et al. (45) **Date of Patent:** **** Oct. 26, 2021**

(54) **SPEAKER**
(71) Applicant: **LEXON**, Boulogne Billancourt (FR)
(72) Inventors: **Manuela Simonelli**, Paris (FR);
Andrea Quaglio, Paris (FR)
(73) Assignee: **LEXON**, Boulogne Billancourt (FR)
(**) Term: **15 Years**
(21) Appl. No.: **29/710,310**
(22) Filed: **Oct. 22, 2019**
(51) **LOC (13) Cl.** **14-01**
(52) **U.S. Cl.**
USPC **D14/204**
(58) **Field of Classification Search**
USPC D14/204–216, 155–159, 160–173, 187,
D14/188, 203.1–203.8, 217–222,
D14/225–229, 496
CPC H04R 1/02; H04R 1/021; H04R 1/023;
H04R 5/00; H04R 9/06; H04R 2420/07
See application file for complete search history.

JP D2019-15603 * 2/2020
KR 3020170056604 * 7/2018
KR 3020190052661 * 9/2020
WO WOD203558-001 * 11/2019
WO WOD204286-001 * 2/2020

OTHER PUBLICATIONS

Lexon MINO X . . . Portable Bluetooth, Aug. 29, 2019 [online],
[retrieved Oct. 30, 2020], Retrieved from Internet, URL: <https://
www.amazon.com/Lexon-MINO-Floatable-Resistant-Bluetooth/dp/
B07X2M45SJ> (Year: 2019).*
MINO X, date not available, [retrieved Oct. 30, 2020], Retrieved
from Internet, URL: <https://lexon-design.com/us/product/mino-
x/> (Year: 2020).*
Lexon Mino X Waterproof Speaker, review date Aug. 4, 2019
[online], [retrieved Oct. 30, 2020], Retrieved from Internet, URL:
<https://store.moma.org/tech/music-tech/lexon-mino-x-waterproof-
speaker/200945-200945.html?flow_enabled=false&gclid=
EAAlQobChMlj8z8zZXd7AI%E2%80%A6> (Year: 2019).*

* cited by examiner

Primary Examiner — Barbara Fox
Assistant Examiner — Aram Kwon
(74) *Attorney, Agent, or Firm* — Burriss Law, PLLC

(56) **References Cited**

U.S. PATENT DOCUMENTS

D518,026 S * 3/2006 Dayan D14/215
D632,672 S * 2/2011 Choi D14/216
D756,957 S * 5/2016 Nysten D14/204
D772,391 S * 11/2016 Zimmerli D23/366
D797,087 S * 9/2017 Burton D14/242
D828,332 S * 9/2018 Hu D14/216
D857,648 S * 8/2019 Okuley D14/204
D866,516 S * 11/2019 Demin D14/216
D866,553 S * 11/2019 Miura D14/388
D867,334 S * 11/2019 She D14/216
D868,031 S * 11/2019 Ryu D14/216
D873,788 S * 1/2020 Demin D14/204
2018/0091896 A1 * 3/2018 Stanley G06F 3/0202

FOREIGN PATENT DOCUMENTS

CN 201930383756.2 * 12/2019
EM 004748218-0006 * 3/2018

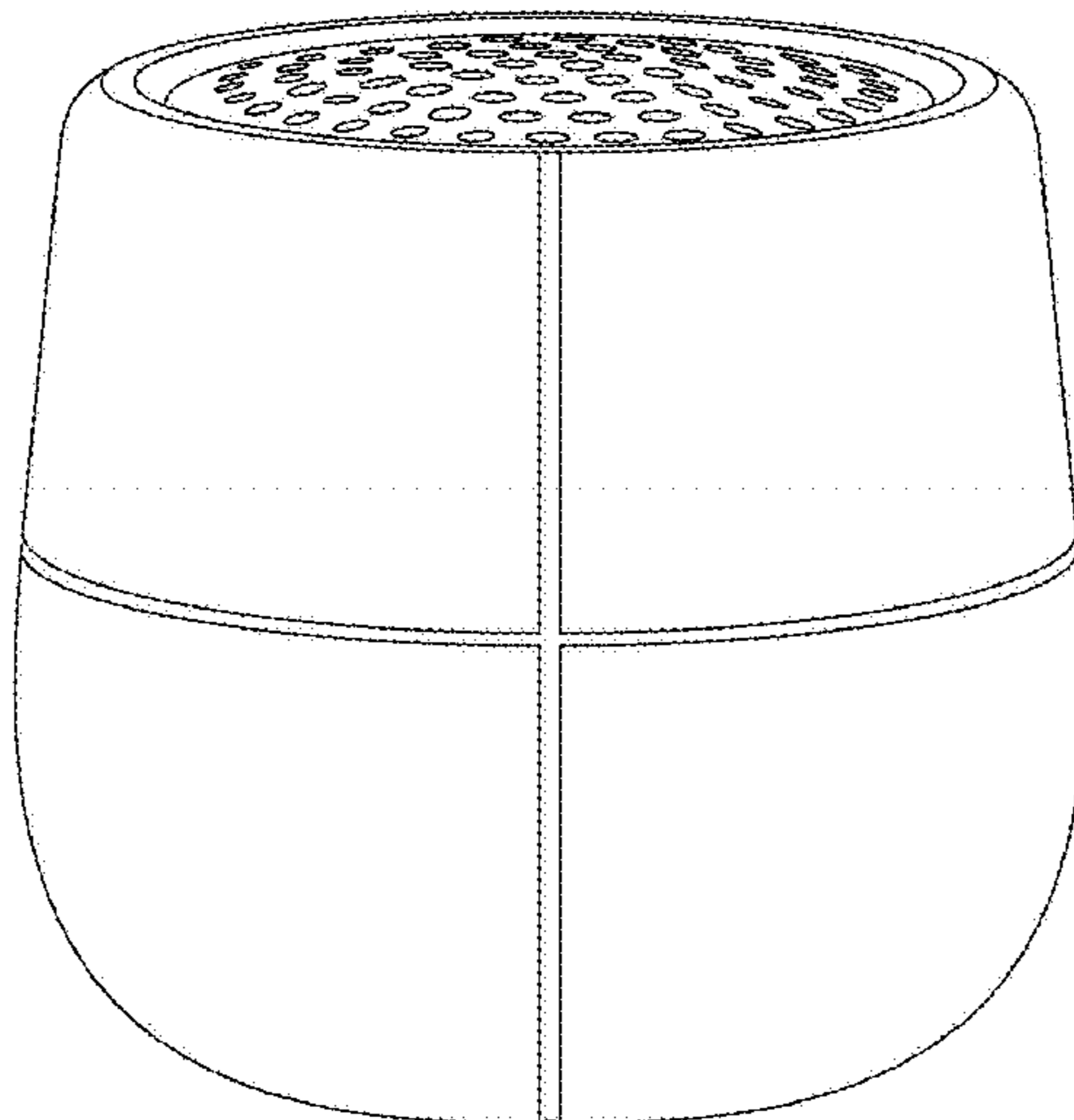
(57) **CLAIM**

The ornamental design for a speaker, as shown and described.

DESCRIPTION

FIG. 1 is a front view of a speaker;
FIG. 2 is a rear view thereof;
FIG. 3 is a top view thereof;
FIG. 4 is a bottom view thereof;
FIG. 5 is a left side view thereof;
FIG. 6 is a right side view thereof; and,
FIG. 7 is a front perspective view thereof.

1 Claim, 7 Drawing Sheets



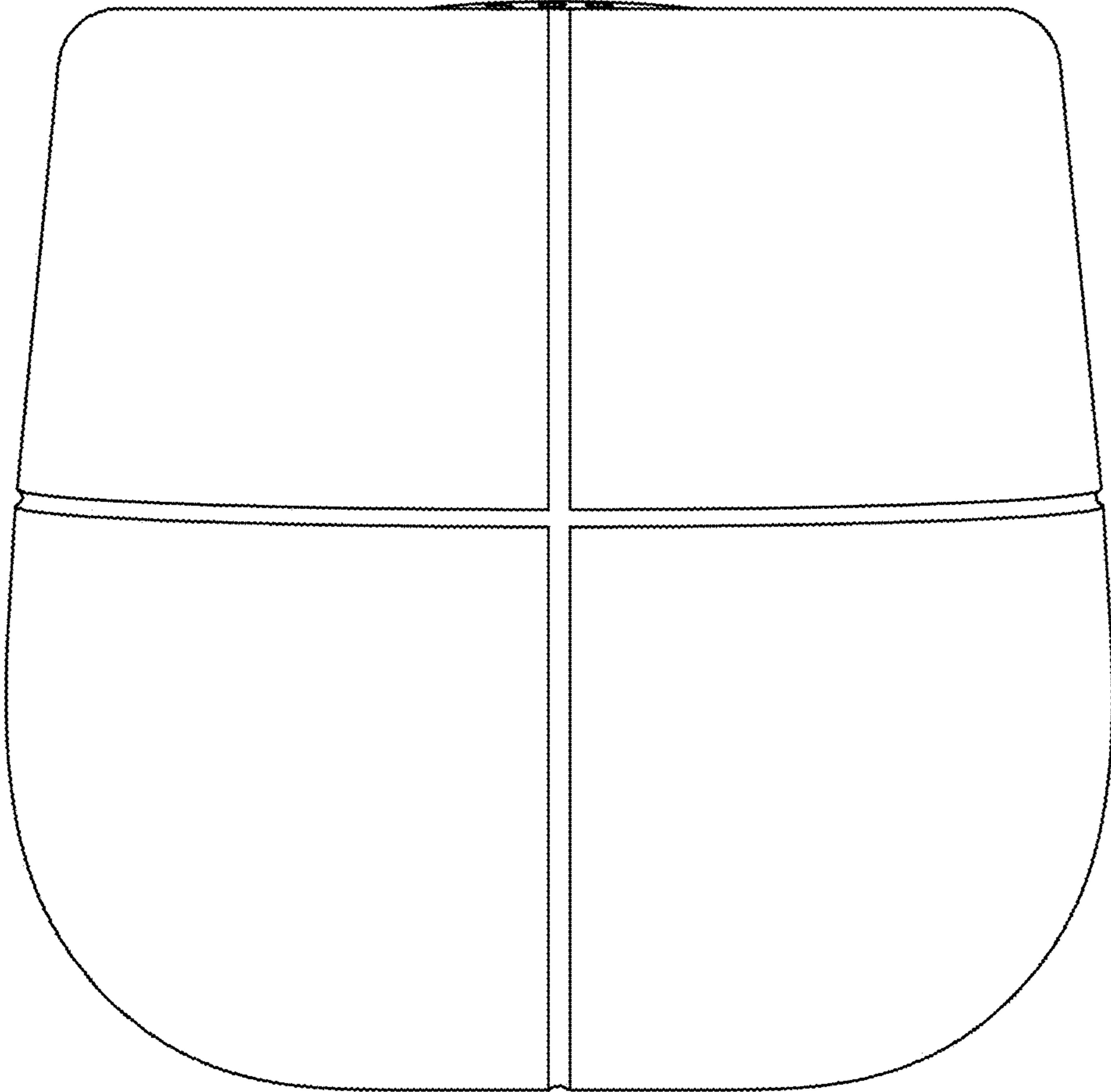


FIG. 1

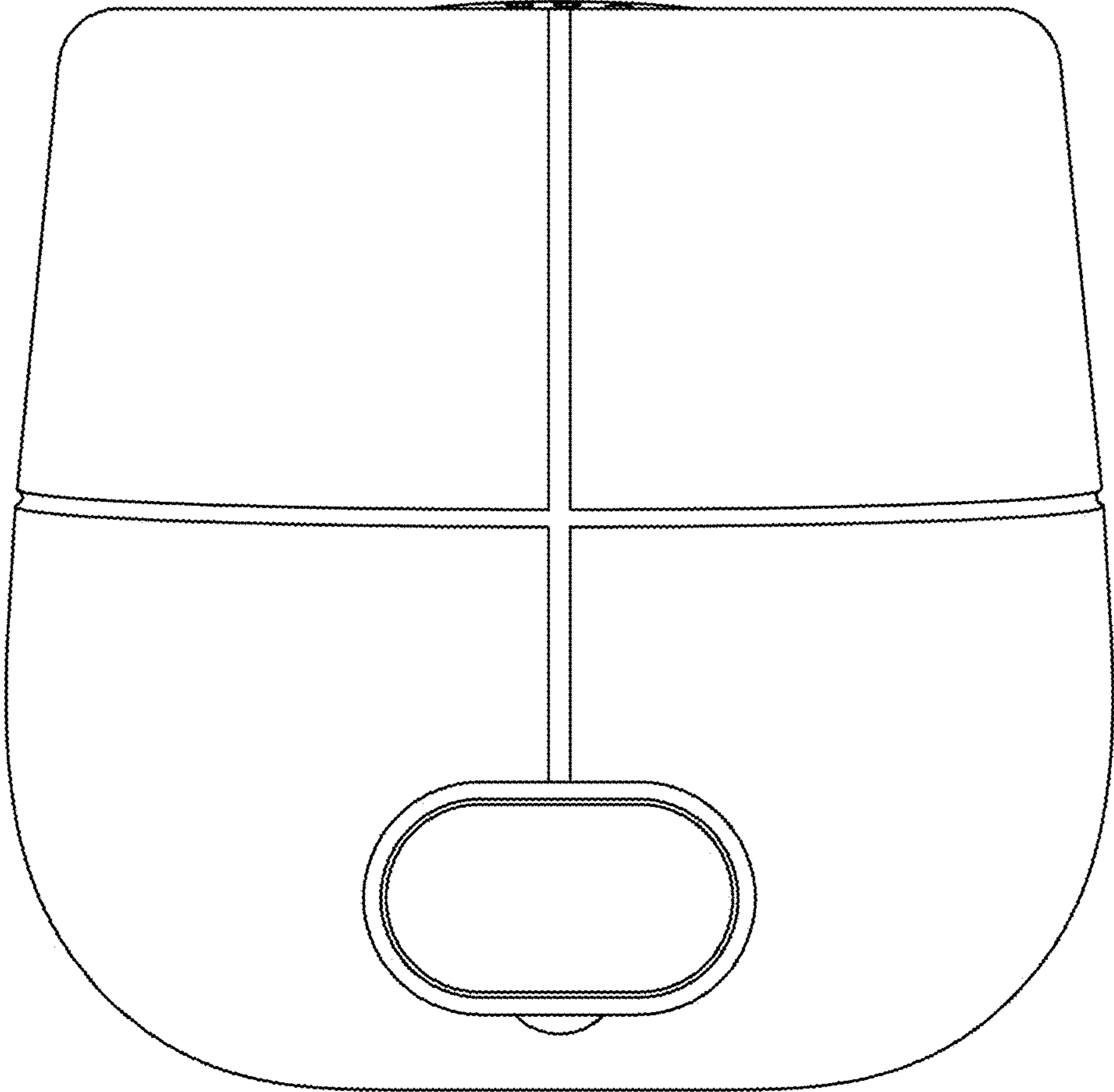


FIG. 2

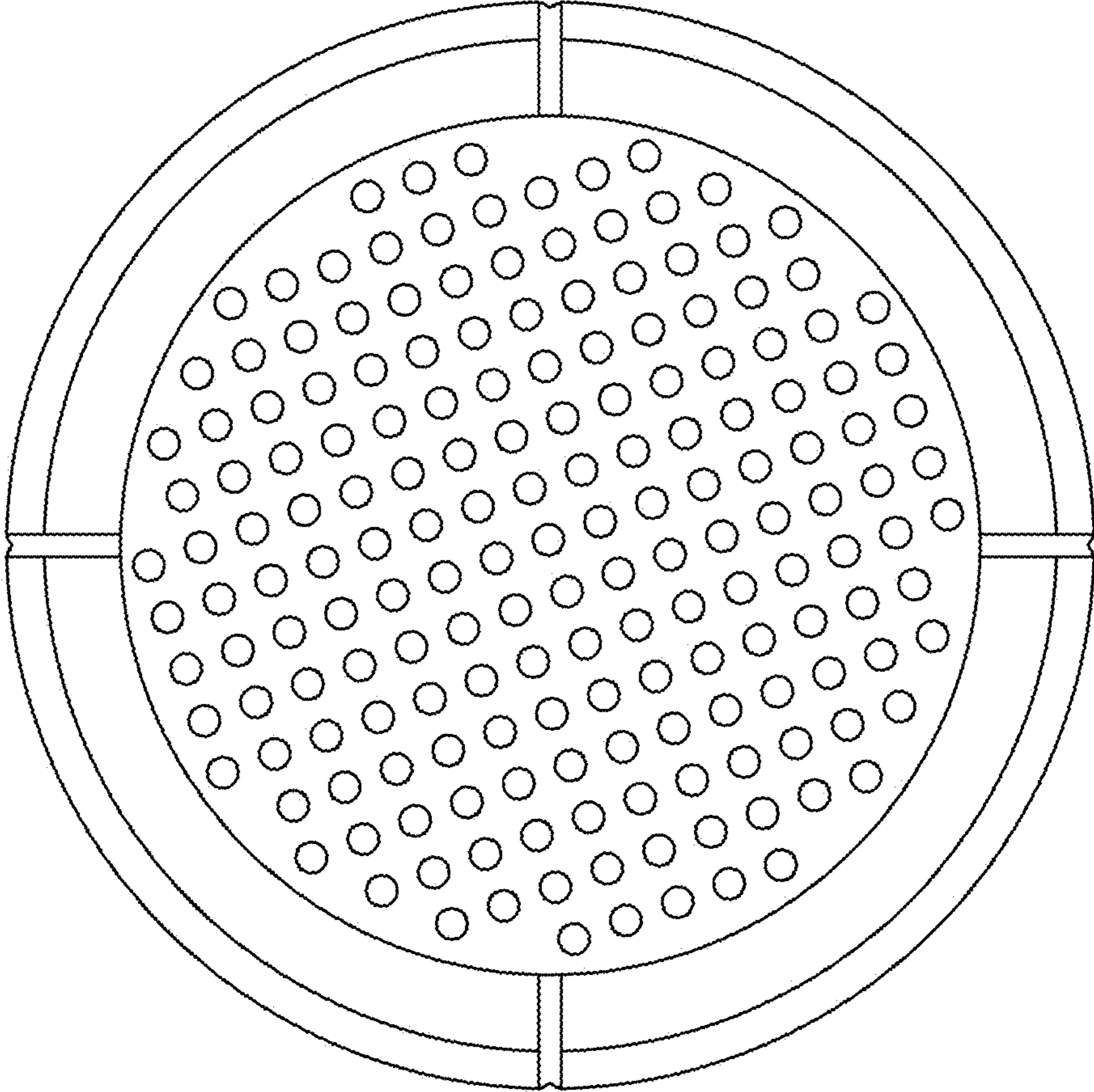


FIG. 3

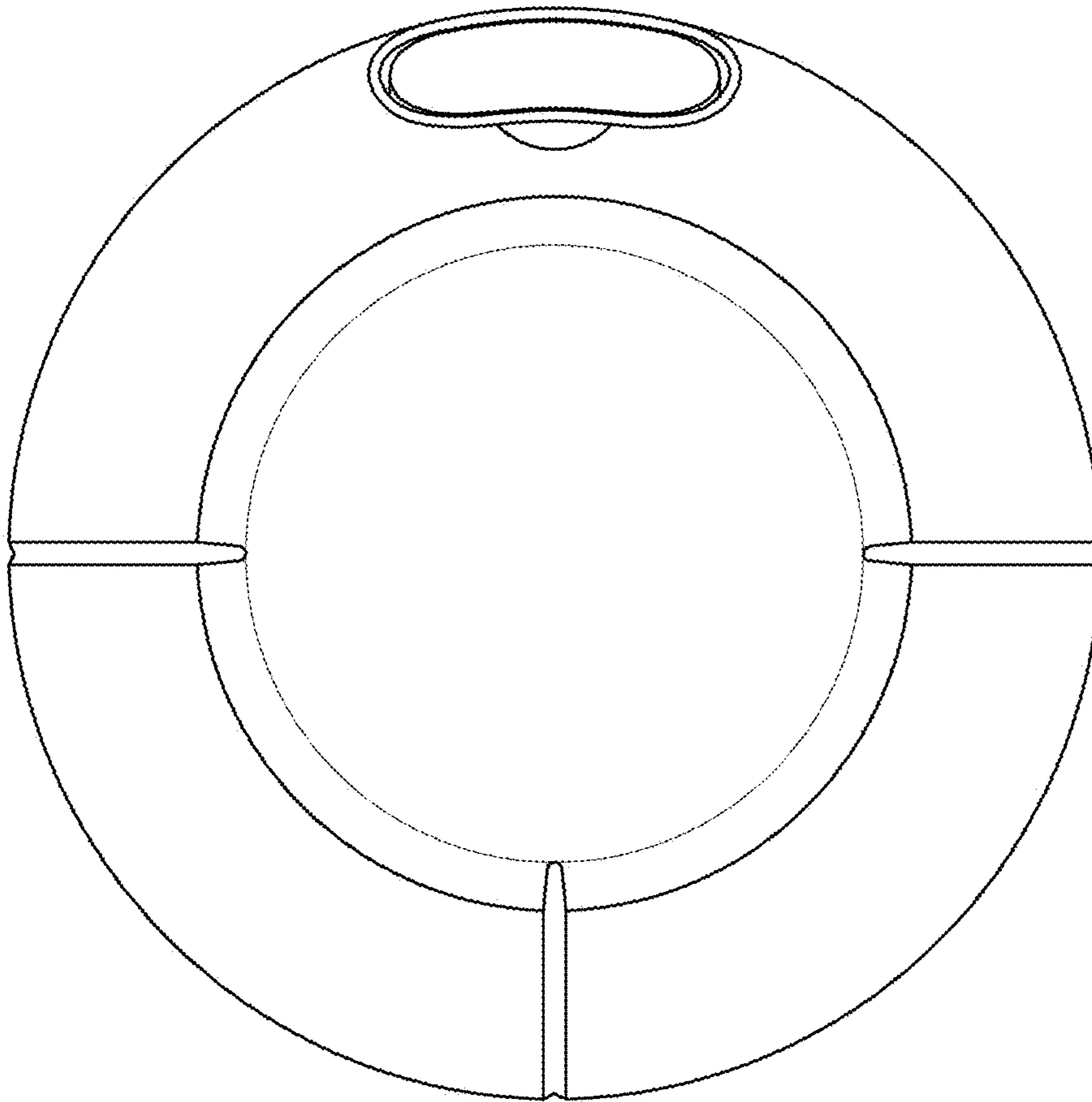


FIG. 4

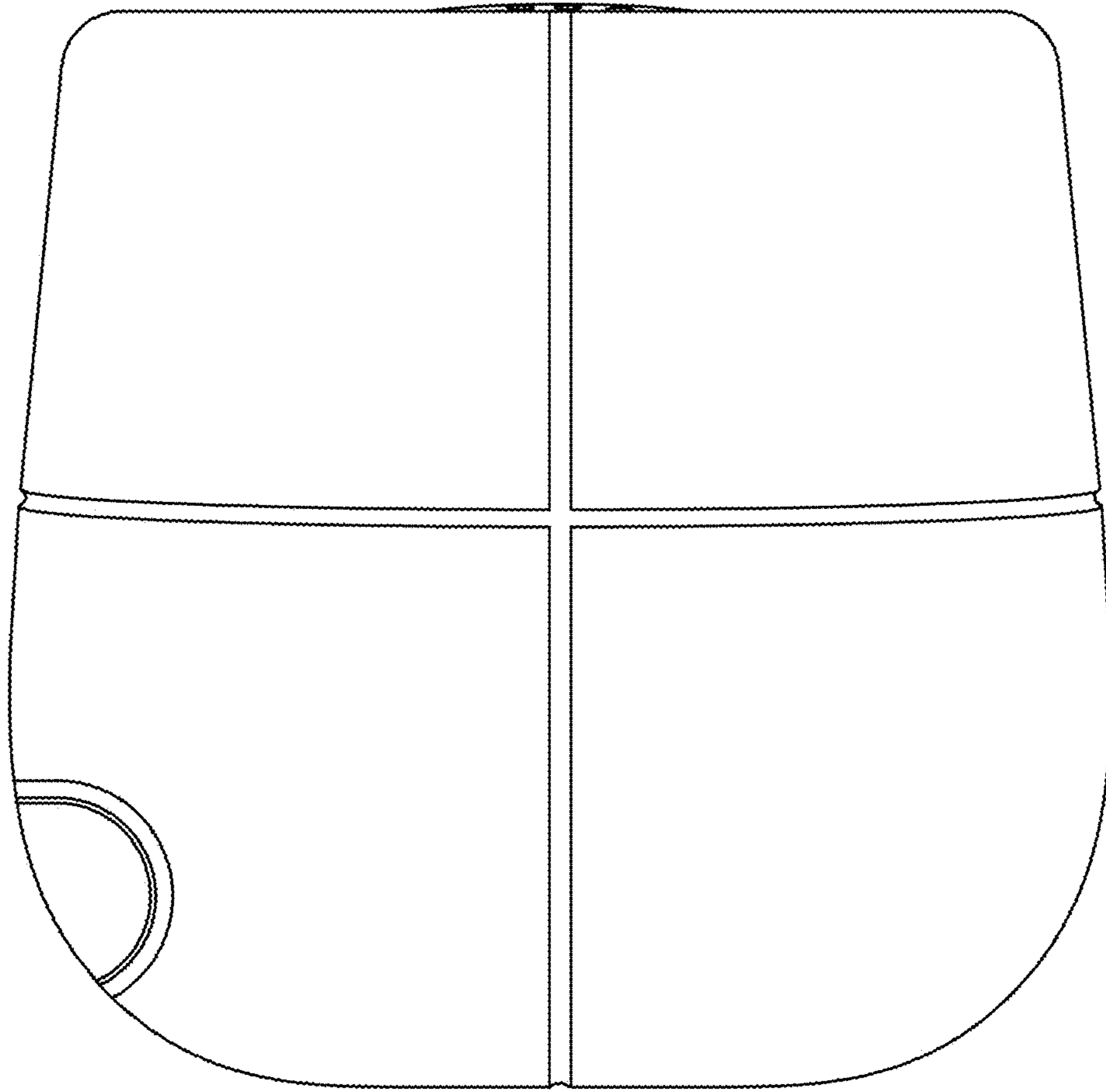


FIG. 5

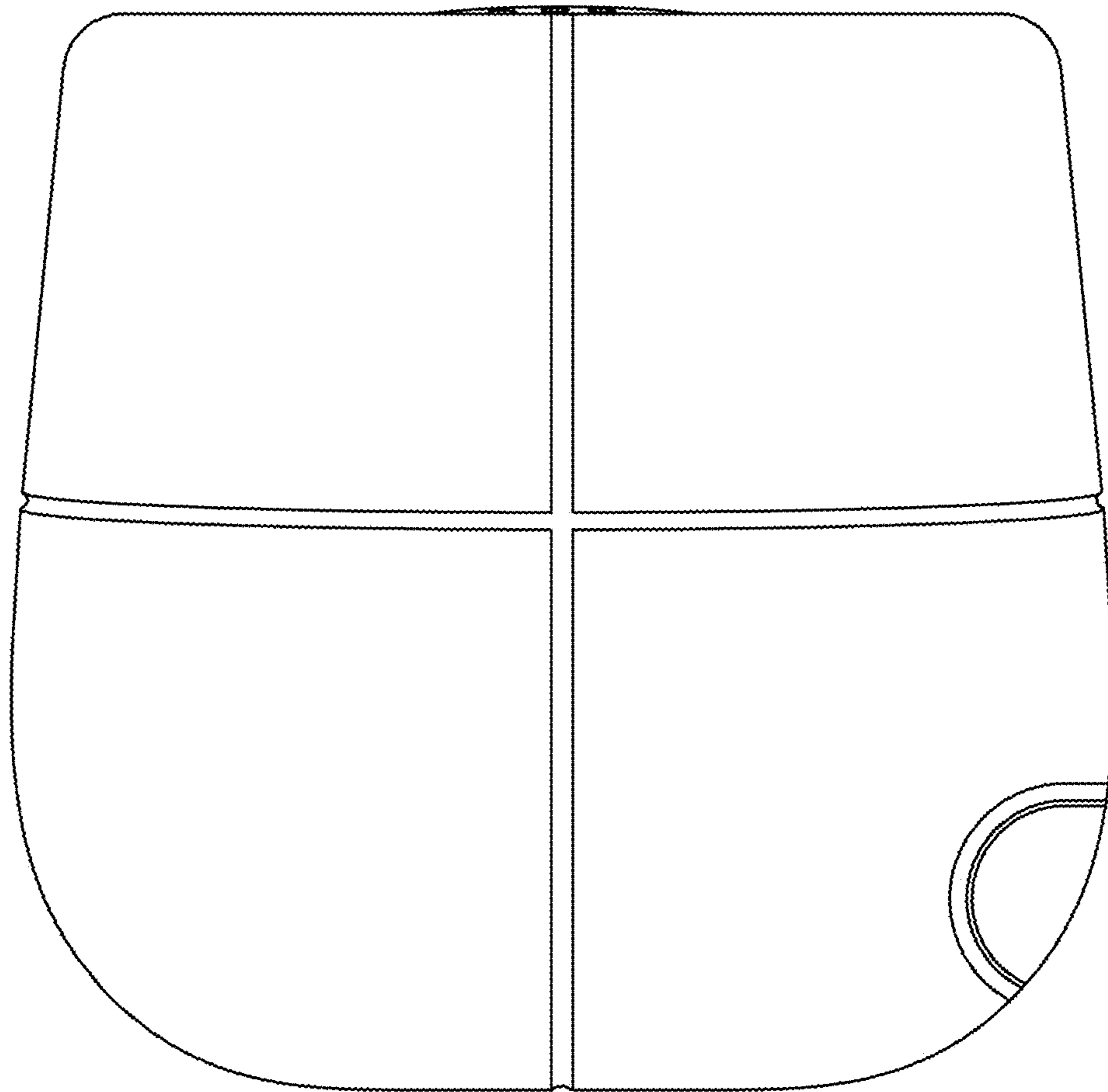


FIG. 6

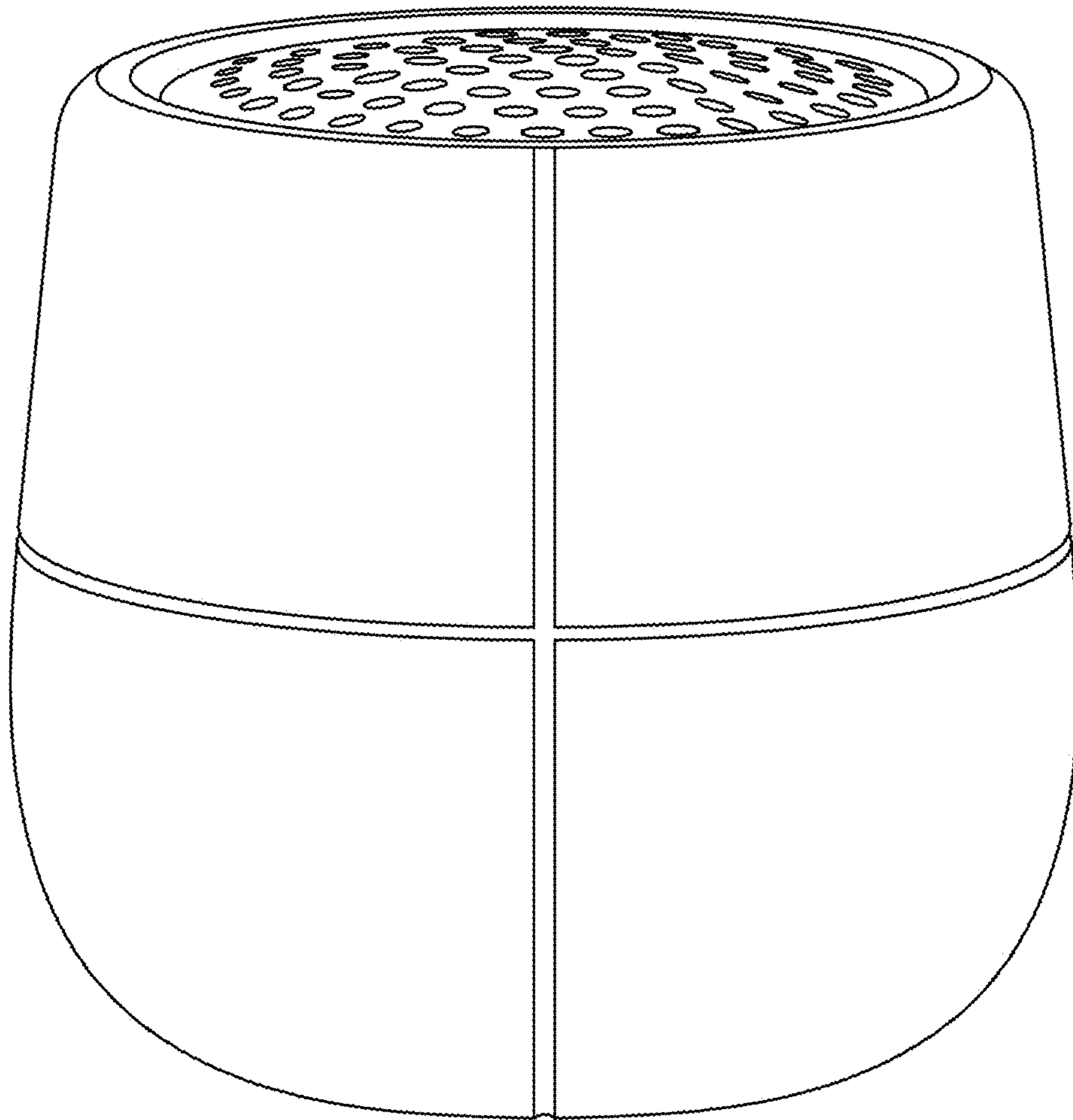


FIG. 7