



US00D934194S

(12) **United States Design Patent** (10) **Patent No.:** **US D934,194 S**
Simonelli et al. (45) **Date of Patent:** **** Oct. 26, 2021**

(54) **SPEAKER**
(71) Applicant: **LEXON**, Boulogne Billancourt (FR)
(72) Inventors: **Manuela Simonelli**, Paris (FR);
Andrea Quaglio, Paris (FR)
(73) Assignee: **LEXON**, Boulogne Billancourt (FR)
(**) Term: **15 Years**

D924,221 S * 7/2021 Hong D14/252
2014/0064535 A1 * 3/2014 Zhao H04R 1/021
381/332
2015/0339896 A1 * 11/2015 Stagg G08B 17/10
340/521

FOREIGN PATENT DOCUMENTS

CN 201930383756.2 * 12/2019
EM 007002621-0001 * 10/2019

(Continued)

(21) Appl. No.: **29/710,299**
(22) Filed: **Oct. 22, 2019**
(51) **LOC (13) Cl.** **14-01**
(52) **U.S. Cl.**
USPC **D14/204**
(58) **Field of Classification Search**
USPC D14/204–216, 155–159, 160–173, 187,
D14/188, 203.1–203.8, 217–222,
D14/225–229, 496
CPC H04R 1/02; H04R 1/021; H04R 1/023;
H04R 5/00; H04R 9/06; H04R 2420/07
See application file for complete search history.

OTHER PUBLICATIONS

Lexon Mino L—5W Pairable Bluetooth Speaker, Jul. 3, 2019
[online], [retrieved Oct. 30, 2020], Retrieved from Internet, URL:
<<https://www.amazon.com/Lexon-Mino-Bluetooth-Rechargeable-Hands-Free/dp/B07TXJWKT9>> (Year: 2019).*

(Continued)

Primary Examiner — Barbara Fox
Assistant Examiner — Aram Kwon
(74) *Attorney, Agent, or Firm* — Burriss Law, PLLC

(56) **References Cited**

U.S. PATENT DOCUMENTS

D756,957 S * 5/2016 Nylén D14/204
D822,004 S * 7/2018 Tan D14/216
D826,738 S * 8/2018 Liao D10/52
D828,332 S * 9/2018 Hu D14/216
D863,247 S * 10/2019 Suzuki D14/149
D867,334 S * 11/2019 She D14/216
D868,031 S * 11/2019 Ryu D14/216
D879,737 S * 3/2020 Suzuki D14/149
D884,677 S * 5/2020 Feng D14/216
D885,367 S * 5/2020 Guo D14/216
D886,801 S * 6/2020 Feng D14/216
D888,017 S * 6/2020 Yuan D14/216
D888,688 S * 6/2020 Xie D14/216
D889,434 S * 7/2020 Xie D14/216
D901,427 S * 11/2020 Zhang D14/149

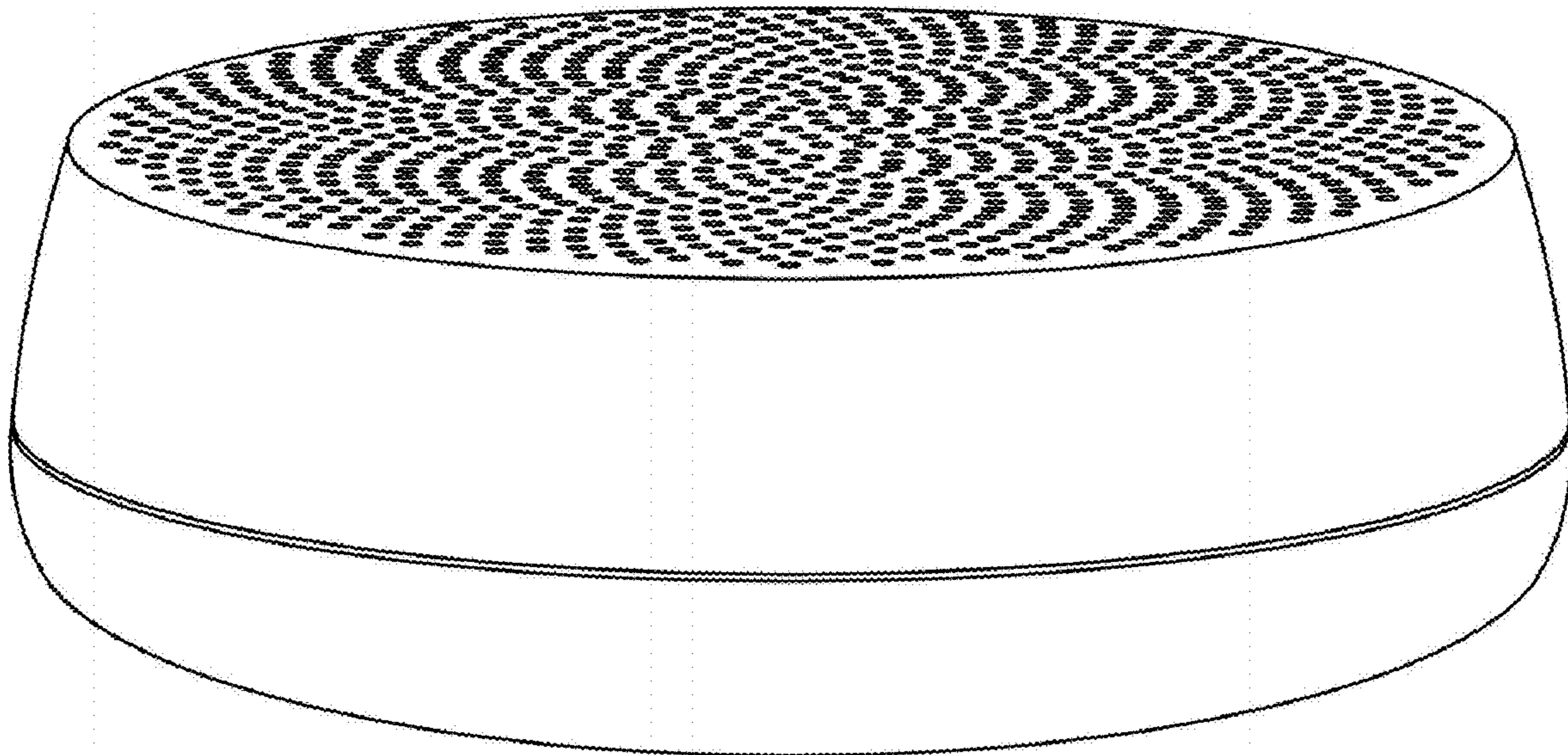
(57) **CLAIM**

The ornamental design for a speaker, as shown and described.

DESCRIPTION

FIG. 1 is a front view of a speaker;
FIG. 2 is a rear view thereof;
FIG. 3 is a top view thereof;
FIG. 4 is a bottom view thereof;
FIG. 5 is a left side view thereof;
FIG. 6 is a right side view thereof; and,
FIG. 7 is a front perspective view thereof.
The broken lines in the figures depict portions of the speaker that form no part of the claimed design.

1 Claim, 7 Drawing Sheets



(56)

References Cited

FOREIGN PATENT DOCUMENTS

JP	D2019-15603	*	2/2020
KR	3020170056604	*	7/2018
KR	3020190052661	*	9/2020
KR	3020190059990	*	9/2020
WO	WOD203558-001	*	11/2019
WO	WOD204286-001	*	2/2020

OTHER PUBLICATIONS

Mino L, date not available, [retrieved Oct. 30, 2020], Retrieved from Internet, URL: <<https://lexon-design.com/us/product/mino-l/>> (Year: 2020).*

* cited by examiner

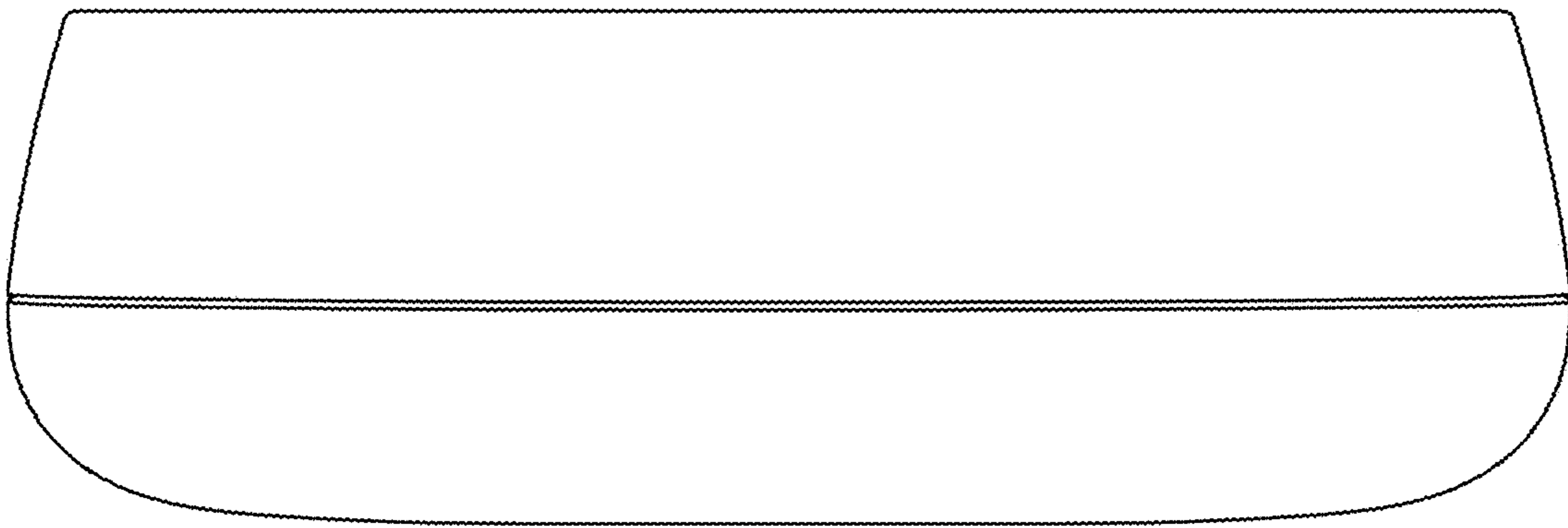


FIG. 1

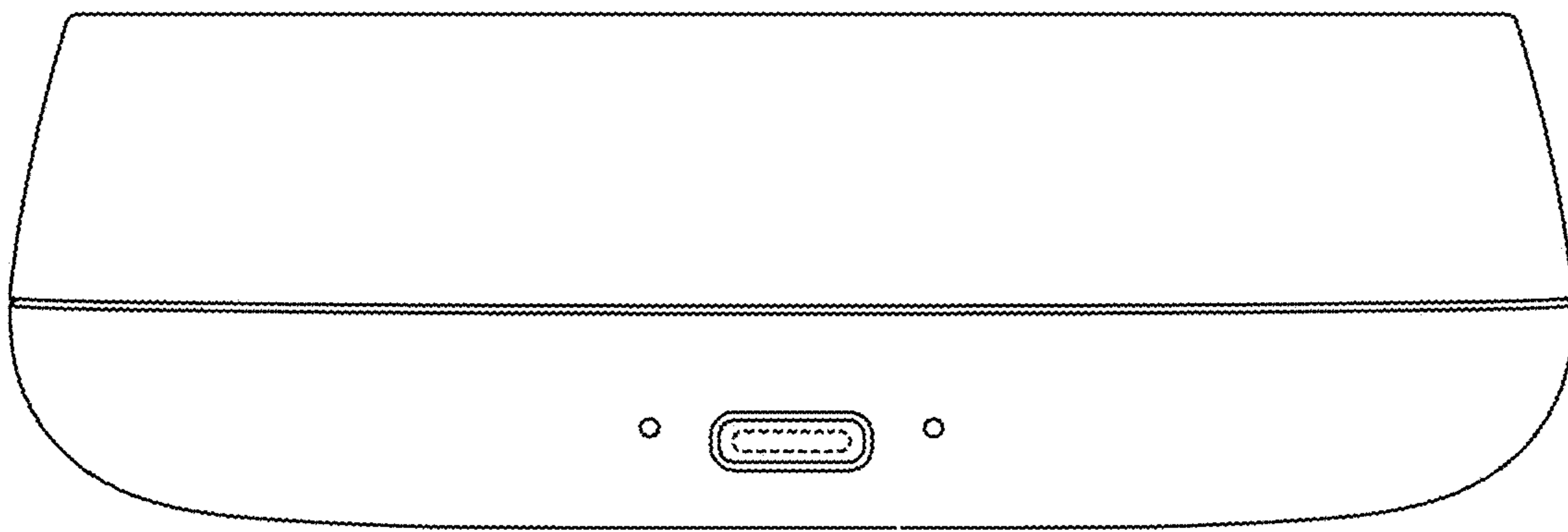


FIG. 2

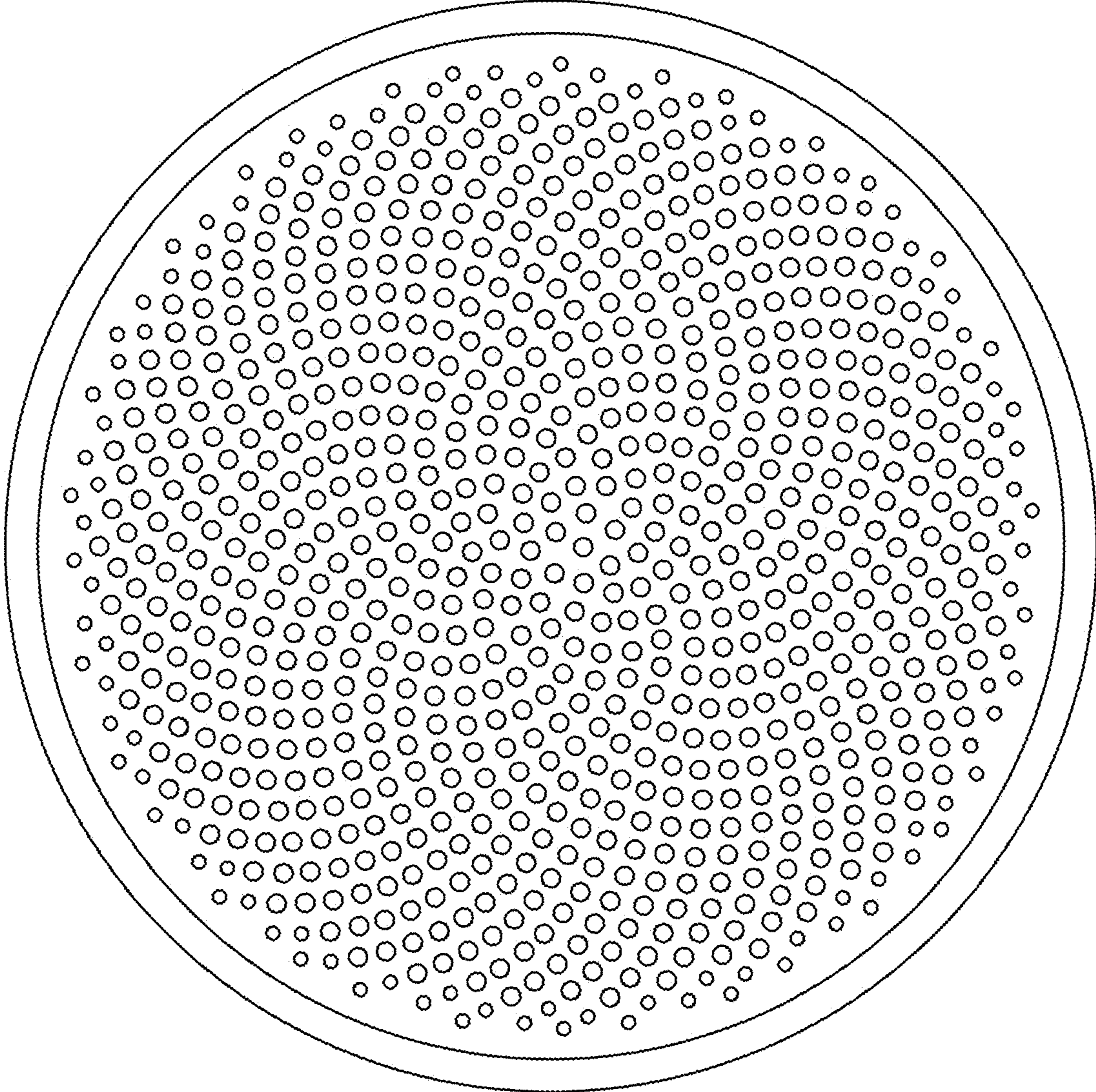


FIG. 3

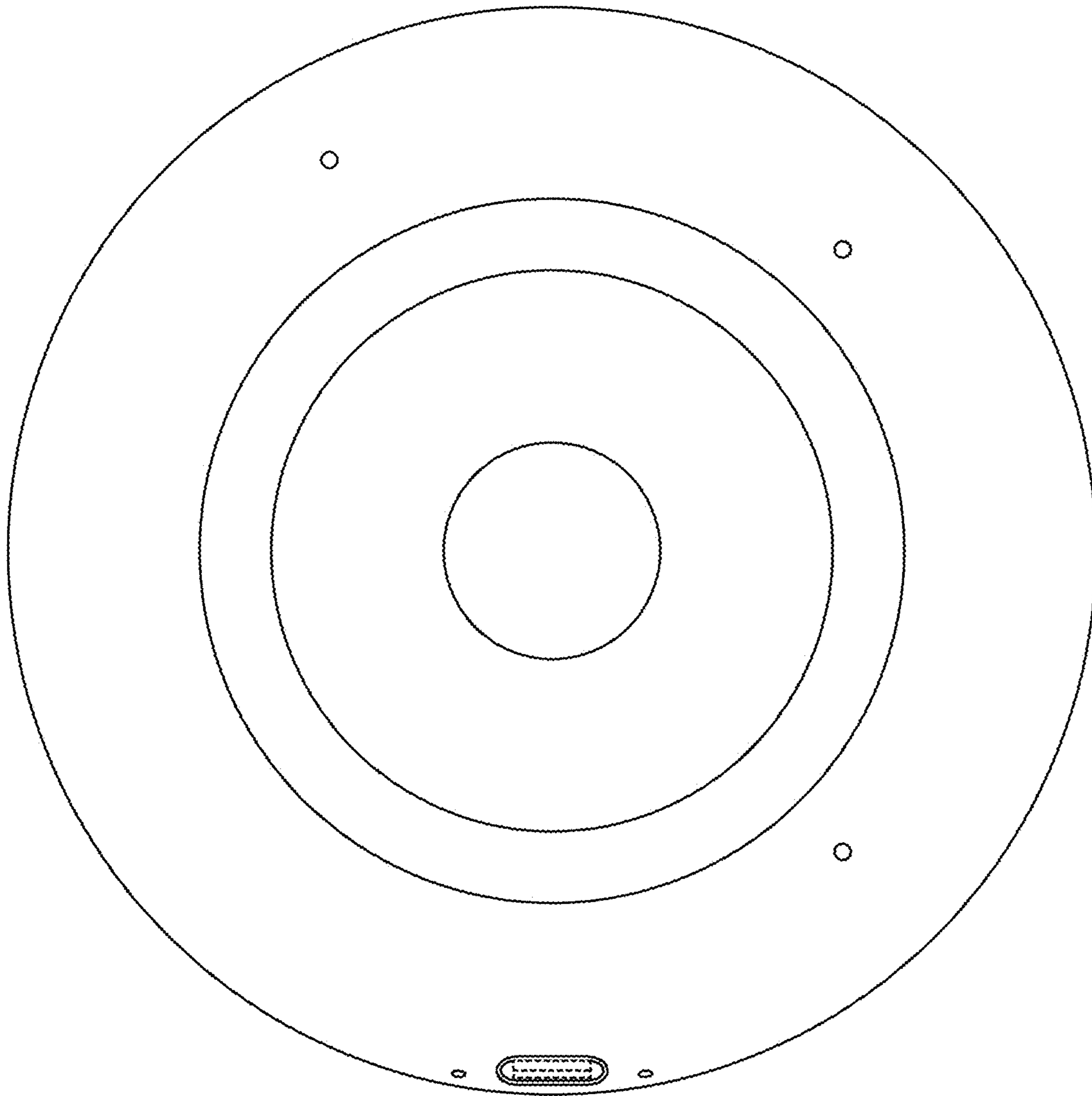


FIG. 4

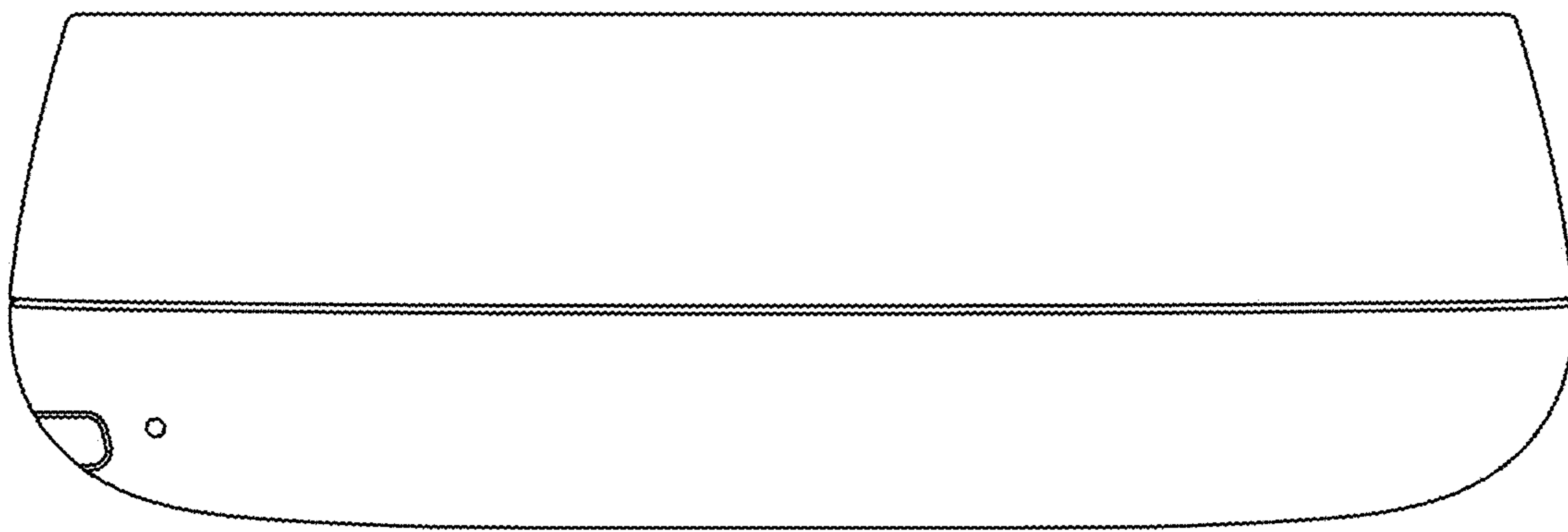


FIG. 5

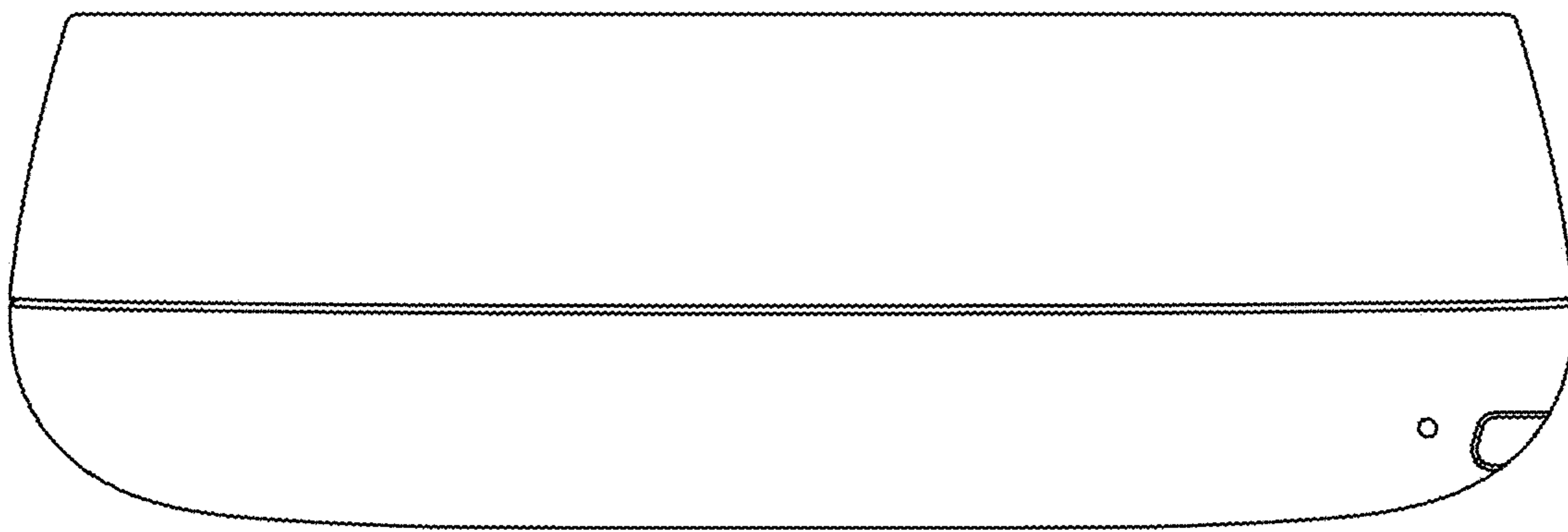


FIG. 6

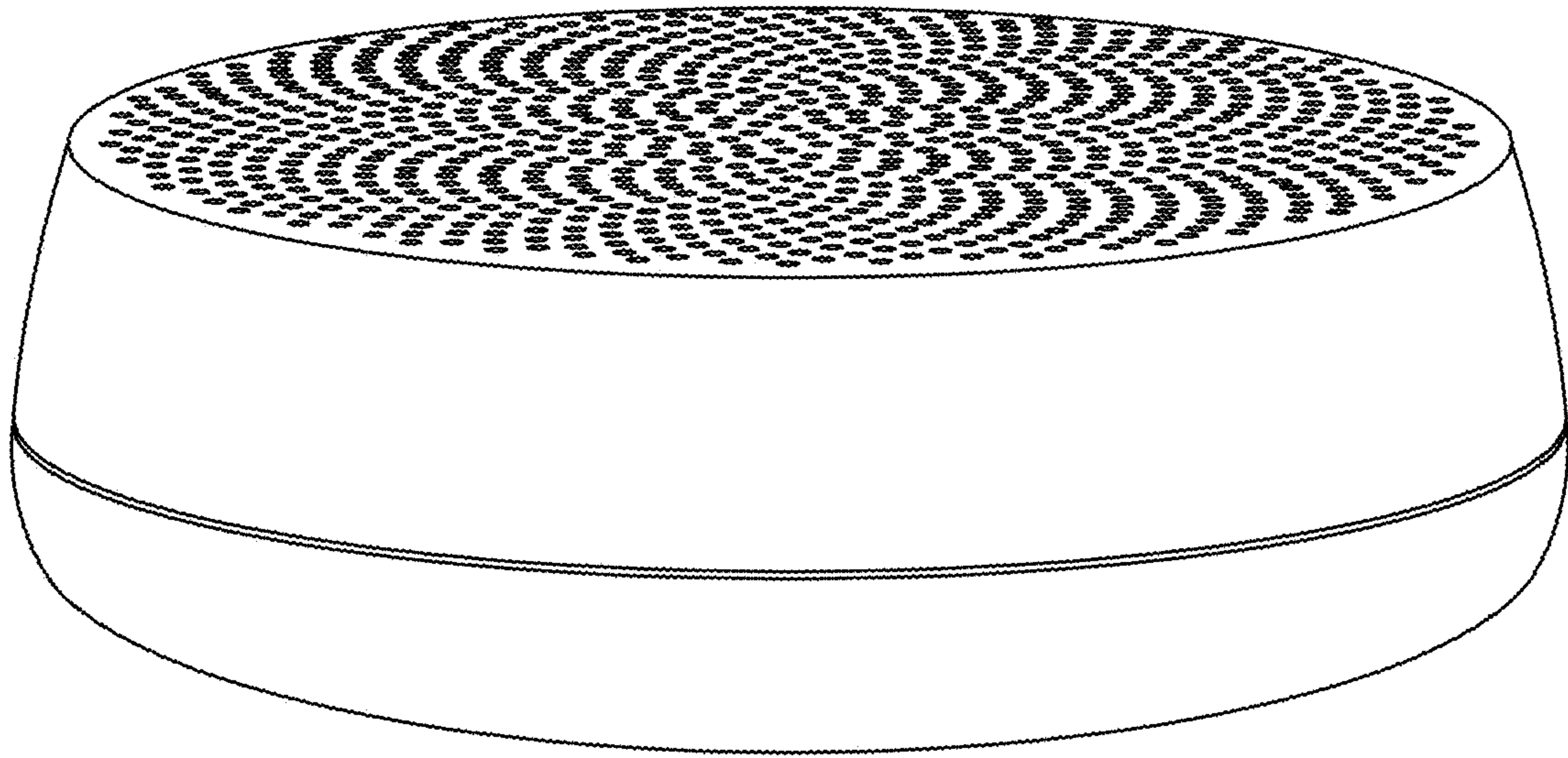


FIG. 7