



US00D934193S

(12) **United States Design Patent** (10) **Patent No.:** **US D934,193 S**
Zhang et al. (45) **Date of Patent:** **** Oct. 26, 2021**

(54) **SMART SPEAKER**
(71) Applicant: **Comcast Cable Communications, LLC**, Philadelphia, PA (US)
(72) Inventors: **Zhe Zhang**, Wood Ridge, NJ (US); **Henry Homza**, Philadelphia, PA (US); **Michael Jou**, Philadelphia, PA (US); **Neil Epstein**, Bryn Mawr, PA (US); **Fraser Stirling**, Bryn Mawr, PA (US); **Thomas Loretan**, Philadelphia, PA (US)
(73) Assignee: **Comcast Cable Communications, LLC**, Philadelphia, PA (US)

D654,866 S * 2/2012 Rautiainen D13/108
D723,461 S * 3/2015 Chen D13/108
D742,824 S * 11/2015 Hsu D13/103
D782,430 S * 3/2017 Tam D14/125
D786,789 S * 5/2017 Jordan D13/108
D790,460 S * 6/2017 HibmaCronan D13/110
D794,598 S * 8/2017 Clerc D14/150
D800,081 S * 10/2017 Koo D14/125
D808,389 S * 1/2018 Judge D14/358
D834,565 S * 11/2018 Sarrasin D14/227
D847,106 S * 4/2019 Koo D14/125
D850,627 S * 6/2019 Purani D24/186
D854,518 S * 7/2019 Zhang D14/218
D860,937 S * 9/2019 Slaatto D13/108
D883,294 S * 5/2020 Xie D14/434
D889,449 S * 7/2020 Abellera D14/242
10,743,093 B2 * 8/2020 Nakatsukasa H04R 1/023

(**) Term: **15 Years**

* cited by examiner

(21) Appl. No.: **29/666,903**

Primary Examiner — Rebekah A Caruso

(22) Filed: **Oct. 17, 2018**

(74) Attorney, Agent, or Firm — BakerHostetler

(51) **LOC (13) Cl.** **14-01**

(57) **CLAIM**

(52) **U.S. Cl.**
USPC **D14/204**

The ornamental design for a smart speaker, as shown and described.

(58) **Field of Classification Search**
USPC D14/125, 137, 155, 167, 168, 172, 188, D14/203.1, 203.3, 203.4, 204, 209, 210, D14/212, 217, 218, 240, 265, 314, 348, D14/356–359, 432, 433, 496, 203.5, D14/203.7, 203.8, 242, 341, 344; D13/108, 110; D3/218
CPC H04R 1/02; H04R 1/021; H04R 1/025; H04R 1/026; H04R 9/06; H04R 2400/00; H04N 5/50; H04N 5/64; G06F 3/16; G10K 15/04

DESCRIPTION

See application file for complete search history.

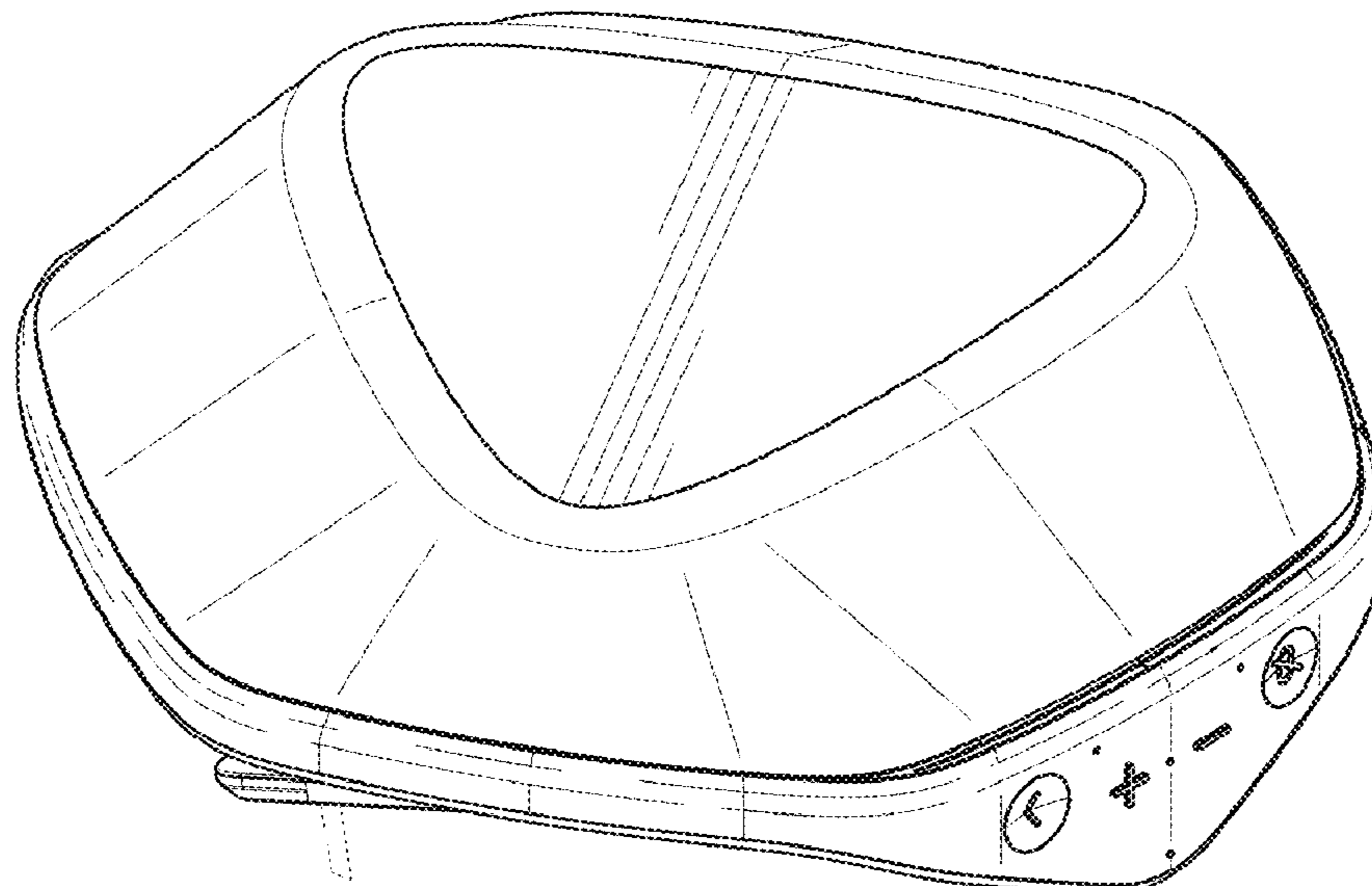
FIG. 1 is a top perspective view of a smart speaker according to the present disclosure;
FIG. 2 is a bottom perspective view of the smart speaker of FIG. 1;
FIG. 3 is a front view of the smart speaker of FIG. 1;
FIG. 4 is a rear view of the smart speaker of FIG. 1;
FIG. 5 is a top view of the smart speaker of FIG. 1;
FIG. 6 is a bottom view of the smart speaker of FIG. 1;
FIG. 7 is a right side view of the smart speaker of FIG. 1; and,
FIG. 8 is a left side view of the smart speaker of FIG. 1.
The broken line portion of the drawings is included to show subject matter that forms no part of the claimed design.

(56) **References Cited**

U.S. PATENT DOCUMENTS

D357,685 S * 4/1995 Reardon D14/239
D599,379 S * 9/2009 Ryu D14/203.3

1 Claim, 4 Drawing Sheets



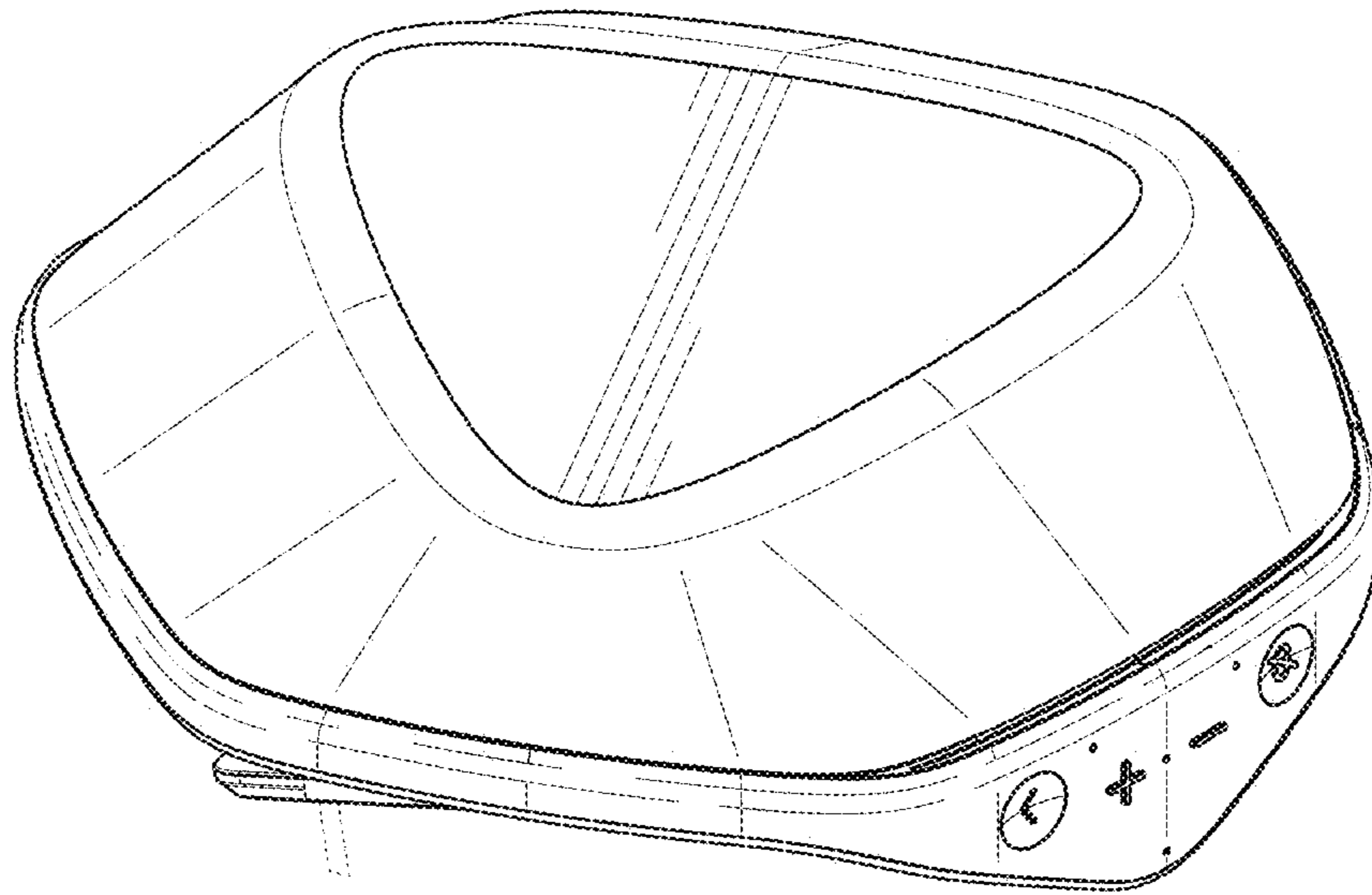


FIG. 1

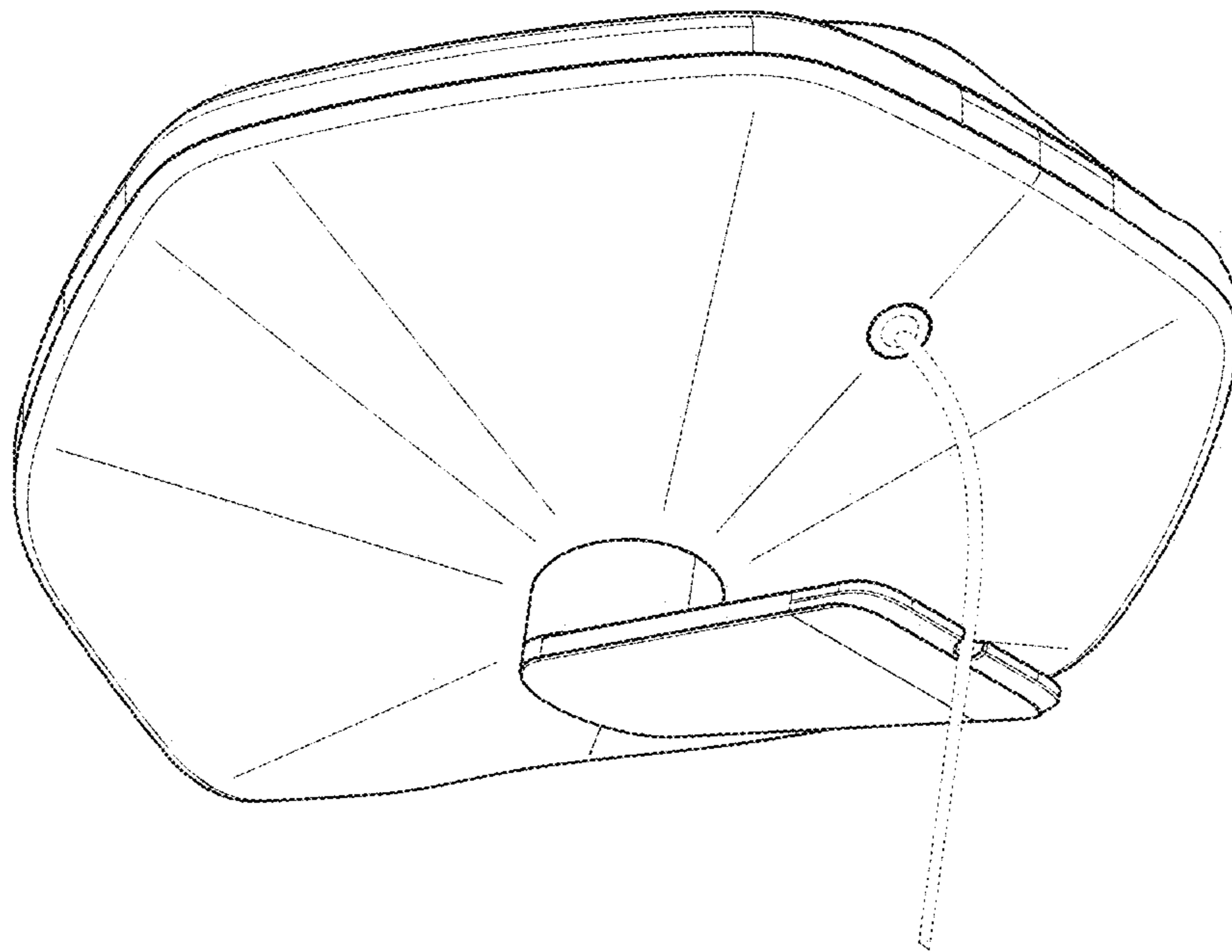


FIG. 2

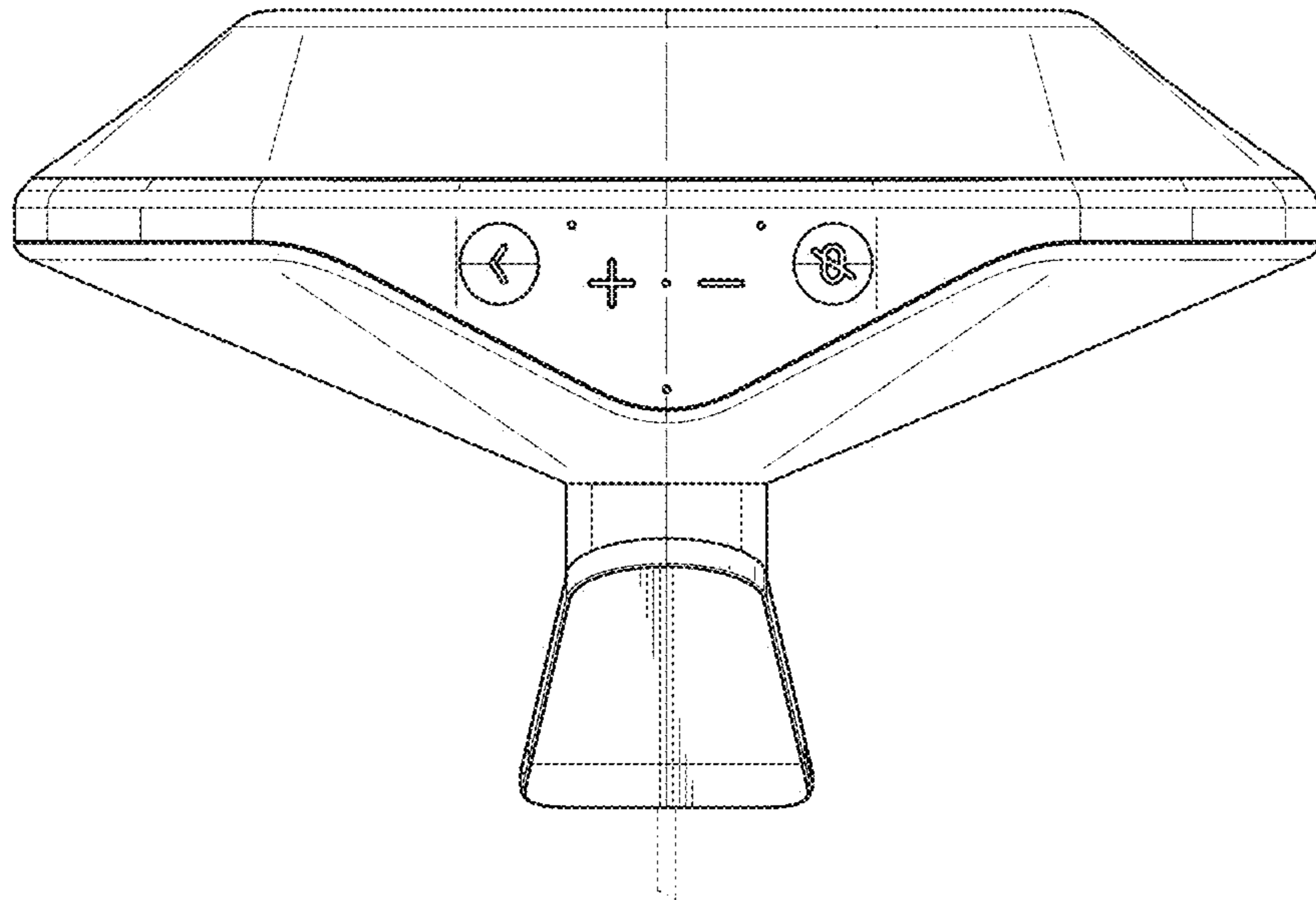


FIG. 3

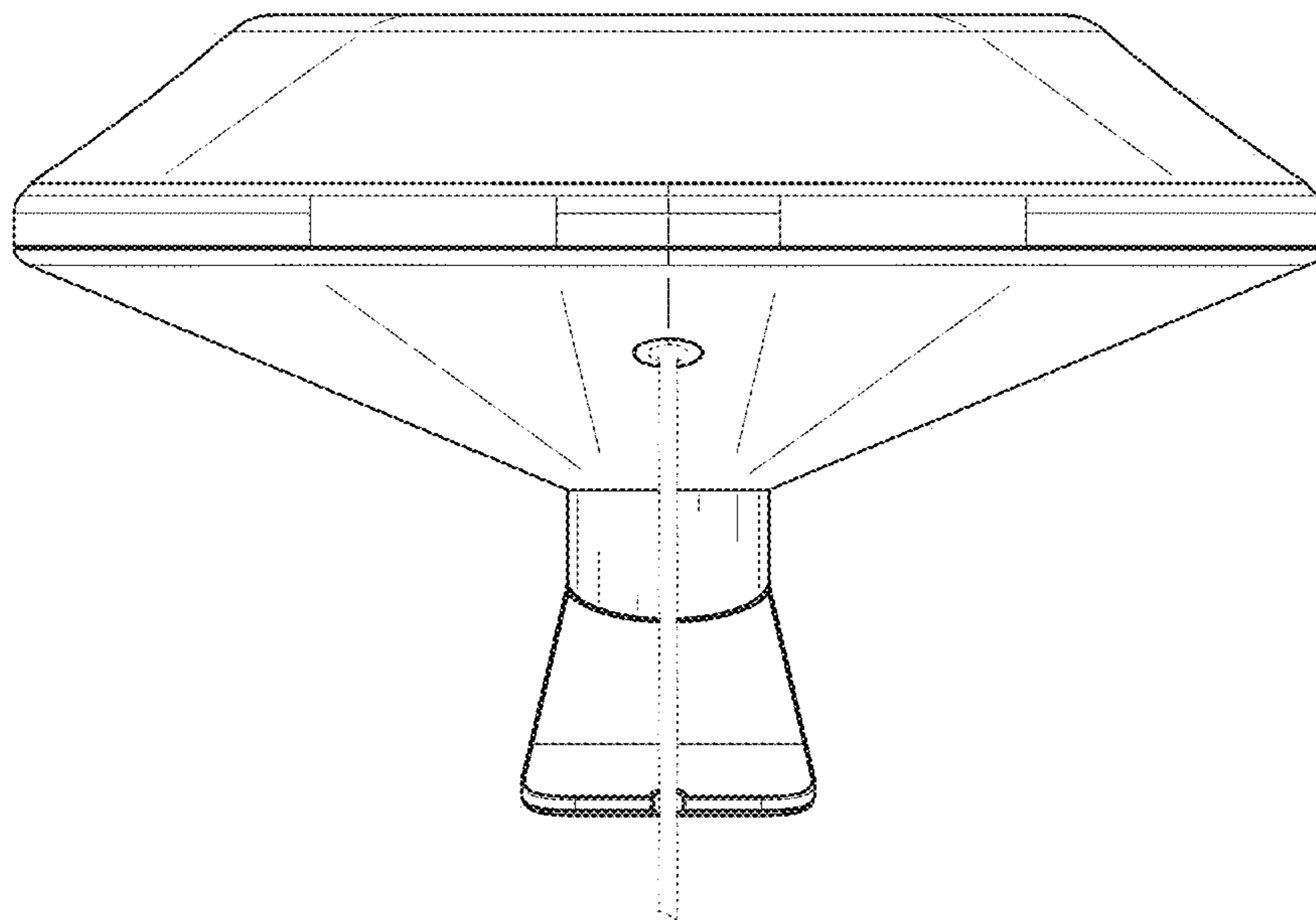


FIG. 4

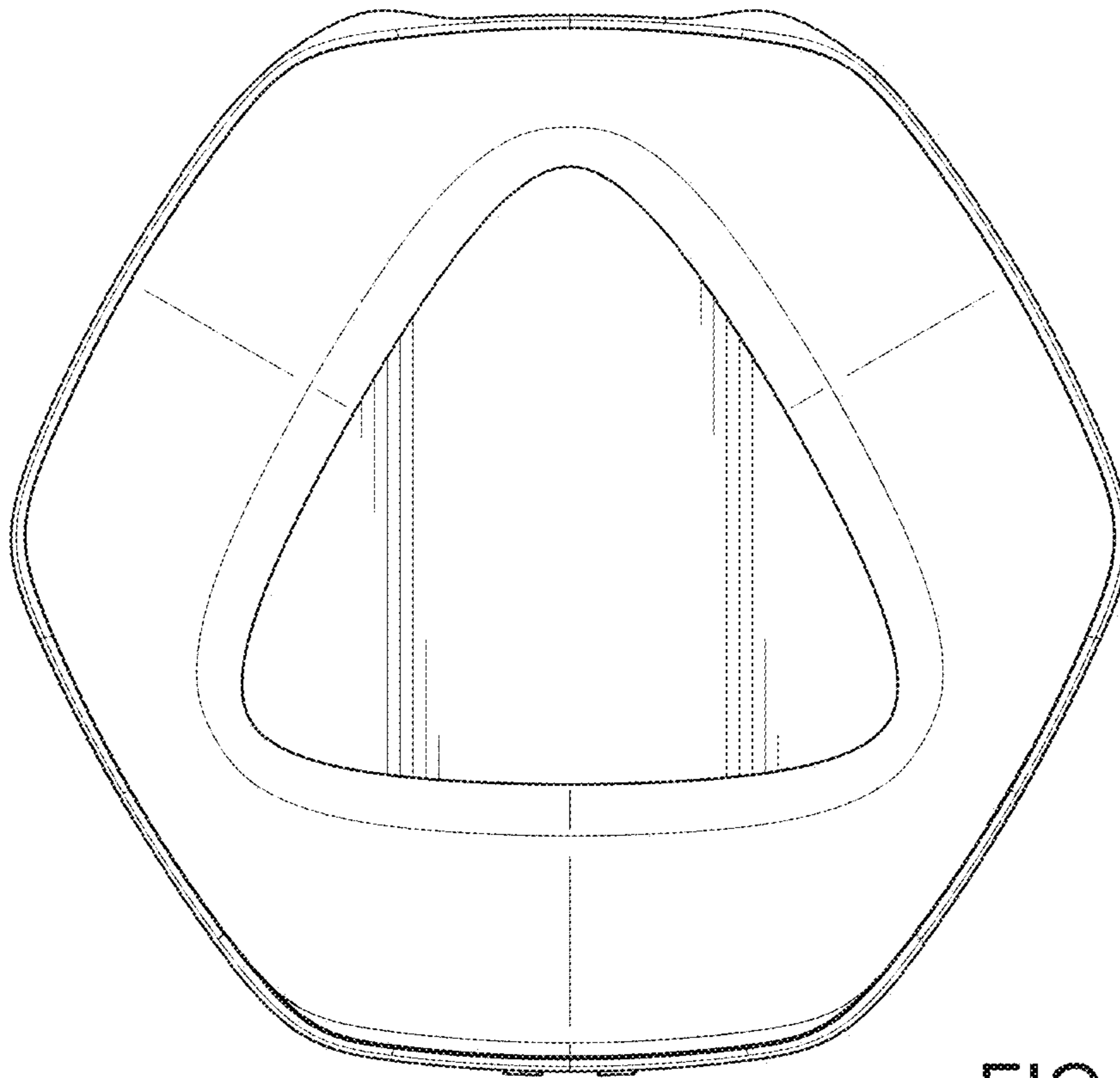


FIG. 5

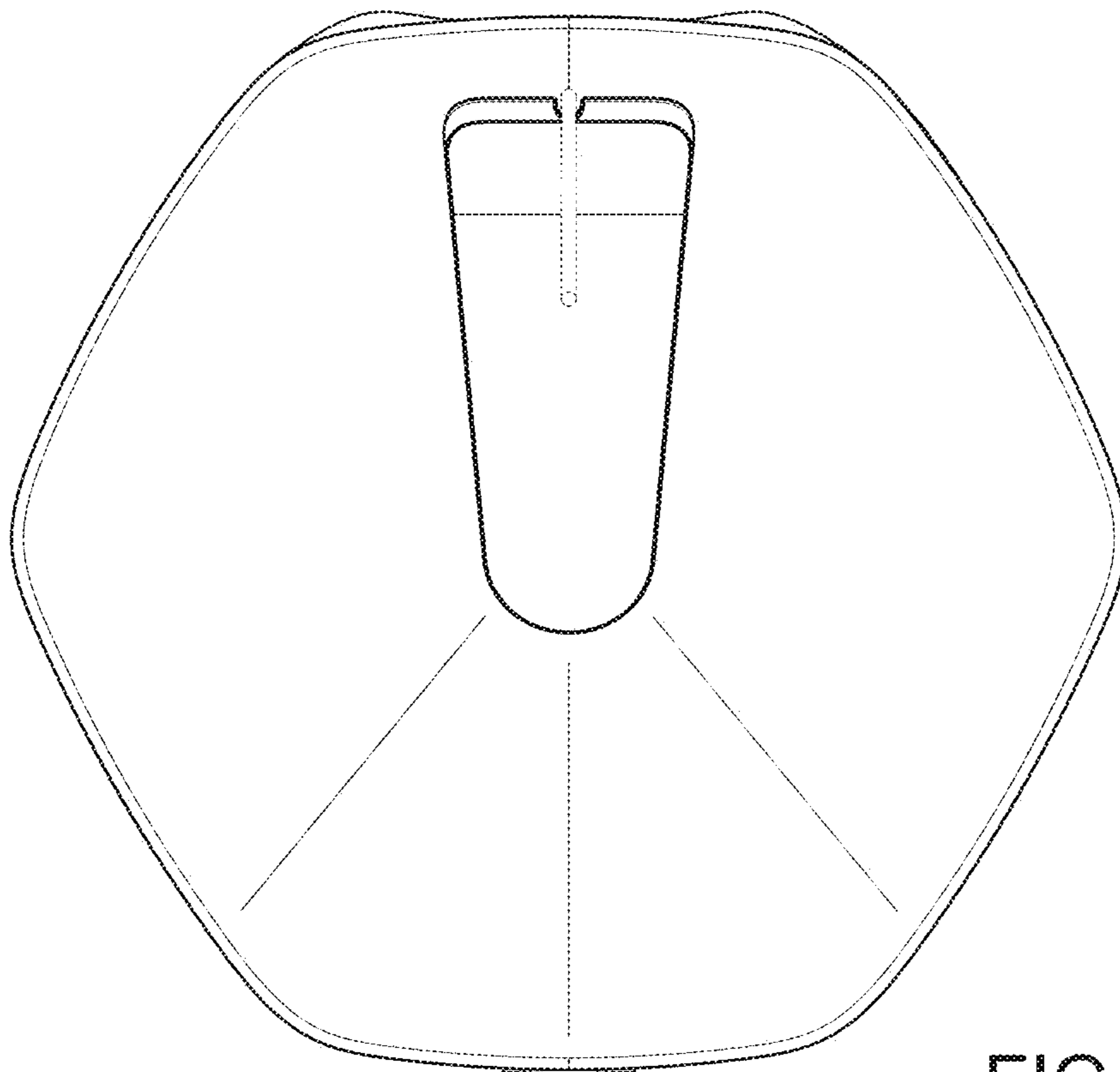


FIG. 6

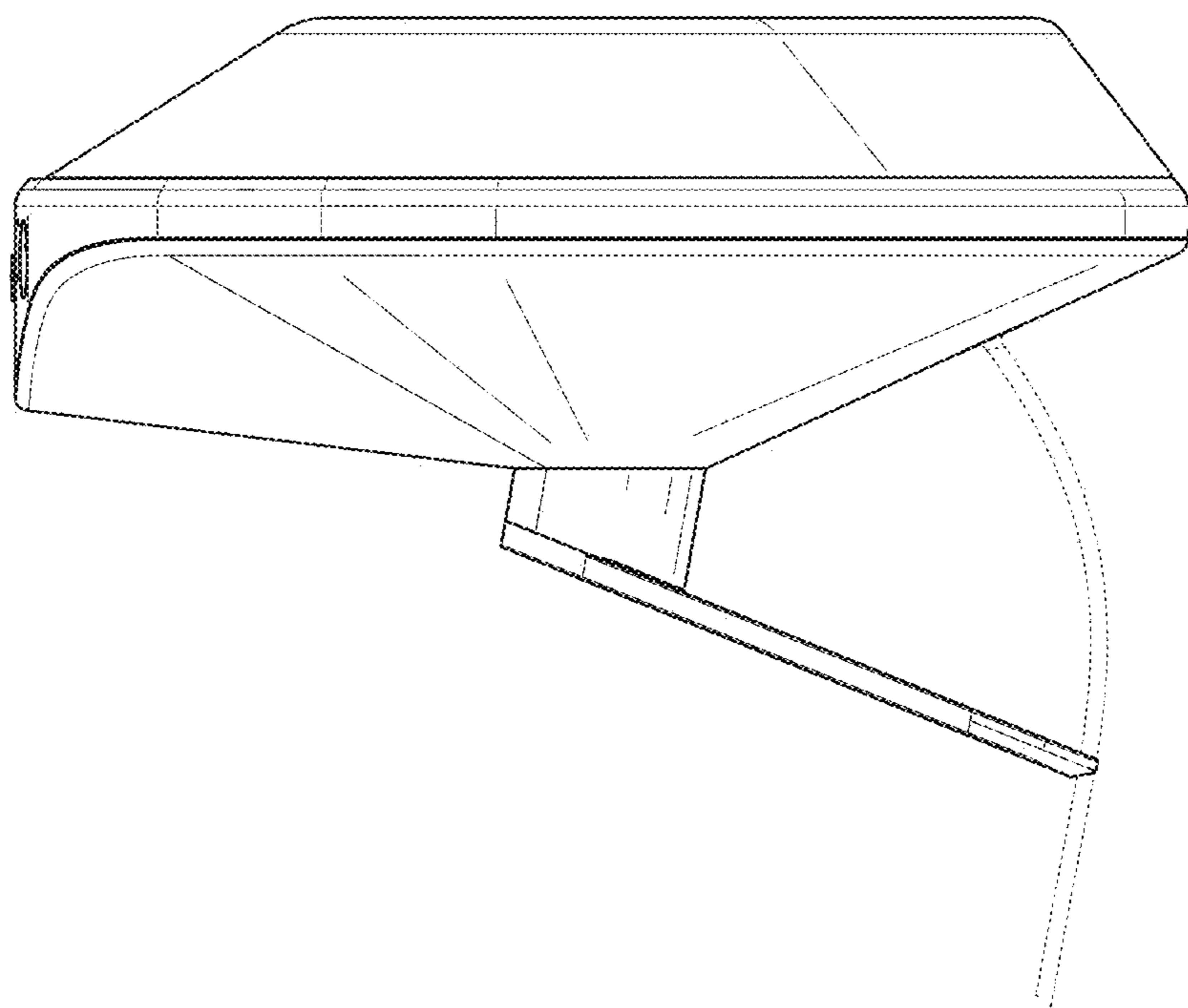


FIG. 7

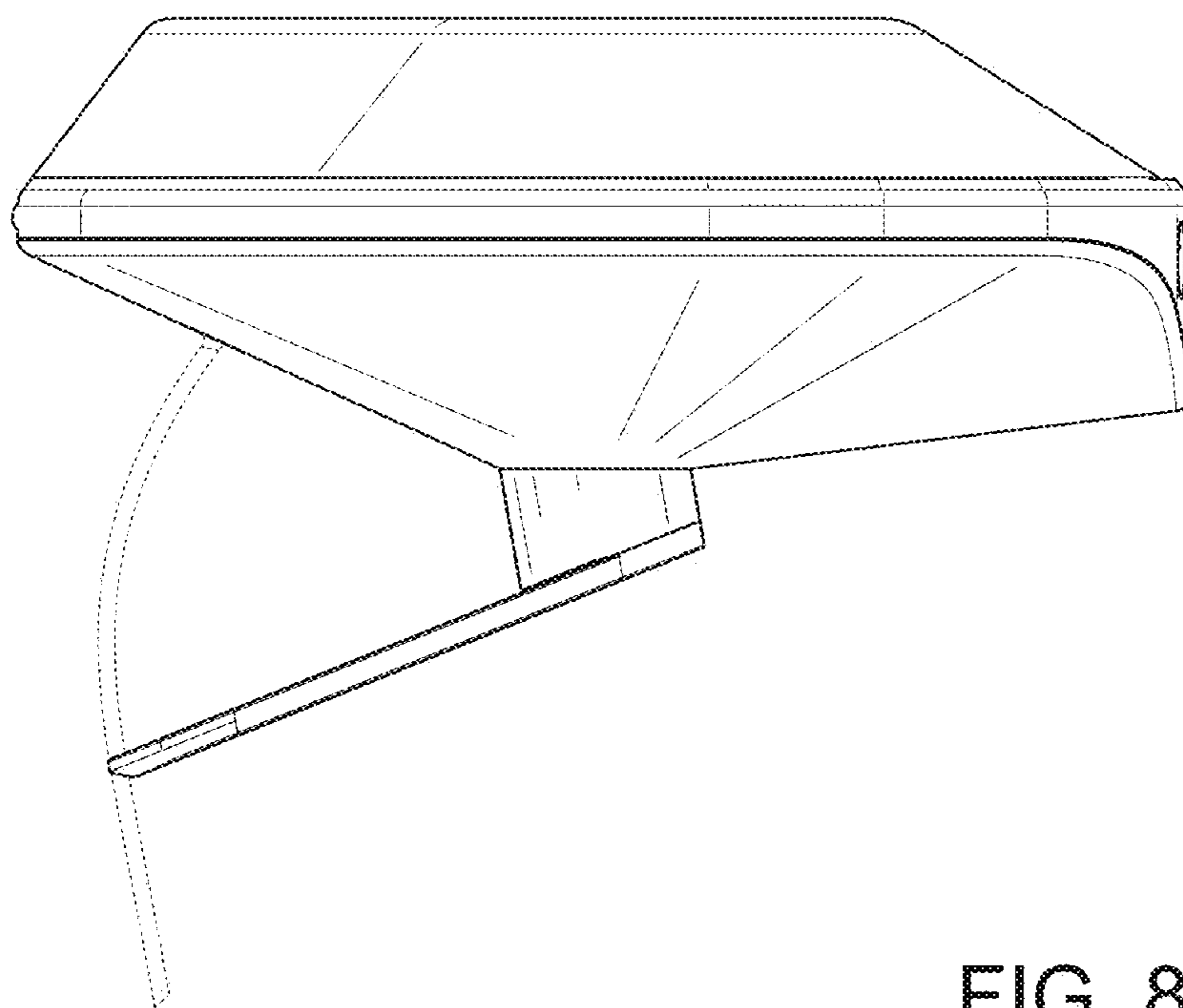


FIG. 8