



US00D934186S

(12) **United States Design Patent**
Omote

(10) **Patent No.:** **US D934,186 S**

(45) **Date of Patent:** **** Oct. 26, 2021**

(54) **MOTOR CONTROLLER**

(71) Applicants: **KABUSHIKI KAISHA TOSHIBA**,
Tokyo (JP); **TOSHIBA ELECTRONIC
DEVICES & STORAGE
CORPORATION**, Tokyo (JP)

(72) Inventor: **Hirofumi Omote**, Tokyo (JP)

(73) Assignees: **KABUSHIKI KAISHA TOSHIBA**,
Tokyo (JP); **TOSHIBA ELECTRONIC
DEVICES & STORAGE
CORPORATION**, Tokyo (JP)

(**) Term: **15 Years**

(21) Appl. No.: **29/717,177**

(22) Filed: **Dec. 16, 2019**

(30) **Foreign Application Priority Data**

Jun. 18, 2019 (JP) 2019-013396

(51) **LOC (13) Cl.** **13-03**

(52) **U.S. Cl.**
USPC **D13/162**; D13/110; D13/123; D15/5

(58) **Field of Classification Search**
USPC D13/101, 110, 122, 123, 124, 126, 162,
D13/184, 199

CPC .. H05K 7/20; H05K 7/20845; H05K 7/20872;
H05K 7/2089; H05K 7/20927

See application file for complete search history.

(56) **References Cited**

U.S. PATENT DOCUMENTS

D352,275 S * 11/1994 Crawley D13/122
D456,782 S * 5/2002 Nagai D13/162
D525,194 S * 7/2006 Nagai D13/110
D637,562 S * 5/2011 Worm D13/162
D811,437 S * 2/2018 Li D15/5

D831,073 S * 10/2018 Squire D15/5
2013/0069493 A1 * 3/2013 Ogawa H02K 11/33
310/68 D
2013/0215573 A1 * 8/2013 Wagner H05K 7/2089
361/702
2014/0285970 A1 * 9/2014 Shinohara H05K 7/2089
361/689
2016/0156300 A1 * 6/2016 Nakamura B65H 7/20
271/256
2016/0157391 A1 * 6/2016 Huang H05K 7/20872
62/243
2018/0343775 A1 * 11/2018 Huang H01L 25/072
2019/0252971 A1 * 8/2019 Kim H05K 5/00

(Continued)

FOREIGN PATENT DOCUMENTS

CN 304287346 S 9/2017
CN 304618643 S 5/2018
CN 304945104 S 12/2018

(Continued)

Primary Examiner — Selina Sikder

(74) *Attorney, Agent, or Firm* — Jeffri A. Kaminski;
Venable LLP

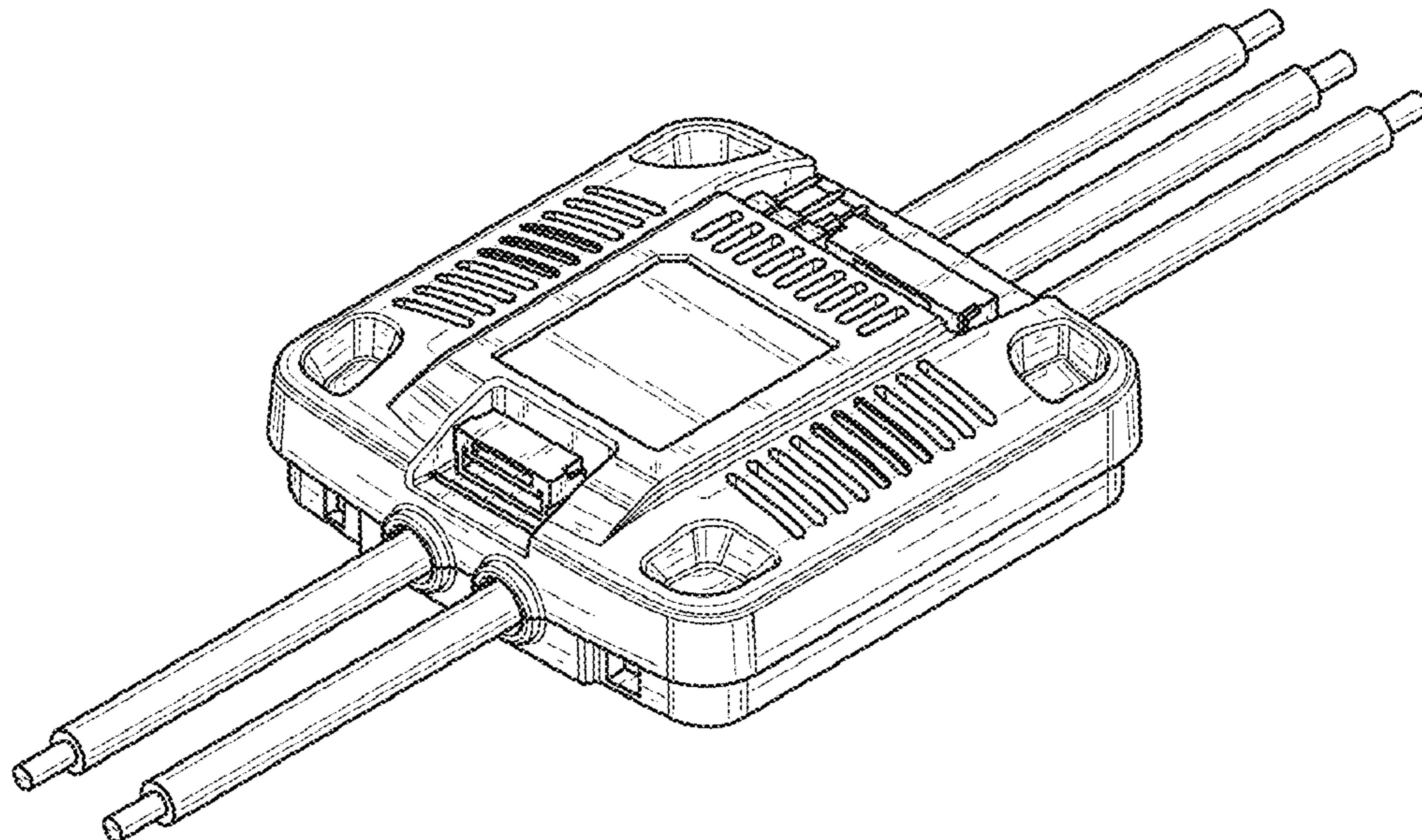
(57) **CLAIM**

The ornamental design for a motor controller, as shown and described.

DESCRIPTION

FIG. 1 is a perspective view of the motor controller, according to an embodiment of the new design;
FIG. 2 is another perspective view thereof;
FIG. 3 is a front view thereof;
FIG. 4 is a top view thereof;
FIG. 5 is a rear view thereof;
FIG. 6 is a bottom view thereof;
FIG. 7 is a left side view thereof; and,
FIG. 8 is a right side view thereof.

1 Claim, 8 Drawing Sheets



(56)

References Cited

U.S. PATENT DOCUMENTS

2019/0326841 A1* 10/2019 Matsumoto H02P 6/157

FOREIGN PATENT DOCUMENTS

JP	1416771	6/2011
JP	1436551	3/2012
JP	1455416	11/2012
JP	1455417	11/2012
JP	1576839 S	5/2017
JP	1591745 S	11/2017

* cited by examiner

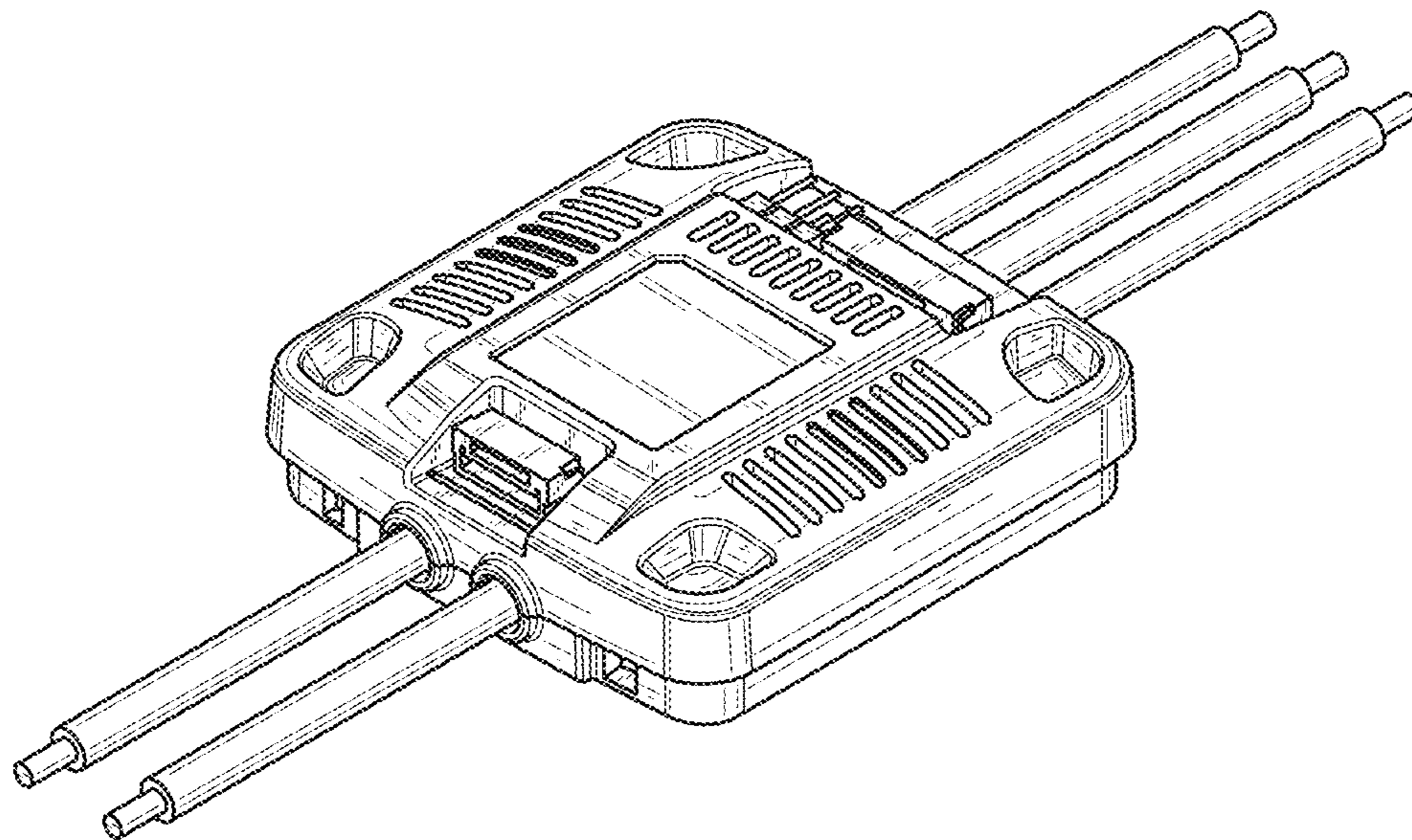


FIG. 1

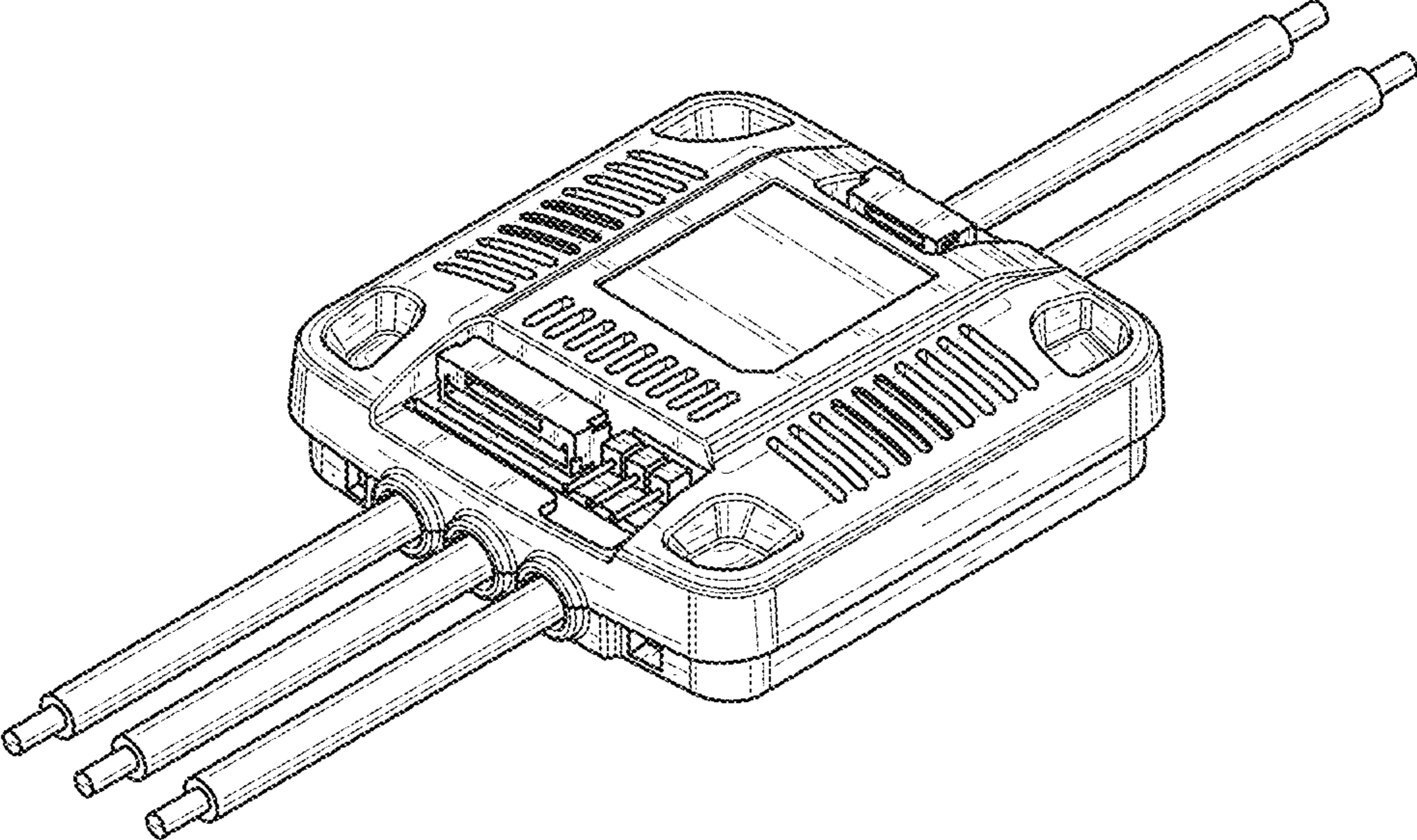


FIG. 2

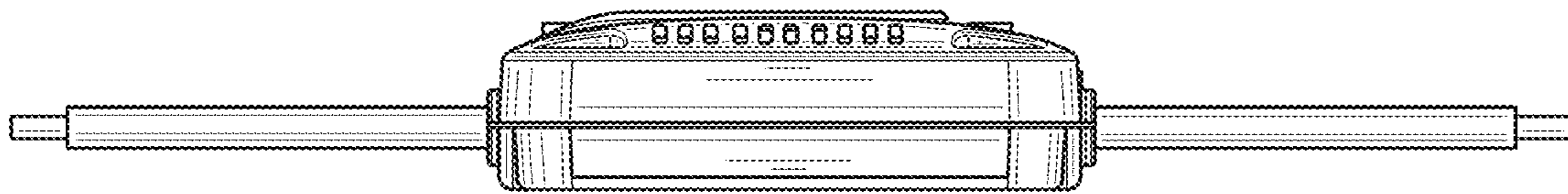


FIG. 3

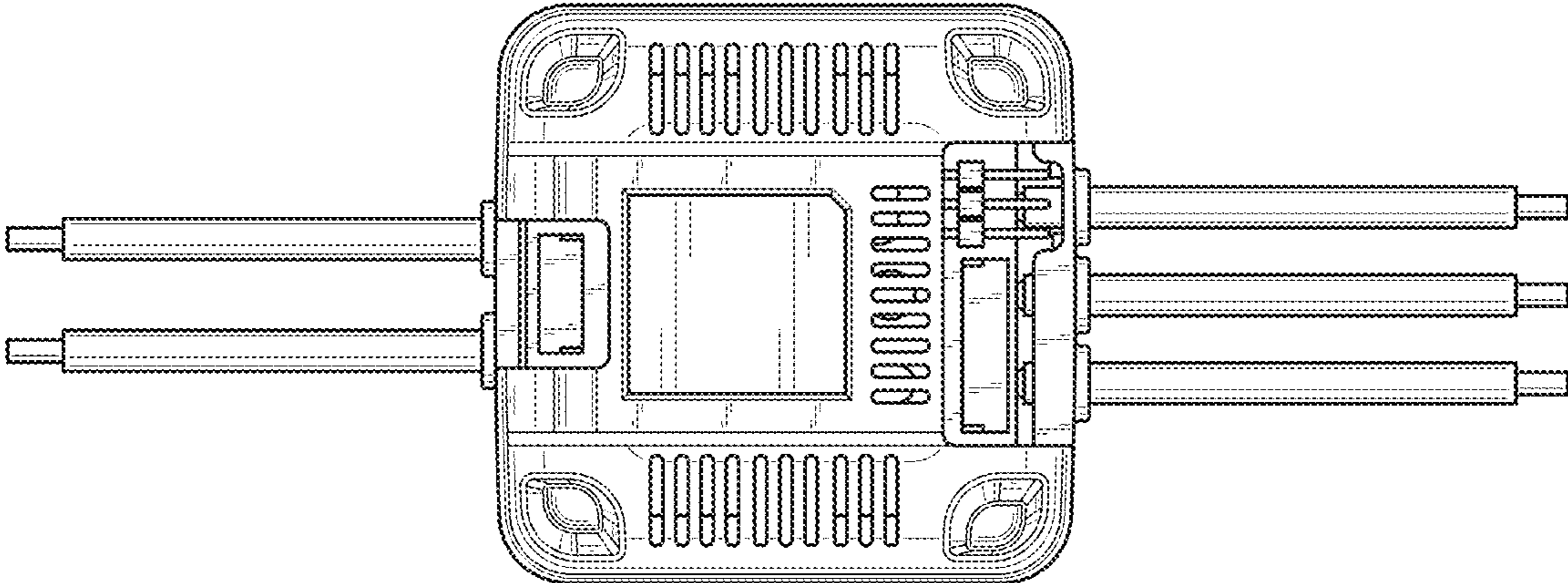


FIG. 4

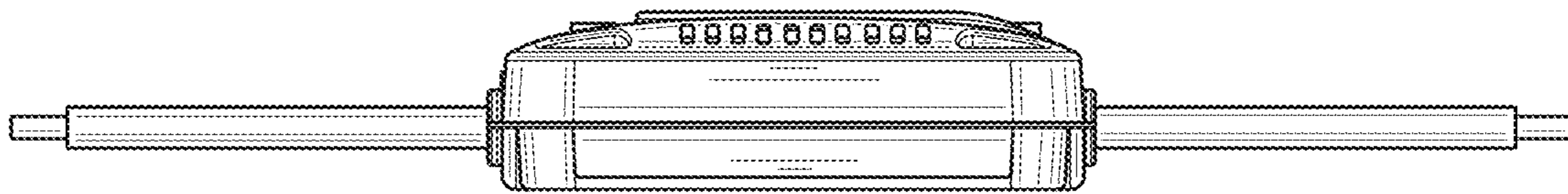


FIG. 5

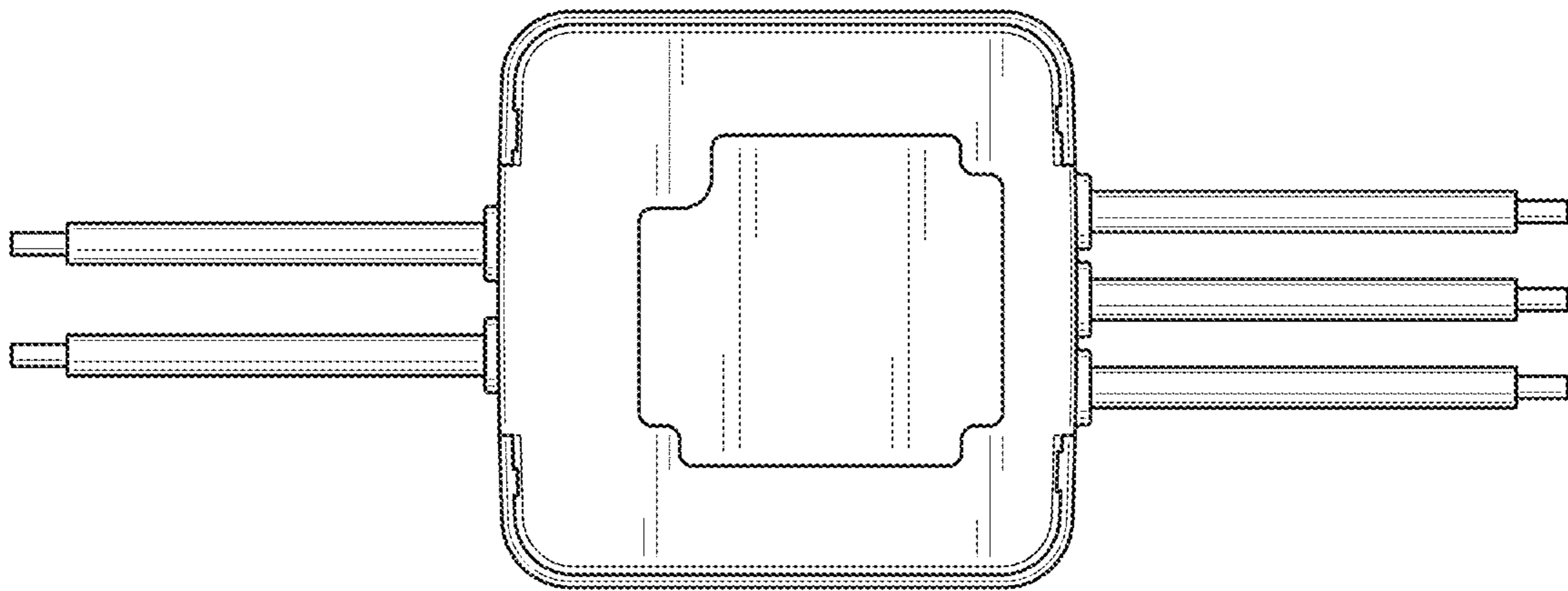


FIG. 6

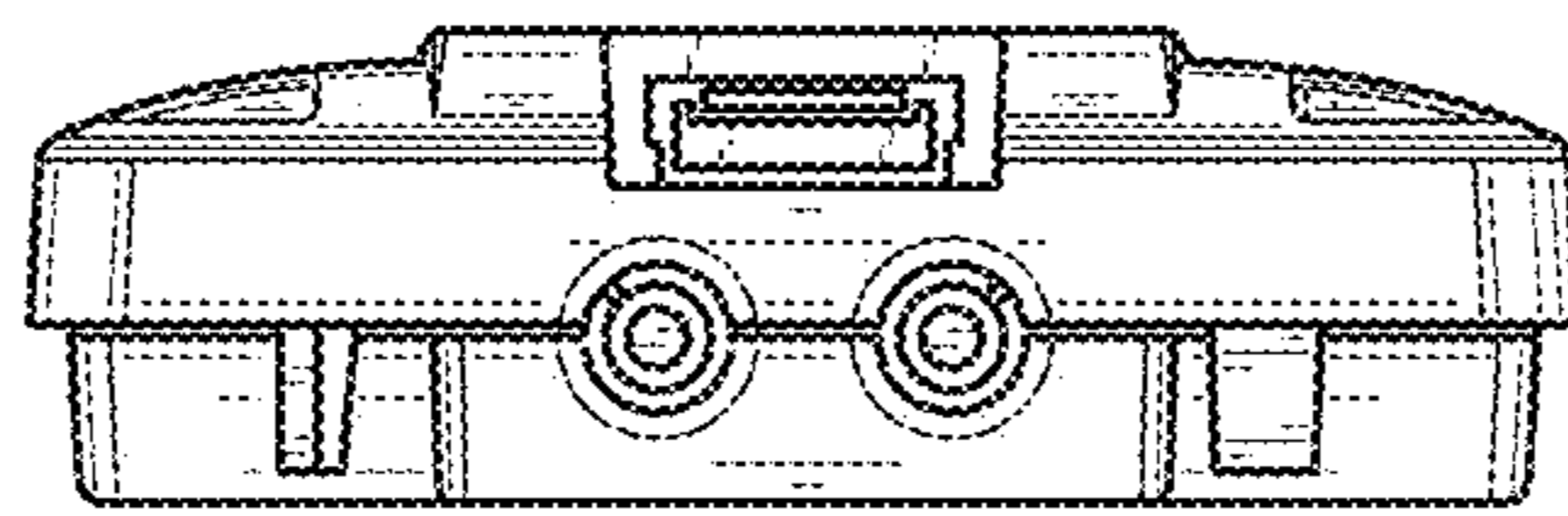


FIG. 7

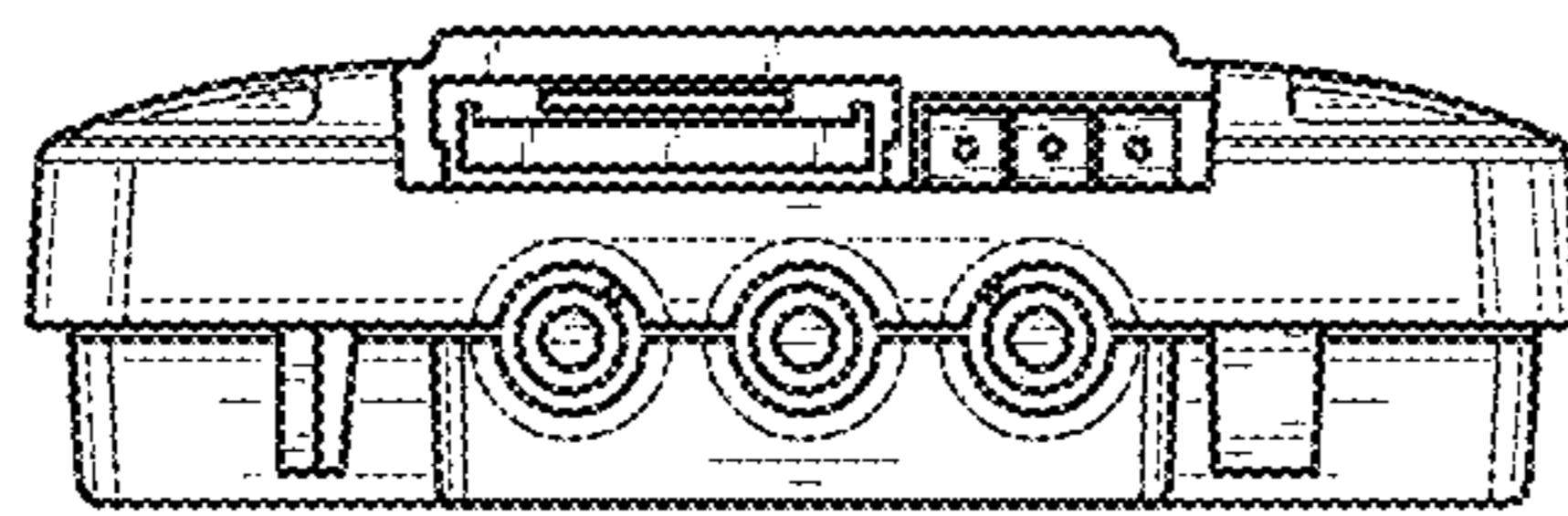


FIG. 8