



US00D934185S

(12) **United States Design Patent** (10) **Patent No.:** **US D934,185 S**  
**Oge** (45) **Date of Patent:** **\*\* Oct. 26, 2021**

(54) **SWITCH**  
(71) Applicant: **THALES DMS FRANCE SAS,**  
Elancourt (FR)  
(72) Inventor: **Sébastien Oge,** Nouvoitou (FR)  
(\*\*) Term: **15 Years**  
(21) Appl. No.: **35/510,049**  
(22) Filed: **Jul. 27, 2020**  
(80) **Hague Agreement Data**  
Int. Filing Date: **Jul. 27, 2020**  
Int. Reg. No.: **DM/209663**  
Int. Reg. Date: **Jul. 27, 2020**  
Int. Reg. Pub. Date: **Aug. 14, 2020**

D897,966 S \* 10/2020 Personeni ..... D13/160  
D903,642 S \* 12/2020 Moon ..... D14/242  
D904,362 S \* 12/2020 Menendez ..... D14/240  
D904,906 S \* 12/2020 Lindgren ..... D10/49  
D905,636 S \* 12/2020 Daneels ..... D13/110  
D906,980 S \* 1/2021 Metzger ..... D13/147  
D910,563 S \* 2/2021 Wu ..... D13/123  
D914,595 S \* 3/2021 Rooyakkers ..... D13/110  
D918,844 S \* 5/2021 Wang ..... D13/152  
D918,882 S \* 5/2021 Andersson ..... D14/240  
D919,608 S \* 5/2021 Schubert ..... H04L 12/00  
D14/240  
D920,267 S \* 5/2021 Choubey ..... D13/184  
D924,816 S \* 7/2021 Yu ..... D13/158  
D924,817 S \* 7/2021 Sakurai ..... D13/159  
D928,100 S \* 8/2021 Obata ..... D13/147  
D928,723 S \* 8/2021 Weinerman ..... D13/162  
D928,758 S \* 8/2021 Schubert ..... H04L 12/00  
D14/240

\* cited by examiner

*Primary Examiner* — Rhea Shields

(30) **Foreign Application Priority Data**

Mar. 11, 2020 (EM) ..... 007744891-0001

(51) **LOC (13) Cl.** ..... **13-03**

(52) **U.S. Cl.**  
USPC ..... **D13/158**

(58) **Field of Classification Search**  
USPC ..... D13/158, 159, 152, 110, 147, 184, 123,  
D13/162, 160, 182; D14/240, 242;  
D10/49  
CPC ..... H04L 12/00; H02B 1/42  
See application file for complete search history.

(56) **References Cited**

**U.S. PATENT DOCUMENTS**

3,437,881 A \* 4/1969 Paganelli ..... H02B 1/42  
361/641  
D892,754 S \* 8/2020 Beckedahl ..... D13/182

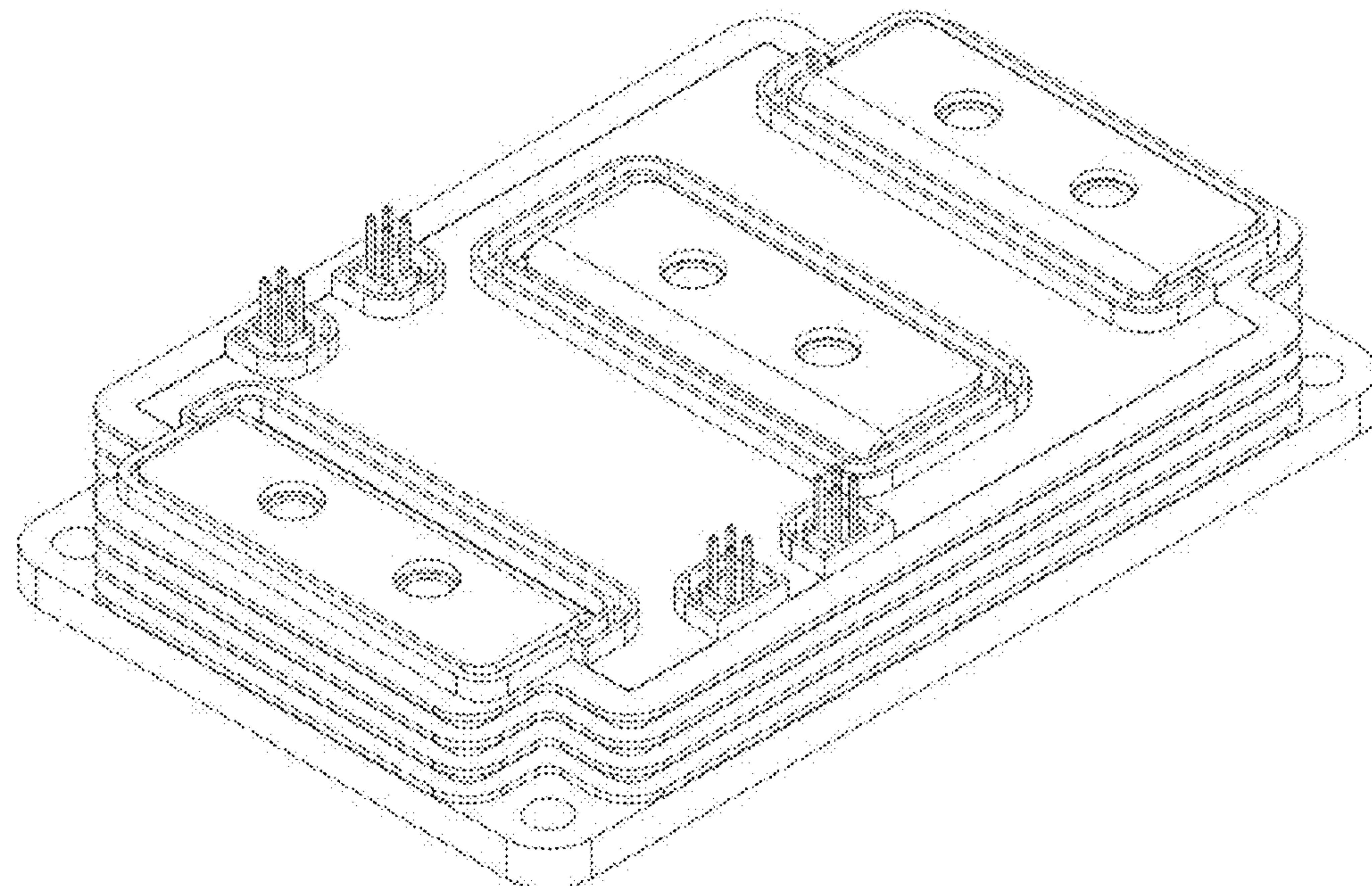
(57) **CLAIM**

The ornamental design for a switch, as shown and described.

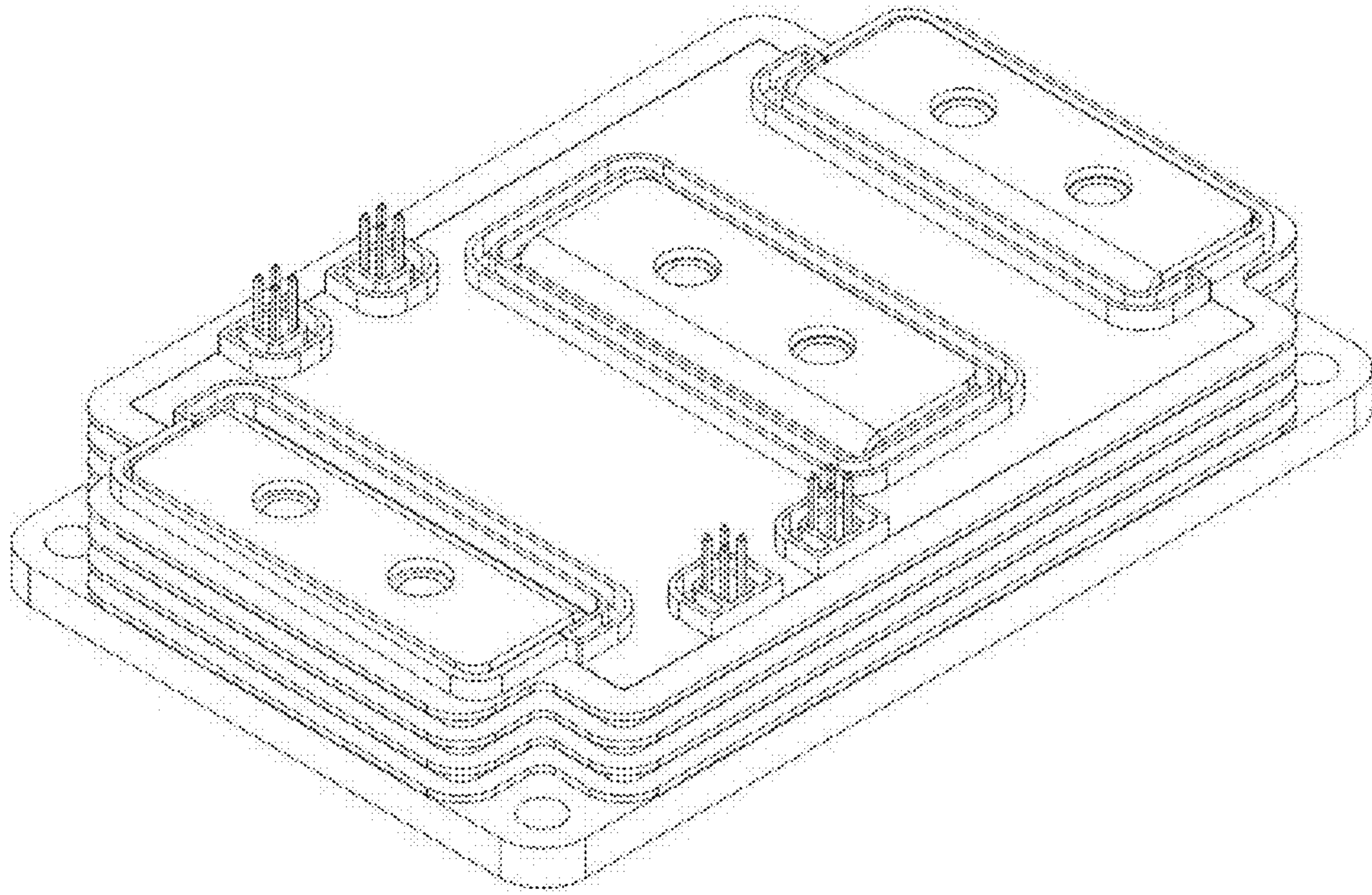
**DESCRIPTION**

- 1. Switch
- 1.1 : Perspective
- 1.2 : Front
- 1.3 : Back
- 1.4 : Top
- 1.5 : Bottom
- 1.6 : Left
- 1.7 : Right

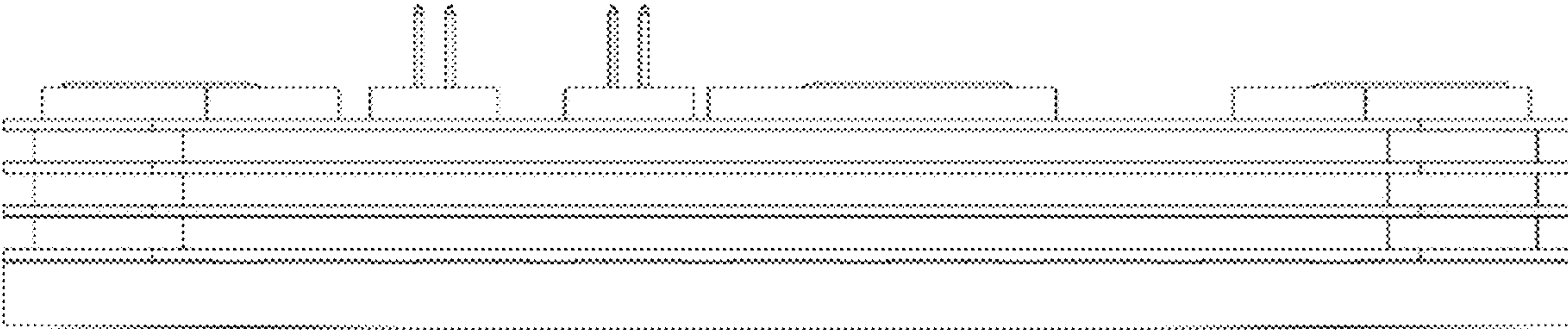
**1 Claim, 7 Drawing Sheets**



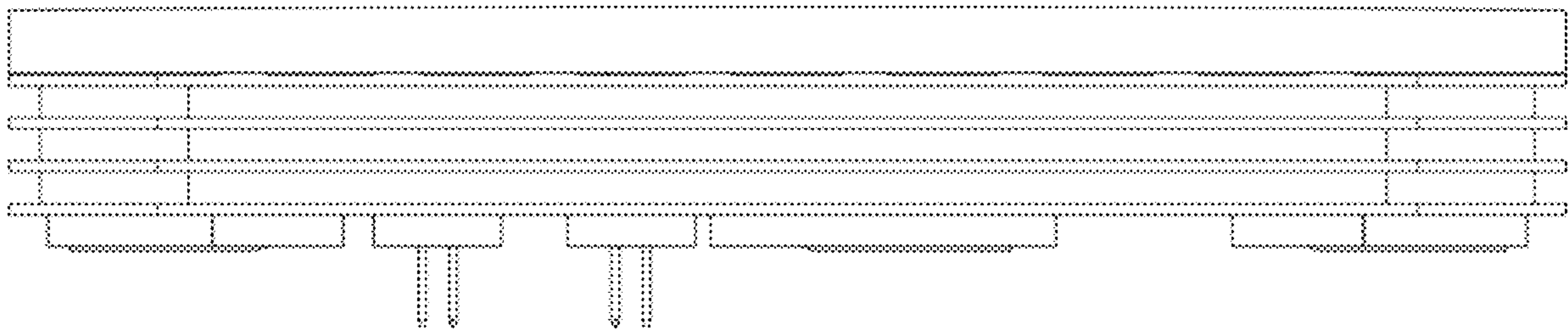
1.1



1.2

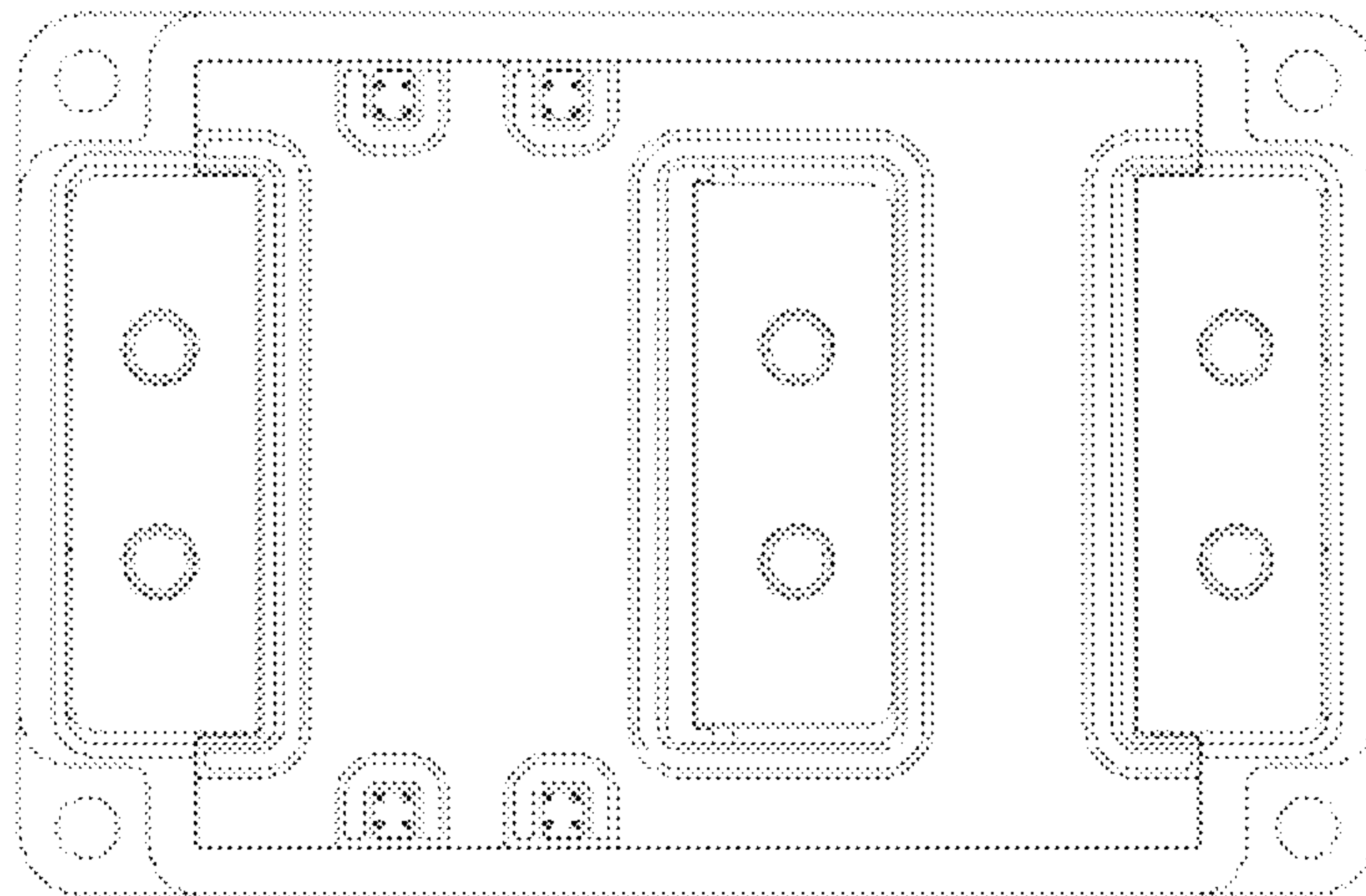


1.3

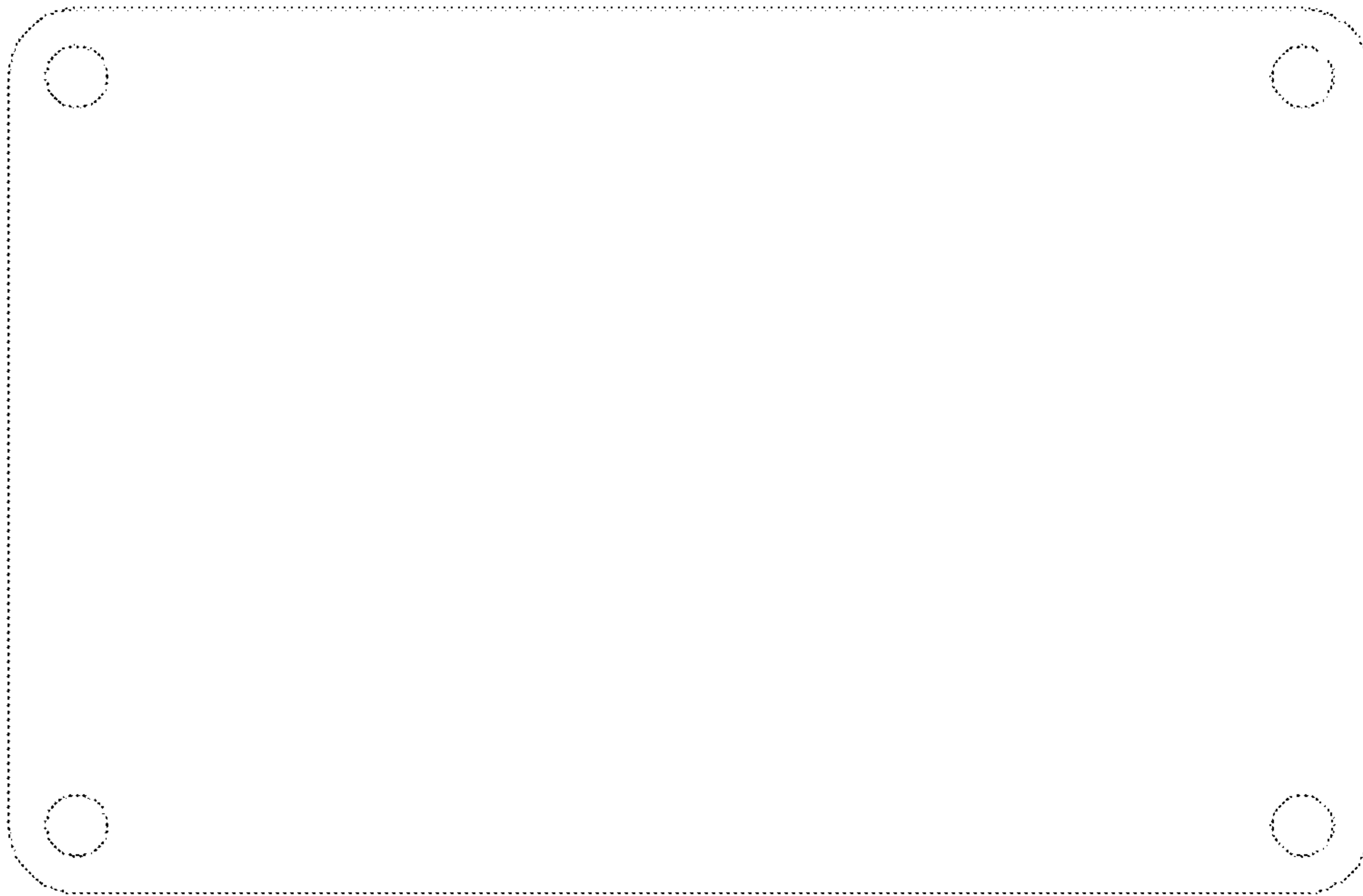




1.4



**1.5**



1.6



1.7

