



US00D934184S

(12) **United States Design Patent**  
**Gamble**

(10) **Patent No.:** **US D934,184 S**

(45) **Date of Patent:** **\*\* \*Oct. 26, 2021**

(54) **FLOOR CABLE COVER FOR POWER AND COMMUNICATIONS CABLES**

(71) Applicant: **Thomas Gamble**, Duluth, GA (US)

(72) Inventor: **Thomas Gamble**, Duluth, GA (US)

(\* ) Notice: This patent is subject to a terminal disclaimer.

(\*\*) Term: **15 Years**

(21) Appl. No.: **29/630,972**

(22) Filed: **Dec. 26, 2017**

**Related U.S. Application Data**

(63) Continuation-in-part of application No. 15/854,160, filed on Dec. 26, 2017, now Pat. No. 10,153,627.

(51) **LOC (13) Cl.** ..... **13-03**

(52) **U.S. Cl.**  
USPC ..... **D13/155**

(58) **Field of Classification Search**  
USPC ..... D8/356; D13/155, 156, 120–121, 123, D13/133, 154, 158, 160, 173, 178, 184, D13/199; 439/723, 752, 135, 149, 367  
CPC ... H02G 3/30; H02G 3/32; H02G 3/34; H01R 13/6392; H01R 13/424; H01R 13/426; H01R 13/4362; H01R 13/5213  
See application file for complete search history.

(56) **References Cited**

**U.S. PATENT DOCUMENTS**

- 2,391,409 A \* 12/1945 Geist ..... H01R 25/165  
138/147
- 3,357,370 A \* 12/1967 Walkey ..... A62C 33/06  
104/275
- 5,095,822 A \* 3/1992 Martin ..... H02G 9/04  
104/275

- 5,399,813 A \* 3/1995 McNeill ..... H01B 7/0823  
174/113 AS
- 5,780,773 A \* 7/1998 Wakamatsu ..... H02G 9/04  
174/72 C
- 6,202,565 B1 \* 3/2001 Henry ..... A62C 33/06  
104/275
- 6,287,047 B1 \* 9/2001 Dufresne ..... E01F 9/529  
138/106
- 7,810,197 B1 \* 10/2010 Anthony ..... F16L 3/2235  
14/69.5
- 7,829,797 B2 \* 11/2010 VanderVelde ..... H02G 3/128  
174/481
- 8,001,643 B1 \* 8/2011 James ..... F16L 3/23  
14/69.5
- D673,658 S \* 1/2013 Dufresne ..... D23/266
- D719,519 S \* 12/2014 Mathena ..... D13/155
- 9,236,719 B1 \* 1/2016 Baldwin ..... H02G 3/0437
- D765,604 S \* 9/2016 Baldwin ..... D13/155
- D805,038 S \* 12/2017 Baldwin ..... D13/155

\* cited by examiner

*Primary Examiner* — Jennifer O King

(74) *Attorney, Agent, or Firm* — Denton Intellectual Property Law Firm, LLC

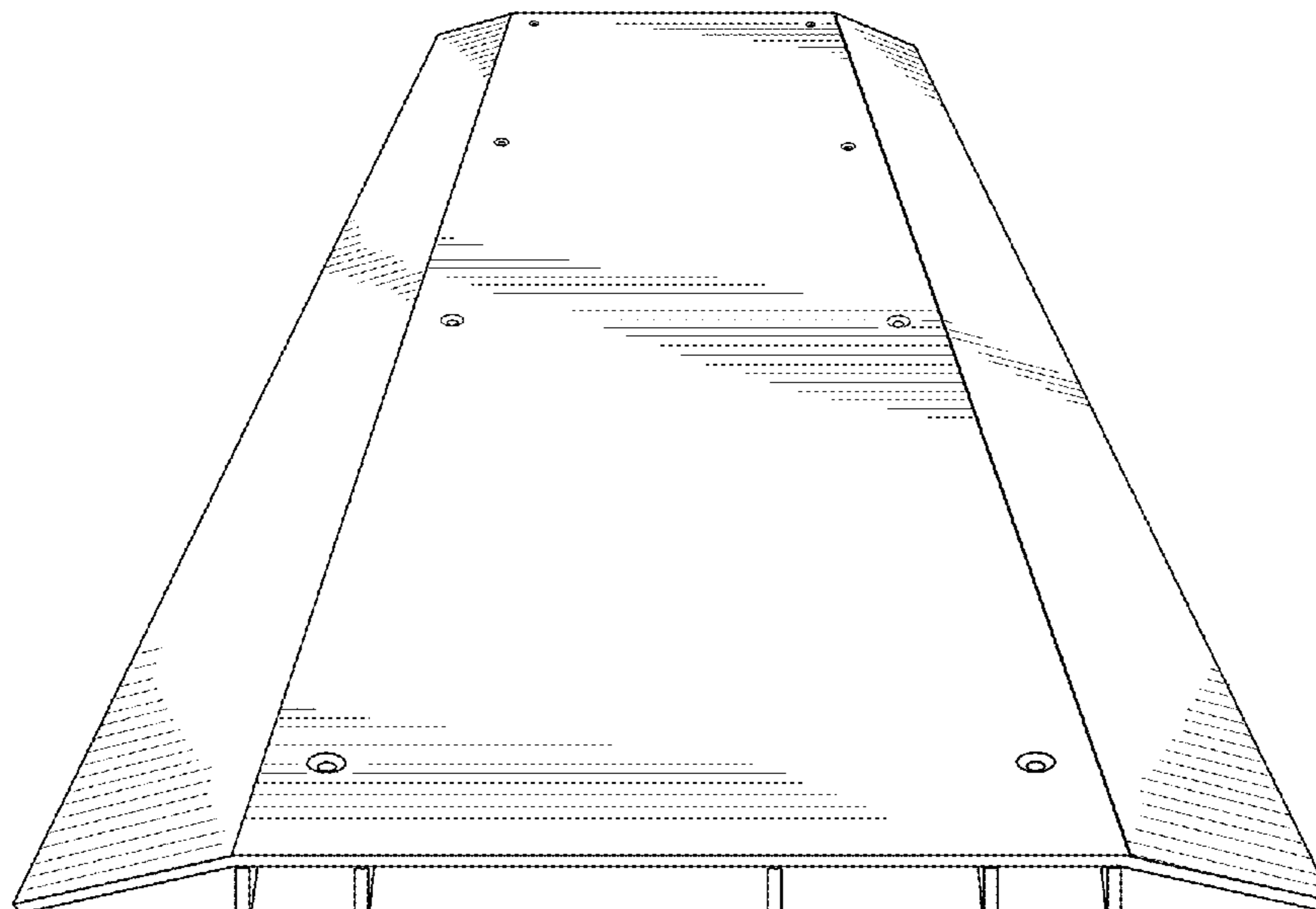
(57) **CLAIM**

The ornamental design for a floor cable cover for power and communications cables, as shown and described.

**DESCRIPTION**

FIG. 1 is a top plan view thereof.  
 FIG. 2 is a bottom plan view thereof.  
 FIG. 3 is a left side elevational view thereof, the right side being a mirror image thereof.  
 FIG. 4 is a front side elevational view thereof, the back side being a mirror image thereof.  
 FIG. 5 is a back perspective view of the top thereof.  
 FIG. 6 is a back perspective view of the top of a second embodiment thereof; and,  
 FIG. 7 is a back perspective view of the bottom thereof.

**1 Claim, 5 Drawing Sheets**



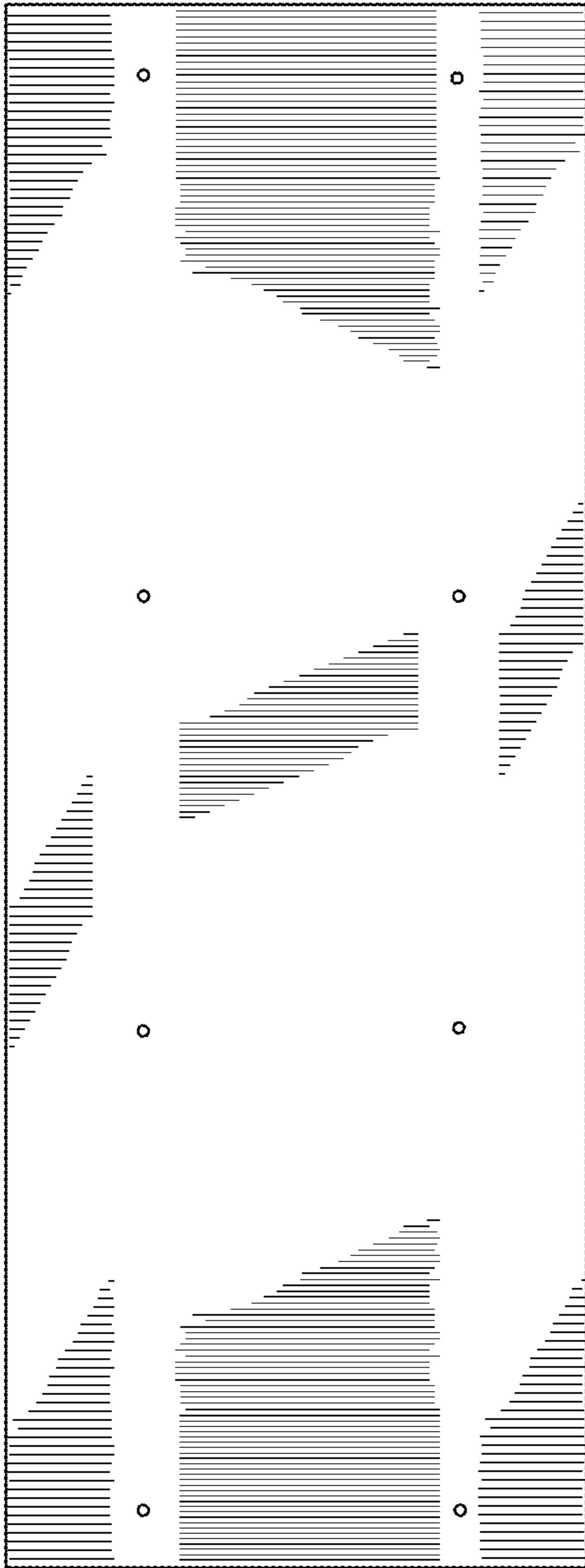


Fig. 1

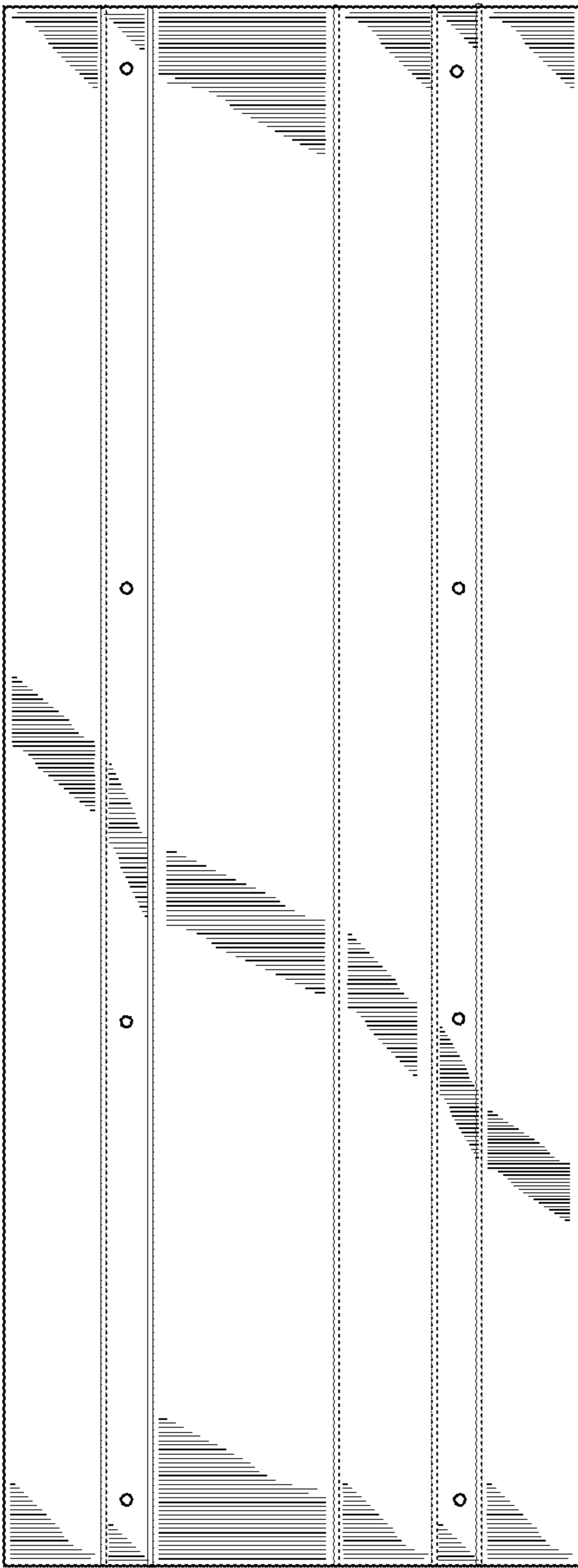


Fig. 2



Fig. 3

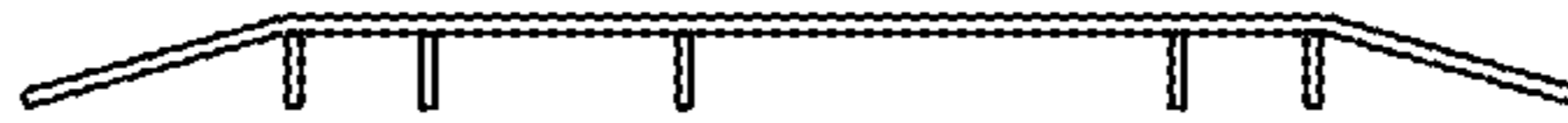


Fig. 4

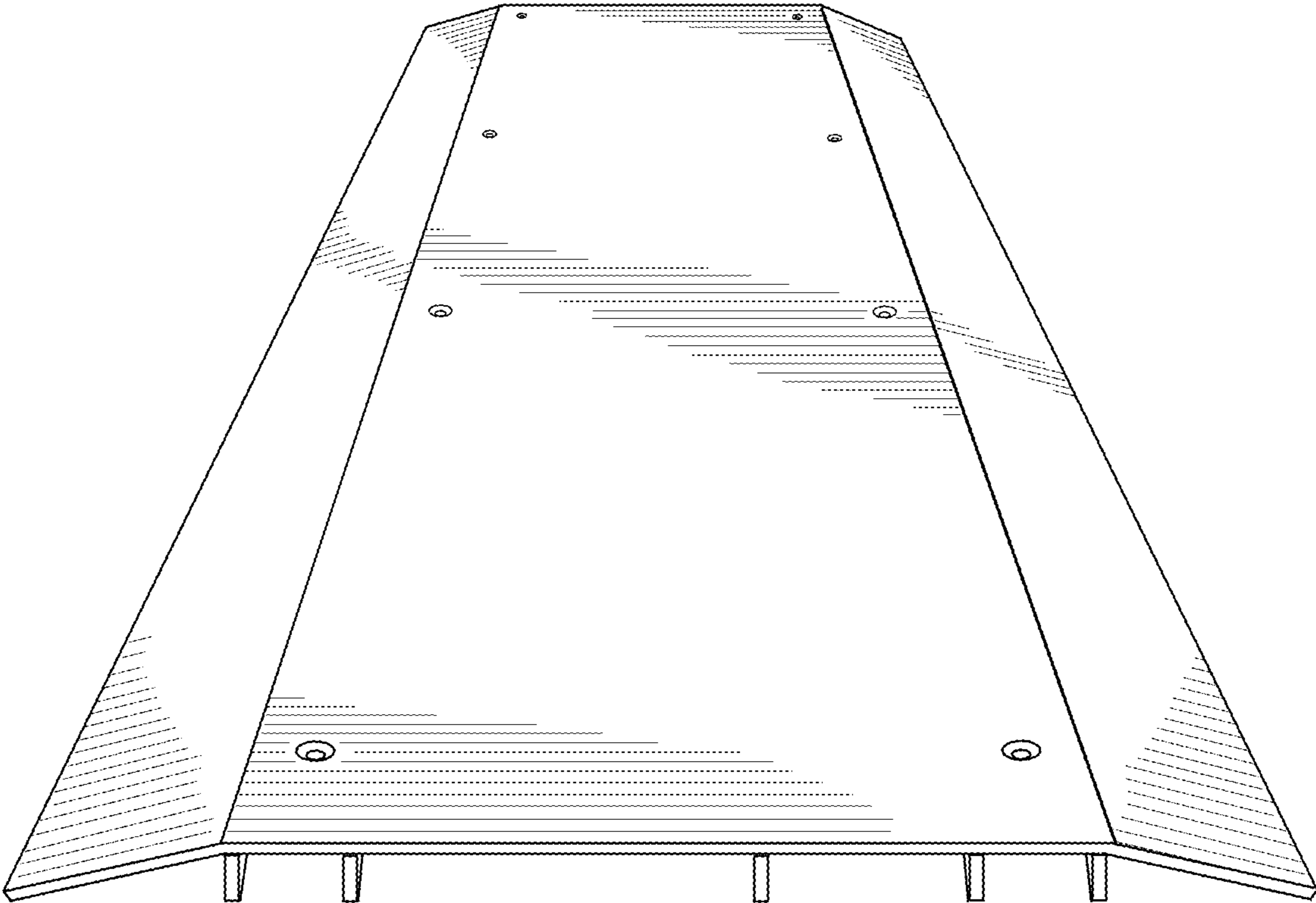


Fig. 5

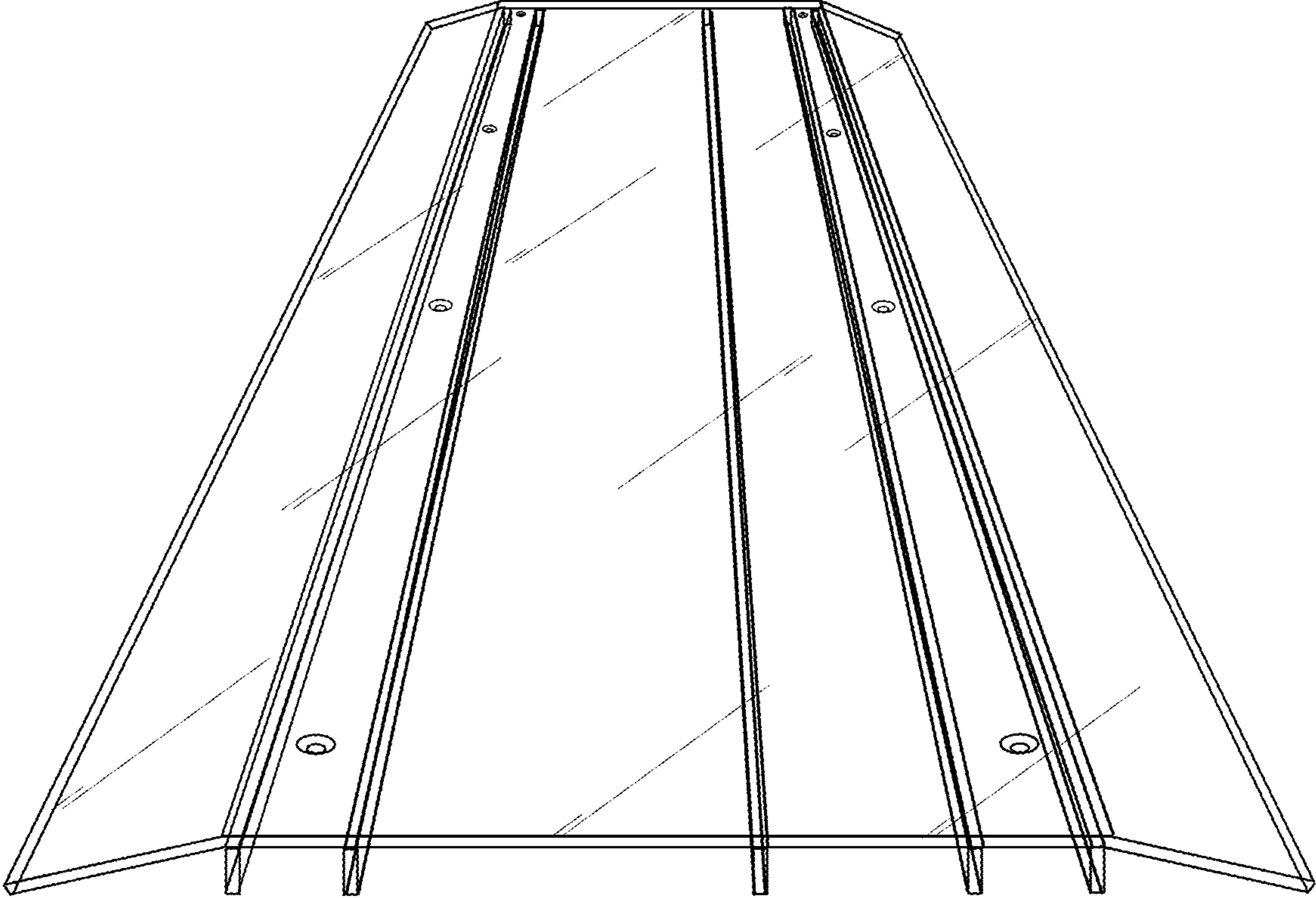


Fig. 6

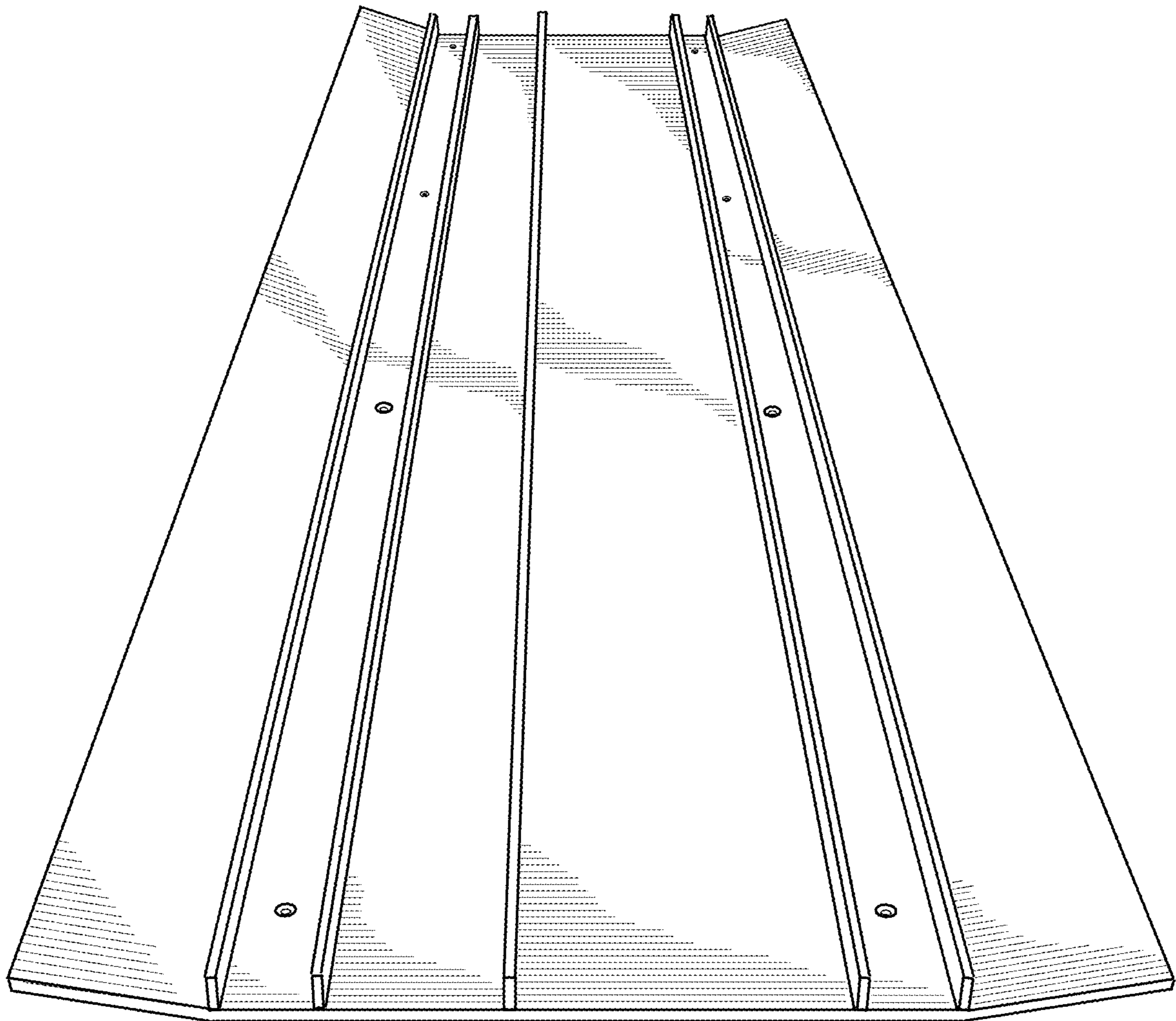


Fig. 7