



US00D934182S

(12) **United States Design Patent** (10) **Patent No.:** **US D934,182 S**
Ding (45) **Date of Patent:** **** Oct. 26, 2021**

(54) **RETRACTABLE CABLE DEVICE**
(71) Applicant: **Guobin Ding**, Qingtongxia (CN)
(72) Inventor: **Guobin Ding**, Qingtongxia (CN)
(**) Term: **15 Years**
(21) Appl. No.: **29/758,043**
(22) Filed: **Nov. 11, 2020**
(51) **LOC (13) Cl.** **13-03**
(52) **U.S. Cl.**
USPC **D13/153**
(58) **Field of Classification Search**
USPC ... D13/153, 156, 155, 147, 137.4, 108, 120;
D8/356, 358; D10/103; D14/218, 217,
D14/433
CPC B65H 75/38; B65H 75/40; B65H 75/44;
H02G 11/02
See application file for complete search history.

(56) **References Cited**

U.S. PATENT DOCUMENTS

3,056,863 A * 10/1962 Johnson H02G 11/02
191/12.4
4,150,798 A * 4/1979 Aragon H02G 11/02
191/12.2 R
4,901,938 A * 2/1990 Cantley B65H 75/44
242/378.1
D352,928 S * 11/1994 Ford D13/120
6,059,081 A * 5/2000 Patterson H02G 11/02
191/12.2 A
6,170,775 B1 * 1/2001 Kovacik B65H 75/40
242/379.2
D455,094 S * 4/2002 Schneider D10/103
D456,692 S * 5/2002 Epstein D8/356
D496,253 S * 9/2004 Kovacik D8/358
6,889,701 B2 * 5/2005 Kovacik B65H 75/38
137/15.18

D521,941 S * 5/2006 Phung D13/156
D604,244 S * 11/2009 Kovacik D13/137.4
D631,445 S 1/2011 Dittmer
D709,504 S * 7/2014 Breines D14/433
9,190,824 B2 * 11/2015 Knudsen H02G 11/02
D755,726 S * 5/2016 Michas D13/153
D755,790 S * 5/2016 Salvatori D14/433
D768,573 S * 10/2016 Tien D13/147
D795,820 S 8/2017 Wengreen
D798,807 S * 10/2017 Shi D13/108
D840,947 S * 2/2019 Pierce D13/155
D881,135 S 4/2020 Zhang et al.
D886,067 S 6/2020 Zhang et al.
D896,785 S * 9/2020 Li D14/217
D907,007 S * 1/2021 Chen D14/218

* cited by examiner

Primary Examiner — Rhea Shields
(74) *Attorney, Agent, or Firm* — Che-Yang Chen; Law
Office of Michael Chen

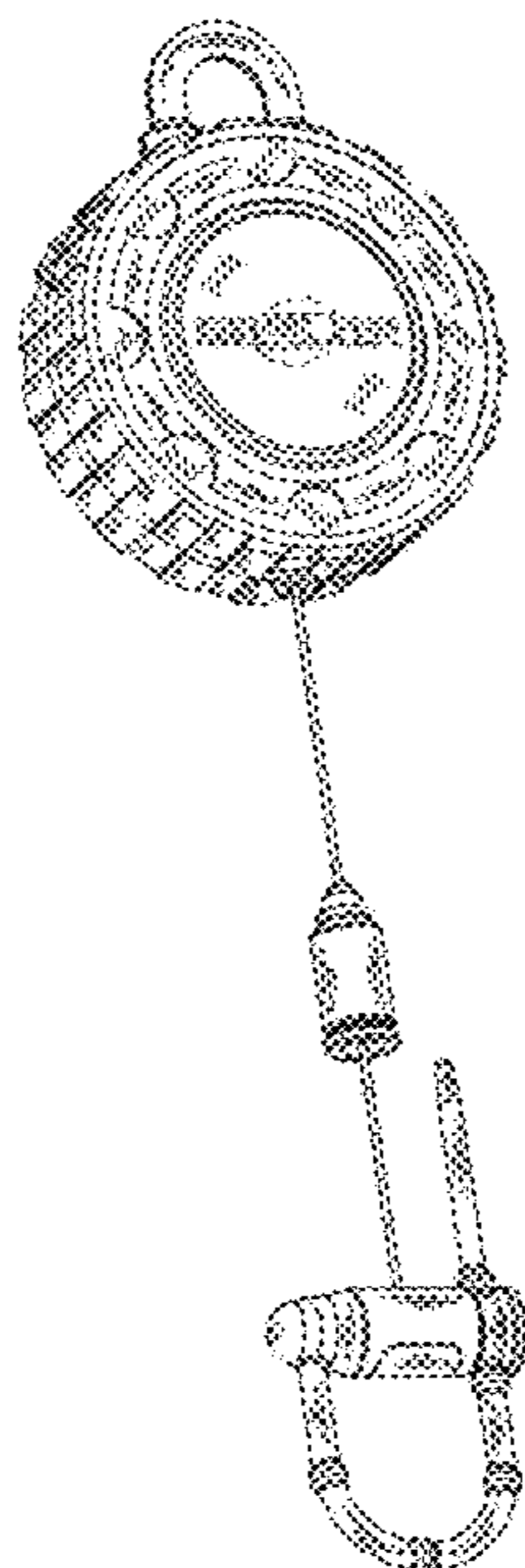
(57) **CLAIM**

The ornamental design for a retractable cable device, as shown and described.

DESCRIPTION

FIG. 1 is a perspective view of a retractable cable device showing my new design;
FIG. 2 is a front elevational view thereof;
FIG. 3 is a rear elevational view thereof;
FIG. 4 is a left side elevational view thereof;
FIG. 5 is a right side elevational view thereof;
FIG. 6 is a top plan view thereof; and,
FIG. 7 is a bottom plan view thereof.
In the drawings, the broken lines are for the purpose of illustrating portions of the retractable cable device that forms no part of the claimed design.

1 Claim, 7 Drawing Sheets



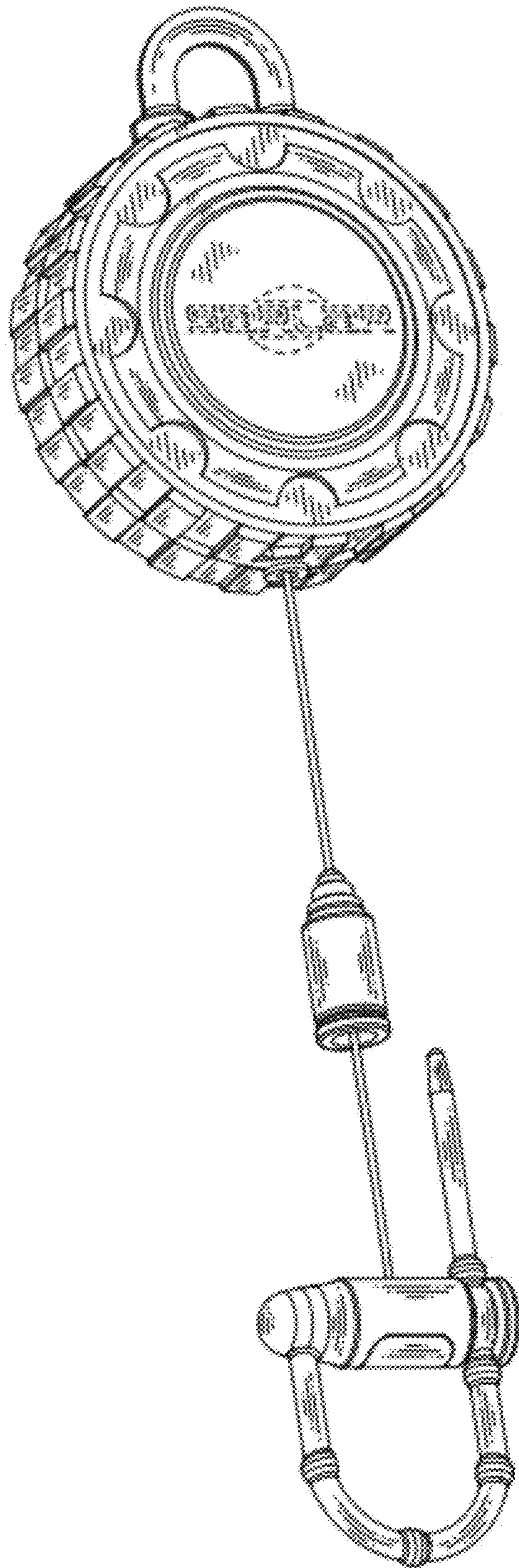


FIG. 1

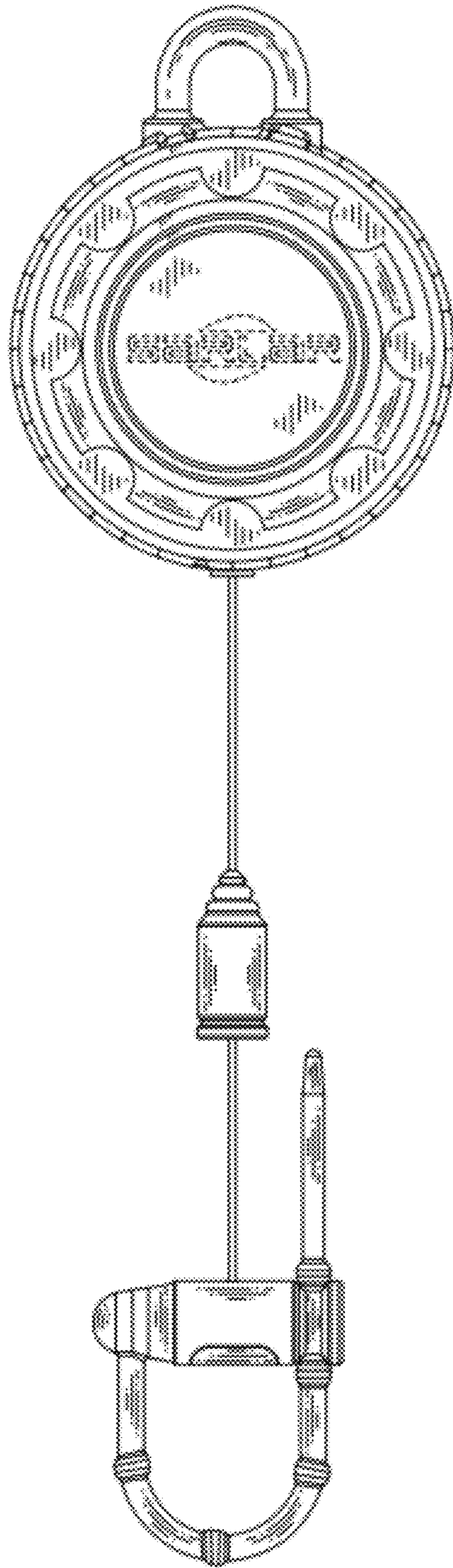


FIG. 2

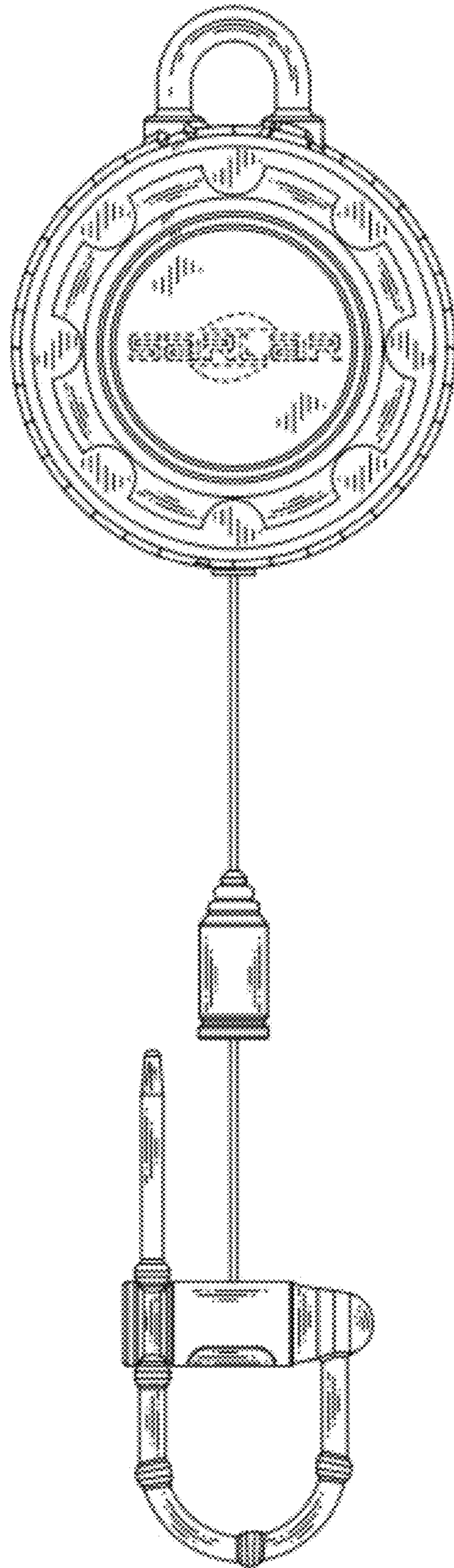


FIG. 3

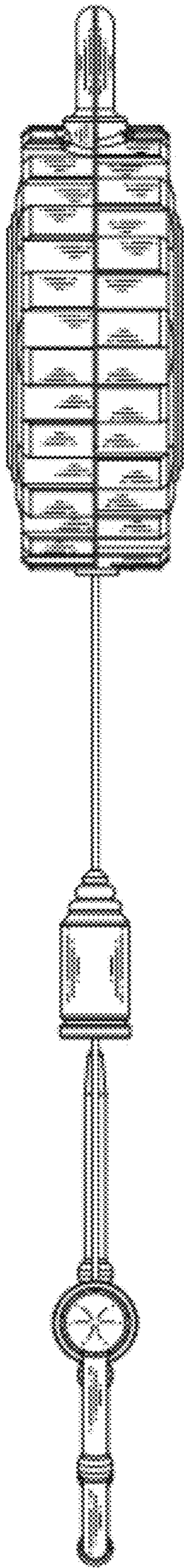


FIG. 4

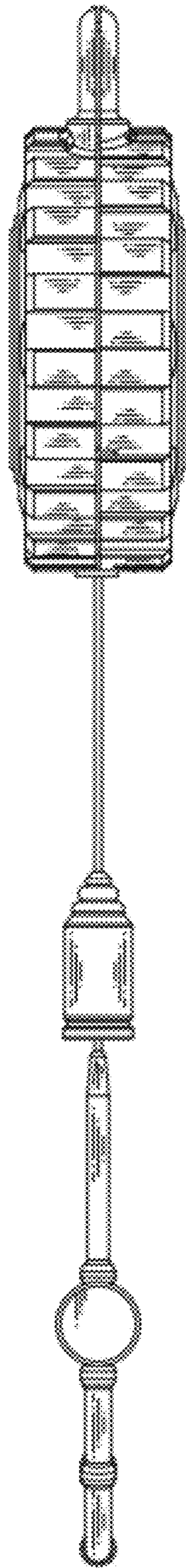


FIG. 5

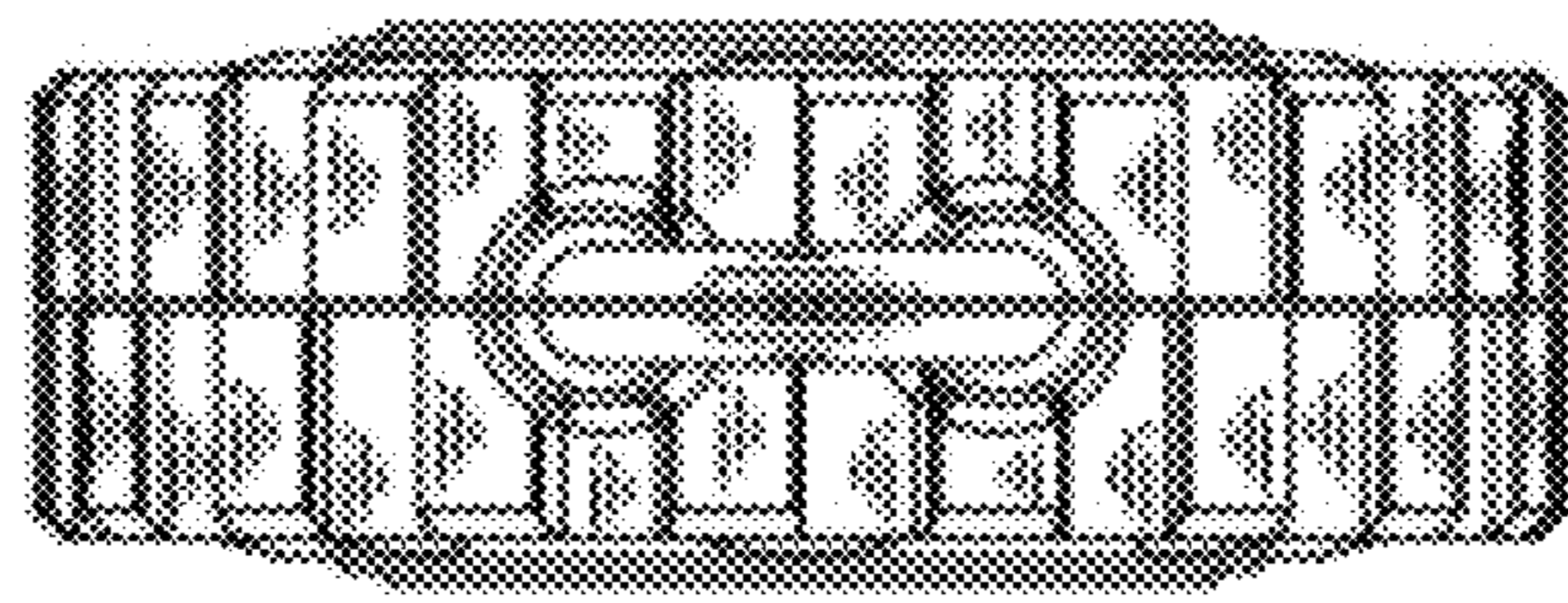


FIG. 6

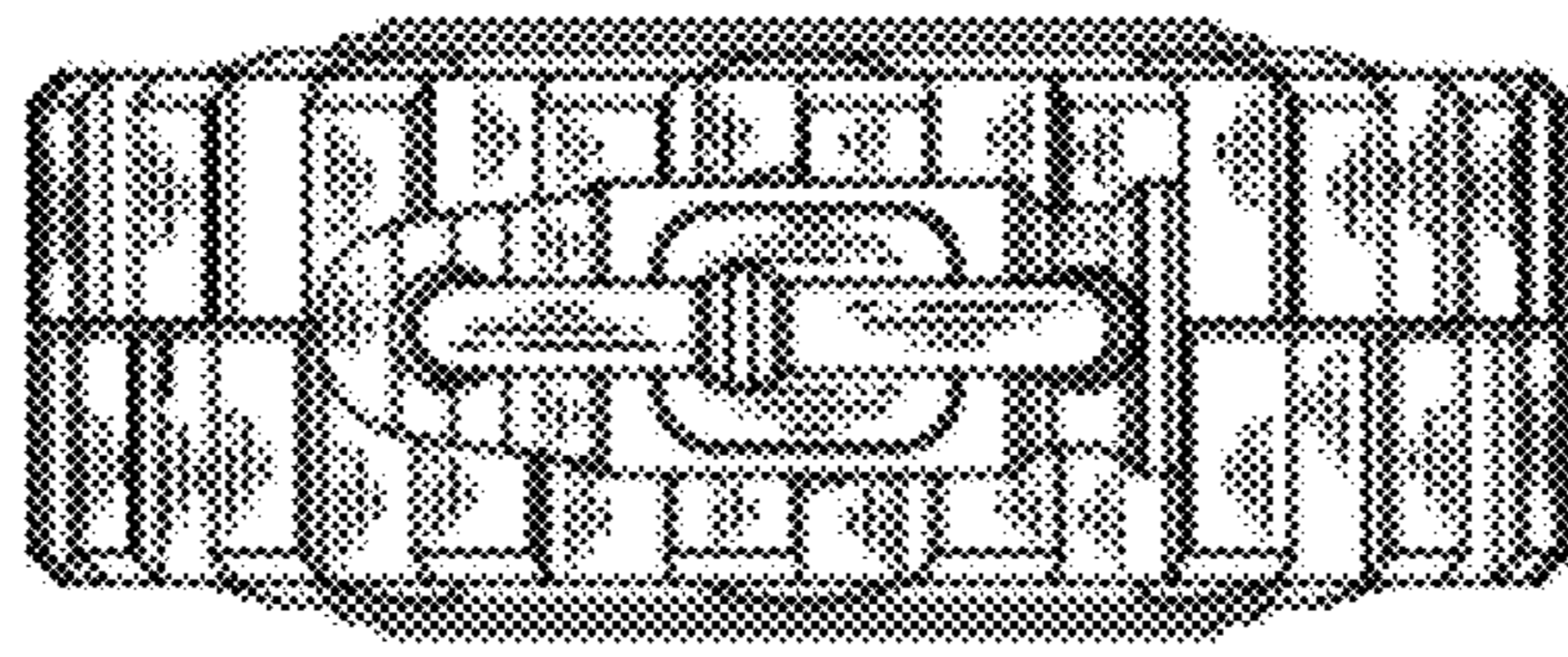


FIG. 7