



US00D934181S

(12) **United States Design Patent**
Sato

(10) **Patent No.:** **US D934,181 S**
(45) **Date of Patent:** **** Oct. 26, 2021**

(54) **CONNECTOR**

(71) Applicant: **Japan Aviation Electronics Industry, Limited**, Tokyo (JP)

(72) Inventor: **Yukiko Sato**, Tokyo (JP)

(73) Assignee: **JAPAN AVIATION ELECTRONICS INDUSTRY, LIMITED**, Tokyo (JP)

(**) Term: **15 Years**

(21) Appl. No.: **29/730,197**

(22) Filed: **Apr. 2, 2020**

(30) **Foreign Application Priority Data**

Oct. 7, 2019 (JP) 2019-022409

(51) **LOC (13) Cl.** **13-03**

(52) **U.S. Cl.**
USPC **D13/147**

(58) **Field of Classification Search**
USPC D13/120, 121, 133, 146, 147, 153, 199,
D13/154, 156, 184; D14/432, 433, 434,
D14/435.1, 438

CPC .. H01R 13/506; H01R 13/516; H01R 13/518;
H01R 13/58; H01R 13/627; H01R
13/6315; H01R 13/00; H01R 13/24;
H01R 13/26; H01R 13/28; H01R 13/508;
H01R 13/523; H01R 13/585; H01R
13/6271; H01R 13/6275; H01R 13/635;
H01R 13/639; H01R 13/64; H01R
13/642; H01R 13/6453; H01R 13/6474;
H01R 13/6581; H01R 13/6582; H01R
13/6586; H01R 13/6587; H01R 13/6588;
H01R 13/659; H01R 13/6591; H01R
13/6594; H01R 13/6595; H01R 13/6597;
H01R 13/66; H01R 13/6658; H01R
24/00; H01R 24/60; H01R 24/62; H01R
24/64; H01R 12/51; H01R 12/52; H01R
12/55; H01R 12/57; H01R 12/58; H01R
12/592; H01R 12/61; H01R 12/616;
H01R 12/63; H01R 12/70; H01R

12/7005; H01R 12/7076; H01R 12/71;
H01R 12/714; H01R 12/716; H01R
12/718; H01R 12/72; H01R 12/73; H01R
(Continued)

(56) **References Cited**

U.S. PATENT DOCUMENTS

D522,970 S * 6/2006 Toyota D13/147
D569,345 S * 5/2008 Ikegami D13/147
D583,758 S * 12/2008 Cheng D13/133

(Continued)

Primary Examiner — Rosemary K Tarcza

Assistant Examiner — Seth David Kumpf

(74) *Attorney, Agent, or Firm* — Manabu Kanesaka

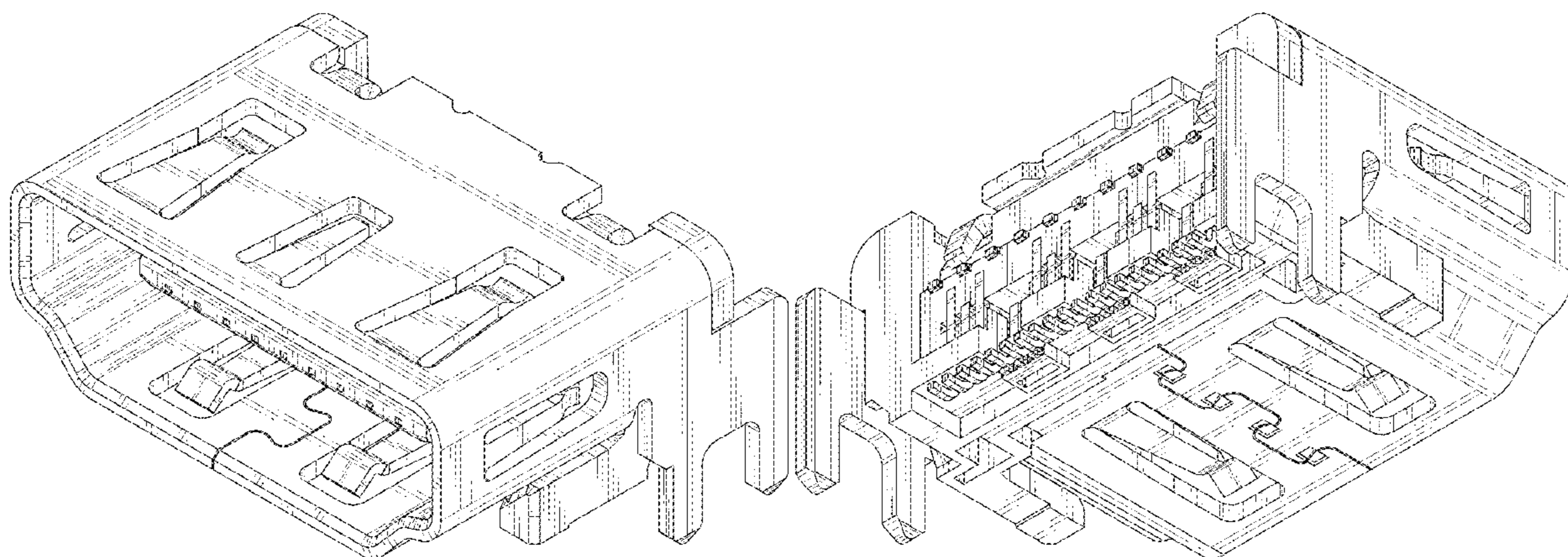
(57) **CLAIM**

The ornamental design for a connector, as shown and described.

DESCRIPTION

FIG. 1 is a front elevational view of a connector showing my new design;
FIG. 2 is a rear elevational view thereof;
FIG. 3 is a right side elevational view thereof;
FIG. 4 is a left side elevational view thereof;
FIG. 5 is a top plan view thereof;
FIG. 6 is a bottom plan view thereof;
FIG. 7 is a perspective view showing a front, top and right side thereof;
FIG. 8 is a perspective view showing a rear, bottom and left side thereof;
FIG. 9 is a perspective view showing a front, right and bottom side thereof; and,
FIG. 10 is a perspective view showing a rear, left and top side thereof.
The broken line showing of the connector is for the purpose of illustrating portions of the article that form no part of the claimed design.

1 Claim, 10 Drawing Sheets



US D934,181 S

Page 2

(58) **Field of Classification Search**
CPC .. 12/737; H01R 12/777; H01R 12/778; H01R
12/79
See application file for complete search history.

(56) **References Cited**

U.S. PATENT DOCUMENTS

D611,424 S * 3/2010 Arai D13/147
D639,245 S * 6/2011 Wada D13/147
D639,247 S * 6/2011 Xie D13/147
D649,940 S * 12/2011 Arai D13/147
8,079,874 B2 * 12/2011 Lee H01R 13/62
439/607.32
D655,679 S * 3/2012 Li D13/147
D682,216 S * 5/2013 Sato D13/147
D708,581 S * 7/2014 Asano D13/147
D710,807 S * 8/2014 Arai D13/147
D748,061 S * 1/2016 Chen D13/147
D754,072 S * 4/2016 Katagiyama D13/133
D769,195 S * 10/2016 Kim H01R 27/02
D13/147

9,515,438 B1 * 12/2016 Chang H01R 13/6474
D819,573 S * 6/2018 Li H01R 24/62
D13/147
D839,198 S * 1/2019 Chadbourne H01R 13/6271
D13/133
D839,202 S * 1/2019 Toba H01R 12/716
D13/147
D839,836 S * 2/2019 Fukuda H01R 13/62
D13/147
2002/0081903 A1 * 6/2002 Yang H01R 12/716
439/607.19
2005/0075010 A1 * 4/2005 Yang H01R 13/6271
439/607.01
2010/0173524 A1 * 7/2010 Zhu H01R 24/62
439/607.01
2016/0149360 A1 * 5/2016 Lin H01R 13/506
439/676
2016/0172802 A1 * 6/2016 Wang H01R 13/6471
439/676
2017/0288356 A1 * 10/2017 Tsai H01R 27/02

* cited by examiner

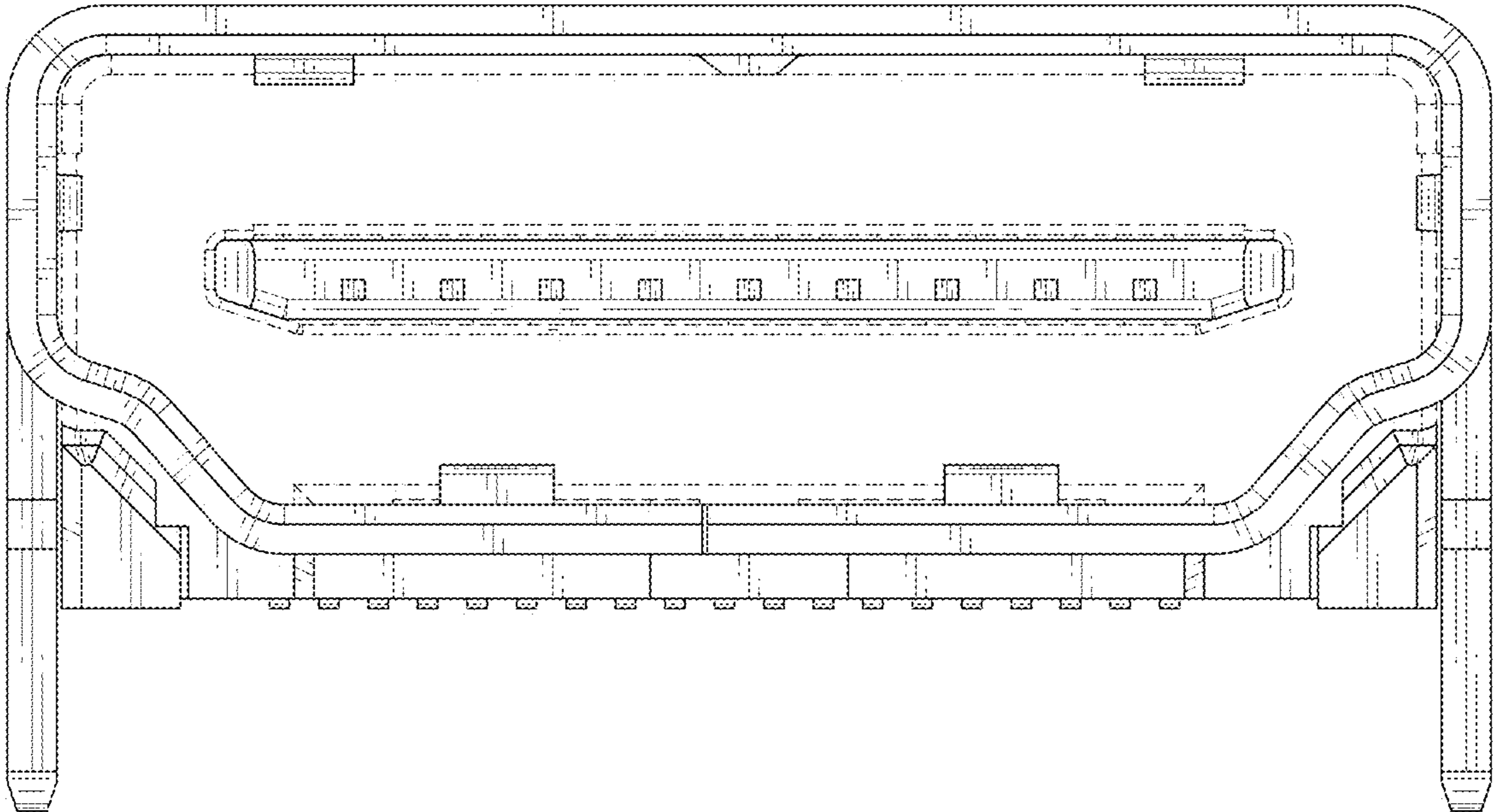


FIG. 1

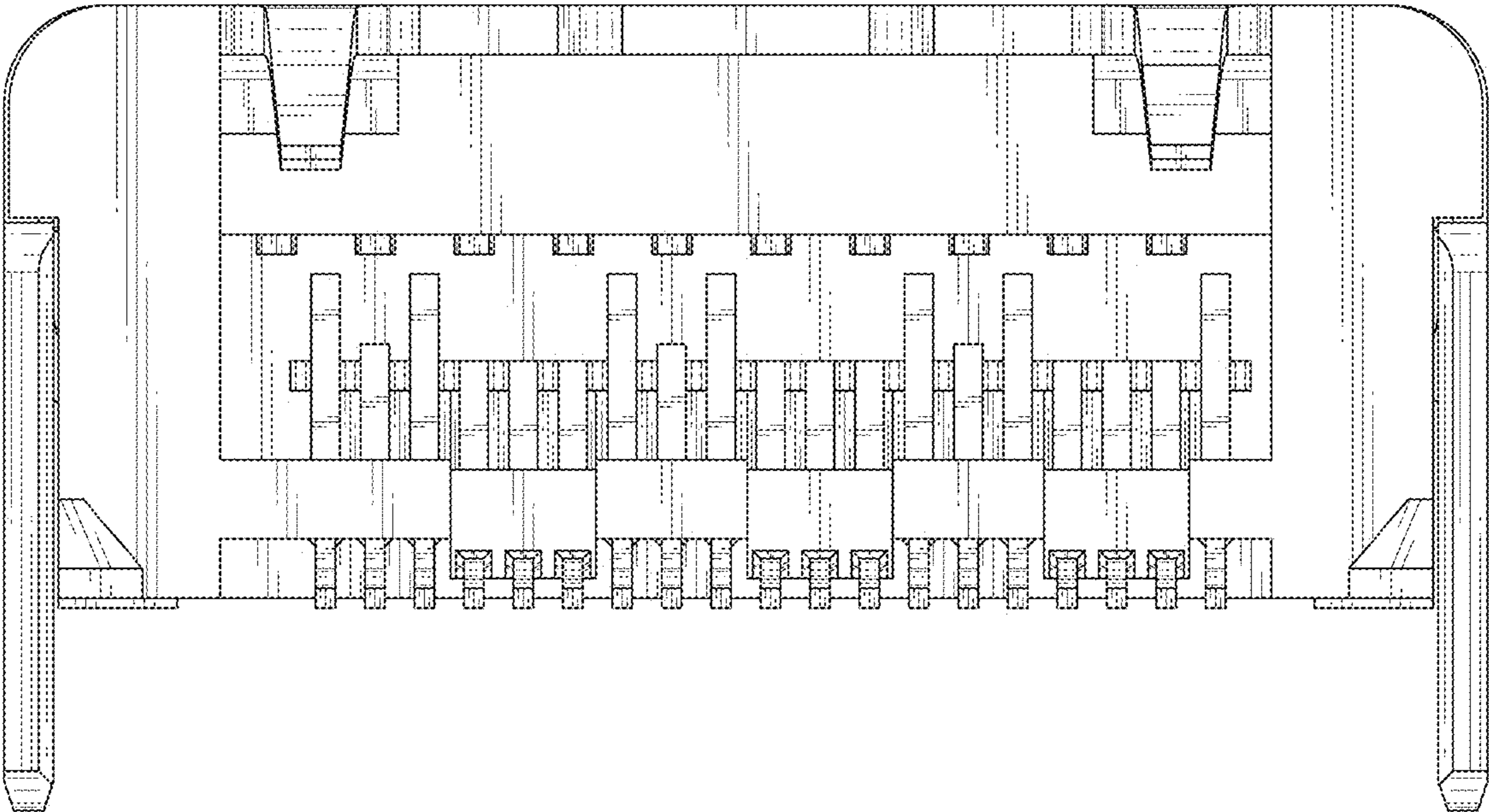


FIG. 2

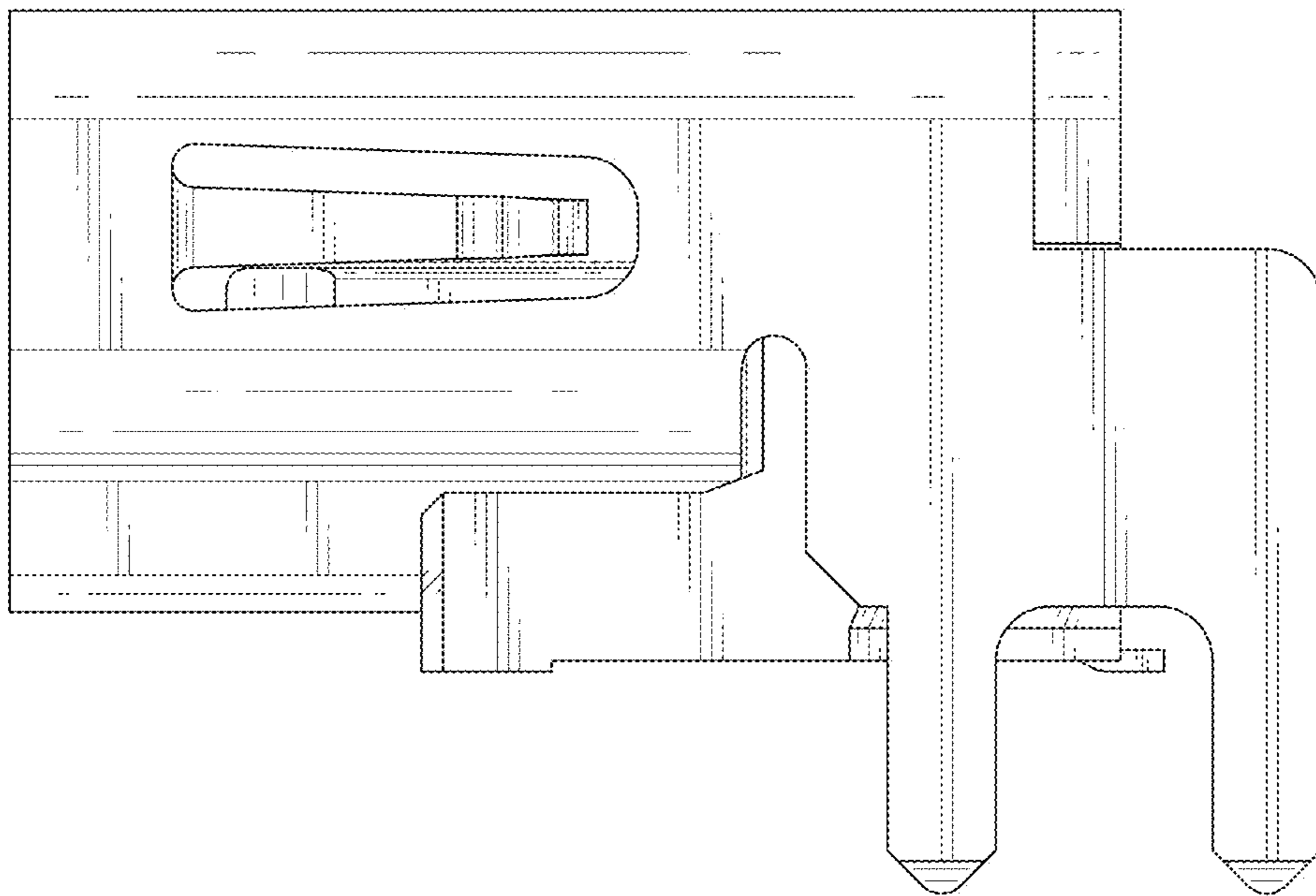


FIG. 3

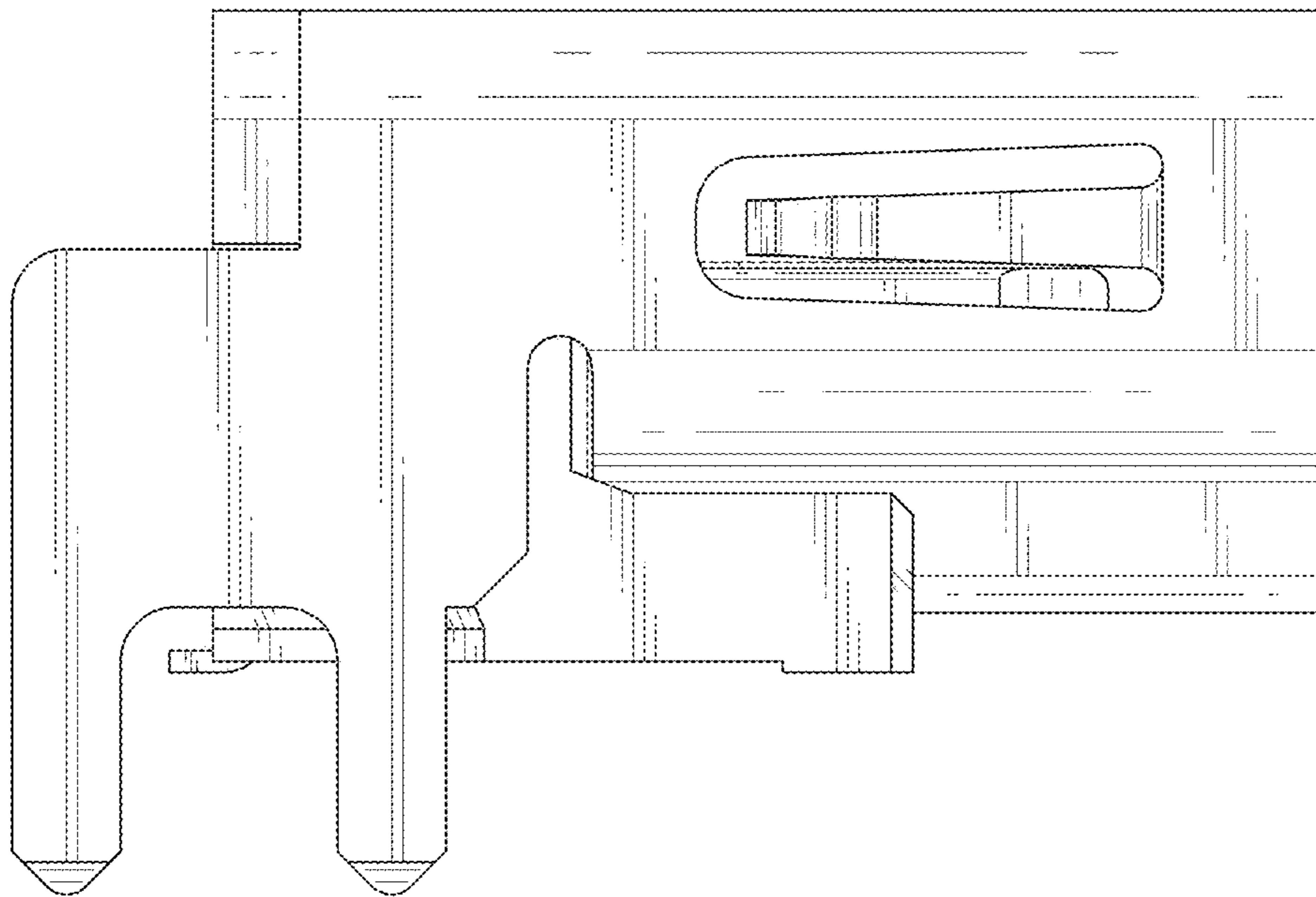


FIG. 4

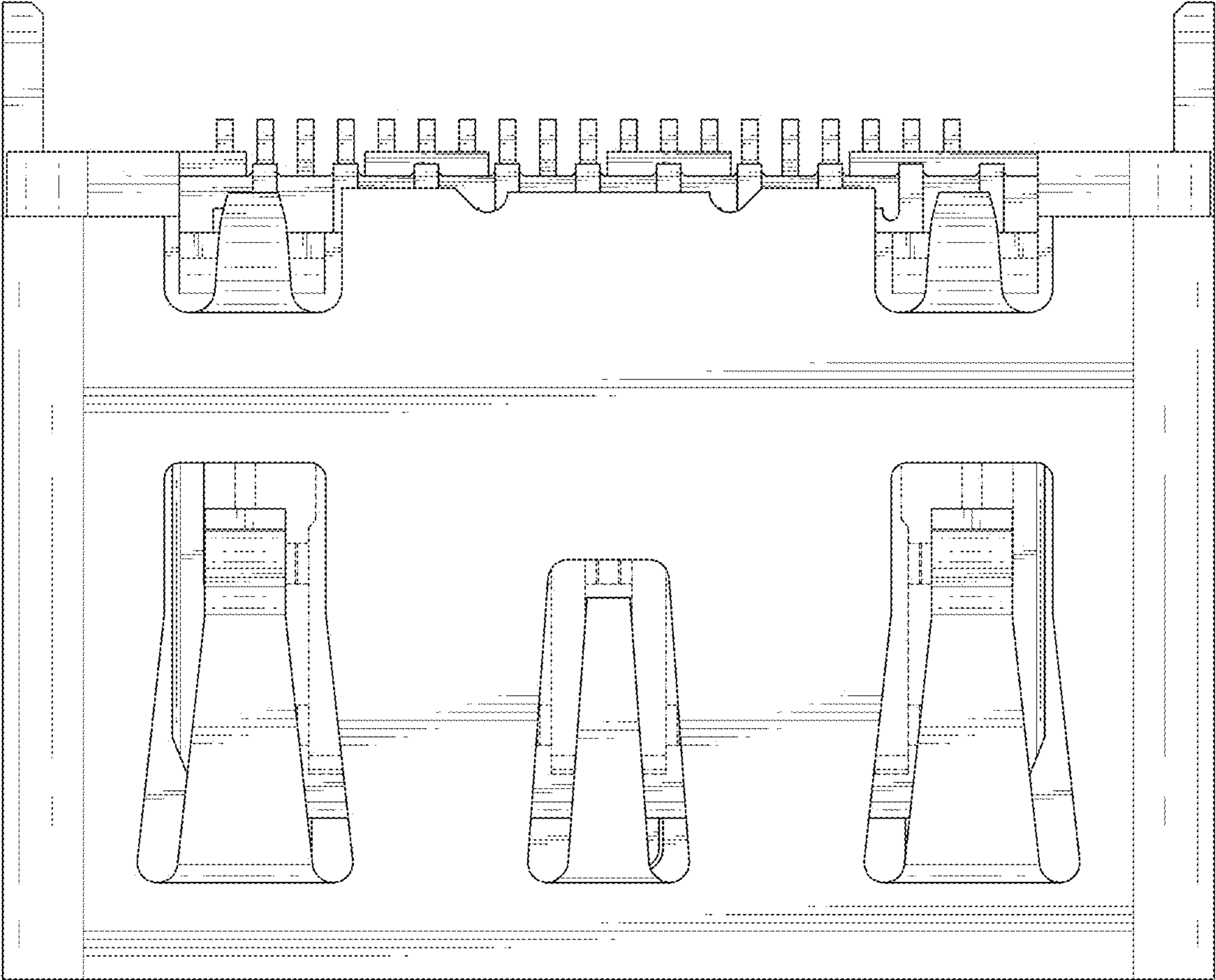


FIG. 5

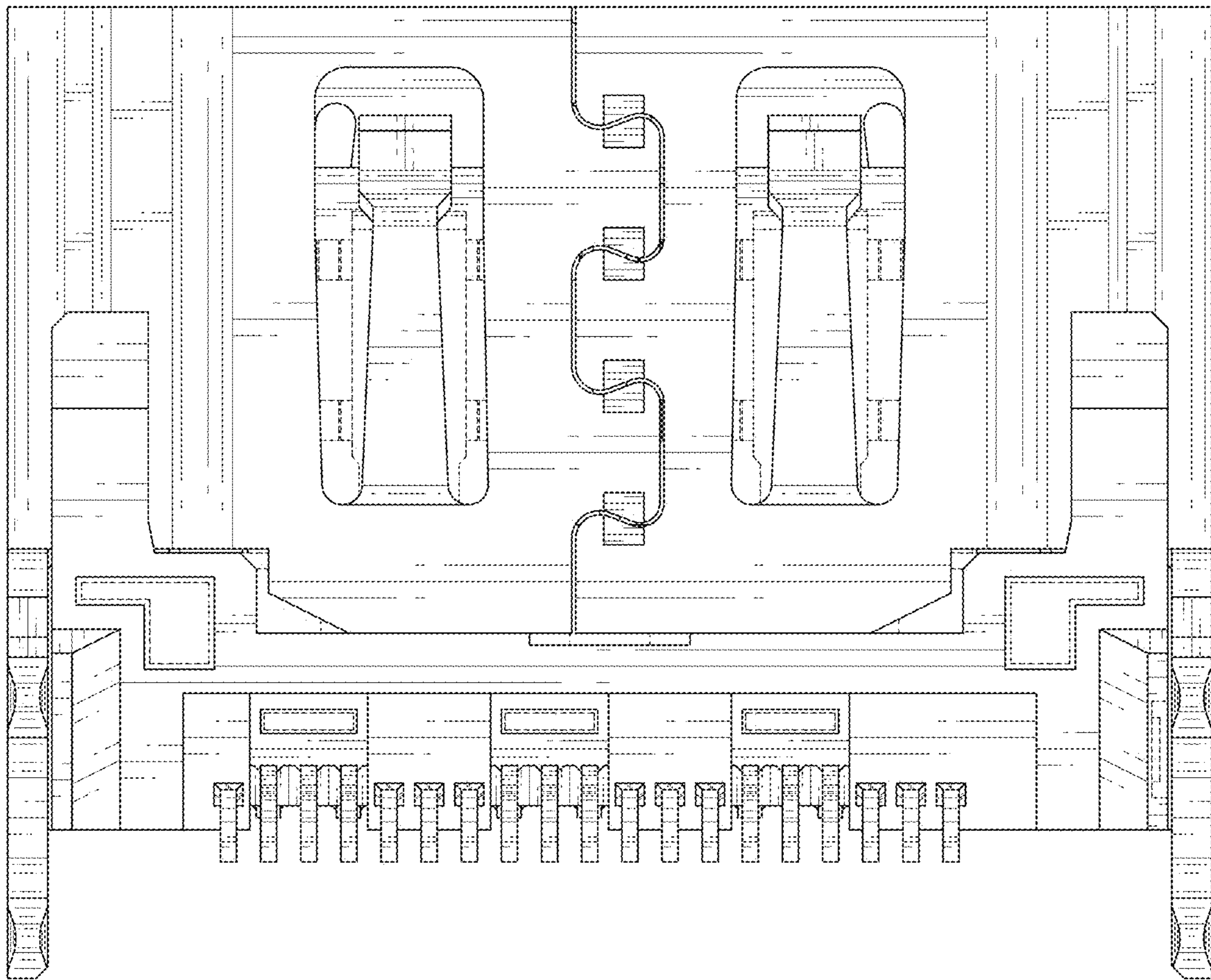


FIG. 6

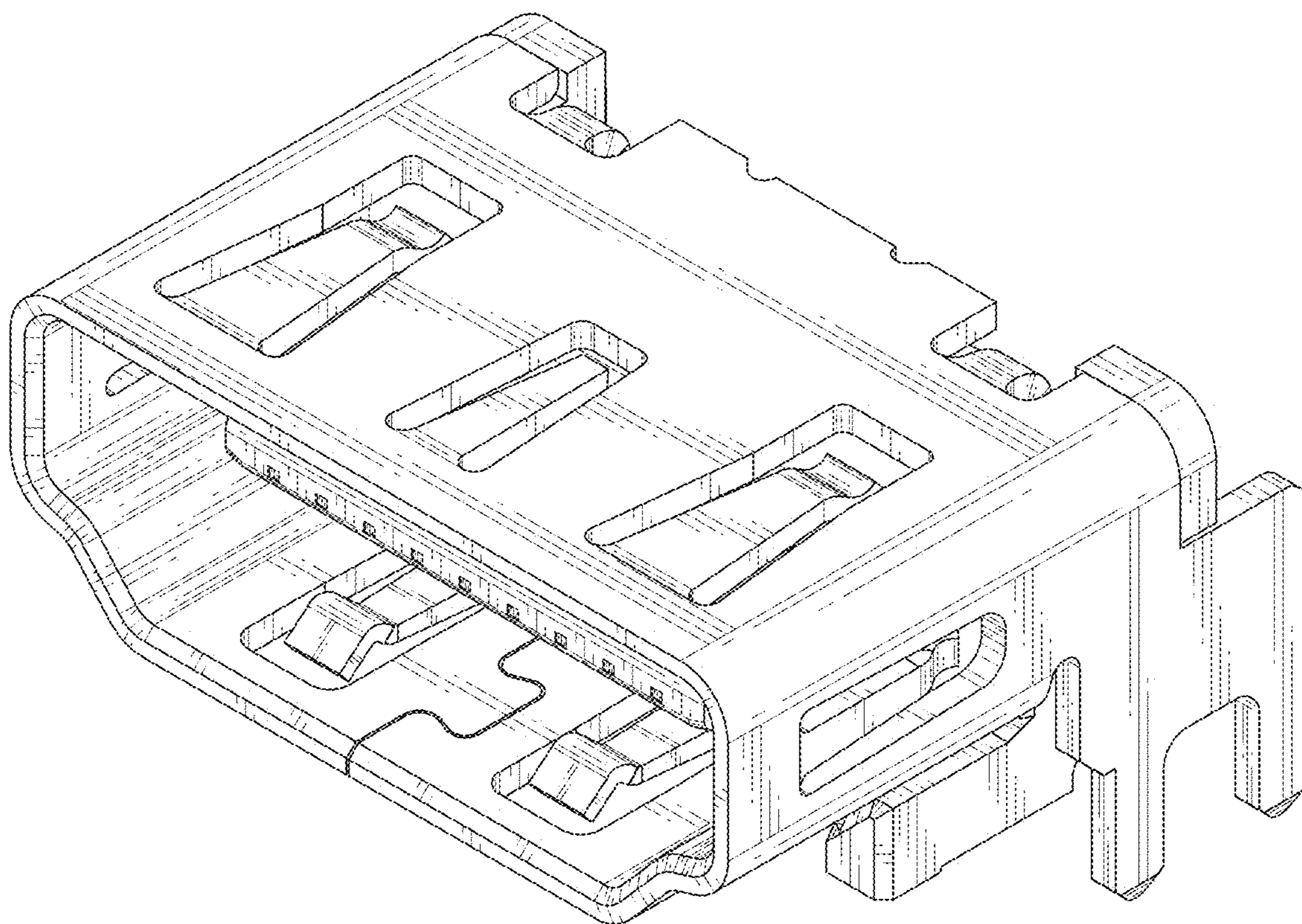


FIG. 7

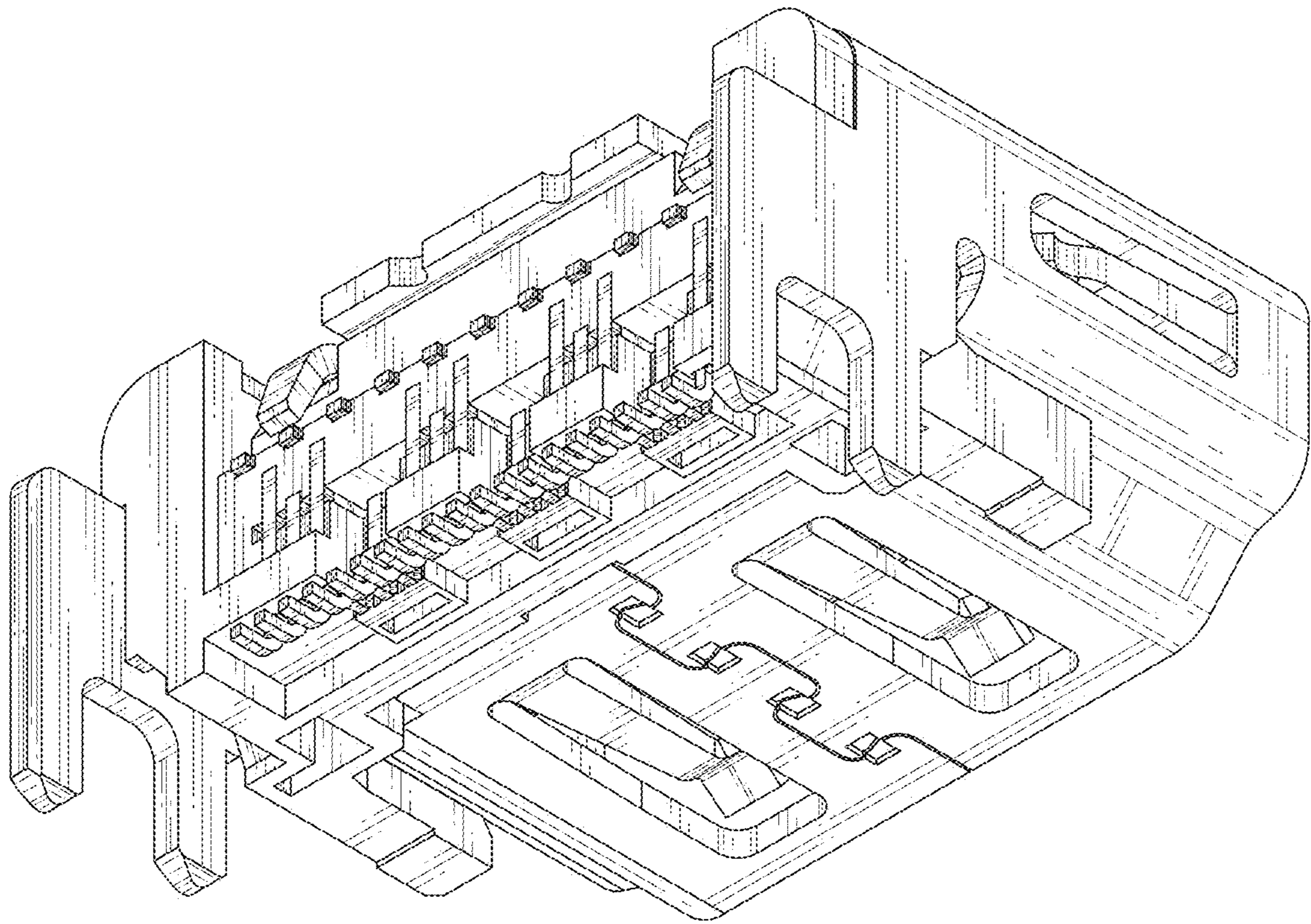


FIG. 8

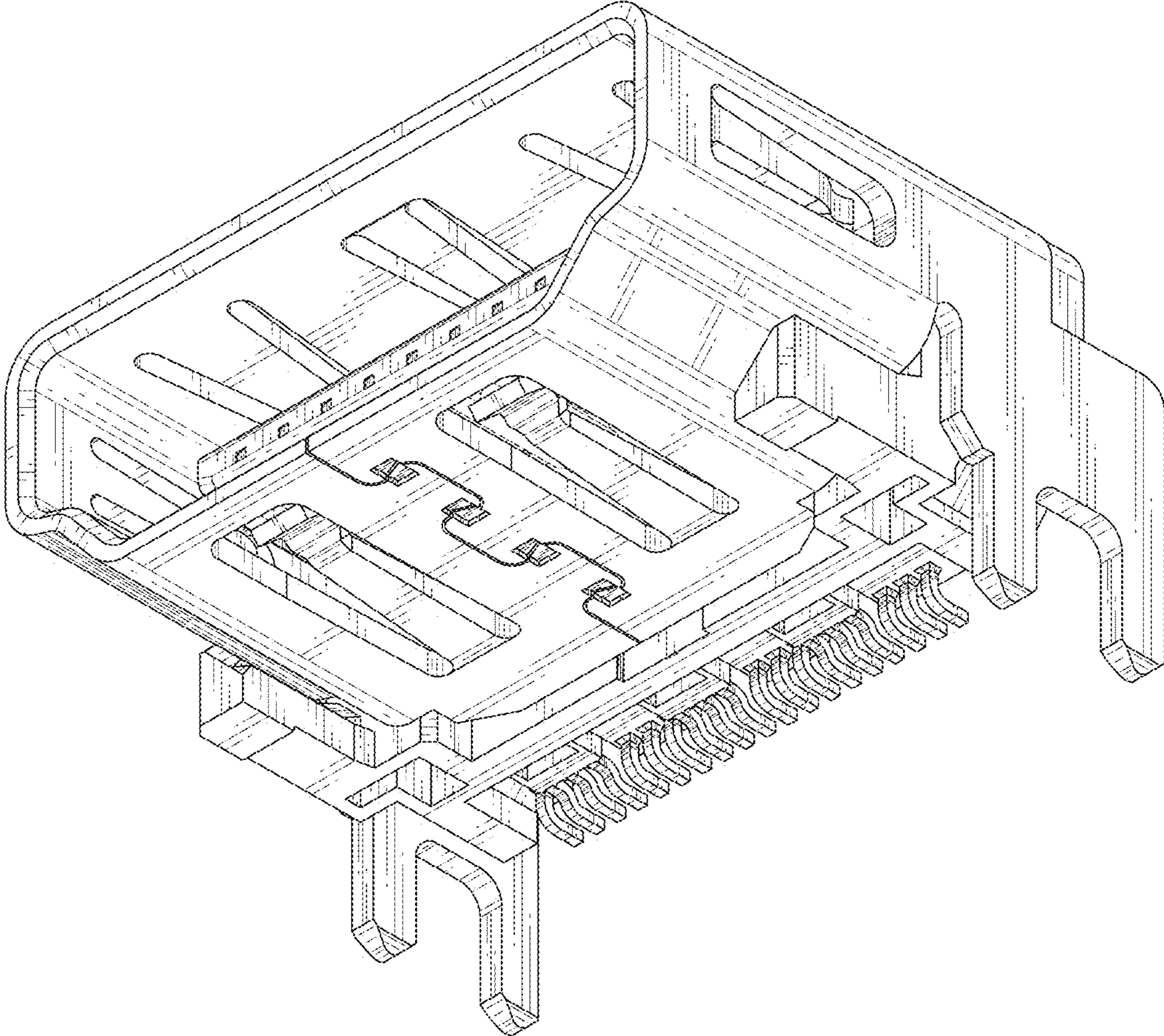


FIG. 9

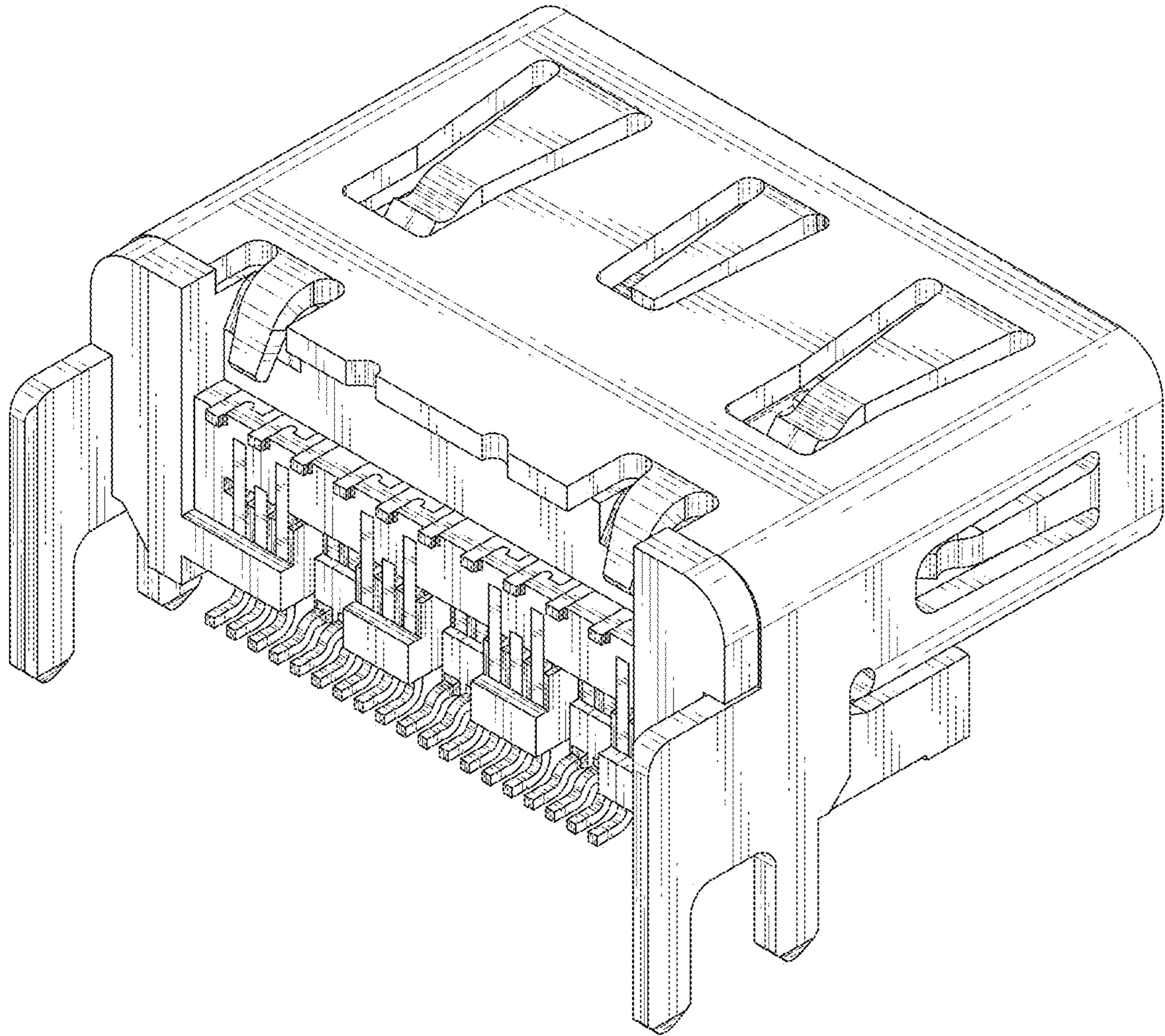


FIG. 10