

US00D934180S

(12) **United States Design Patent** (10) **Patent No.:** **US D934,180 S**
Yan (45) **Date of Patent:** **** Oct. 26, 2021**

(54) **EXTENSION SOCKET**

D900,033 S 10/2020 Chen
D920,254 S * 5/2021 Tao D13/137.2
D922,327 S * 6/2021 Tao D13/137.2

(71) Applicant: **SHENZHEN MINGRUI INDUSTRIAL CO., LTD**, Shenzhen (CN)

OTHER PUBLICATIONS

(72) Inventor: **Bingjie Yan**, Luoyang (CN)

“GE 4-outlet . . .” reference dated Sep. 9, 2021 found by RMS on the internet at: <https://byjasco.com/ge-4-outlet-2-usb-port-surge-protector-6-ft-cord-and-twist-close-safety-covers>.*

(73) Assignee: **SHENZHEN MINGRUI INDUSTRIAL CO., LTD**, Shenzhen (CN)

“Power Strip . . .” reference dated Sep. 9, 2021 found by RMS on the internet at: https://www.amazon.com/dp/B08MTBCXWX/ref=sspa_dk_detail_0?psc=1&pd_rd_i=B08MTBCXWX&pd_rd_w=lh11j&pf_rd_p=887084a2-5c34-4113-a4f8-b7947847c308&pd_rd_wg=qsW4E&pf_rd_r=V5X0HBVSGMH7VQDPGY8Z&pd_rd_r=9d1a0e50-c4ee-49c1-9fc0-7791c70d510c&sp.*

(**) Term: **15 Years**

“Power Strip . . .” reference dated Sep. 9, 2021 found by RMS on the internet at: <https://www.amazon.com/Fire-Proof-Mountable-SUPERDANNY-Protection-Extension/dp/B07GZNVHT4>.*

(21) Appl. No.: **29/765,758**

(22) Filed: **Jan. 11, 2021**

* cited by examiner

(51) **LOC (13) Cl.** **13-03**

Primary Examiner — Rhea Shields

(52) **U.S. Cl.**
USPC **D13/139.8**

(57) **CLAIM**

(58) **Field of Classification Search**
USPC D13/139.1–139.8, 137.1–137.3, 154
CPC H01R 25/003
See application file for complete search history.

The ornamental design for an extension socket, as shown and described.

DESCRIPTION

(56) **References Cited**

U.S. PATENT DOCUMENTS

D402,963 S	*	12/1998	Parshad	D13/139.6
D581,874 S	*	12/2008	Zhou	D13/139.6
D636,345 S	*	4/2011	Cullen	D13/154
D693,770 S	*	11/2013	Miller	D13/139.2
D701,834 S	*	4/2014	Lee	D13/137.2
D796,443 S	*	9/2017	Xu	D13/139.6
D801,276 S	*	10/2017	Lin	D13/139.7
D816,038 S	*	4/2018	Lu	D13/137.3
D823,805 S	*	7/2018	Xu	D13/139.8
D837,736 S	*	1/2019	Liao	D13/139.7
D864,874 S		10/2019	Xu		
D872,027 S	*	1/2020	Lien	D13/139.6

FIG. 1 is a perspective view of an extension socket showing my new design;

FIG. 2 is another perspective view thereof;

FIG. 3 is a front elevational view thereof;

FIG. 4 is a rear elevational view thereof;

FIG. 5 is a left side elevational view thereof;

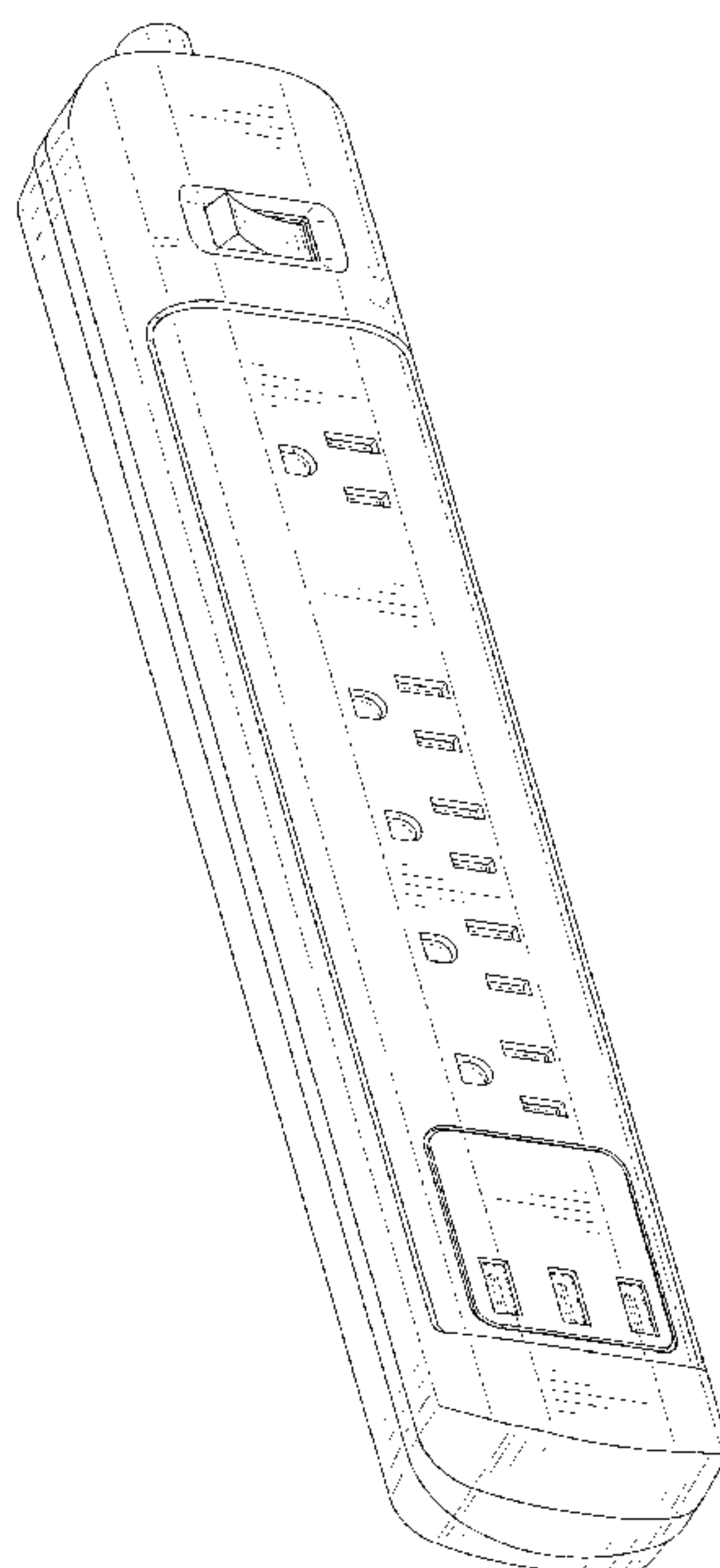
FIG. 6 is a right side elevational view thereof;

FIG. 7 is a top plan view thereof; and,

FIG. 8 is a bottom plan view thereof.

The broken lines in the drawings depict portions of the extension socket that form no part of the claimed design.

1 Claim, 8 Drawing Sheets



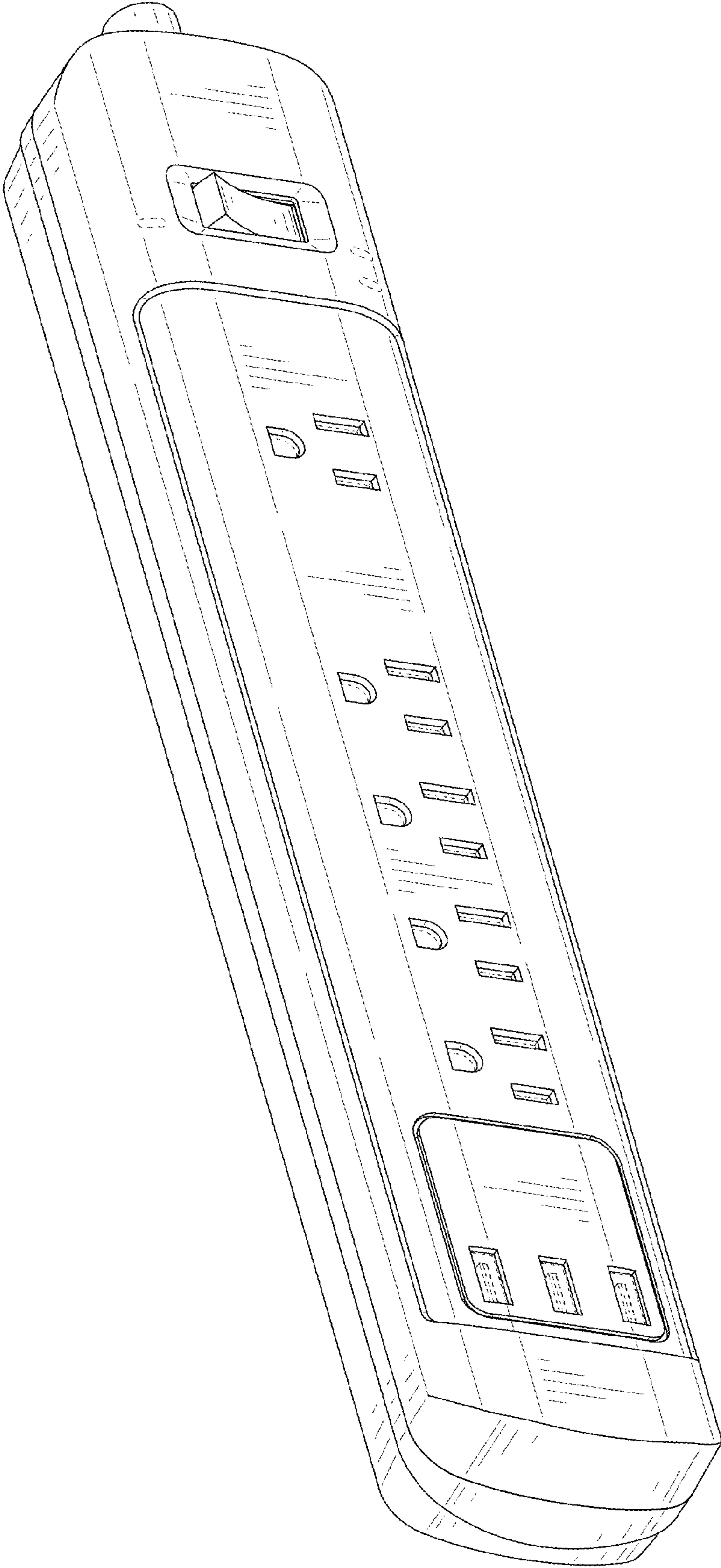


FIG. 1

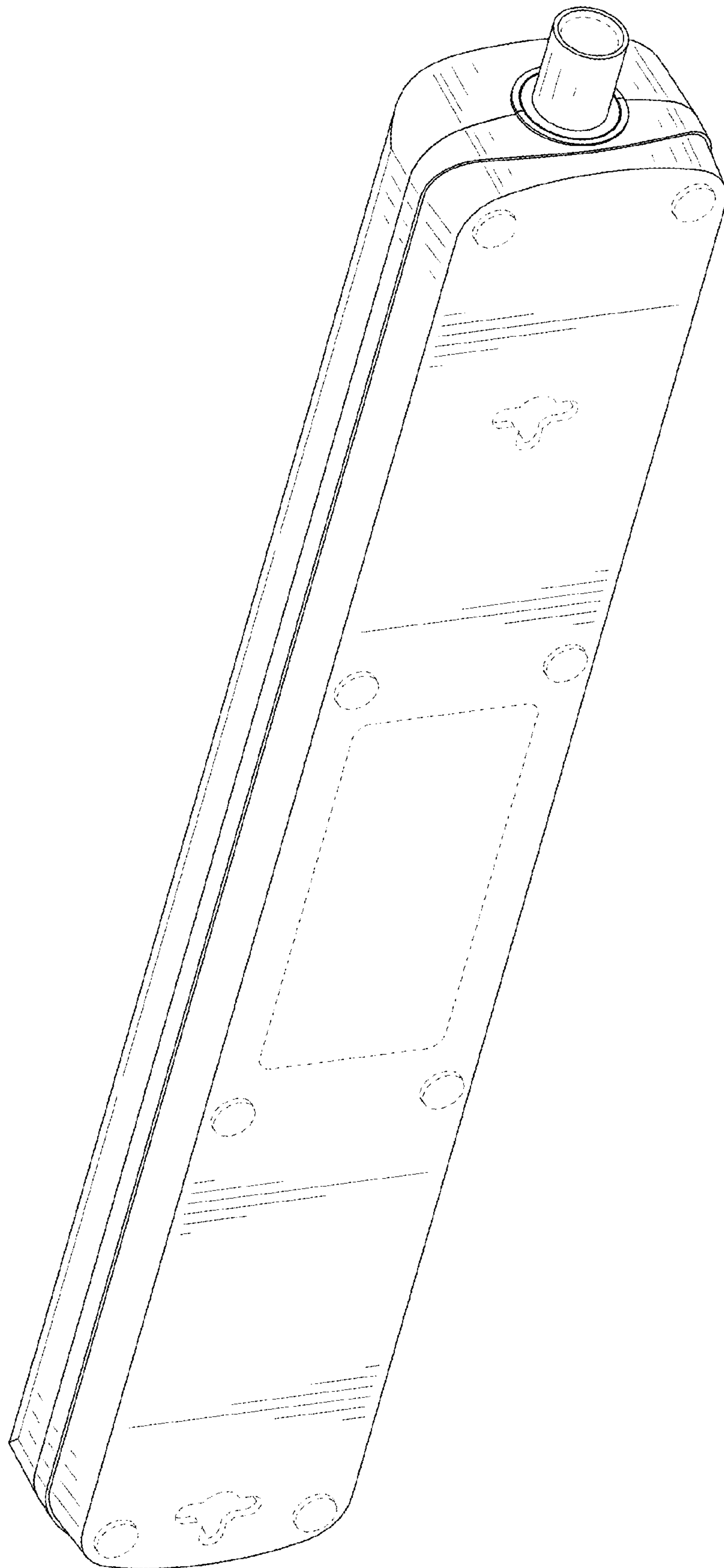


FIG. 2

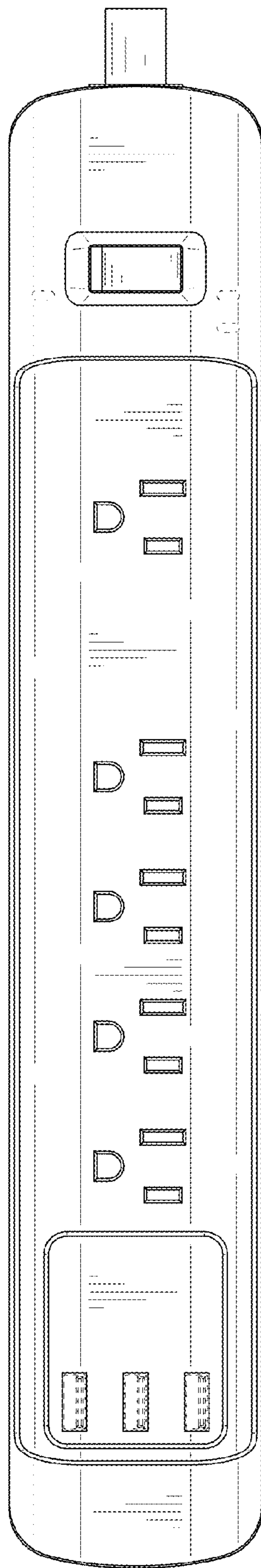


FIG. 3

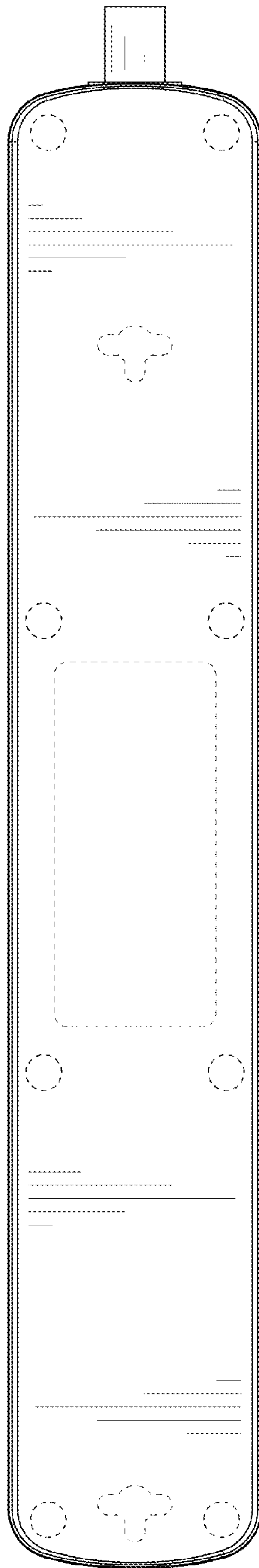


FIG. 4

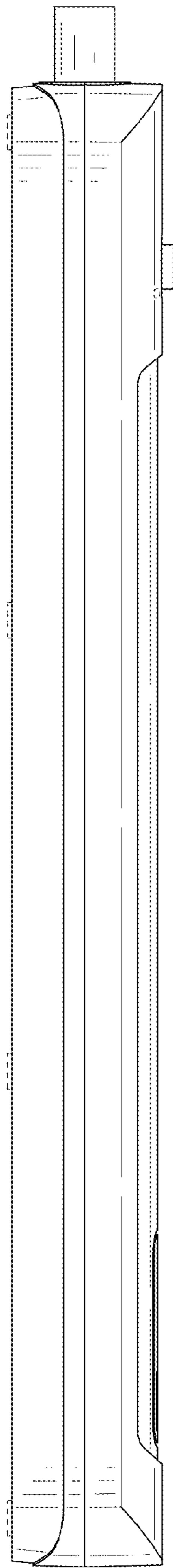


FIG. 5

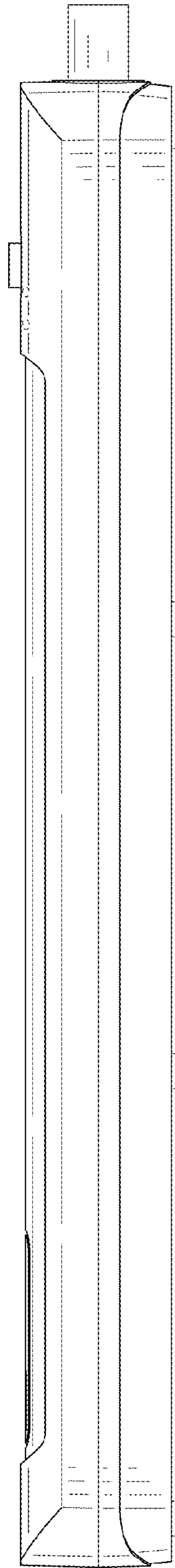


FIG. 6

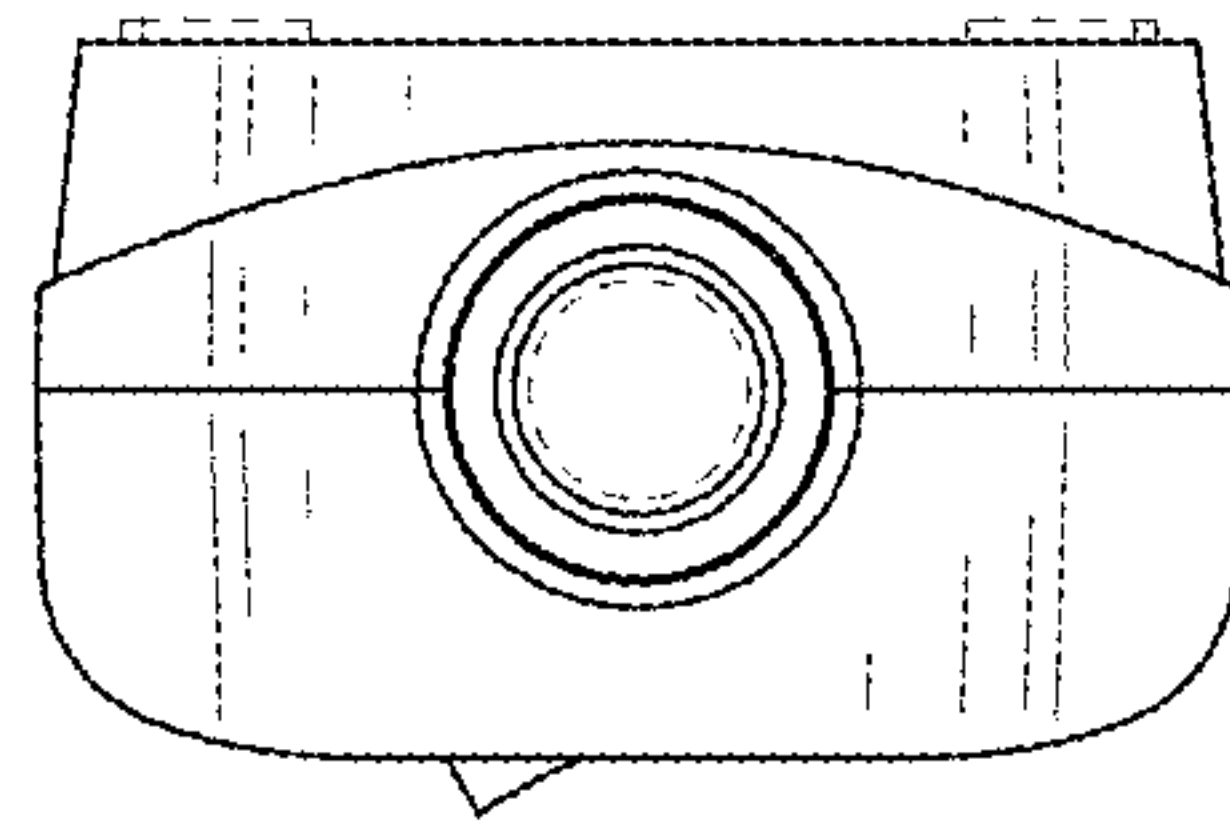


FIG. 7

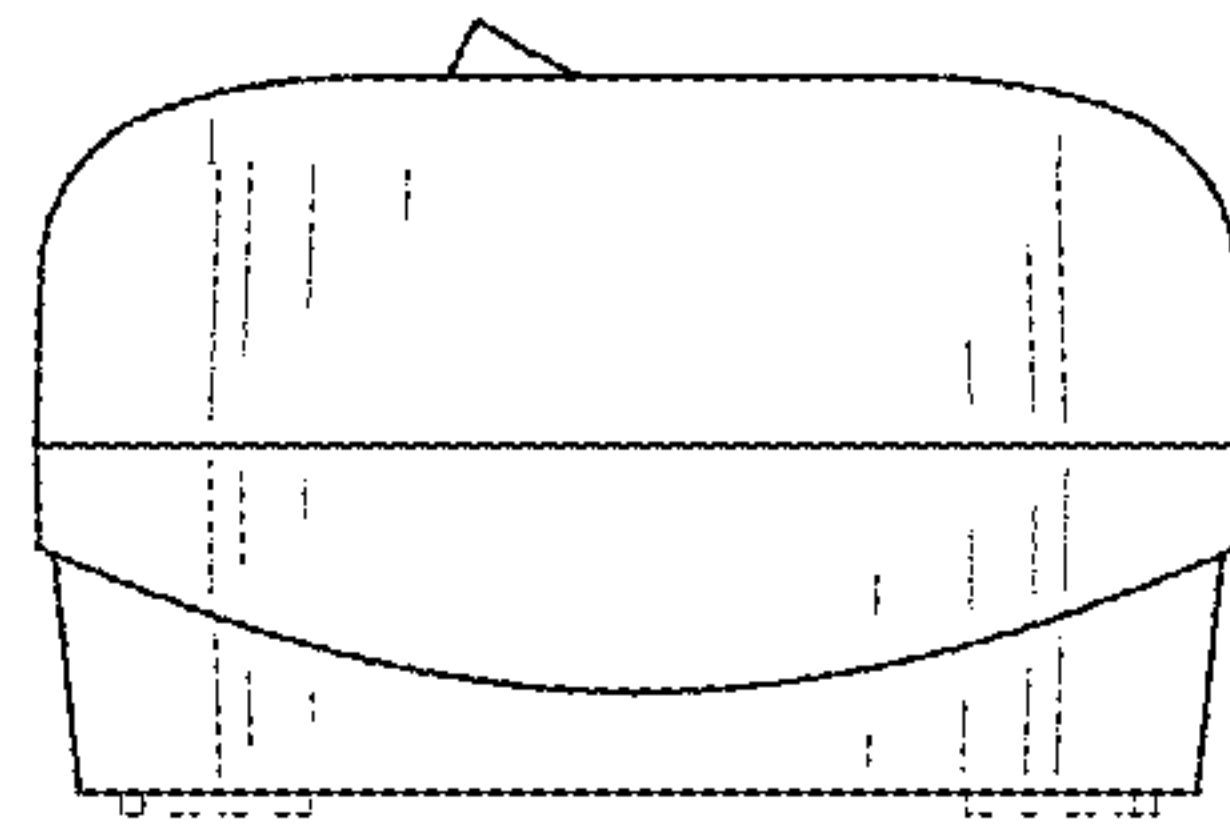


FIG. 8