



US00D934179S

(12) **United States Design Patent** (10) **Patent No.:** **US D934,179 S**  
**Deng** (45) **Date of Patent:** **\*\* Oct. 26, 2021**

(54) **POWER STRIP TOWER**  
(71) Applicant: **E. MISHAN & SONS, INC.**, New York, NY (US)  
(72) Inventor: **Daniel Deng**, Dongguan (CN)  
(73) Assignee: **E. MISHAN & SONS, INC.**, New York, NY (US)  
(\*\*) Term: **15 Years**  
(21) Appl. No.: **29/704,406**  
(22) Filed: **Sep. 4, 2019**  
(51) **LOC (13) Cl.** ..... **13-03**  
(52) **U.S. Cl.**  
USPC ..... **D13/139.8**  
(58) **Field of Classification Search**  
USPC ... D13/110, 133, 137.1, 137.2, 137.3, 137.4, D13/137.5, 137.6, 137.7, 137.8, 137.9, D13/138.1, 138.2, 138.3, 138.4, 138.5, D13/138.6, 138.7, 138.8, 138.9, 139.1, D13/139.2, 139.3, 139.4, 139.5, 139.6, D13/139.7, 139.8, 152, 199; D14/433; D8/350, 353  
CPC .... H01R 35/04; H01R 2103/00; H01R 31/06; H01R 31/005; H01R 2201/06; H01R 13/665; H01R 13/7135; H01R 13/652; H01R 13/506; H01R 13/514; H01R 13/518; H01R 13/6272; H01R 13/46; G06F 13/4022; G06F 13/382; G06F 1/1632; G06F 1/1684; G06F 1/20; G06F 1/1607; H02J 7/0062; H02J 2007/0062; H02J 7/00043; H02J 7/0021; H02J 7/0026; H02J 7/0027; H02J 7/0045; H02H 13/16; H02G 3/088  
See application file for complete search history.

(56) **References Cited**  
U.S. PATENT DOCUMENTS  
5,185,499 A 2/1993 Yahraus  
5,629,826 A 5/1997 Roca et al.  
6,234,812 B1 5/2001 Ivers et al.  
6,369,999 B1 4/2002 Wohlgemuth et al.  
(Continued)

FOREIGN PATENT DOCUMENTS

CN 306196478 \* 11/2020  
CN 06242090 \* 12/2020

(Continued)

OTHER PUBLICATIONS

“Spin Power by Bell+Howell Surge Protector Electric Charging Station 4 Outlets 6 USB Ports with 45" Retractable Cord Built-in Phone Holder As Seen On TV”, first available Feb. 4, 2020. Amazon.com [Spin Power by Bell+Howell Surge Protector Electric Charging Station 4 Outlets 6 USB Ports with 45" Retractable Cord Built-in Phone Holder As Seen On TV] (Year: 2020).\*

(Continued)

*Primary Examiner* — Rosemary K Tarcza  
*Assistant Examiner* — Seth David Kumpf  
(74) *Attorney, Agent, or Firm* — Notaro, Michalos & Zaccaria P.C.

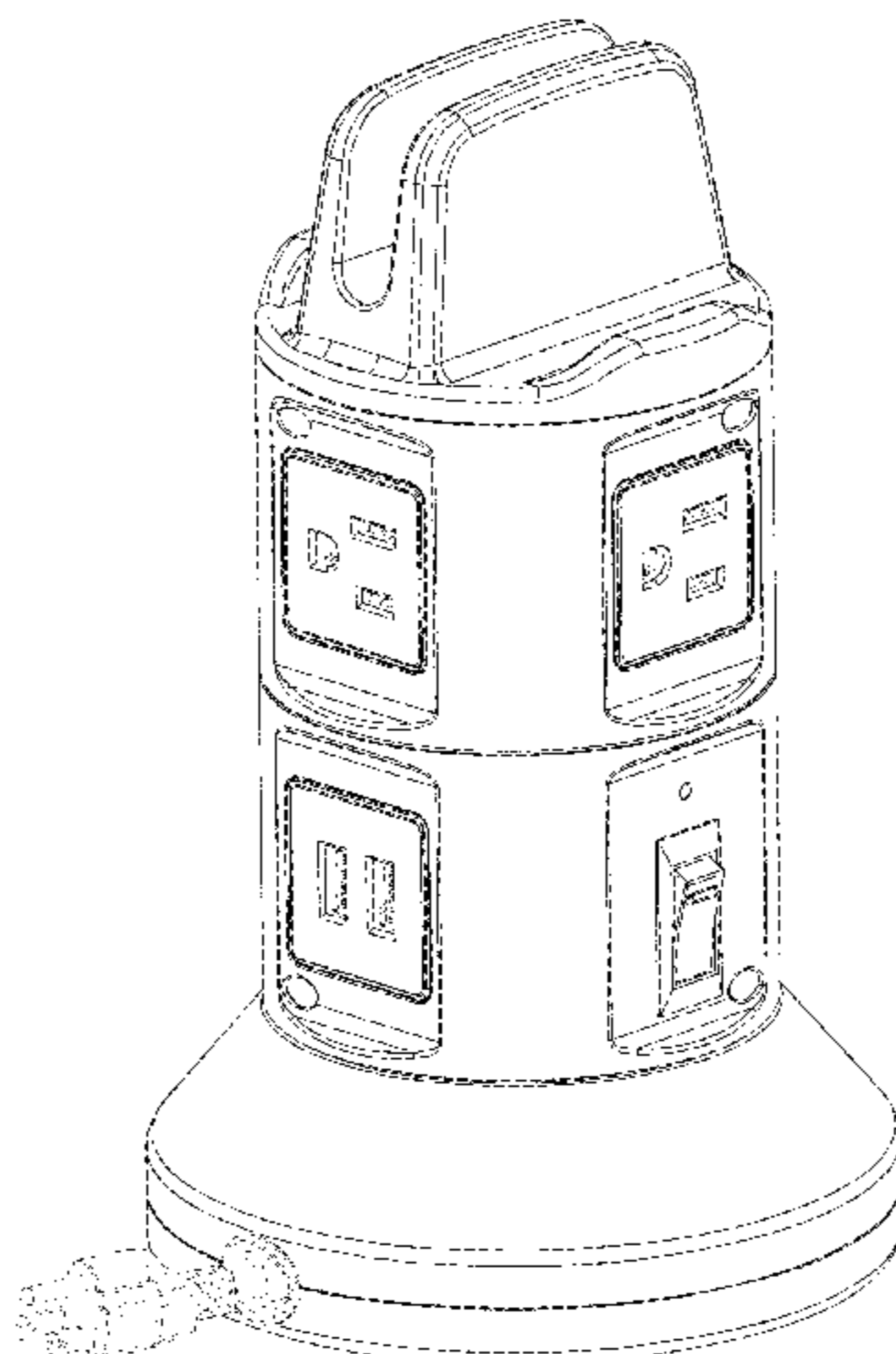
(57) **CLAIM**

The ornamental design for a power strip tower, as shown and described.

**DESCRIPTION**

FIG. 1 is a rear view of a power strip tower, showing my new design;  
FIG. 2 is a front view thereof;  
FIG. 3 is a right side elevational view thereof;  
FIG. 4 is a left side elevational view thereof;  
FIG. 5 is a top plan view thereof;  
FIG. 6 is a bottom plan view thereof; and,  
FIG. 7 is a left, front perspective view thereof.  
Broken lines in the drawings indicate environmental structure, that form no part of the claimed design.

**1 Claim, 7 Drawing Sheets**



(56)

References Cited

U.S. PATENT DOCUMENTS

6,897,379 B1 5/2005 Hsiao  
 7,112,097 B1 9/2006 Lam  
 D534,869 S 1/2007 Stekelenburg  
 7,189,107 B1 3/2007 Strayer et al.  
 7,675,264 B2 3/2010 Lin et al.  
 RE42,385 E 5/2011 Wong et al.  
 D653,215 S 1/2012 Lam  
 8,107,243 B2 1/2012 Guccione et al.  
 8,217,528 B2 7/2012 Fleisig  
 8,783,936 B2 7/2014 Chien  
 8,911,137 B2 12/2014 Chien  
 8,915,608 B2 12/2014 Chien  
 D739,355 S 9/2015 Aubeterre  
 9,124,056 B1\* 9/2015 Lewis, Jr. .... H02G 3/0493  
 9,182,111 B2 11/2015 Chien  
 9,252,605 B1 2/2016 Custon et al.  
 9,276,366 B1 3/2016 Flores  
 9,312,707 B2 4/2016 Stewart et al.  
 9,385,489 B2 7/2016 Wang  
 D775,589 S 1/2017 Soffer et al.  
 D776,056 S\* 1/2017 Block ..... D13/137.2  
 9,559,472 B2 1/2017 Chien  
 D794,029 S 8/2017 Lin  
 9,762,056 B1 9/2017 Miller et al.  
 9,543,770 B1 10/2017 O'Keefe et al.  
 D807,298 S\* 1/2018 Xu ..... D13/139.8  
 D807,831 S\* 1/2018 Xu ..... D13/139.8  
 D814,420 S\* 4/2018 Chen ..... D13/137.2  
 9,979,805 B1 5/2018 Huang  
 10,021,801 B2 7/2018 Deros  
 D826,163 S 8/2018 Xu  
 D832,215 S\* 10/2018 Xu ..... D13/137.2  
 10,181,735 B2 1/2019 Byrne et al.  
 D844,566 S 4/2019 Yu  
 D845,902 S 4/2019 Xu  
 D848,948 S\* 5/2019 Wei ..... D13/137.2  
 D854,509 S\* 7/2019 Wu ..... D14/168

10,367,317 B1 7/2019 Rahner et al.  
 D867,296 S 11/2019 Cheng  
 D872,695 S\* 1/2020 Bo ..... D13/137.2  
 D874,423 S\* 2/2020 Wu ..... D14/168  
 D879,034 S\* 3/2020 Wu ..... D13/108  
 2003/0012850 A1 7/2003 Metcalf  
 2003/0013326 A1 7/2003 Shu  
 2008/0020924 A1 8/2008 Huang  
 2009/0015790 A1 6/2009 Chapman  
 2009/0156061 A1\* 6/2009 Bernstein ..... H01R 31/06  
 439/652  
 2011/0008465 A1 4/2011 Caskey et al.  
 2012/0028908 A1 11/2012 Izzard  
 2014/0030743 A1 10/2014 Chien  
 2014/0031269 A1 10/2014 Doljack et al.  
 2014/0032738 A1 11/2014 Romanenko  
 2017/0000335 A1 1/2017 Samec et al.  
 2017/0032185 A1 11/2017 Chien  
 2019/0002794 A1 1/2019 Grzybowski et al.  
 2019/0024256 A1 8/2019 Chien  
 2019/0028852 A1 9/2019 Kulick

FOREIGN PATENT DOCUMENTS

CN 306390959 \* 3/2021  
 CN 306390960 \* 3/2021  
 GB 6109988 \* 12/2020

OTHER PUBLICATIONS

“Power Strip Tower JACKYLED Surge Protector Electric Charging Station 3000W 13A 10 Outlets 4 USB Ports with 16AWG 6.5ft Heavy Duty Extension Cord for Home Office”, first available May 11, 2016. Amazon.com [Power Strip Tower JACKYLED Surge Protector Electric Charging Station 3000W 13A 10 Outlets 4 USB Ports with 16AWG 6.5ft Heavy Duty Extension Cord for Home Office] (Year: 2016).\*

\* cited by examiner

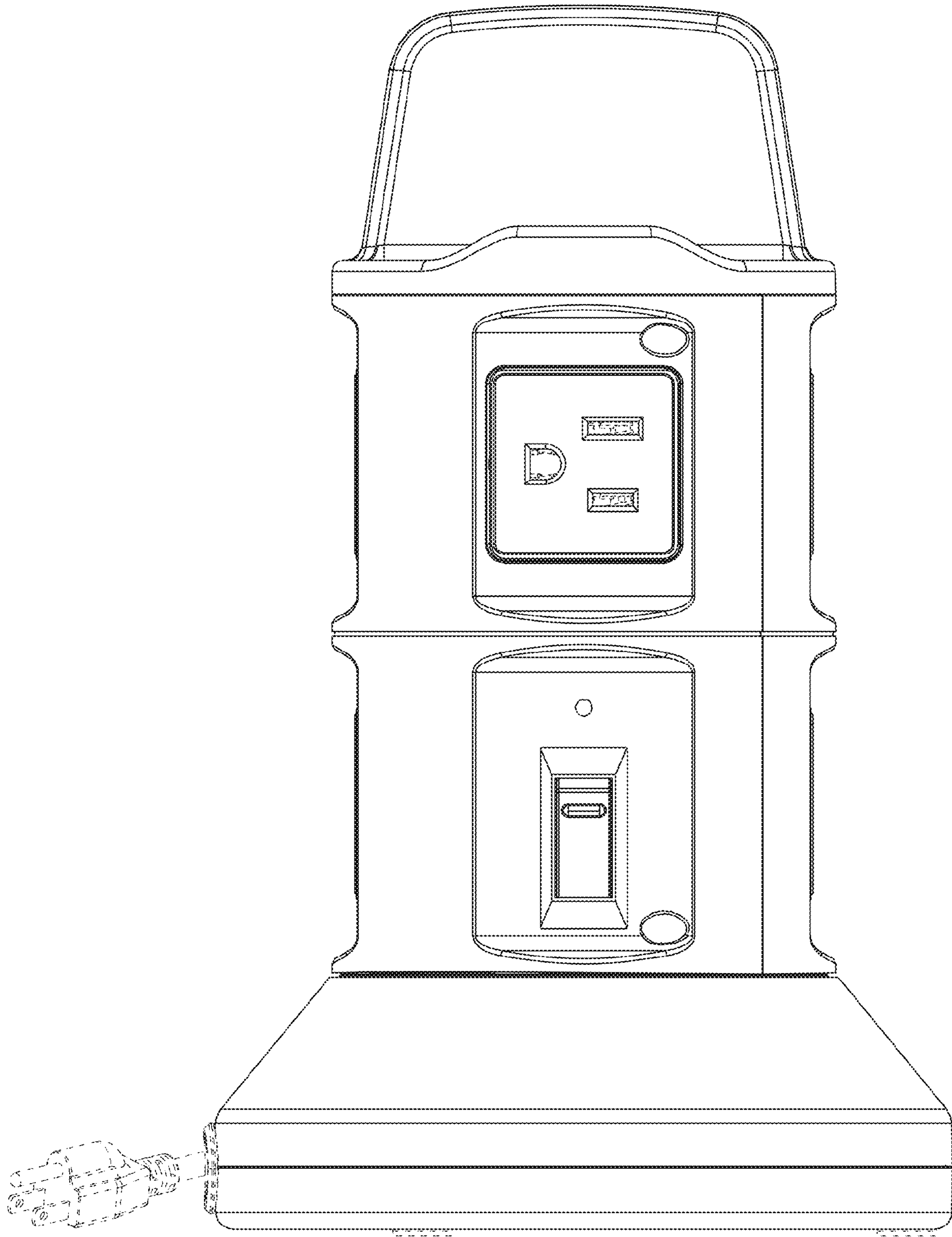


FIG. 1



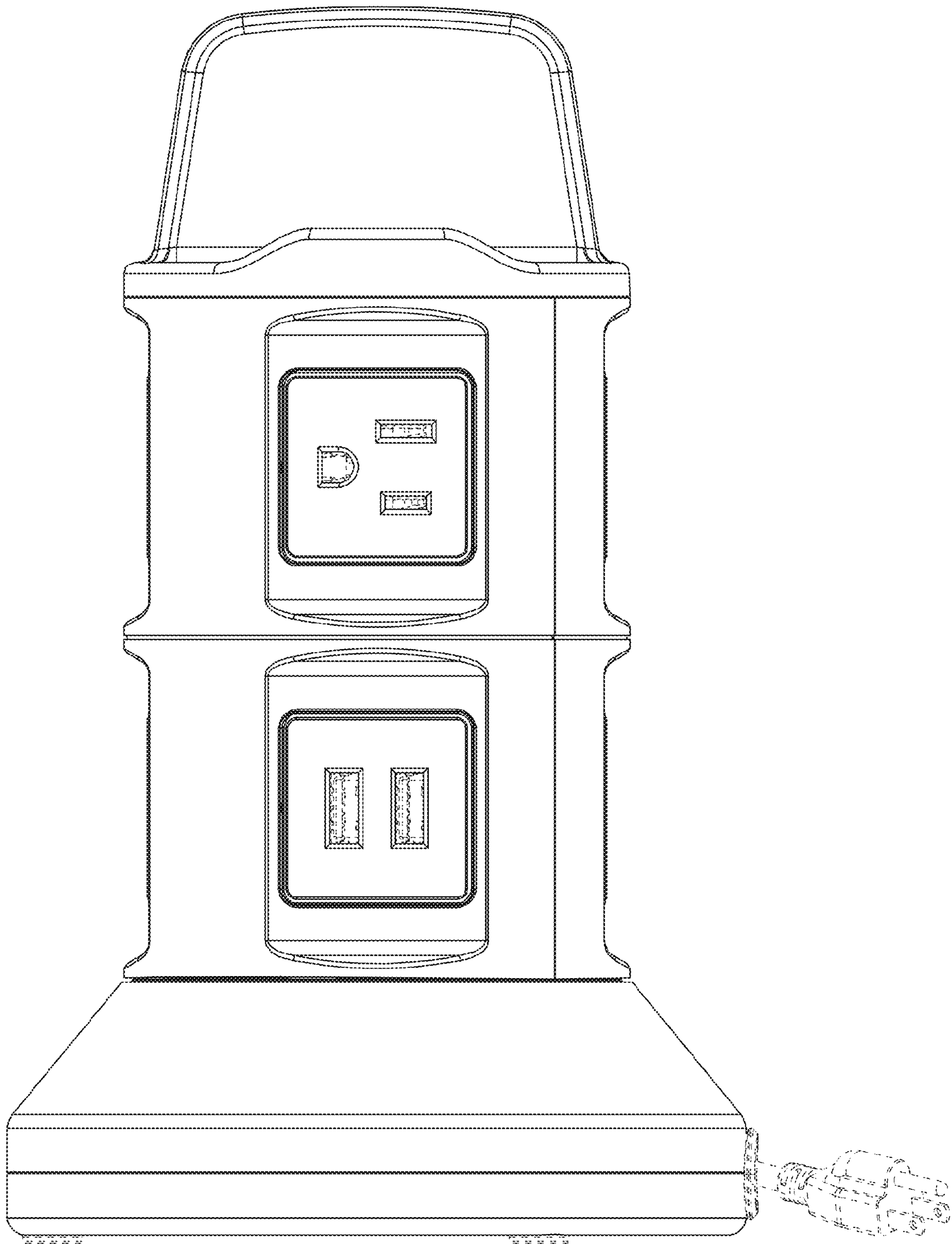


FIG. 2

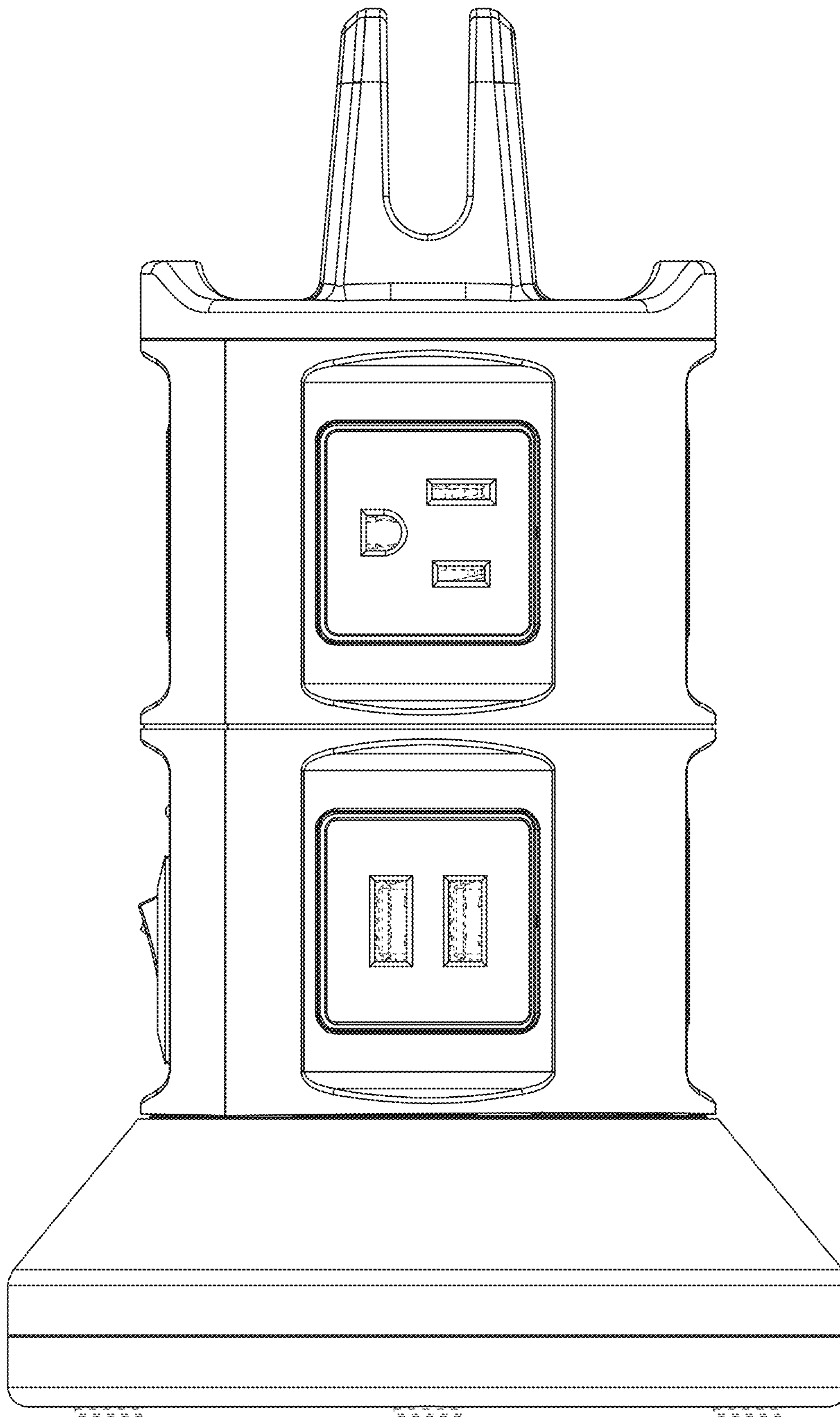


FIG. 3

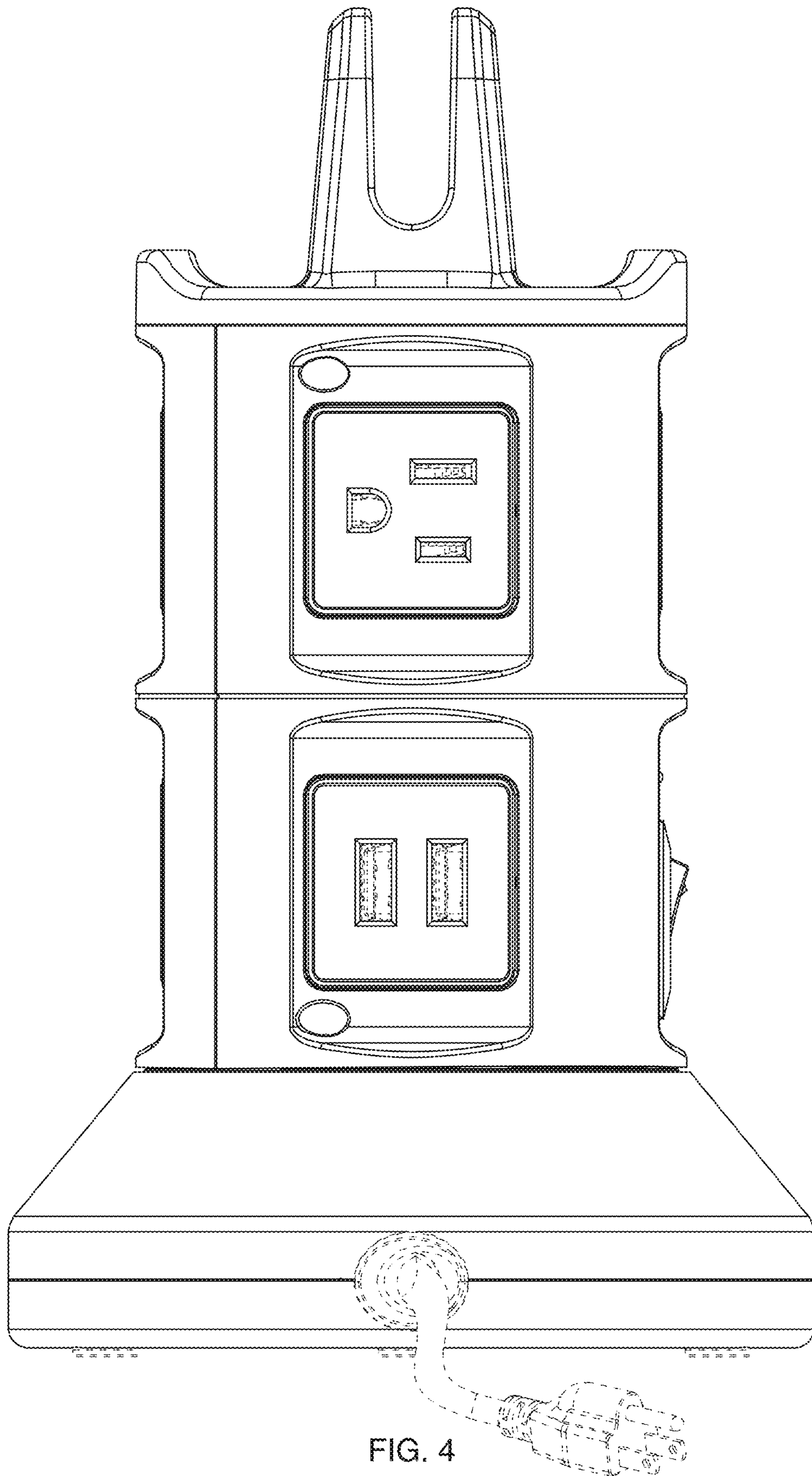


FIG. 4

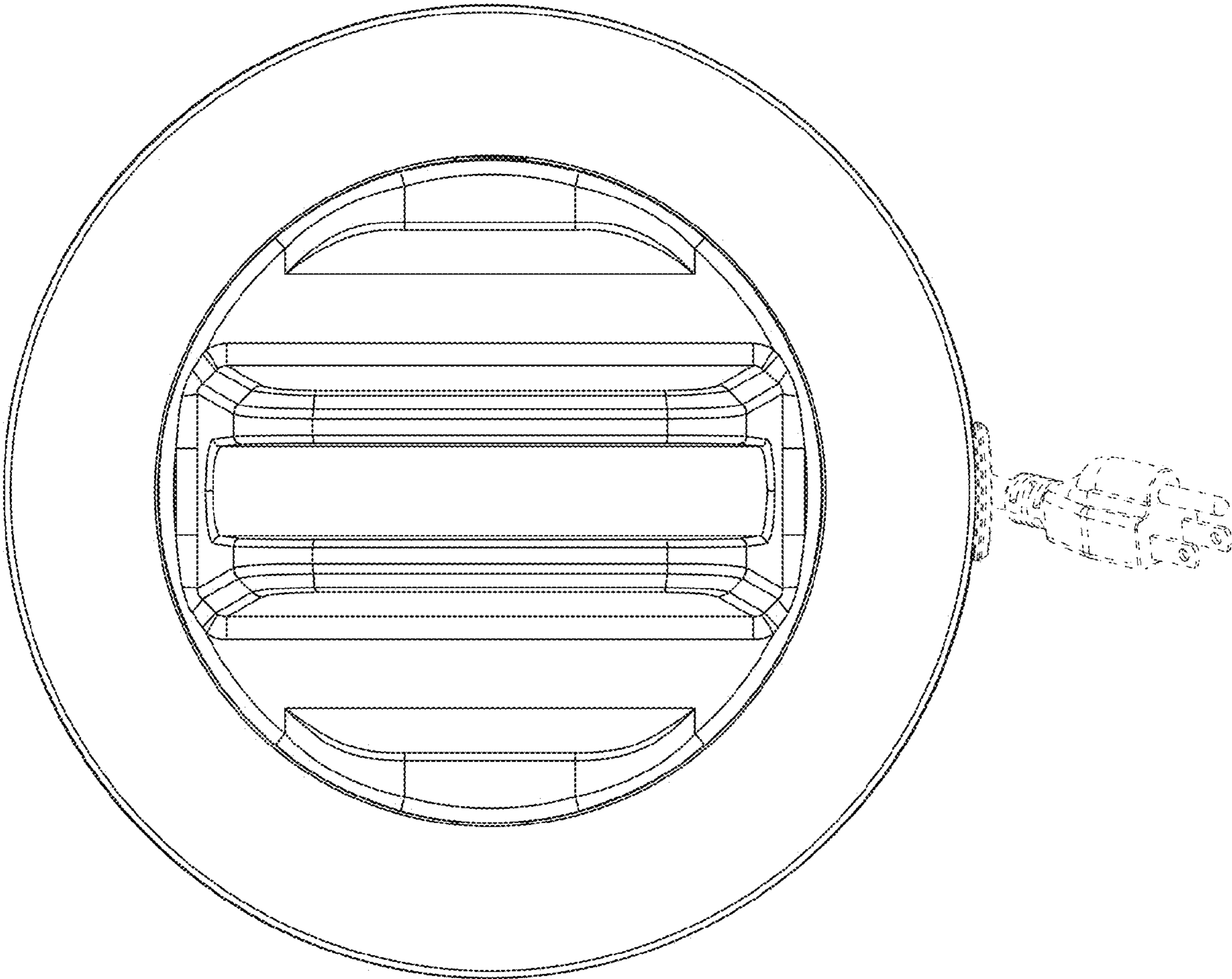


FIG. 5

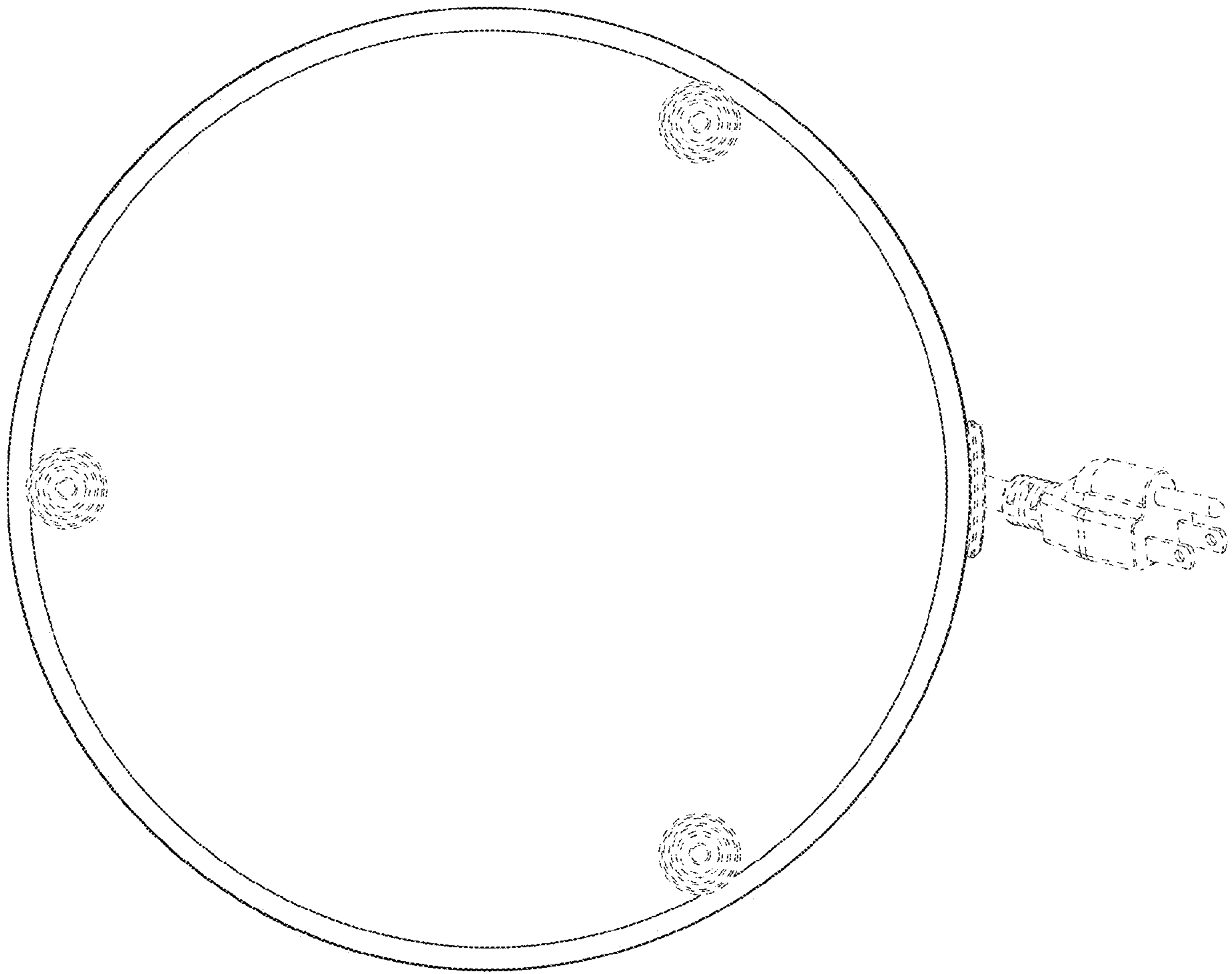


FIG. 6



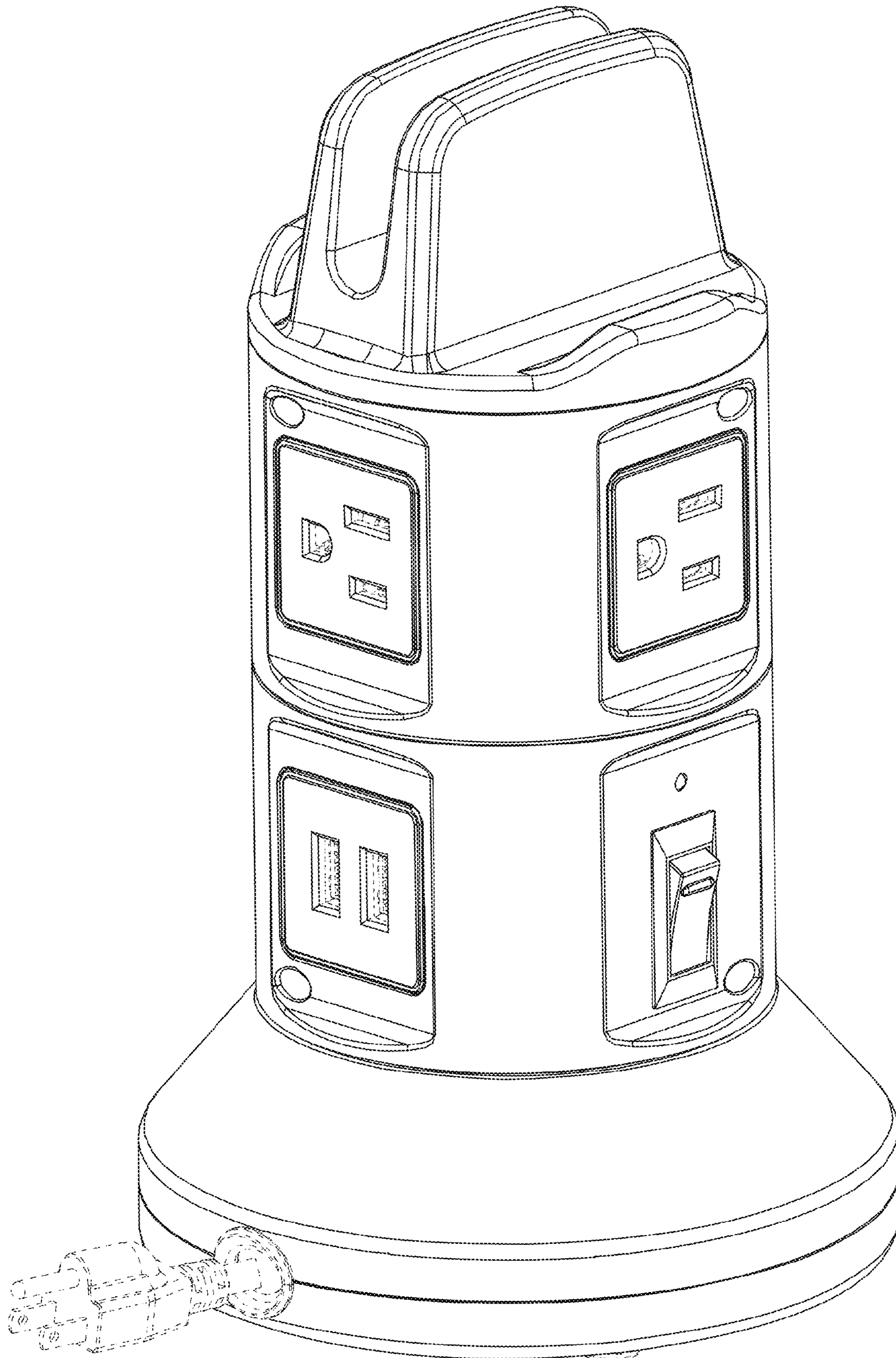


FIG. 7