



US00D934178S

(12) **United States Design Patent** (10) **Patent No.:** **US D934,178 S**
Byrne et al. (45) **Date of Patent:** **** Oct. 26, 2021**

(54) **ELECTRICAL PLUG WITH FUSE**

(71) Applicants: **Norman R. Byrne**, Ada, MI (US);
Gerald N. Vander Till, Grandville, MI
(US); **Aaron G. Lautenbach**,
Rockford, MI (US)

(72) Inventors: **Norman R. Byrne**, Ada, MI (US);
Gerald N. Vander Till, Grandville, MI
(US); **Aaron G. Lautenbach**,
Rockford, MI (US)

5,984,730 A * 11/1999 Lu H01R 13/68
439/620.3

6,190,207 B1 * 2/2001 Wang H01R 13/52
439/620.31

6,692,291 B2 * 2/2004 Chen H01R 4/2433
439/417

6,814,621 B2 * 11/2004 Lu H01R 24/28
439/620.29

D591,680 S * 5/2009 Ho'o D13/137.4

D610,993 S 3/2010 Fahrendorff et al.

D610,994 S 3/2010 Fahrendorff et al.

D623,136 S 9/2010 Andre et al.

D627,728 S 11/2010 Smith et al.

(**) Term: **15 Years**

(21) Appl. No.: **29/699,621**

(22) Filed: **Jul. 26, 2019**

(51) **LOC (13) Cl.** **13-03**

(52) **U.S. Cl.**
USPC **D13/138.2**

(58) **Field of Classification Search**
USPC D13/137.1-137.4, 138.1, 138.2, 139.1,
D13/139.2, 139.4, 139.6-139.8, 146, 147,
D13/158, 160, 161; D14/432, 433
CPC .. H01R 13/639; H01R 13/6392; H01R 13/64;
H01R 13/642; H01R 13/648; H01R
13/652; H01R 13/6666; H01R 13/6683;
H01R 13/68; H01R 13/713; H01R 24/20;
H01R 24/22; H01R 24/28; H01R 24/30;
H01R 2103/00; H01H 2207/22; H01H
71/58; H01H 83/04

See application file for complete search history.

(56) **References Cited**

U.S. PATENT DOCUMENTS

3,796,967 A 3/1974 Sondermeyer

4,274,698 A 6/1981 Khroni

5,482,478 A * 1/1996 Liao H01H 85/175
439/620.29

D375,080 S * 10/1996 Sandor D13/138.2

D400,172 S 10/1998 Aromin

(Continued)

OTHER PUBLICATIONS

Safeway Individually Fused Plug Hospital Grade. molex.com. Document date: Dec. 12, 2017. Retrieval date: Feb. 23, 2021 . Retrieved from internet: https://www.ideadigitalcontent.com/files/11312/ID-SPE-v1-1301440077_WIRING_DEVICES.pdf (Year: 2017).*

Primary Examiner — Lilyana Bekic

Assistant Examiner — Lee D. Starr

(74) *Attorney, Agent, or Firm* — Gardner, Linn, Burkhardt & Ondersma LLP

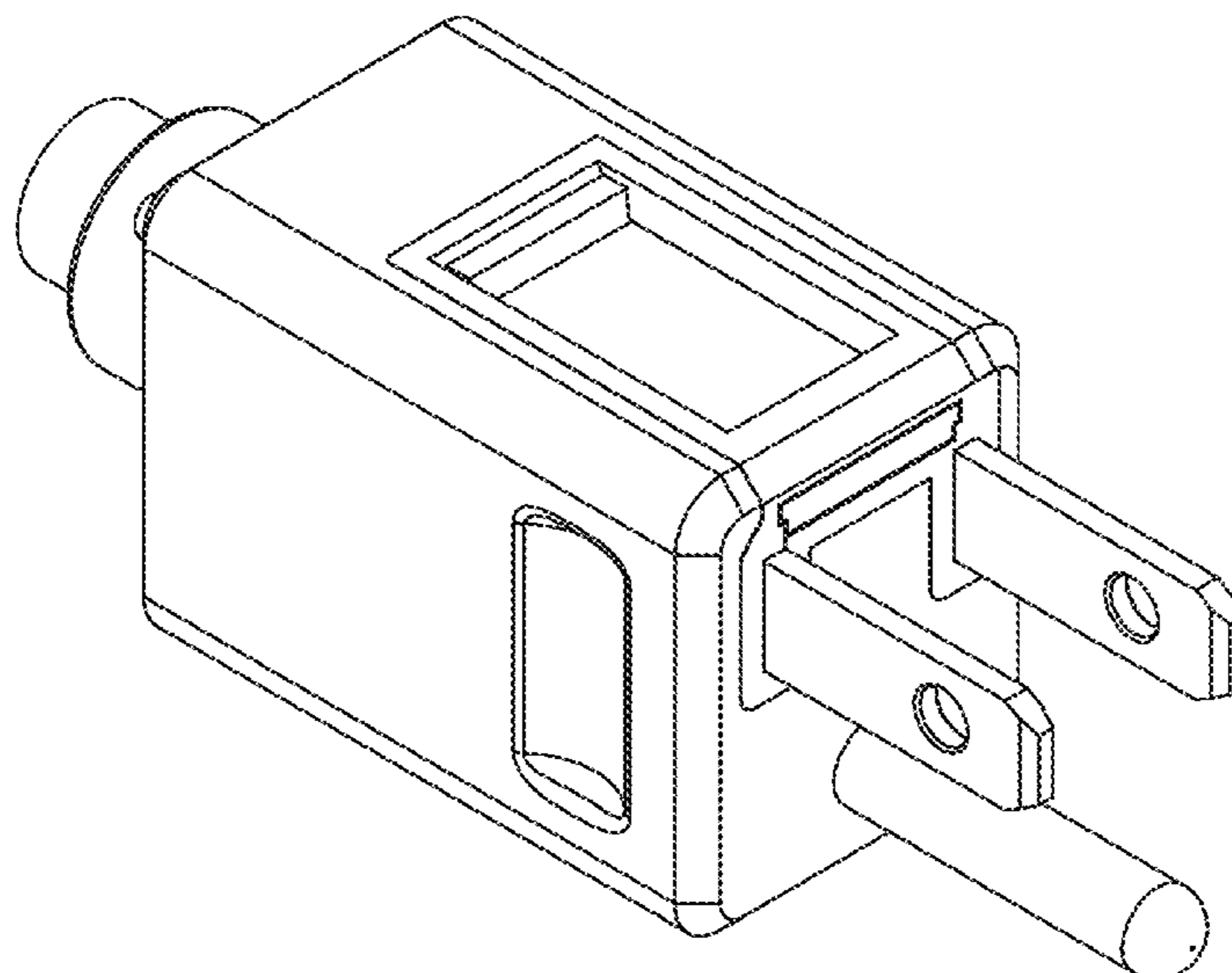
(57) **CLAIM**

The ornamental design for an electrical plug with fuse, as shown and described.

DESCRIPTION

FIG. 1 is a top-front-left perspective view of an electrical plug with fuse showing our new design;
FIG. 2 is a bottom-rear-right perspective view thereof;
FIG. 3. is a left side elevation thereof;
FIG. 4 is a right side elevation thereof;
FIG. 5 is a rear elevation thereof;
FIG. 6 is a front elevation thereof;
FIG. 7 is a top plan view thereof; and,
FIG. 8 is a bottom plan view thereof.

1 Claim, 3 Drawing Sheets



(56)

References Cited

U.S. PATENT DOCUMENTS

D651,975 S	1/2012	Smith et al.	
D661,651 S	6/2012	Smith et al.	
D663,688 S	7/2012	Lui et al.	
D664,093 S	7/2012	Andre et al.	
D680,070 S	4/2013	Zaslavsky	
D681,551 S	5/2013	Zaslavsky	
D683,314 S	5/2013	Andre et al.	
D701,835 S	4/2014	Byrne et al.	
D716,231 S	10/2014	Byrne et al.	
D716,734 S *	11/2014	Byrne	D13/138.2
D716,735 S *	11/2014	Byrne	D13/138.2
D763,794 S *	8/2016	Akana	D13/137.1

* cited by examiner

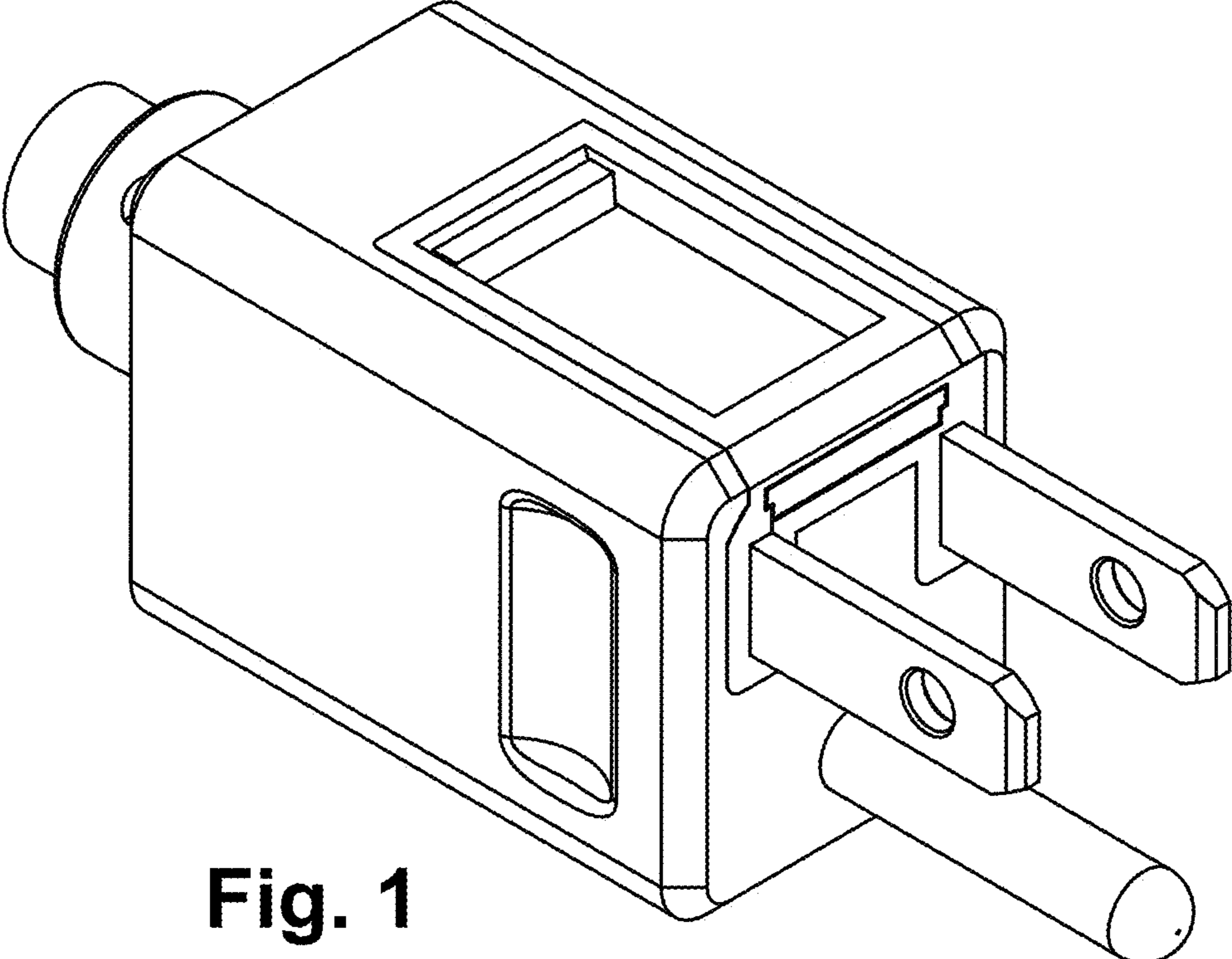


Fig. 1

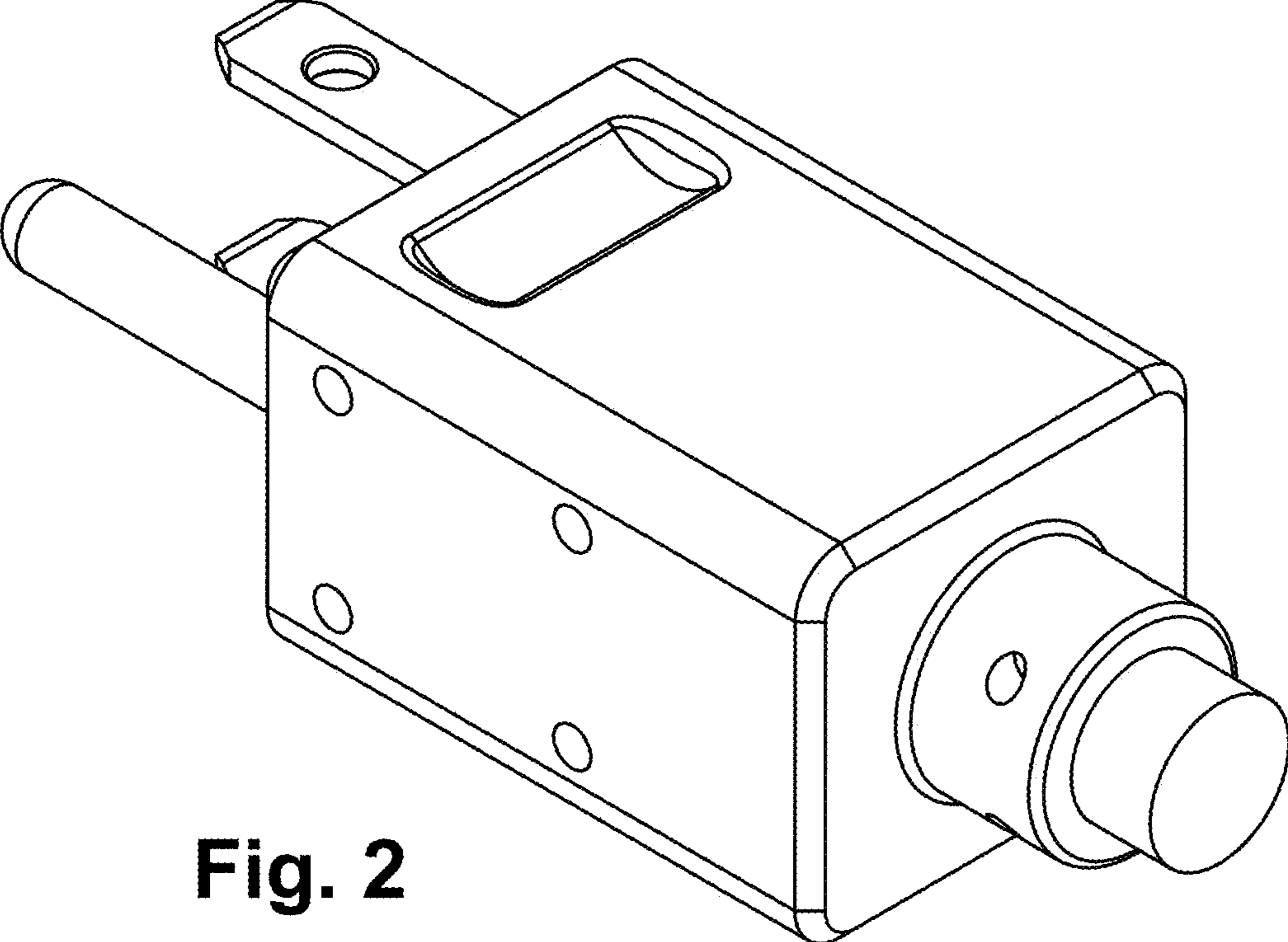


Fig. 2

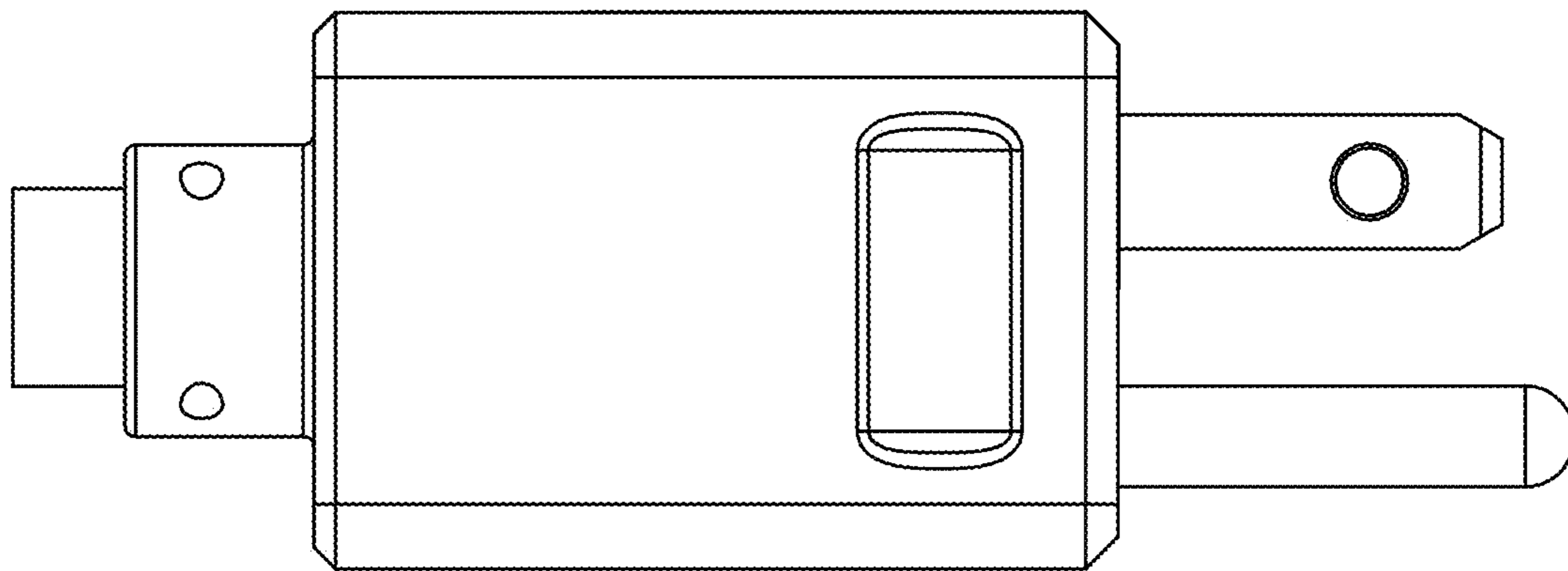


Fig. 3

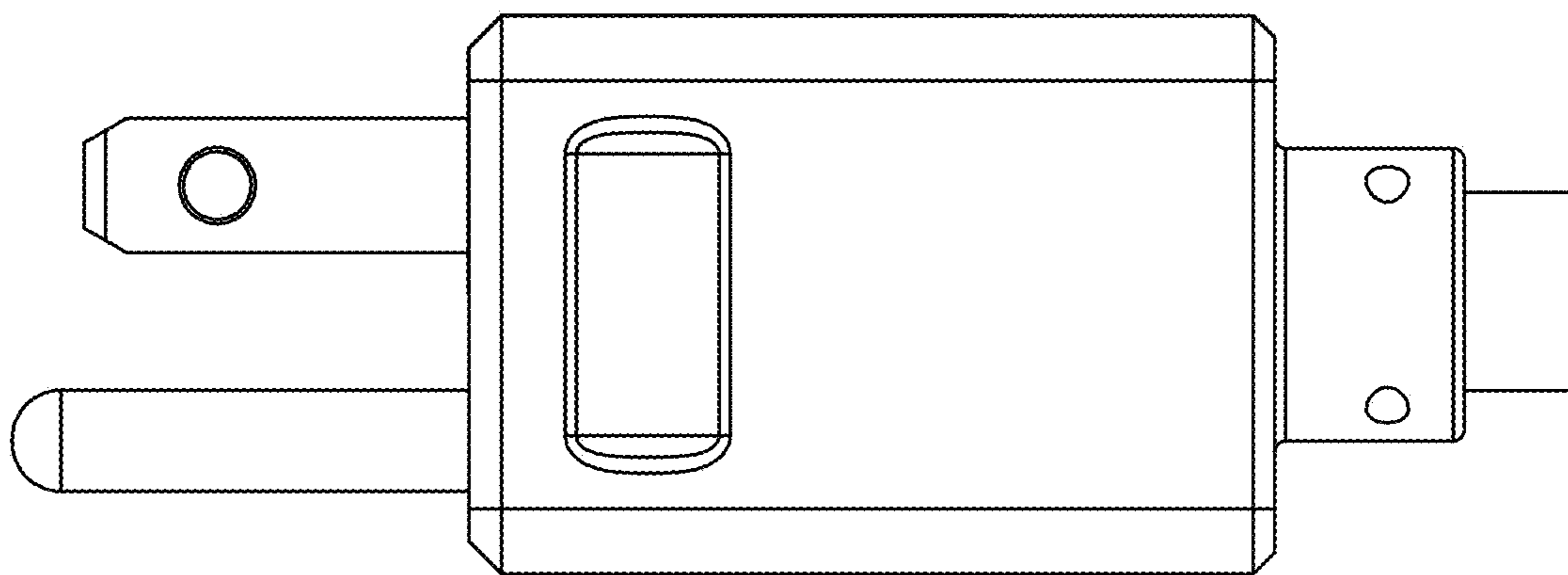


Fig. 4

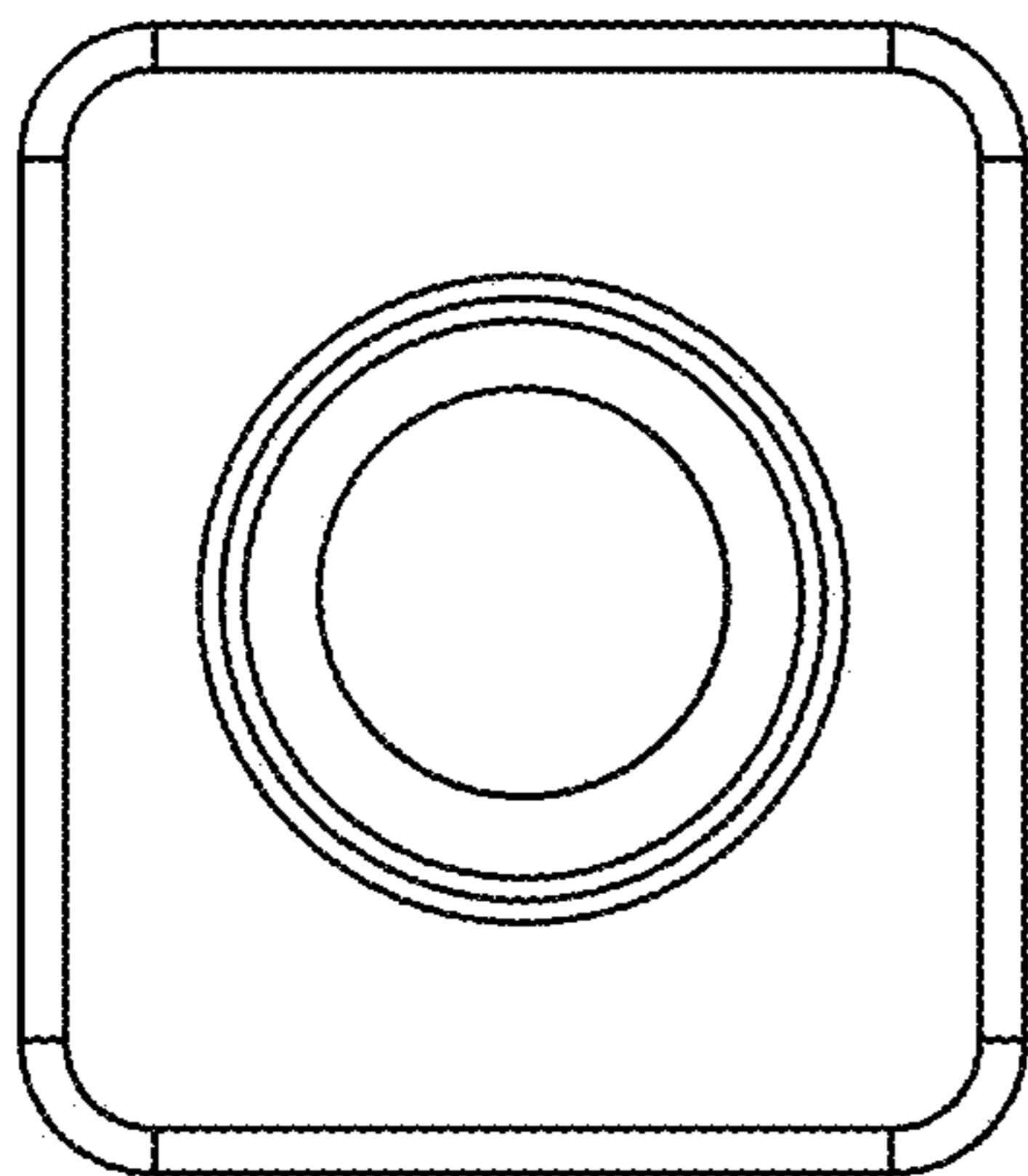


Fig. 5

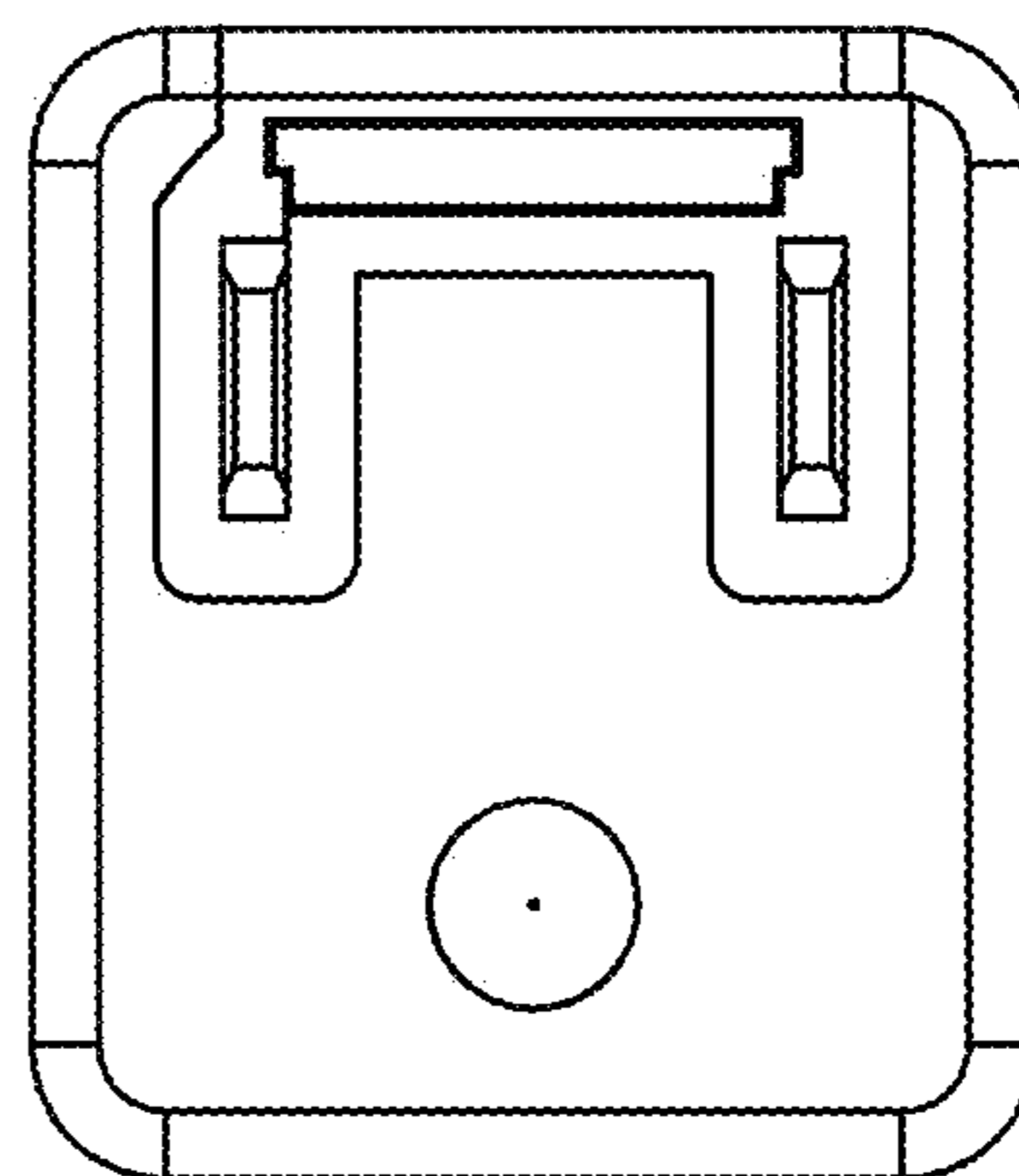


Fig. 6

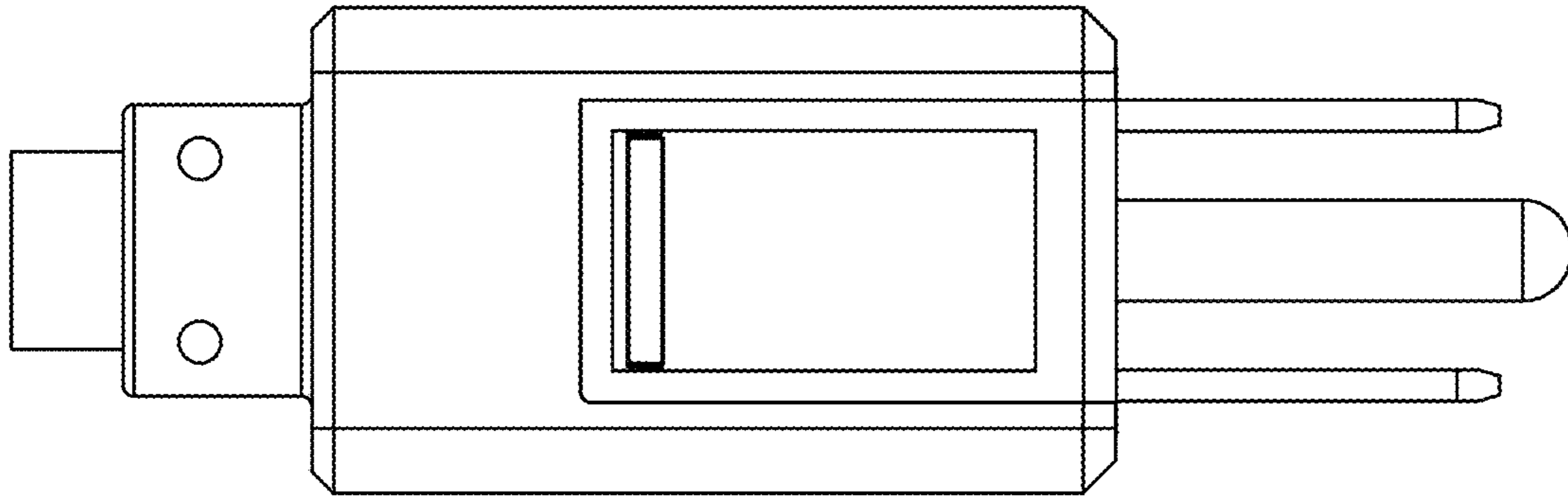


Fig. 7

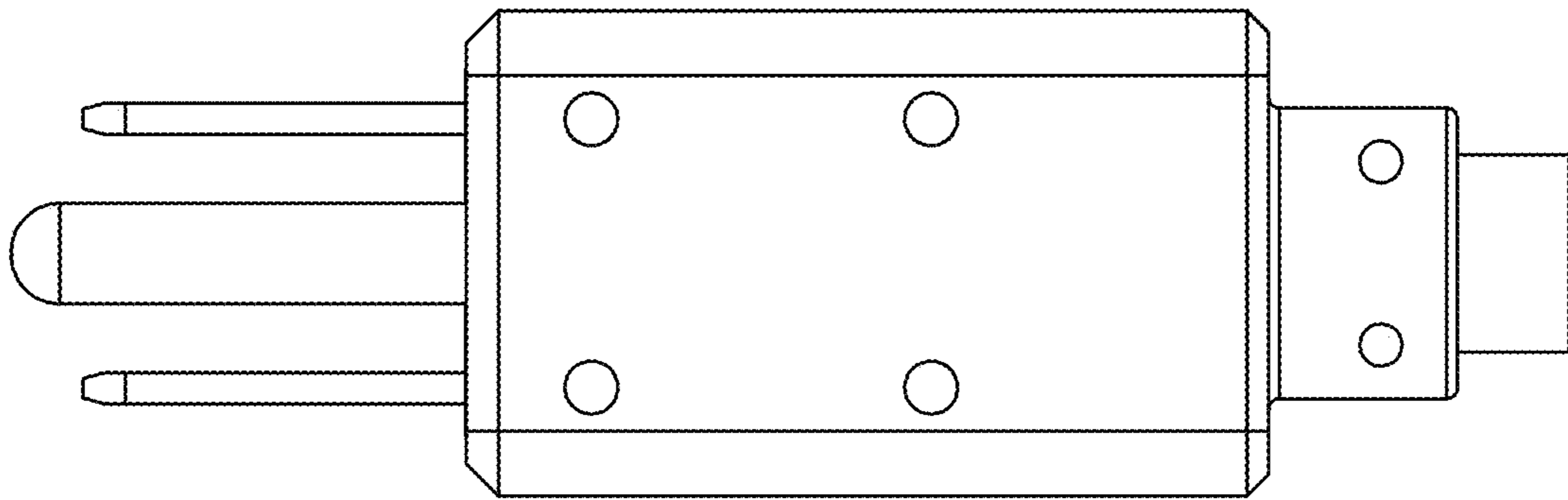


Fig. 8