



US00D934177S

(12) **United States Design Patent**
Canizares et al.

(10) **Patent No.:** **US D934,177 S**
(45) **Date of Patent:** **** Oct. 26, 2021**

(54) **PLUG ADAPTER**

(71) Applicant: **Amazon Technologies, Inc.**, Seattle, WA (US)

(72) Inventors: **Wilfrido Loor Canizares**, San Francisco, CA (US); **Christopher Green**, San Francisco, CA (US); **Marc Rene Walliser**, San Francisco, CA (US)

(73) Assignee: **Amazon Technologies, Inc.**, Seattle, WA (US)

(**) Term: **15 Years**

(21) Appl. No.: **29/762,689**

(22) Filed: **Dec. 17, 2020**

Related U.S. Application Data

(62) Division of application No. 29/722,916, filed on Mar. 2, 2020, now Pat. No. Des. 911,969, which is a division of application No. 29/600,473, filed on Apr. 12, 2017, now Pat. No. Des. 874,403.

(51) **LOC (13) Cl.** **13-03**

(52) **U.S. Cl.**
USPC **D13/137.2**

(58) **Field of Classification Search**
USPC D13/137.1–137.4, 138.1–138.2,
D13/139.1–139.8

CPC H01R 25/00; H01R 25/006; H01R 11/00;
H01R 9/00; H01R 13/6675; H01R 13/10;
H01R 13/44; H01R 13/66; H01R 13/652;
H01R 31/065; H01R 31/00; H01H
2207/00; H01H 2207/022

See application file for complete search history.

(56) **References Cited**

U.S. PATENT DOCUMENTS

D442,550 S 5/2001 Tong et al.
D547,271 S 7/2007 Ng

D623,595 S 9/2010 Ruffner
D657,314 S 4/2012 Ruffner
D665,354 S 8/2012 Chen et al.
D680,953 S 4/2013 Kuo
D687,375 S 8/2013 Franco et al.
D750,022 S 2/2016 Lin
D751,038 S 3/2016 Lin
D755,127 S 5/2016 Wong
D756,303 S 5/2016 Kellenberger et al.
D758,312 S 6/2016 Lin
D763,795 S 8/2016 Xu
D763,796 S 8/2016 Xu
D775,588 S 1/2017 Xu
D788,709 S 6/2017 Yeo
D791,076 S 7/2017 Kim et al.
D799,422 S 10/2017 Chen
D804,412 S 12/2017 Huang et al.
D807,295 S 1/2018 Xu
D808,903 S 1/2018 Koenig

(Continued)

Primary Examiner — Christy Nemeth

(74) *Attorney, Agent, or Firm* — Lee & Hayes, P.C.

(57) **CLAIM**

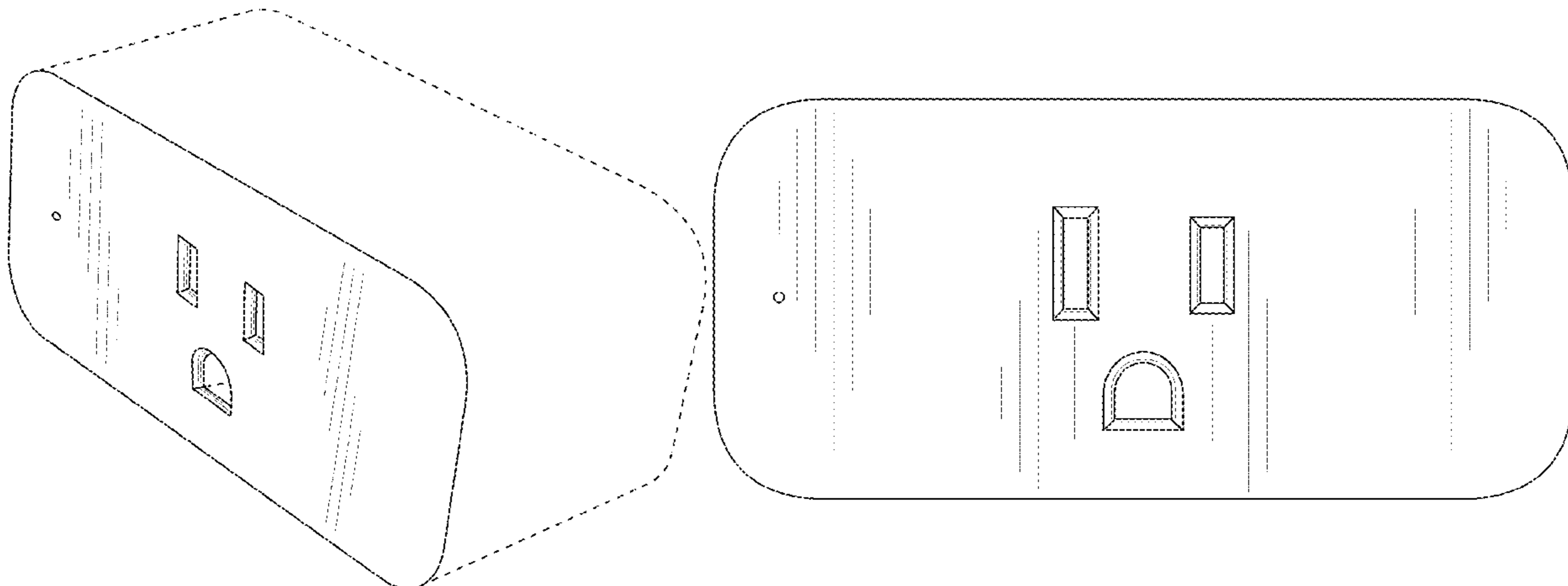
The ornamental design for a plug adapter, as shown and described.

DESCRIPTION

FIG. 1 is a top, back perspective view of a plug adapter; FIG. 2 is a top, front perspective view thereof; FIG. 3 is a front view thereof; FIG. 4 is a back view thereof; FIG. 5 is a left-side view thereof; FIG. 6 is a right-side view thereof; FIG. 7 is a top view thereof; and, FIG. 8 is a bottom view thereof.

The broken lines shown in the drawings depict portions of the plug adapter that form no part of the claimed design.

1 Claim, 8 Drawing Sheets



(56)

References Cited

U.S. PATENT DOCUMENTS

D816,614 S 5/2018 An
 D819,570 S 6/2018 Zhong
 D820,212 S 6/2018 Stern
 D825,458 S 8/2018 Nauroy
 D826,159 S 8/2018 Tao
 D826,162 S 8/2018 Byrne et al.
 D826,858 S 8/2018 Little
 D826,859 S 8/2018 Little
 D829,663 S 10/2018 Liu
 D830,307 S 10/2018 Liu
 D832,215 S 10/2018 Xu
 D835,042 S 12/2018 Qiu et al.
 D835,043 S 12/2018 Liao et al.
 D836,542 S 12/2018 Xu
 D836,555 S 12/2018 Xu
 D838,245 S 1/2019 Lin
 D842,804 S 3/2019 Tong
 D843,943 S * 3/2019 Yang D13/137.2
 D845,900 S * 4/2019 Liu D13/137.2
 D848,947 S 5/2019 Liu
 D848,948 S * 5/2019 Wei D13/137.2
 D849,687 S 5/2019 Dai

D851,035 S 6/2019 Hong
 D851,597 S 6/2019 Ding
 D852,132 S 6/2019 Nauroy
 D852,138 S 6/2019 Wen et al.
 D852,139 S 6/2019 Wen et al.
 D852,140 S 6/2019 Chen
 D855,571 S 8/2019 Zeng
 D856,933 S 8/2019 Lin
 D856,934 S 8/2019 Levy et al.
 D861,613 S * 10/2019 Dai D13/137.2
 D862,388 S 10/2019 Qiu et al.
 D867,996 S * 11/2019 Chen D13/137.2
 D869,398 S * 12/2019 Wang D13/137.3
 D872,695 S 1/2020 Bo
 D874,403 S * 2/2020 Canizares D13/137.2
 D878,300 S 3/2020 Lyu
 D879,711 S 3/2020 Ruiwu
 D883,217 S * 5/2020 Zheng D13/137.1
 D892,735 S 8/2020 Zhang
 D897,957 S 10/2020 Yang
 D903,601 S * 12/2020 Tseng D13/137.2
 D908,092 S * 1/2021 Jiang D13/137.4
 D911,969 S * 3/2021 Canizares D13/137.2
 D923,576 S * 6/2021 Lyu D13/137.2
 D924,805 S * 7/2021 Luo D13/137.2

* cited by examiner

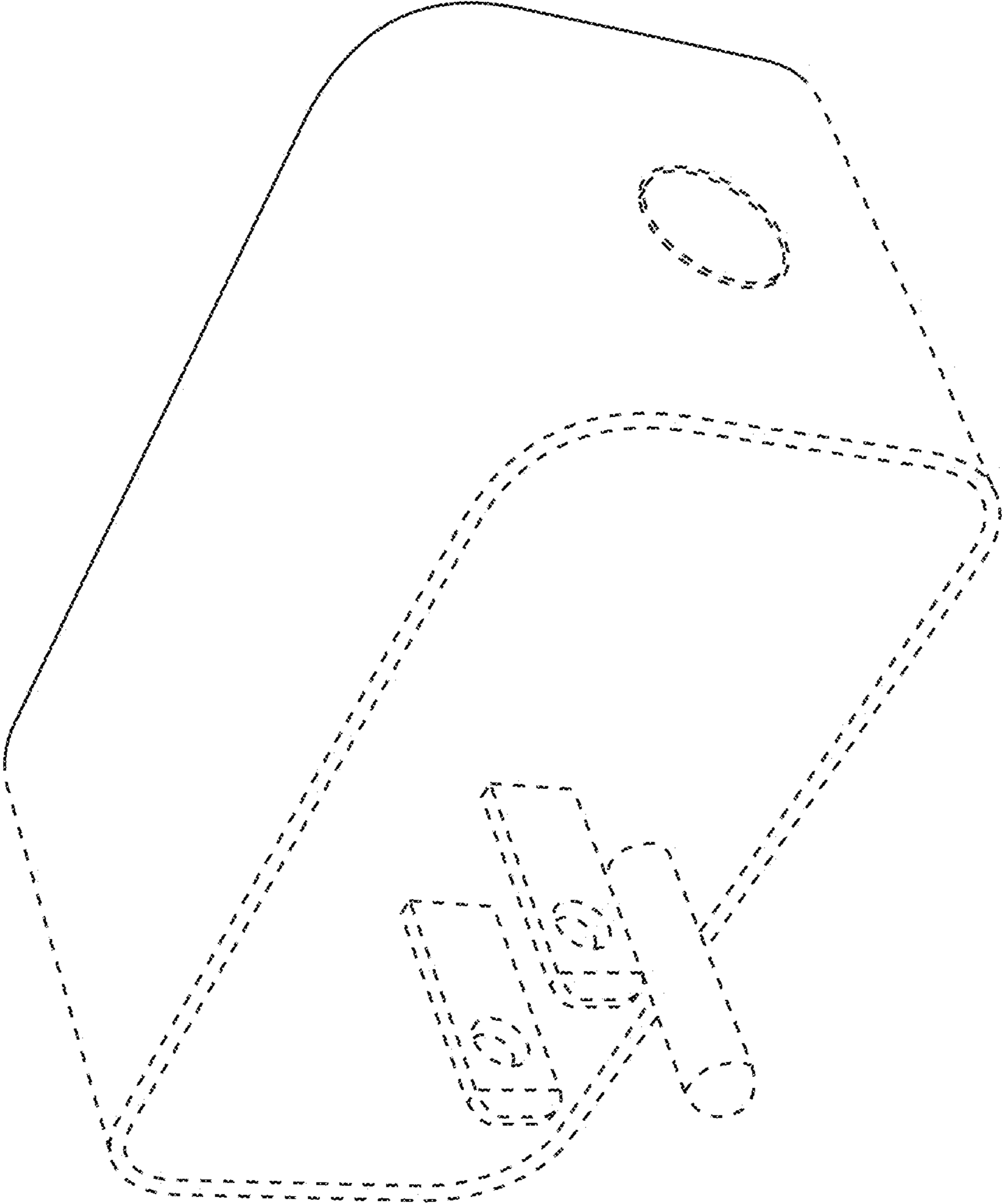


FIG. 1

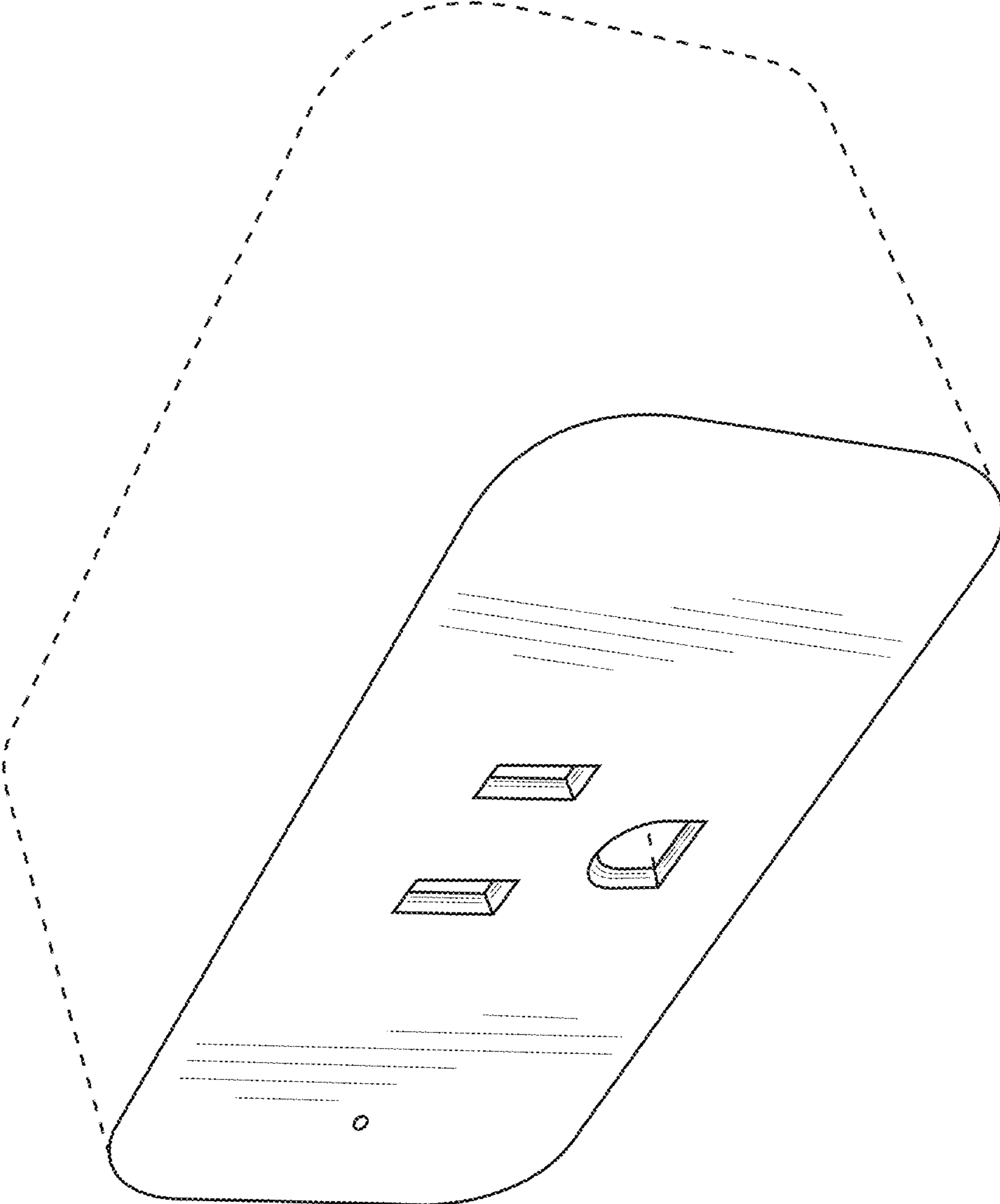


FIG. 2

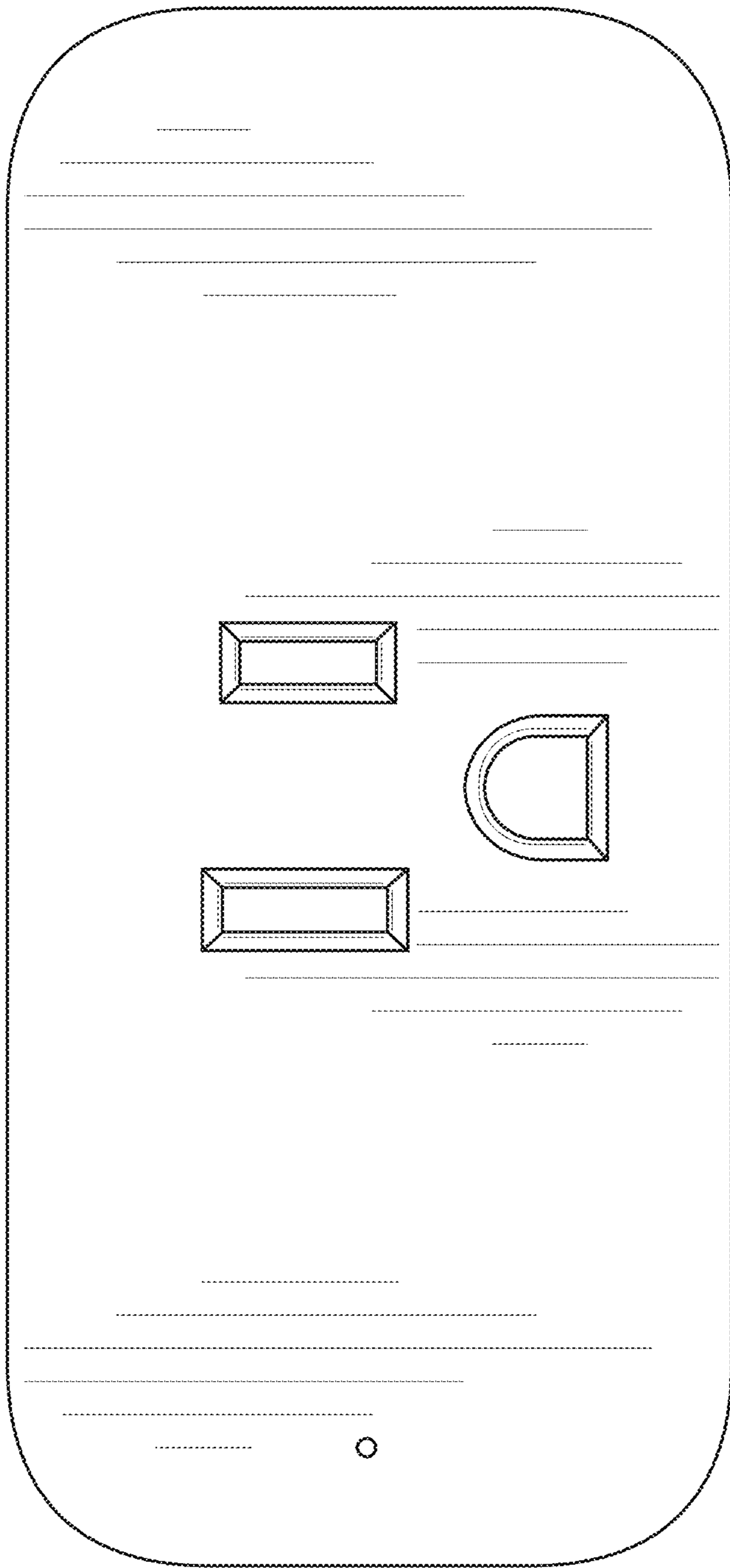


FIG. 3

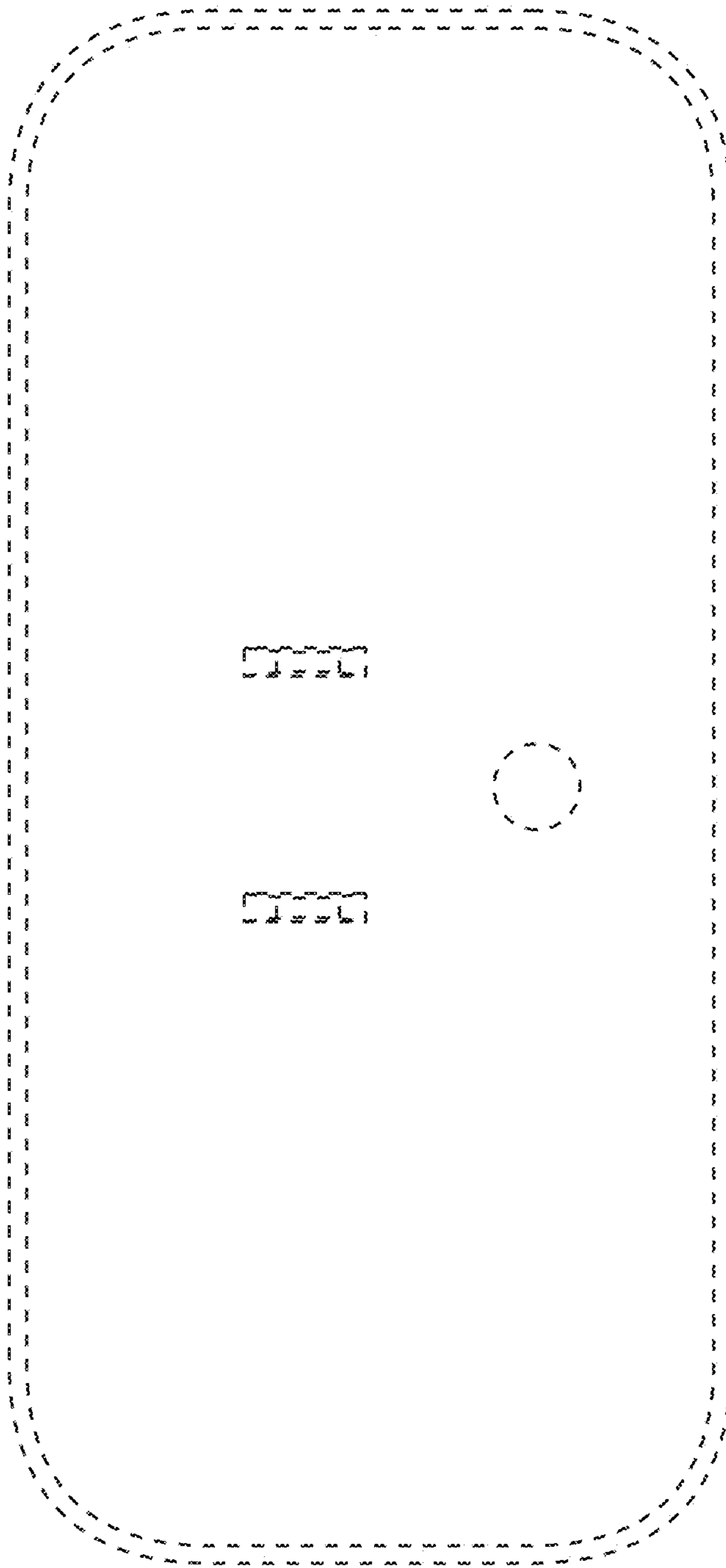


FIG. 4

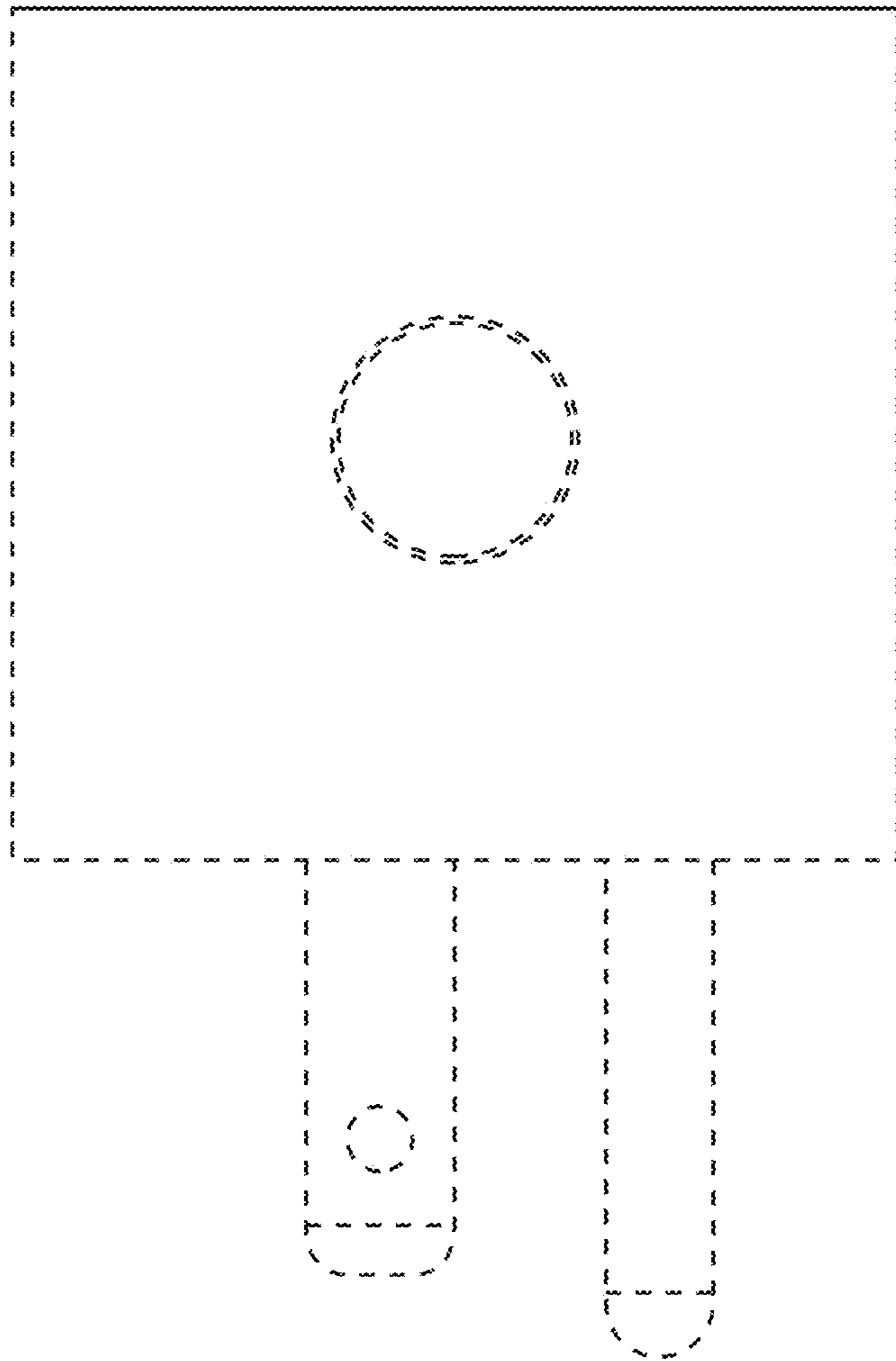


FIG. 5

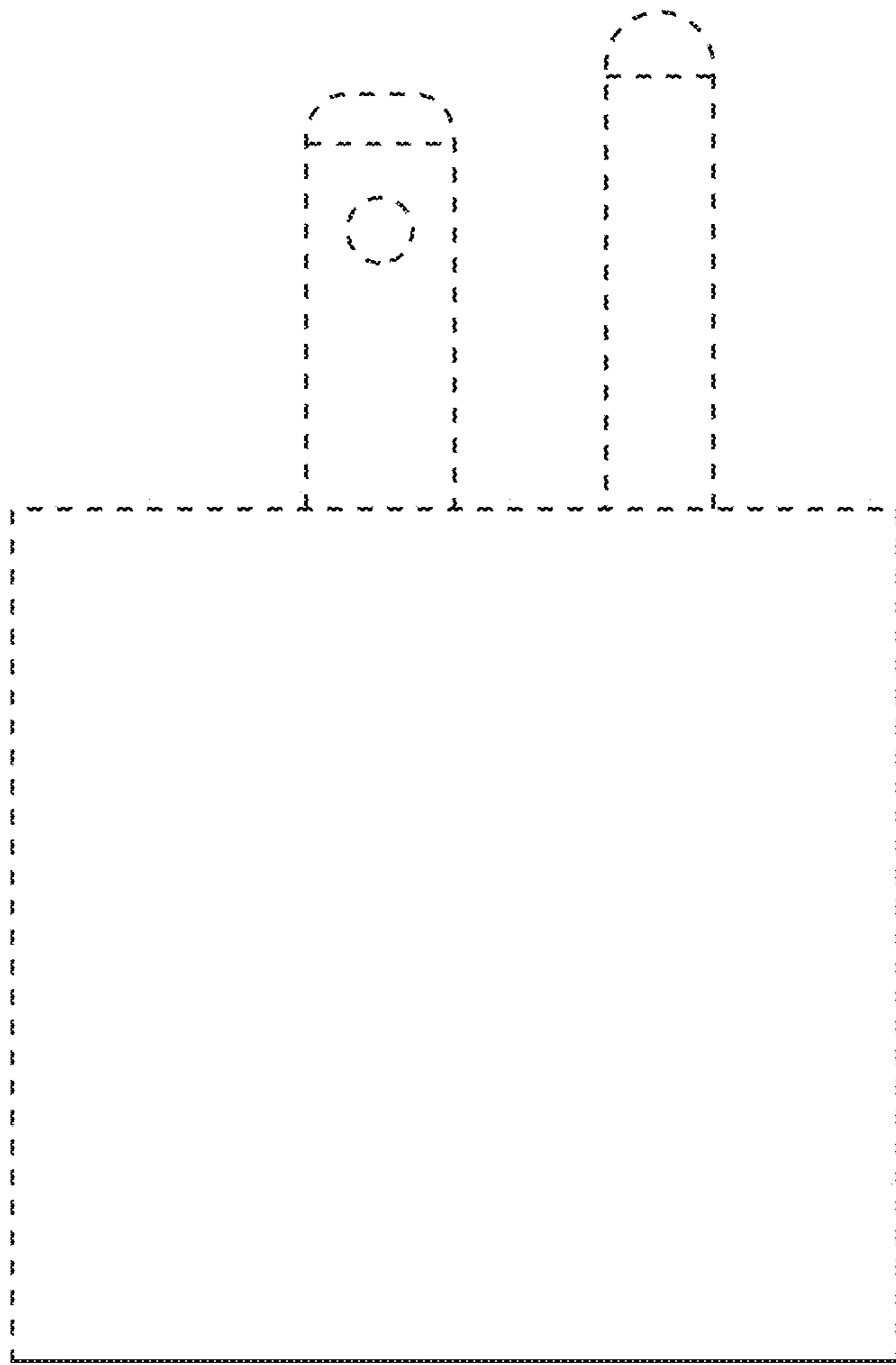


FIG. 6

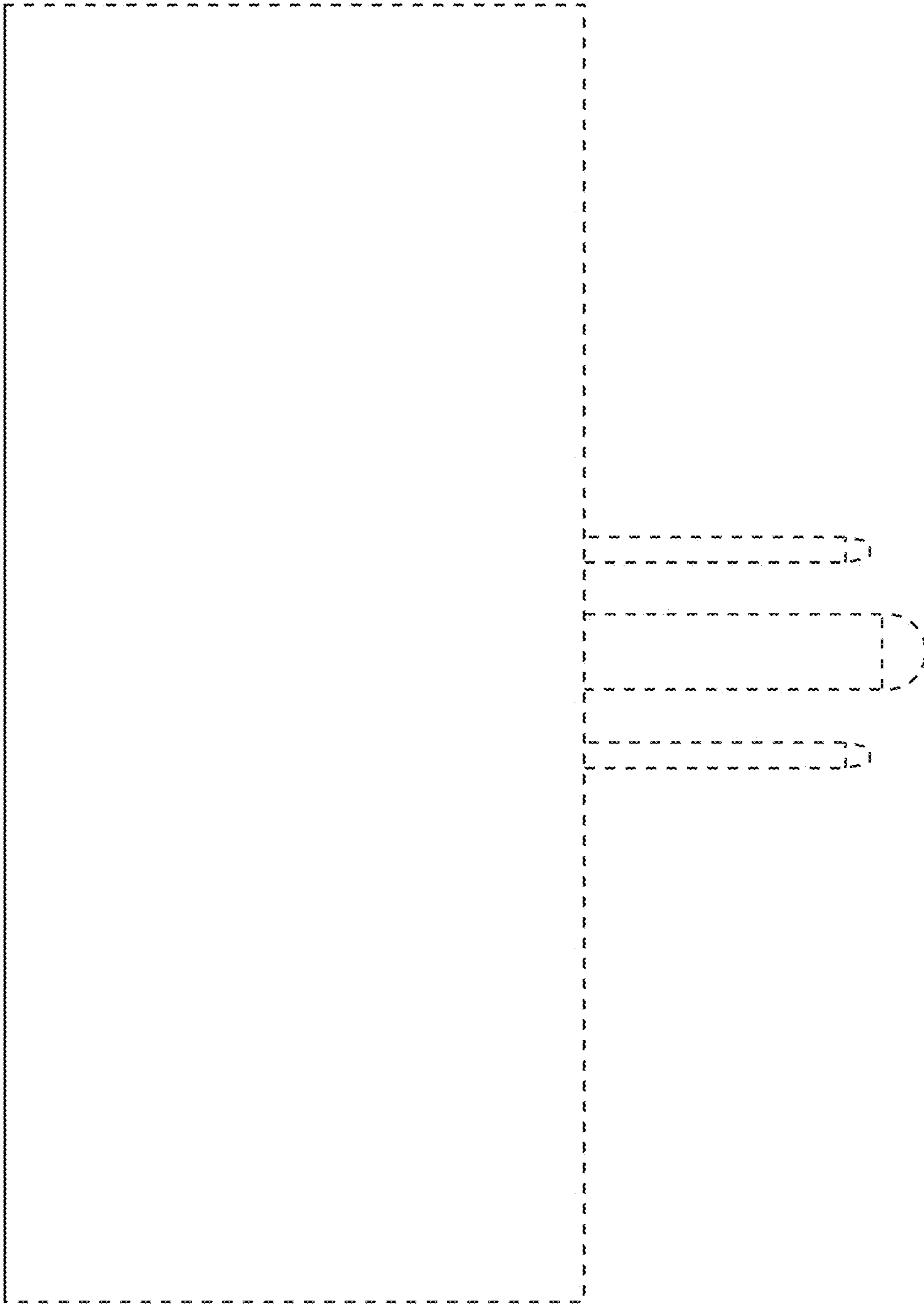


FIG. 7

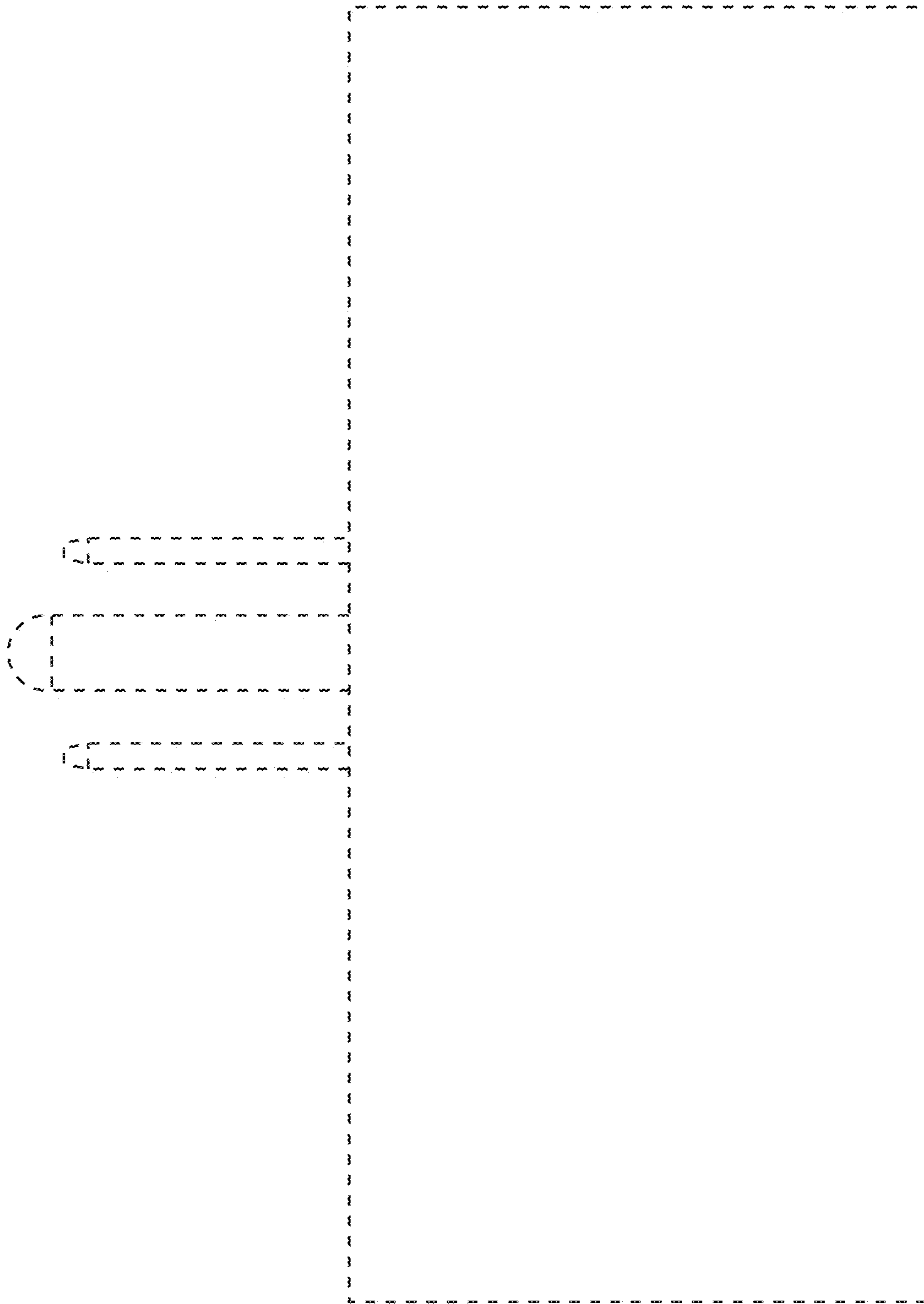


FIG. 8