



US00D934175S

(12) **United States Design Patent** (10) **Patent No.:** **US D934,175 S**  
**Widdows** (45) **Date of Patent:** **\*\* Oct. 26, 2021**

(54) **ELECTRICAL CONNECTOR**

(71) Applicant: **STARLEAF LTD**, London (GB)

(72) Inventor: **Jamie Kevin Widdows**, Cambridge (GB)

(73) Assignee: **STARLEAF LTD**, London (GB)

(\*\*) Term: **15 Years**

(21) Appl. No.: **29/700,222**

(22) Filed: **Jul. 31, 2019**

(30) **Foreign Application Priority Data**

Feb. 1, 2019 (EM) ..... 006147690

(51) **LOC (13) Cl.** ..... **13-03**

(52) **U.S. Cl.**  
USPC ..... **D13/133; D13/146**

(58) **Field of Classification Search**  
USPC ..... D14/432, 433, 435, 435.1, 436, 439,  
D14/480.1–480.7, 474, 483, 484.1,  
(Continued)

(56) **References Cited**

**U.S. PATENT DOCUMENTS**

D415,143 S \* 10/1999 Roberts ..... D13/146  
D415,144 S \* 10/1999 Roberts ..... D13/147  
(Continued)

**OTHER PUBLICATIONS**

“Video conferencing provider StarLeaf releases Pronto cable solution for instant access to video conferences,” StarLeaf Pronto cable pictured therein, online, post date Mar. 11, 2019, URL: [https://channelbuzz.ca/2019/03/video-conferencing-provider-starleaf-releases-pronto-cable-solution-for-instant-access-to-video-co.\\*](https://channelbuzz.ca/2019/03/video-conferencing-provider-starleaf-releases-pronto-cable-solution-for-instant-access-to-video-co.*)

(Continued)

*Primary Examiner* — Rebekah A Caruso

(74) *Attorney, Agent, or Firm* — Knobbe, Martens, Olson & Bear, LLP

(57) **CLAIM**

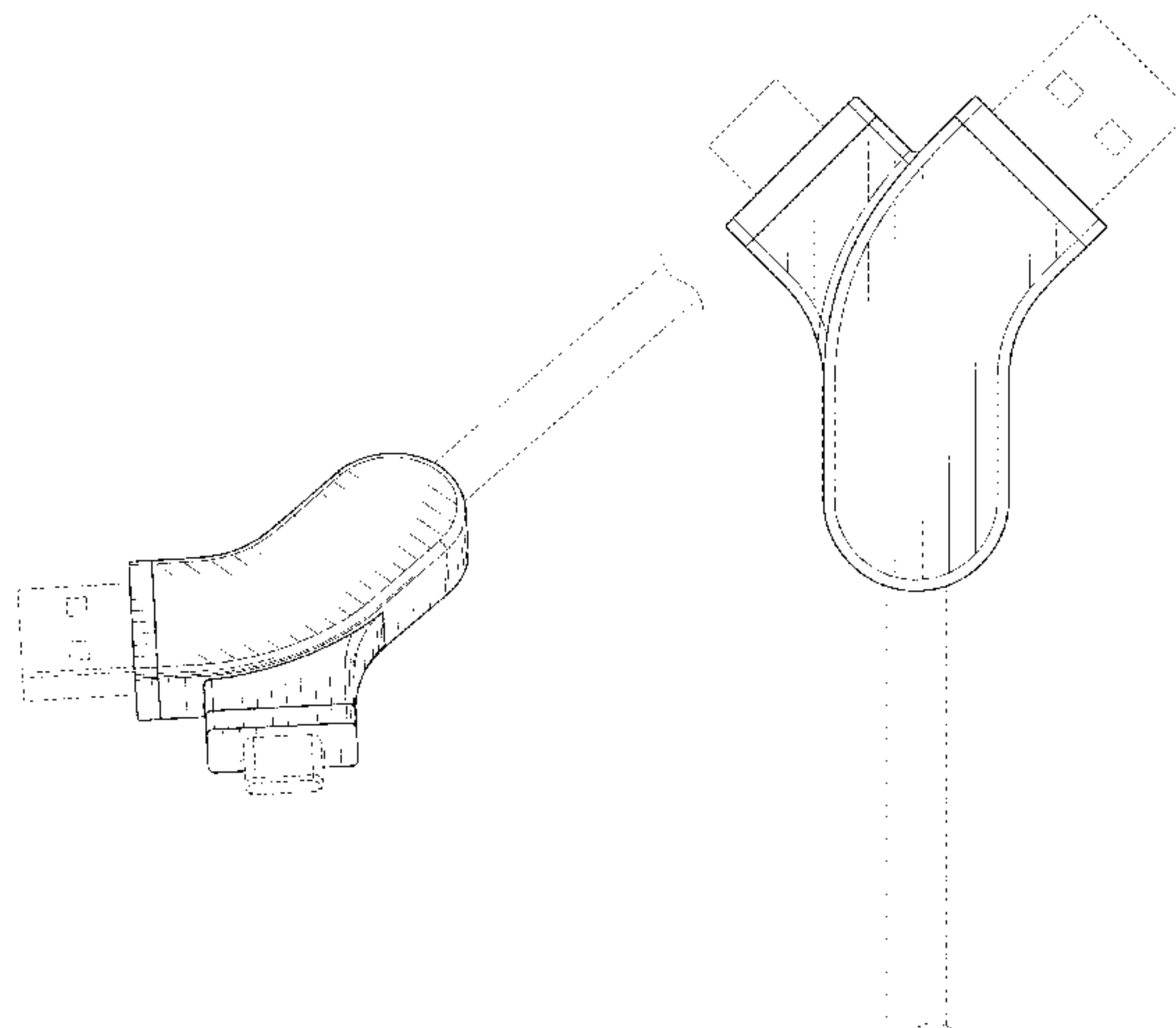
The ornamental design for an electrical connector, as shown and described.

**DESCRIPTION**

FIG. 1 is front perspective view of a first embodiment of an electrical connector showing my new design; FIG. 2 is a front perspective view thereof; FIG. 3 is a front elevational view thereof; FIG. 4 is a left side elevational view thereof; FIG. 5 is a right side elevational view thereof; FIG. 6 is a top plan view thereof; and FIG. 7 is a bottom plan view thereof; FIG. 8 is front perspective view of a second embodiment of an electrical connector showing my new design; FIG. 9 is a front perspective view thereof; FIG. 10 is a front elevational view thereof; FIG. 11 is a left side elevational view thereof; FIG. 12 is a right side elevational view thereof; FIG. 13 is a top plan view thereof; and FIG. 14 is a bottom plan view thereof; FIG. 15 is front perspective view of a third embodiment of an electrical connector showing my new design; FIG. 16 is a front perspective view thereof; FIG. 17 is a front elevational view thereof; FIG. 18 is a left side elevational view thereof; FIG. 19 is a right side elevational view thereof; FIG. 20 is a top plan view thereof; and FIG. 21 is a bottom plan view thereof; FIG. 22 is front perspective view of a fourth embodiment of an electrical connector showing my new design; FIG. 23 is a front perspective view thereof; FIG. 24 is a front elevational view thereof; FIG. 25 is a left side elevational view thereof; FIG. 26 is a right side elevational view thereof; FIG. 27 is a top plan view thereof; and FIG. 28 is a bottom plan view thereof.

The broken lines in the views illustrate portions of the electrical connector and its environment that form no part of the claimed design. Additional broken lines in FIGS. 22-28

(Continued)



depicting the phrase “StarLeaf” and the leaf logo on the surface of the electrical connector form no part of the claimed design. The two shades of grayscale used in FIGS. 15-21 and the two types of stippled shading used in FIGS. 22-28 represent a contrast in appearance only and do not represent any particular color, material, texture or finish.

**1 Claim, 28 Drawing Sheets**

(58) **Field of Classification Search**

USPC ..... D14/203.1–203.6, 240, 242; D13/133,  
D13/146, 147, 153, 154  
CPC ..... H05K 5/0278; G06K 19/07732; H01R  
27/00; H01R 27/02; H01R 31/06  
See application file for complete search history.

(56) **References Cited**

U.S. PATENT DOCUMENTS

D438,510 S \* 3/2001 Leen ..... D13/146  
6,658,516 B2 \* 12/2003 Yao ..... G06F 13/385  
361/679.32

D719,918 S \* 12/2014 Yu ..... D13/147  
D736,151 S \* 8/2015 Dentzel ..... D13/108  
D770,974 S \* 11/2016 Dentzel ..... D13/108  
D777,110 S \* 1/2017 Ferretti ..... D13/146  
D783,541 S \* 4/2017 Minn ..... D13/153  
D861,618 S \* 10/2019 Zhu ..... D13/153  
D884,639 S \* 5/2020 Jhun ..... D13/133  
D890,702 S \* 7/2020 Jhun ..... D13/133  
D890,761 S \* 7/2020 Borthne-Trygslund .....  
D14/435.1

OTHER PUBLICATIONS

3way connector head to USB-A—Branded by Cafele; <https://www.amazon.com.uk>; downloaded on Feb. 14, 2018.  
3way cable split to USB-A—Generic/unbranded product shown in the image; <https://www.amazon.com.uk>; downloaded on Mar. 16, 2018.  
Crestron Mercury multihead—Branded by Crestron; <https://www.crestron.com/Products/Workspace-Solutions/All-In-One-Meeting-Solutions/Crestron-Mercury-Accessories/CBL-MULTI-HD-6>; downloaded before Jul. 31, 2019.

\* cited by examiner

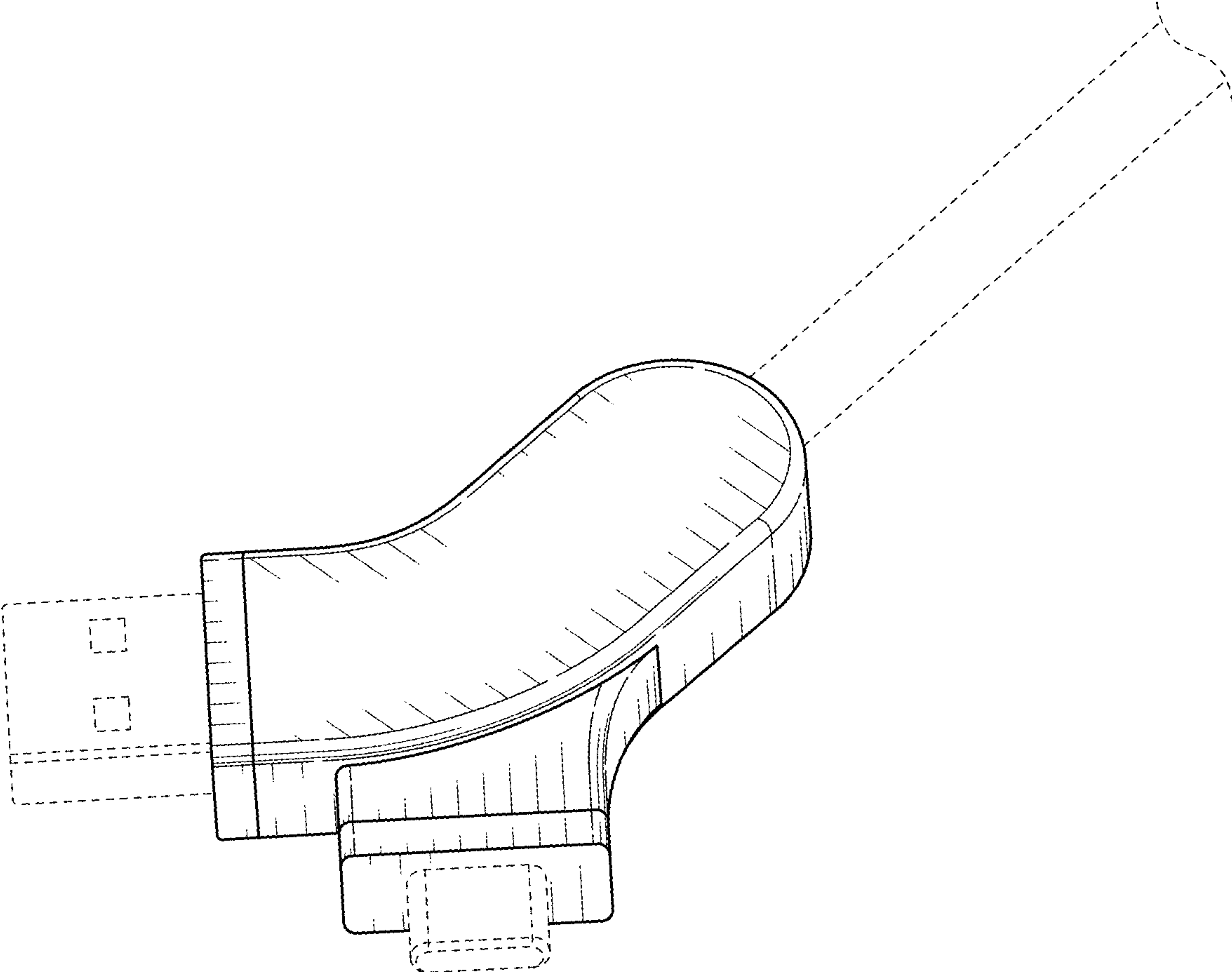


FIG. 1

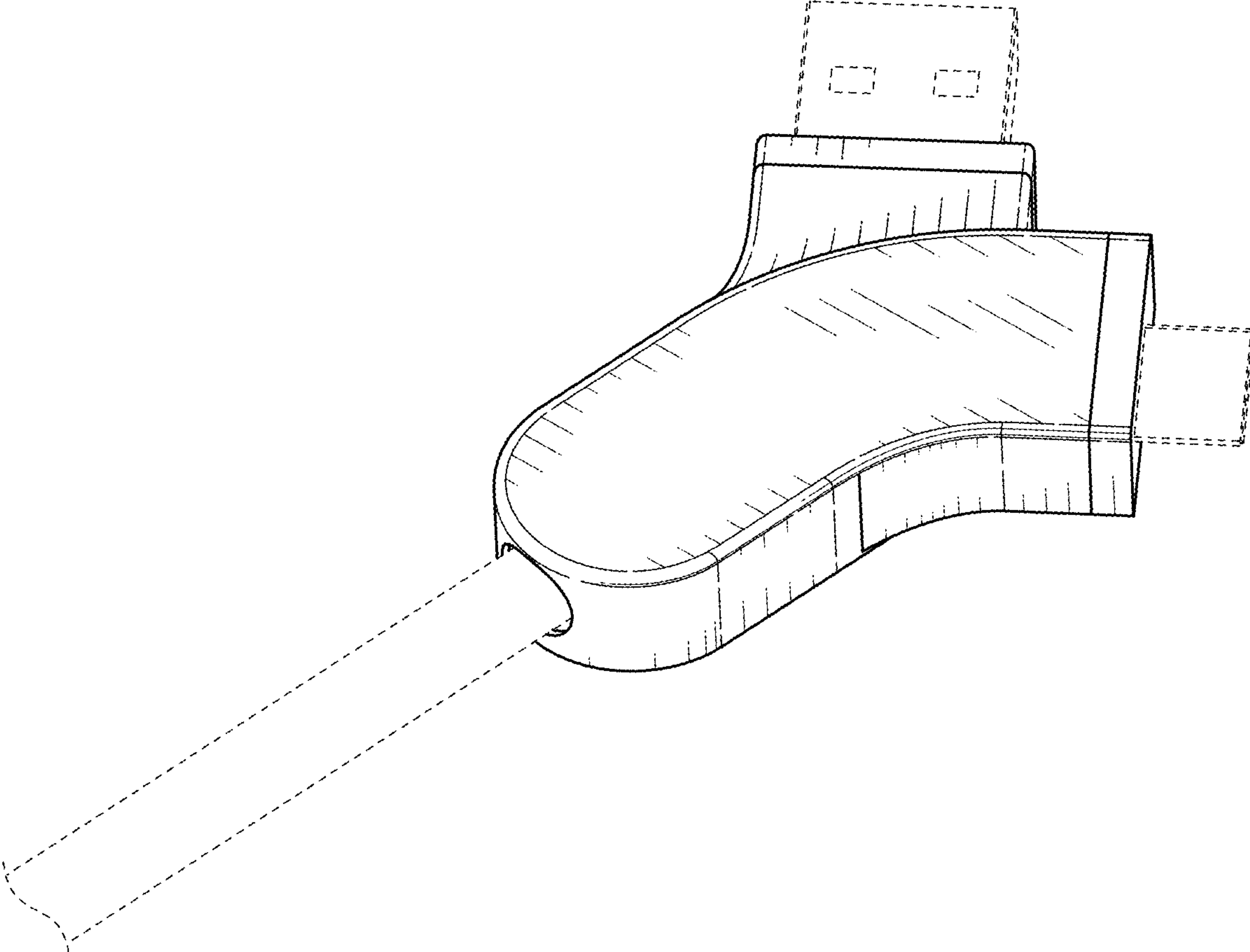


FIG. 2

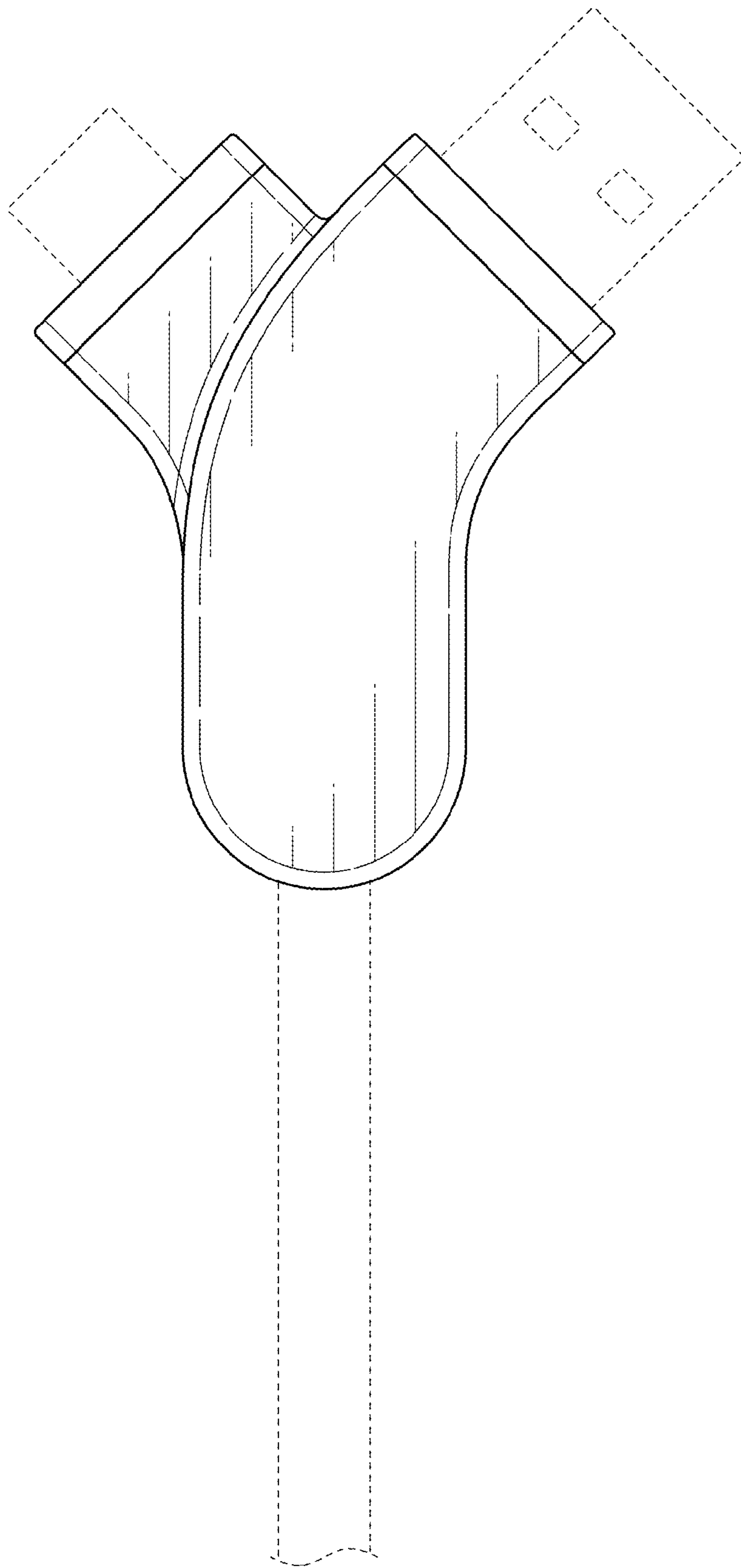


FIG. 3

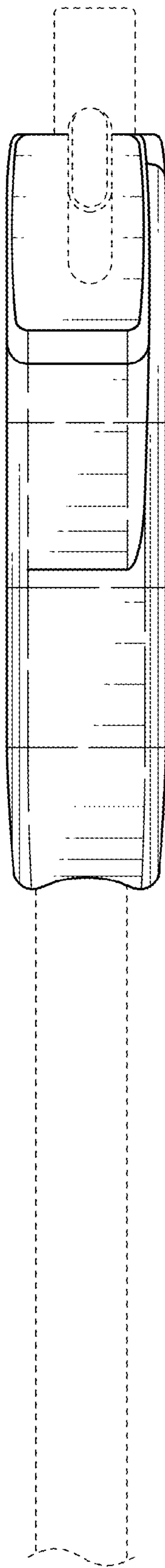


FIG. 4



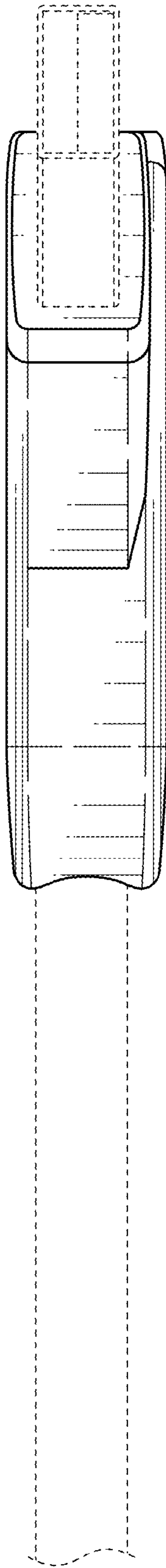


FIG. 5

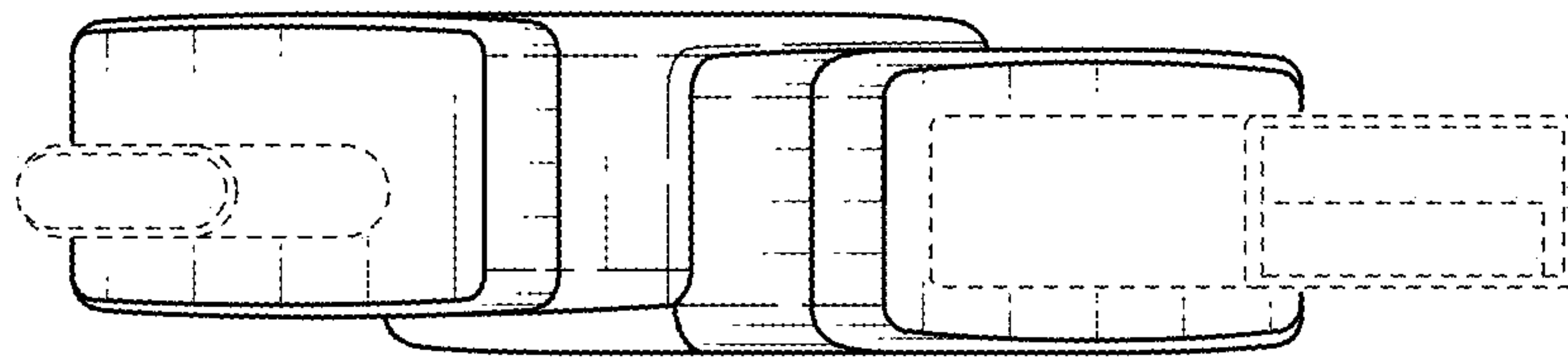


FIG. 6



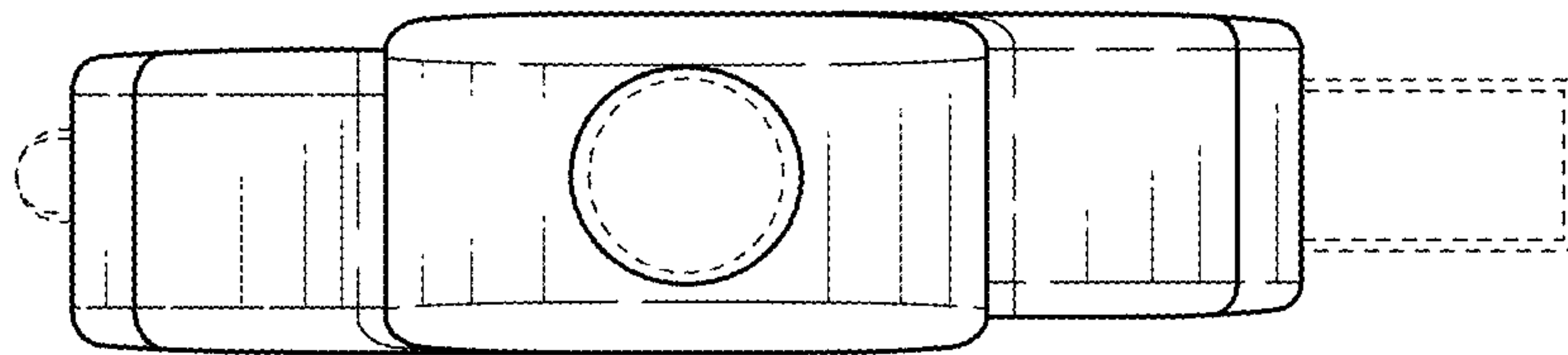


FIG. 7

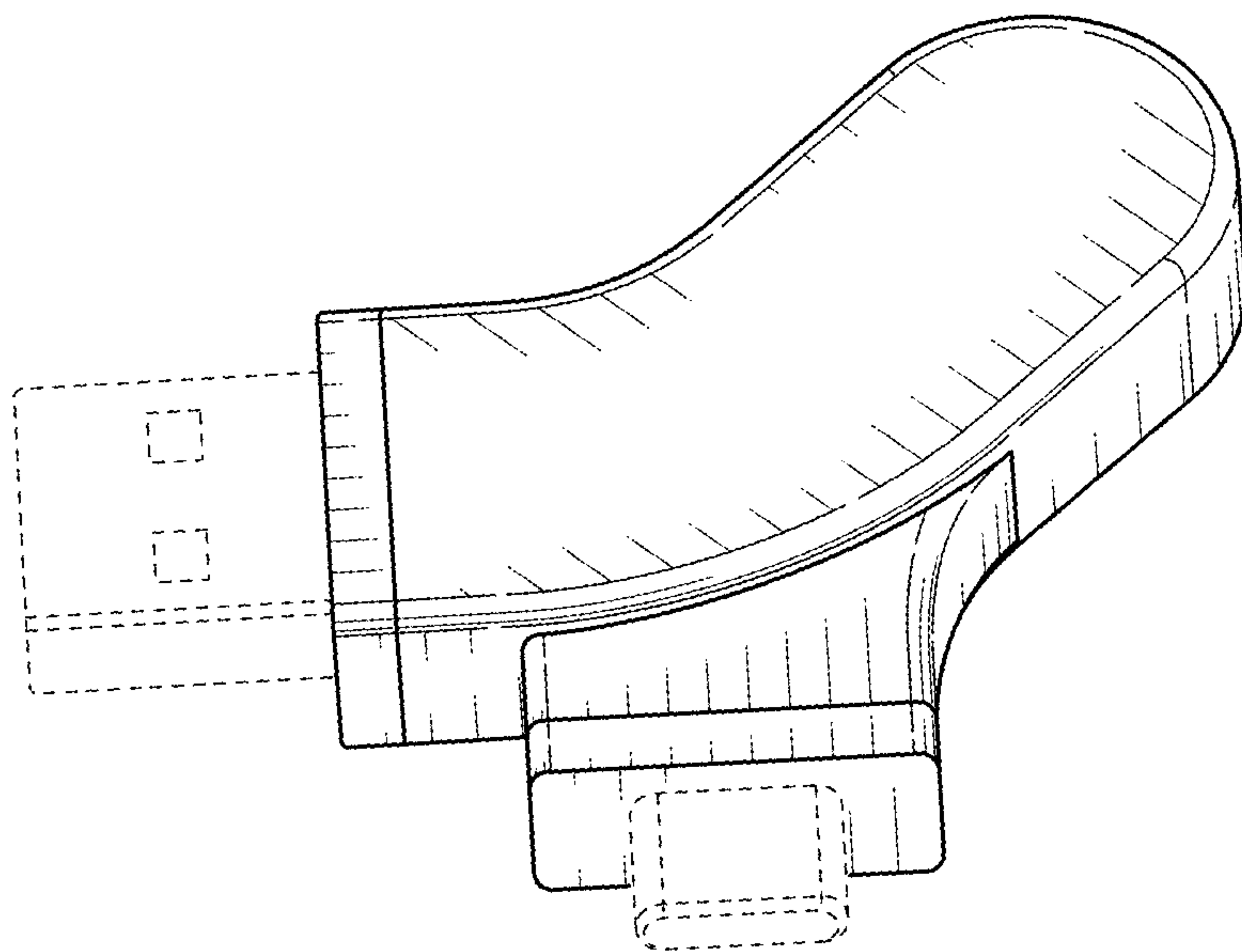


FIG. 8

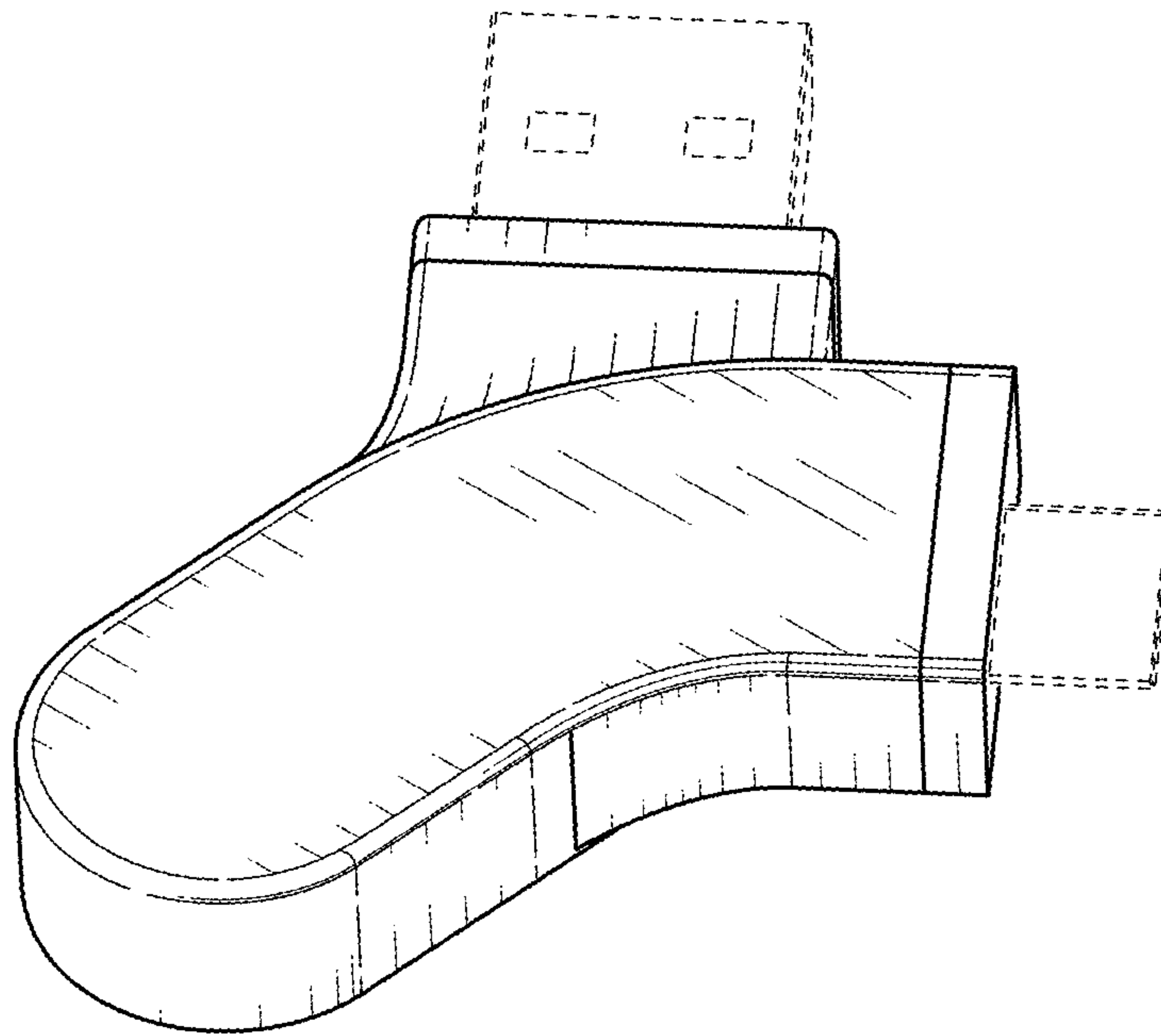


FIG. 9

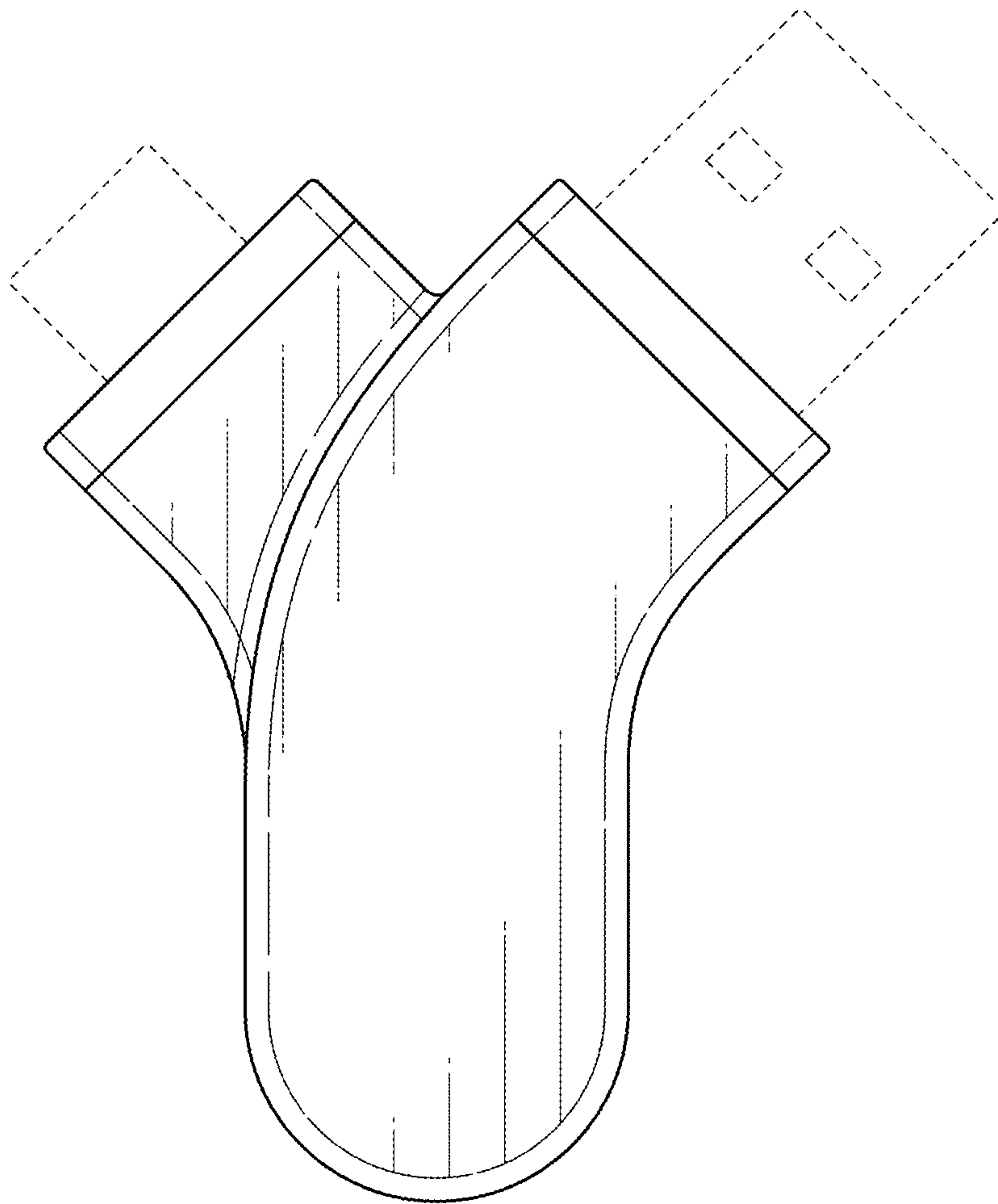


FIG. 10

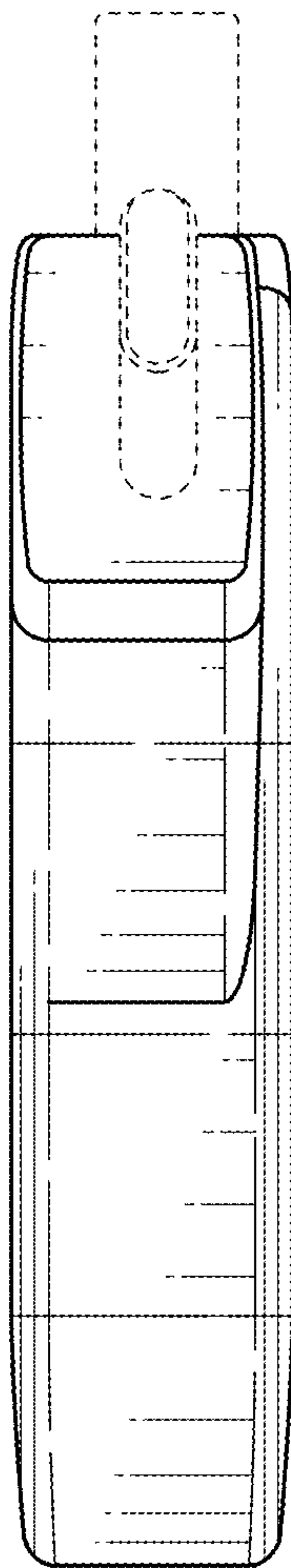


FIG. 11

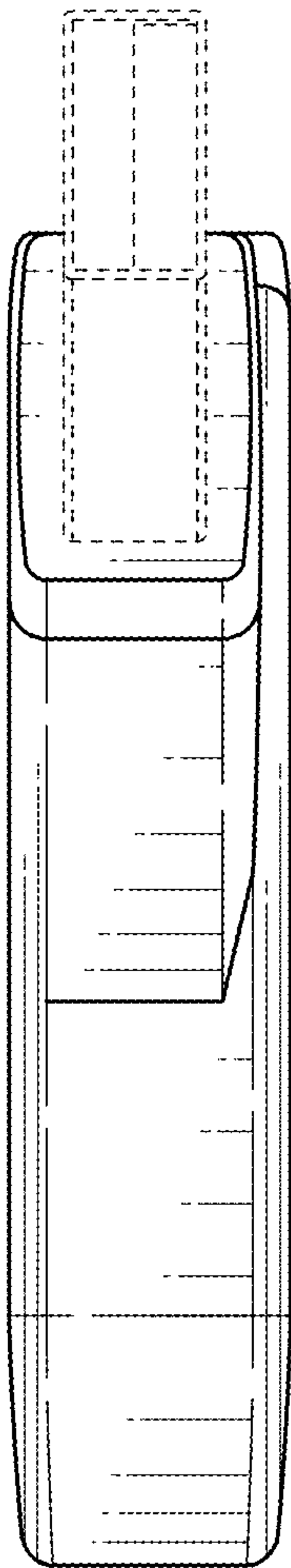


FIG. 12

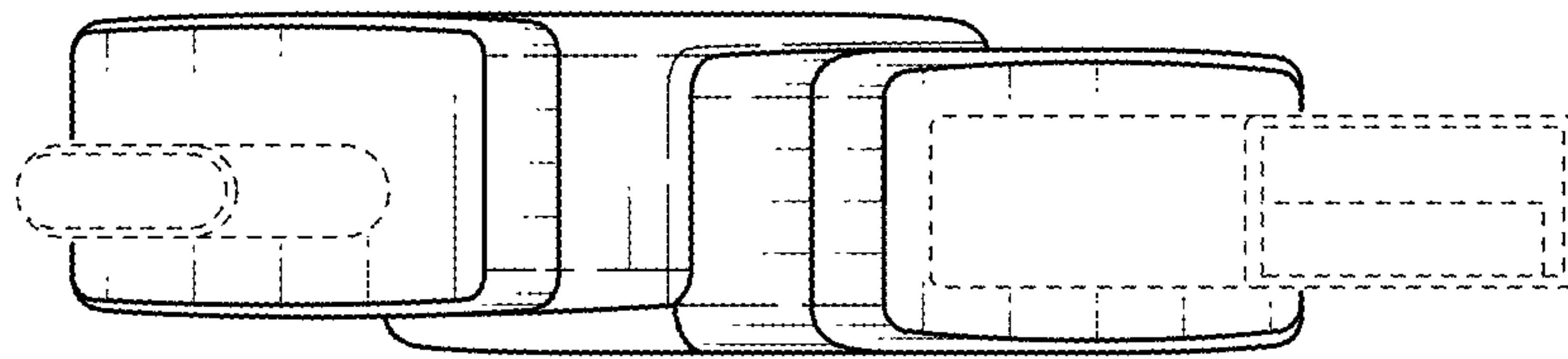


FIG. 13



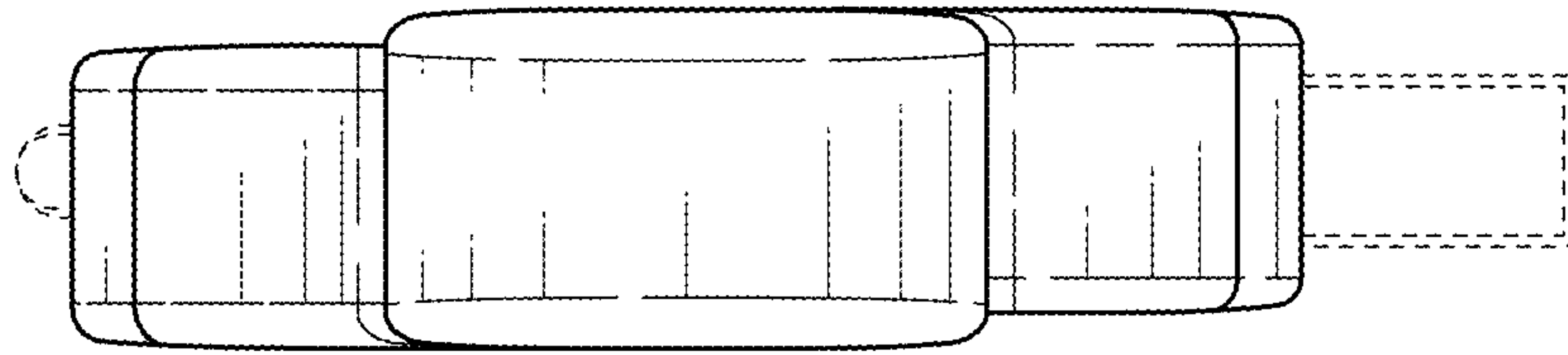


FIG. 14

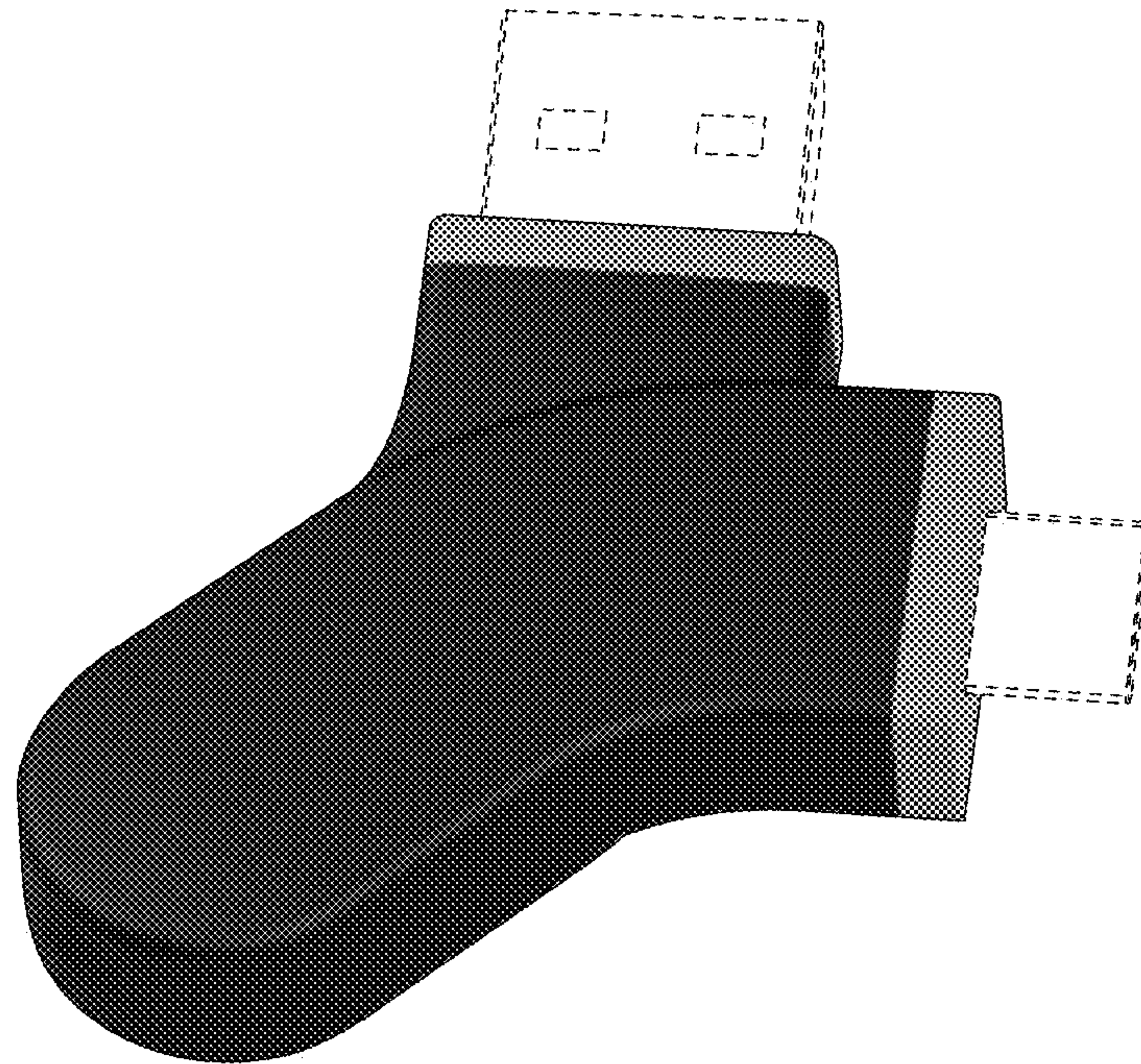


FIG. 15

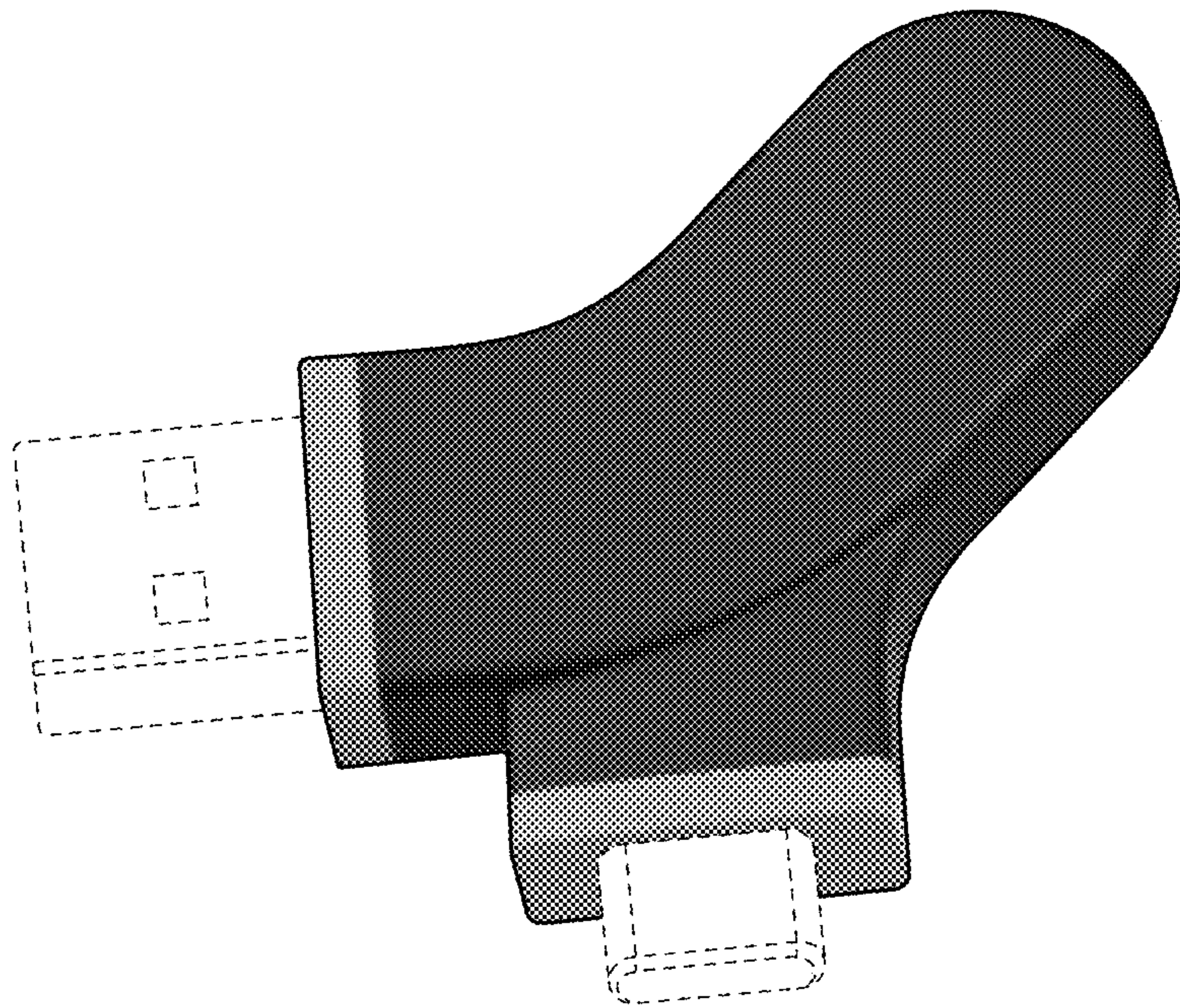


FIG. 16

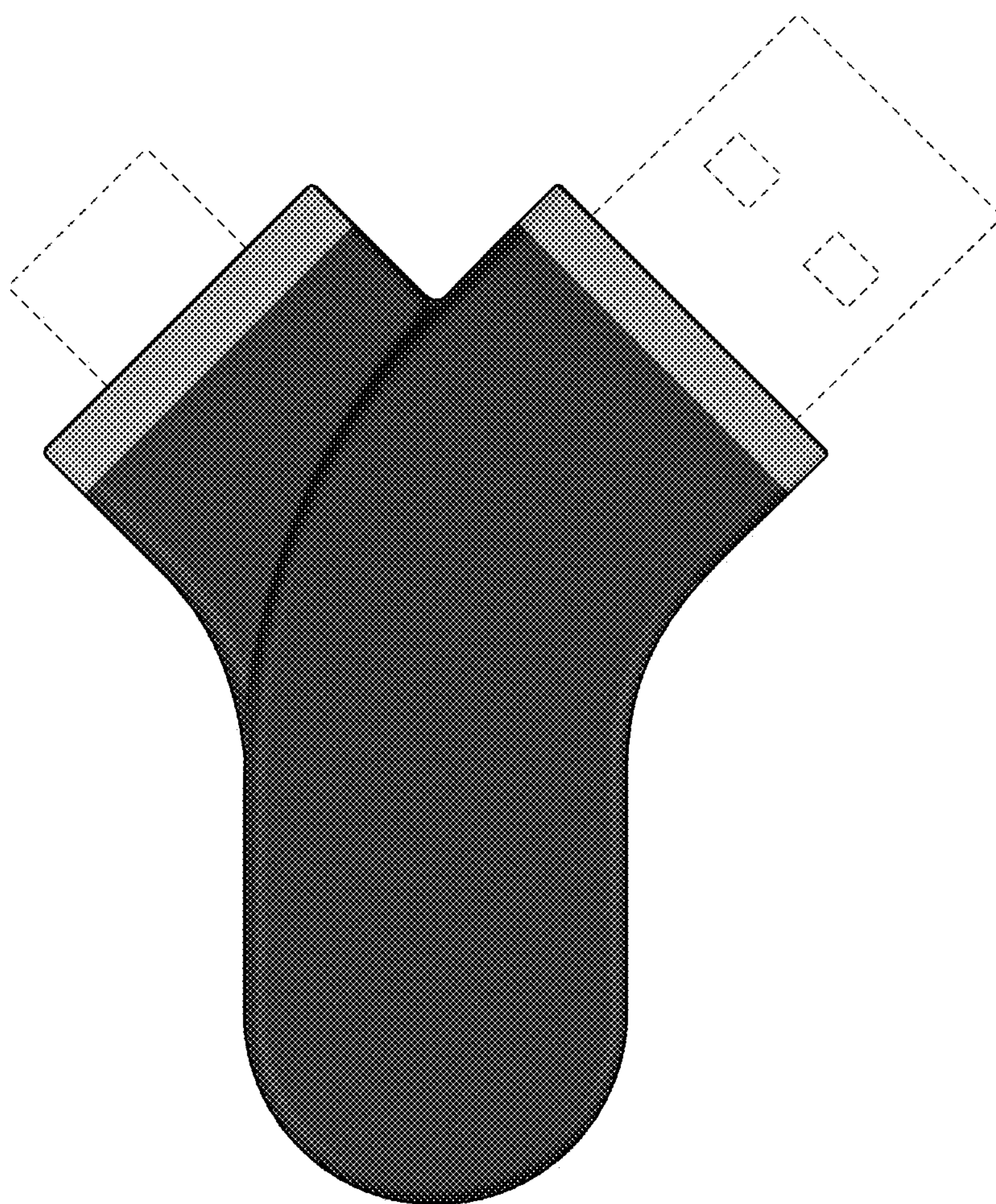


FIG. 17



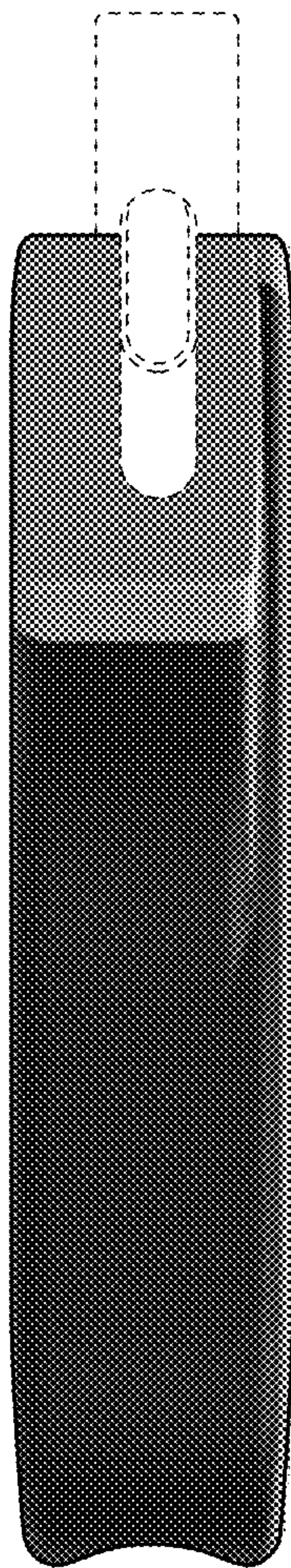


FIG. 18

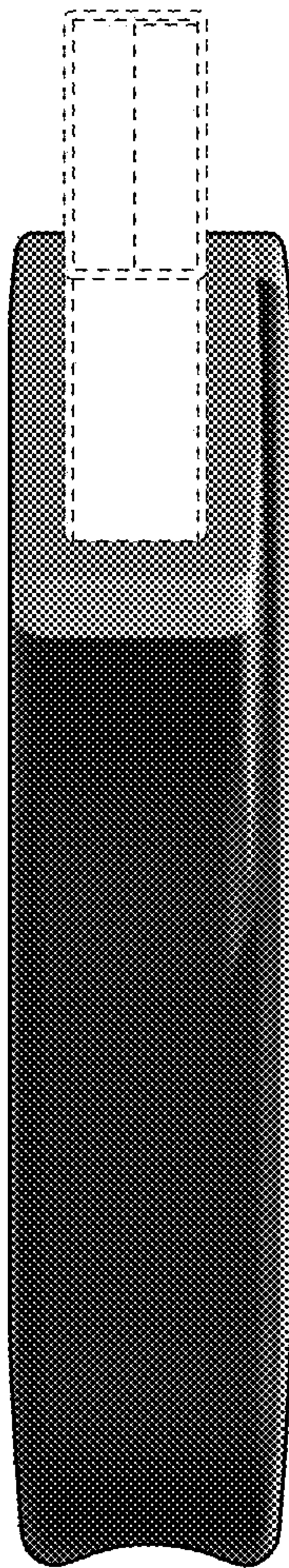


FIG. 19

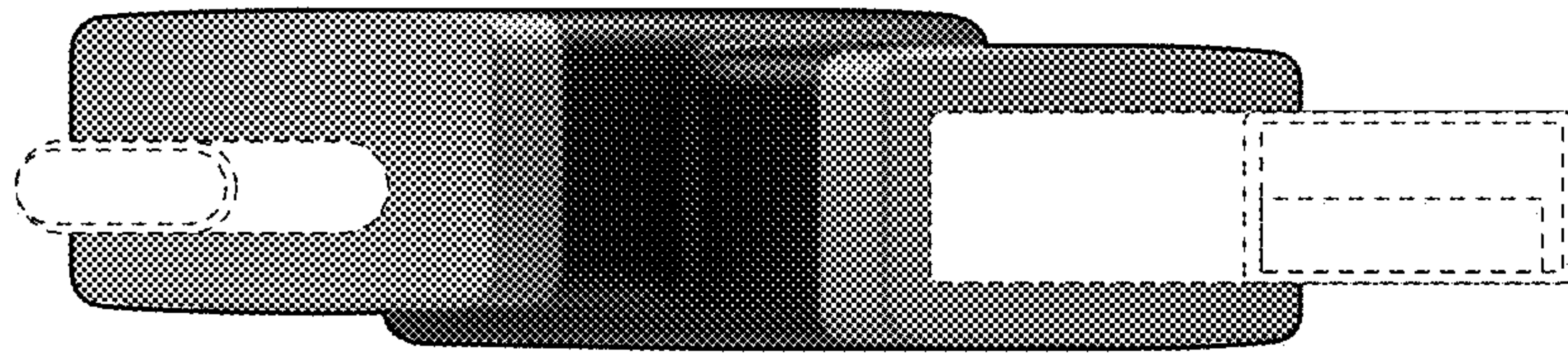


FIG. 20



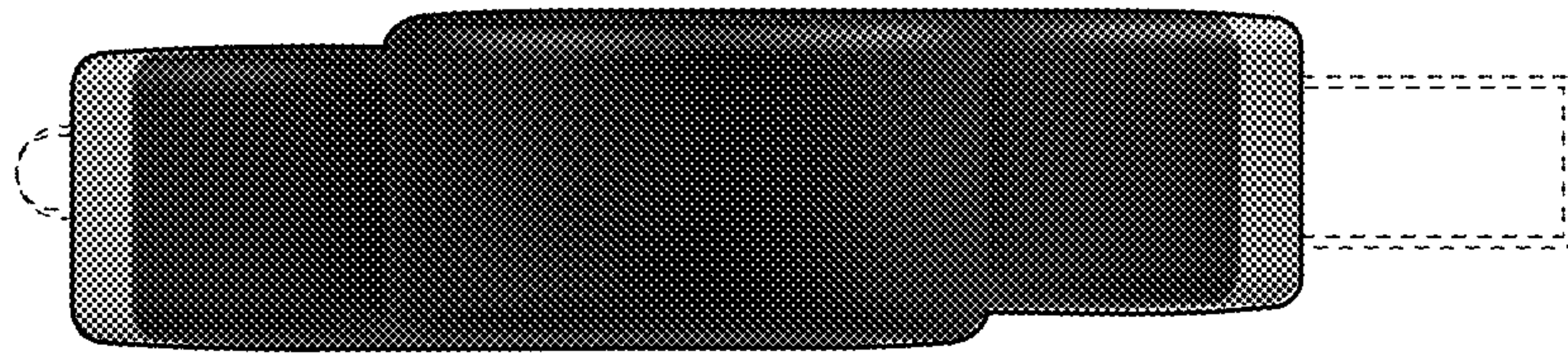


FIG. 21

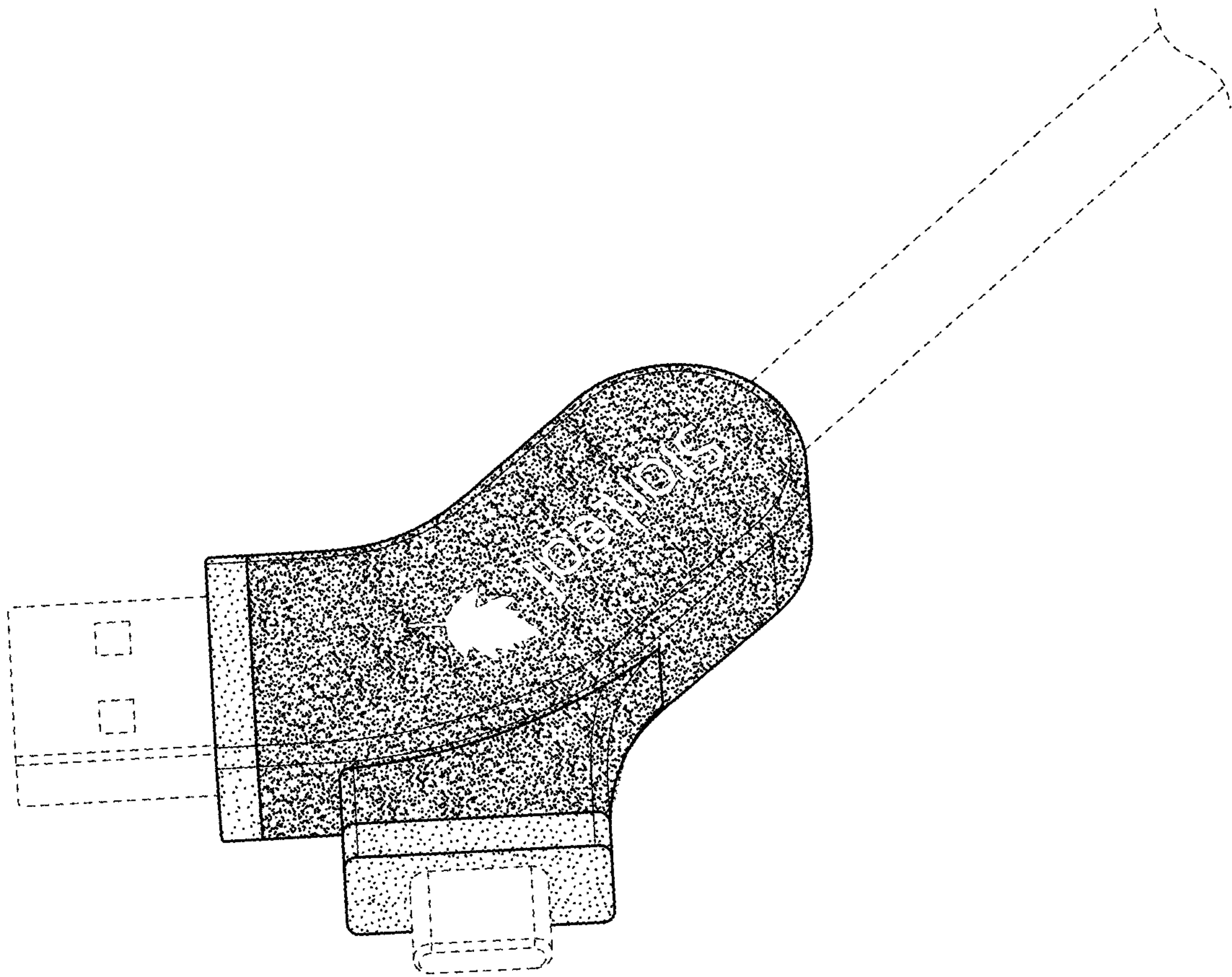


FIG. 22

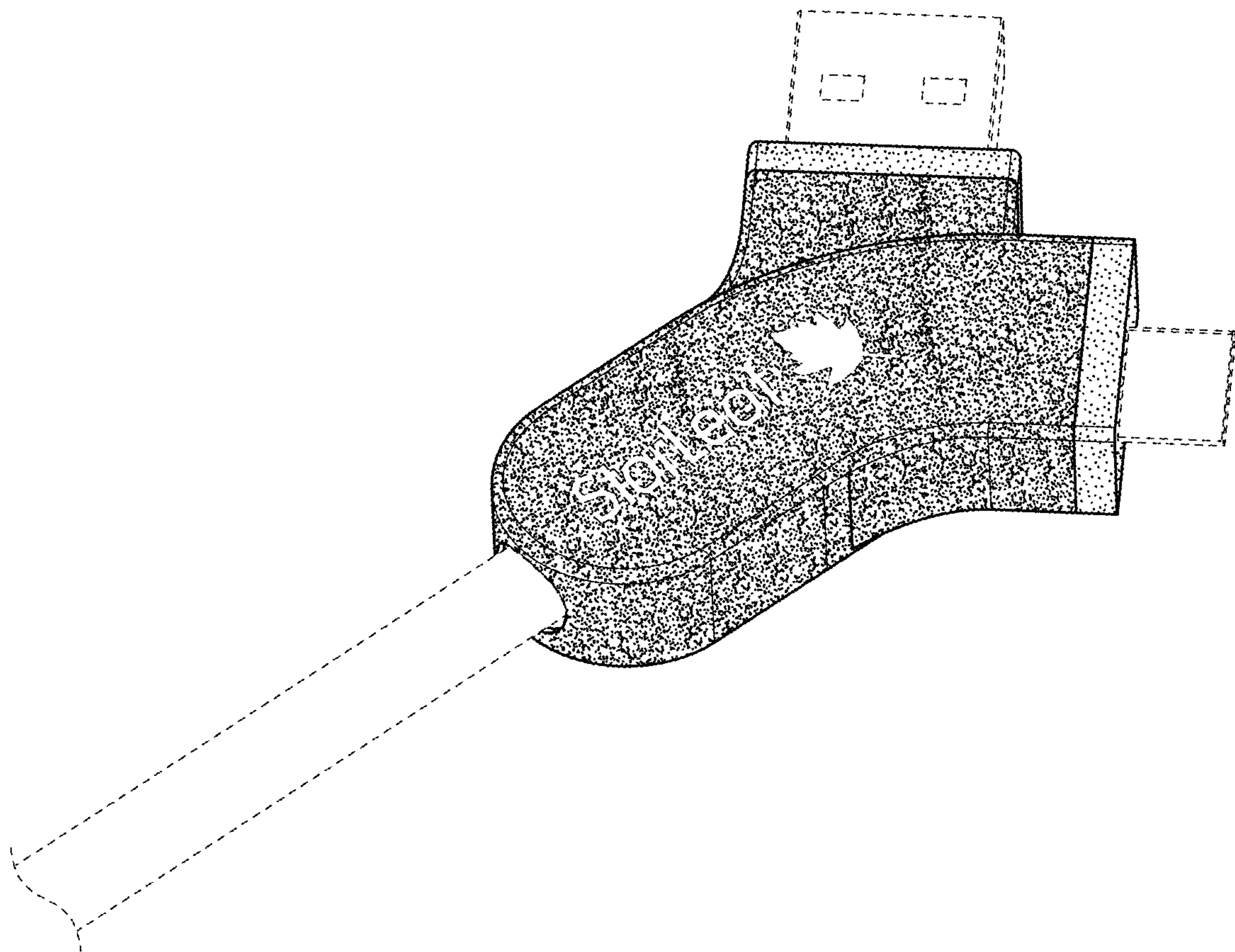


FIG. 23



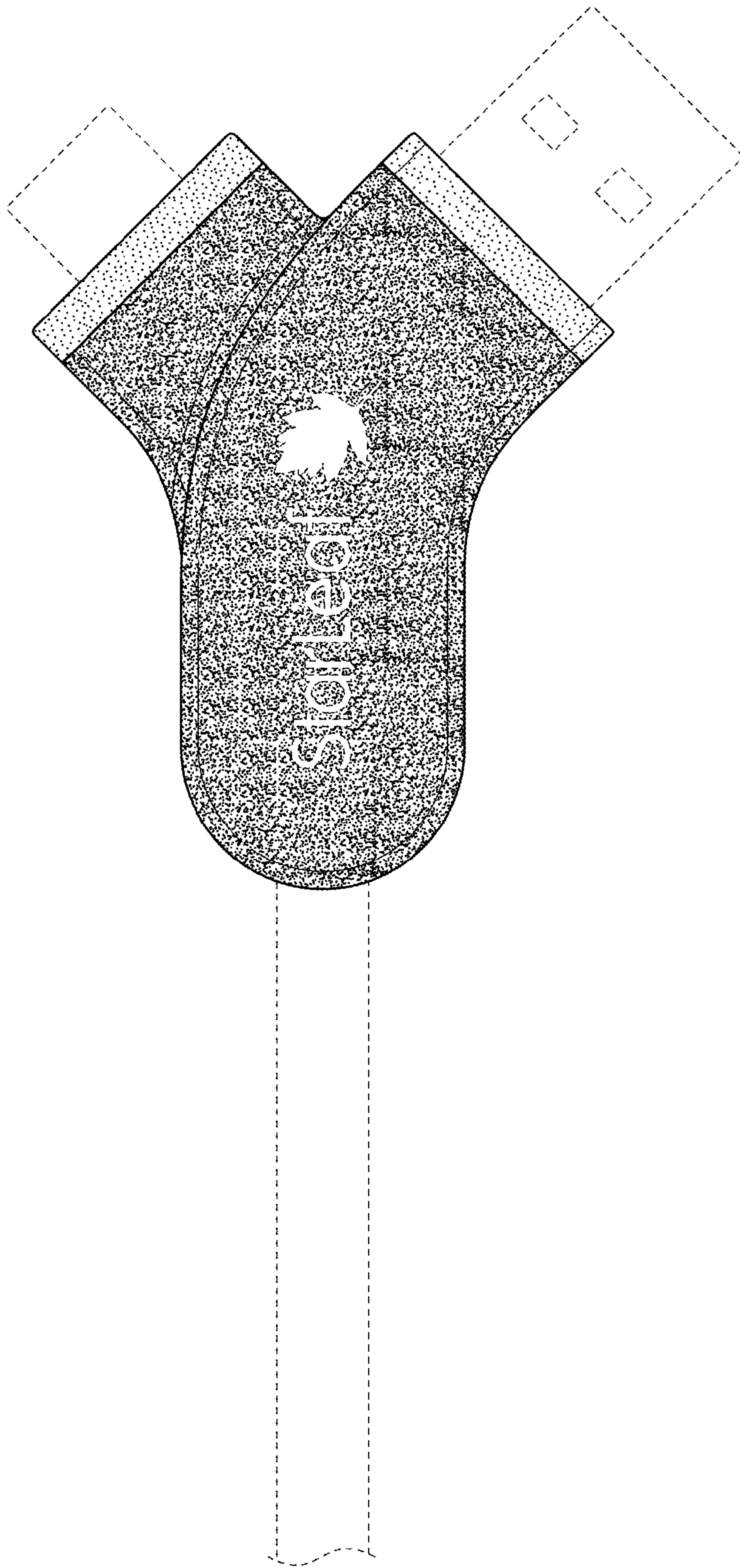


FIG. 24

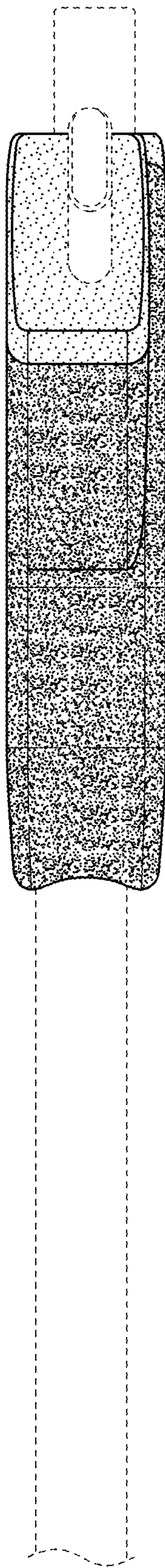


FIG. 25

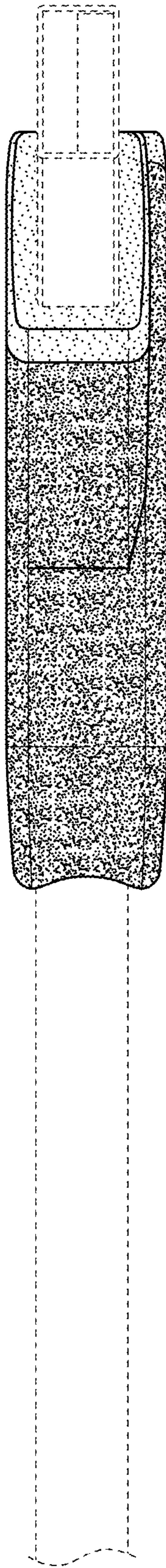


FIG. 26

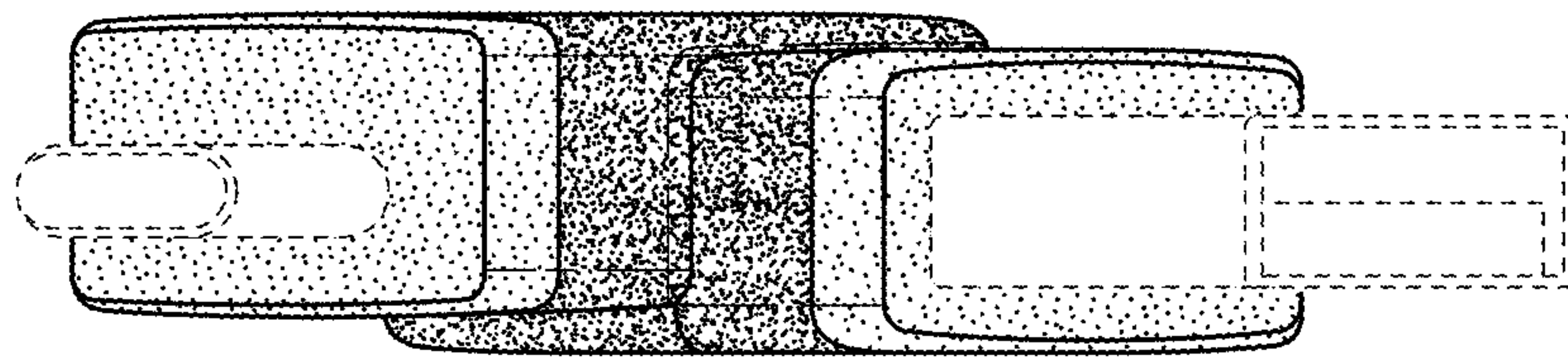


FIG. 27



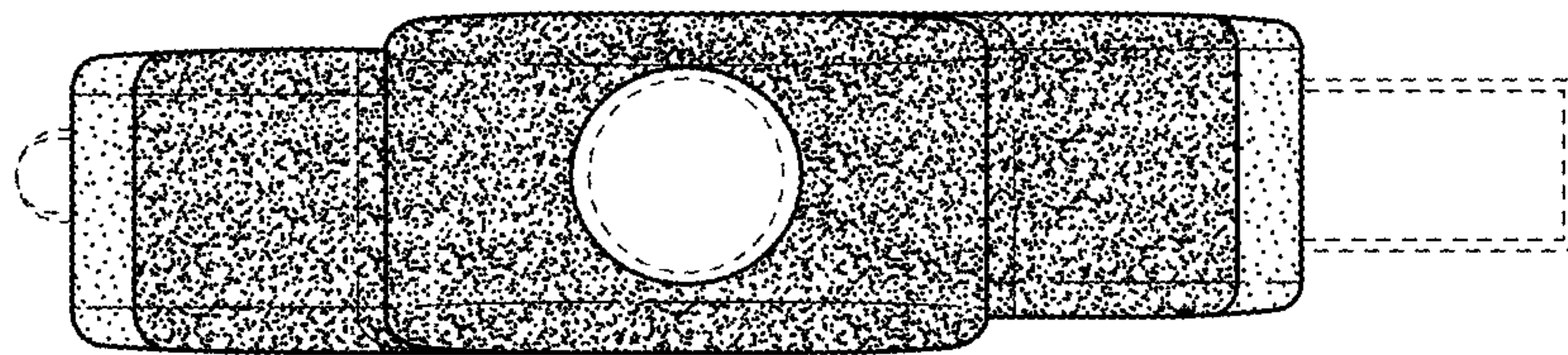


FIG. 28