



US00D934170S

(12) **United States Design Patent** (10) **Patent No.:** **US D934,170 S**
Shen (45) **Date of Patent:** **** Oct. 26, 2021**

(54) **MOVABLE CHARGING DEVICE**

(71) Applicant: **NINGBO LONGTU NETWORK TECHNOLOGY CO., LTD**, Cixi (CN)

(72) Inventor: **Dijiao Shen**, Cixi (CN)

(**) Term: **15 Years**

(21) Appl. No.: **29/711,992**

(22) Filed: **Nov. 5, 2019**

(51) **LOC (13) Cl.** **13-02**

(52) **U.S. Cl.**
USPC **D13/109**

(58) **Field of Classification Search**

USPC D13/199, 109, 133, 137.1, 137.2, 138.1,
D13/139.1, 146, 184, 110, 118, 119;
D6/657, 663, 702, 703, 703.4, 703.5, 705;
D34/19, 20, 21

CPC H02J 7/1423; H02J 7/0042; H02J 7/0044;
H02J 7/0045; H02J 7/0013; H02J 50/00;
H02J 50/10; H02J 50/12; H01M 2/1055

See application file for complete search history.

(56) **References Cited**

U.S. PATENT DOCUMENTS

D341,961 S	*	12/1993	Howden	D13/184
D349,383 S	*	8/1994	McCaffrey	D34/17
D407,578 S	*	4/1999	Crinion	D6/657
D449,817 S	*	10/2001	Takeuchi	D13/110
D454,838 S	*	3/2002	Takeuchi	H02J 7/00
					D13/110
D455,121 S	*	4/2002	Takeuchi	H02J 5/00
					D13/110
D455,399 S	*	4/2002	Imamura	D13/110
D535,452 S	*	1/2007	Lim	D34/19

(Continued)

FOREIGN PATENT DOCUMENTS

CN	305114764	*	4/2019
CN	305347170	*	9/2019
KR	301021093.0000	*	8/2019

OTHER PUBLICATIONS

“Smart Charging Cart New Model 2020”, first published Dec. 1, 2020. LongtuRack.com [https://www.longturack.com/news/smart-charging-cart-new-model-40278223.html] (Year: 2020).*

(Continued)

Primary Examiner — Rosemary K Tarcza

Assistant Examiner — Seth David Kumpf

(57) **CLAIM**

The ornamental design for a movable charging device, as shown and described.

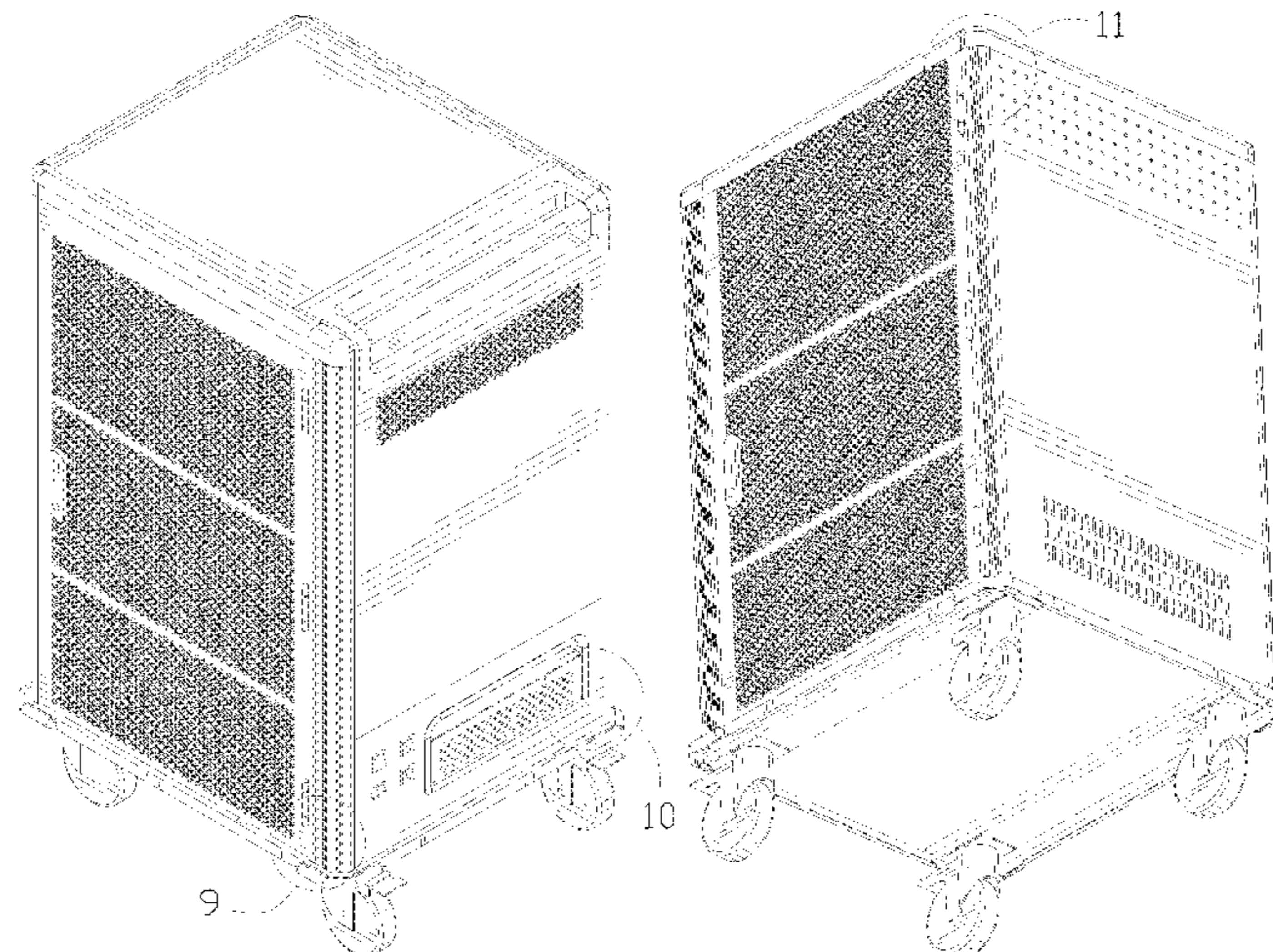
DESCRIPTION

FIG. 1 is a first perspective view of a movable charging device showing my new design;
FIG. 2 is a second perspective view thereof;
FIG. 3 is a front view thereof;
FIG. 4 is a back view thereof;
FIG. 5 is a left side view thereof;
FIG. 6 is a right side view thereof;
FIG. 7 is a top view thereof;
FIG. 8 is a bottom view thereof;
FIG. 9 is an enlarged view of the selected portion in FIG. 1;
FIG. 10 is an enlarged view of the selected portion in FIG. 1; and,
FIG. 11 is an enlarged view of the selected portion in FIG. 2.

The broken lines shown in the drawings depict portions of the movable charging device in which the design is embodied that form no part of the claimed design.

The dot-dash broken lines shown in the drawings depict portions of the movable charging device that are magnified into enlarged views.

1 Claim, 11 Drawing Sheets



(56)

References Cited

U.S. PATENT DOCUMENTS

D598,847 S * 8/2009 Ota D13/110
D640,468 S * 6/2011 Libuda D3/272
D667,652 S * 9/2012 Wang D6/663
D730,825 S * 6/2015 Wang D13/109
D778,832 S * 2/2017 Wang D13/109
D850,749 S * 6/2019 Waldner D34/19
2011/0267782 A1* 11/2011 Petrick G06F 1/26
361/724
2013/0175993 A1* 7/2013 Chen H02J 7/0044
320/114
2013/0200584 A1* 8/2013 Guasta H02J 7/00
280/79.2
2017/0027079 A1* 1/2017 Dombrowski H02J 5/00

OTHER PUBLICATIONS

“Mobile Charging Cart for Tablets Chromebooks iPad Laptops 30-Device”, first accessed Mar. 3, 2021. ToolOTS.com [https://www.toolots.com/charging-cart.html?cid=10131249572&gclid=EAlalQobChMI0MWz7OCU7wIVuQOzABONEQtLEAkYEiABE-gKVyPD_BwE] (Year: 2021).*

* cited by examiner

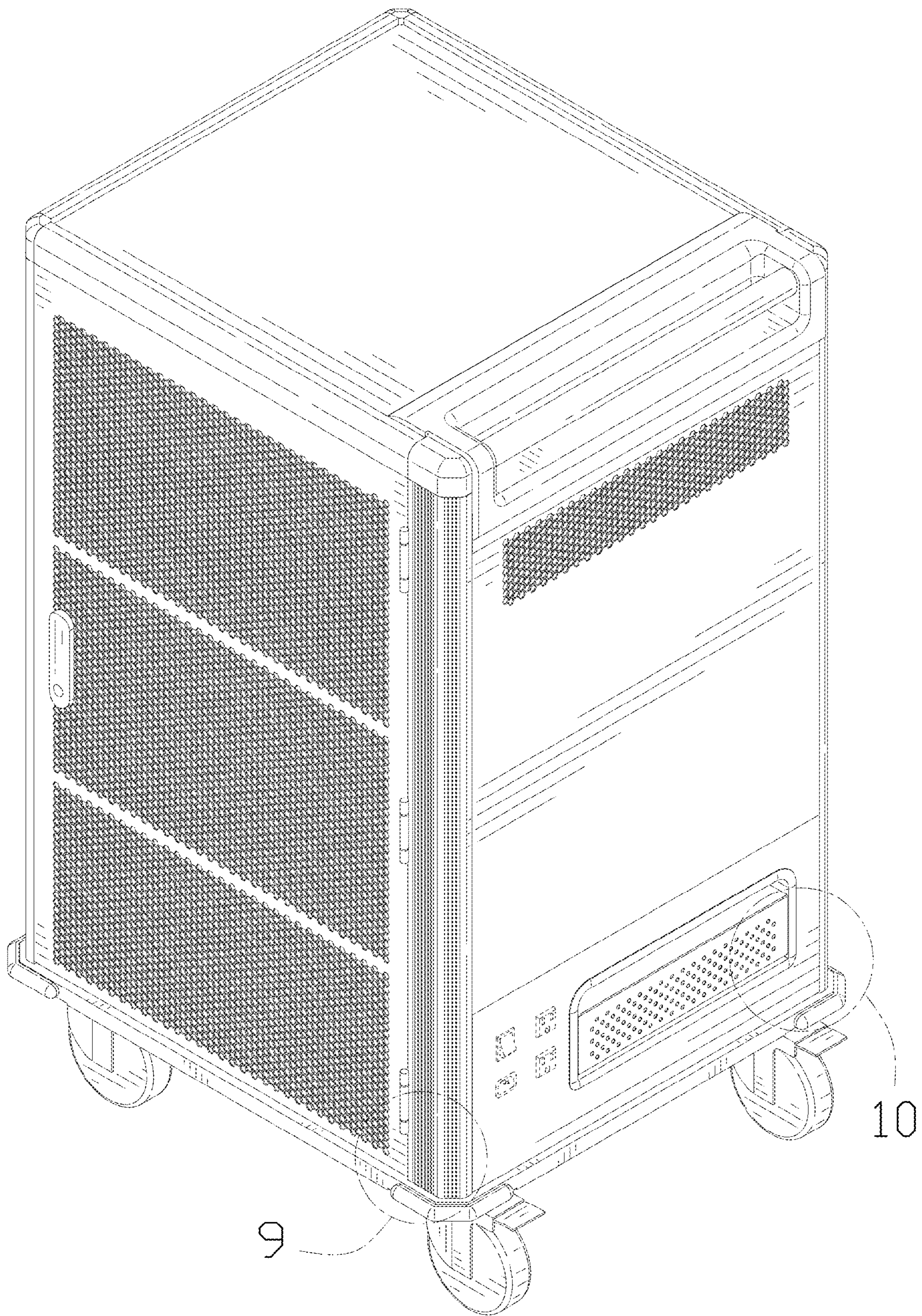


FIG. 1

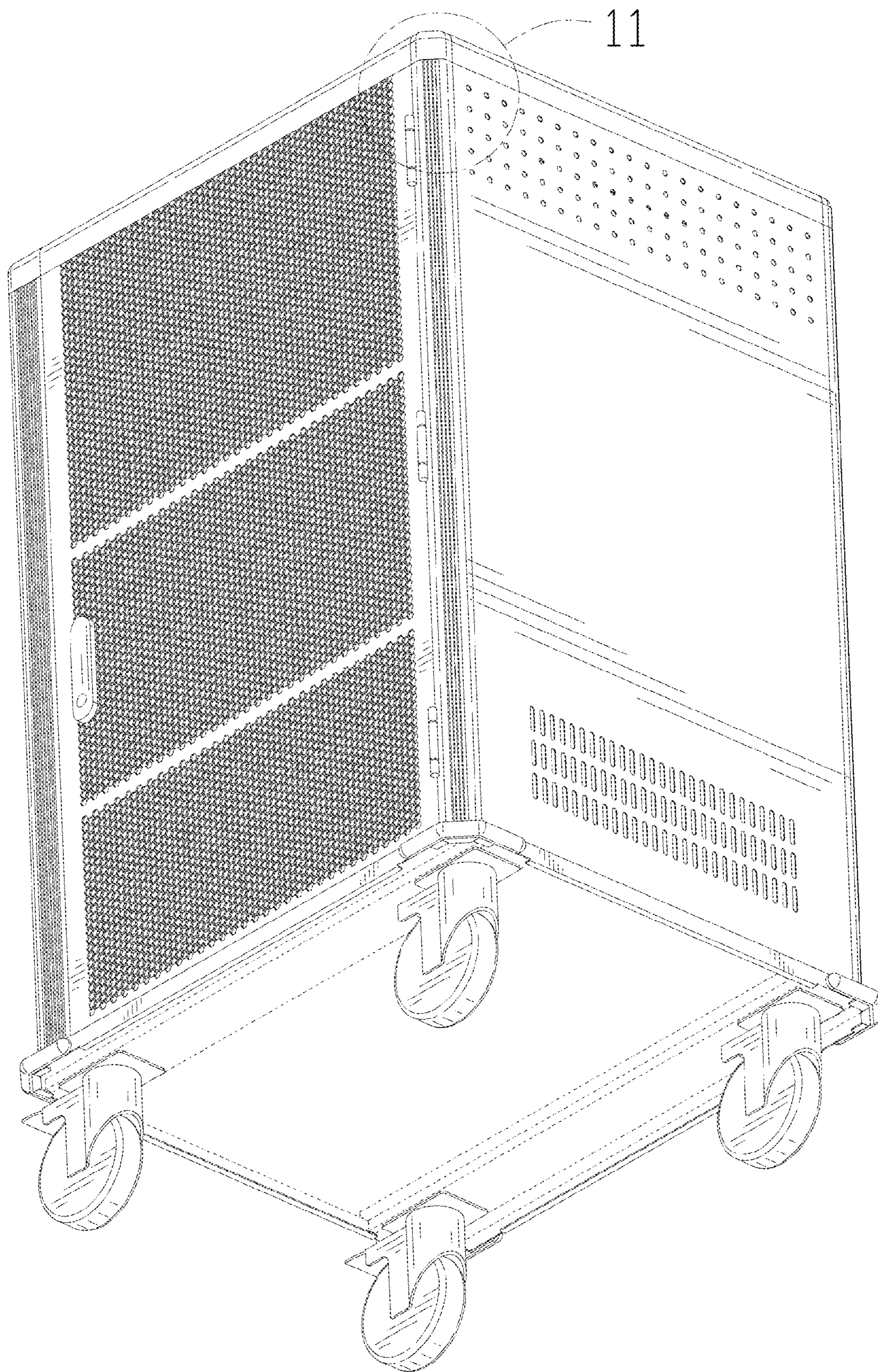


FIG. 2

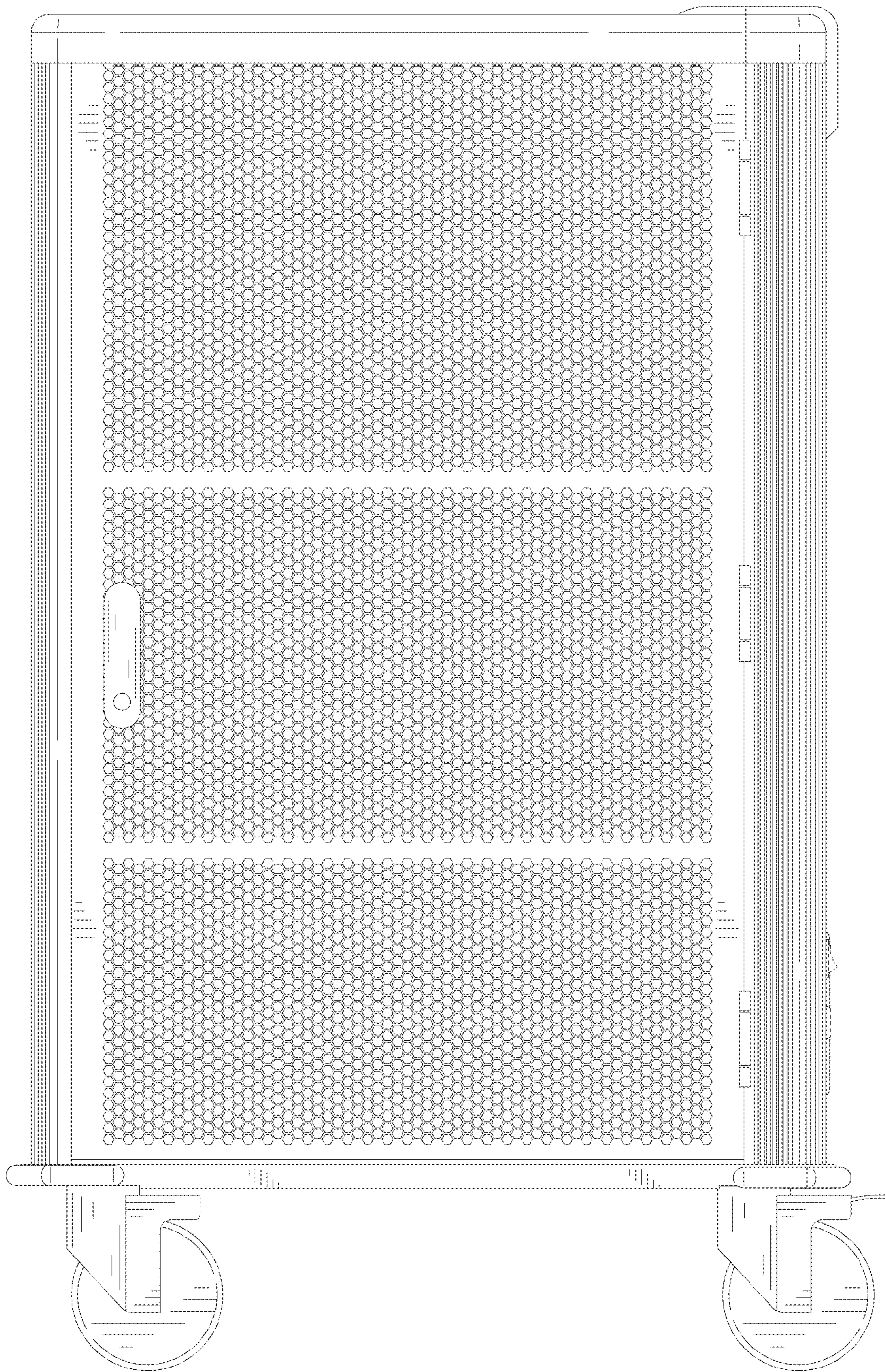


FIG. 3

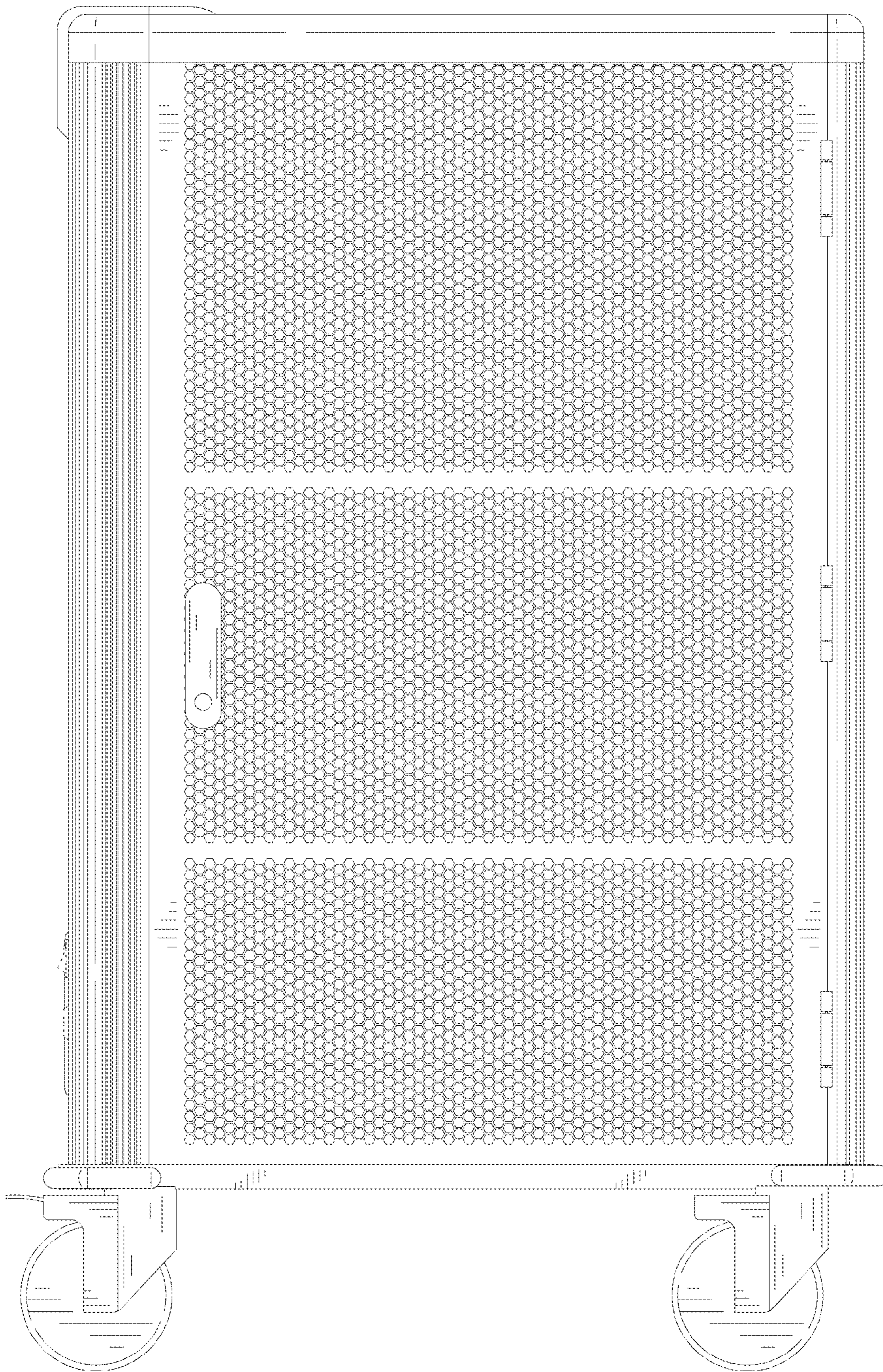


FIG. 4

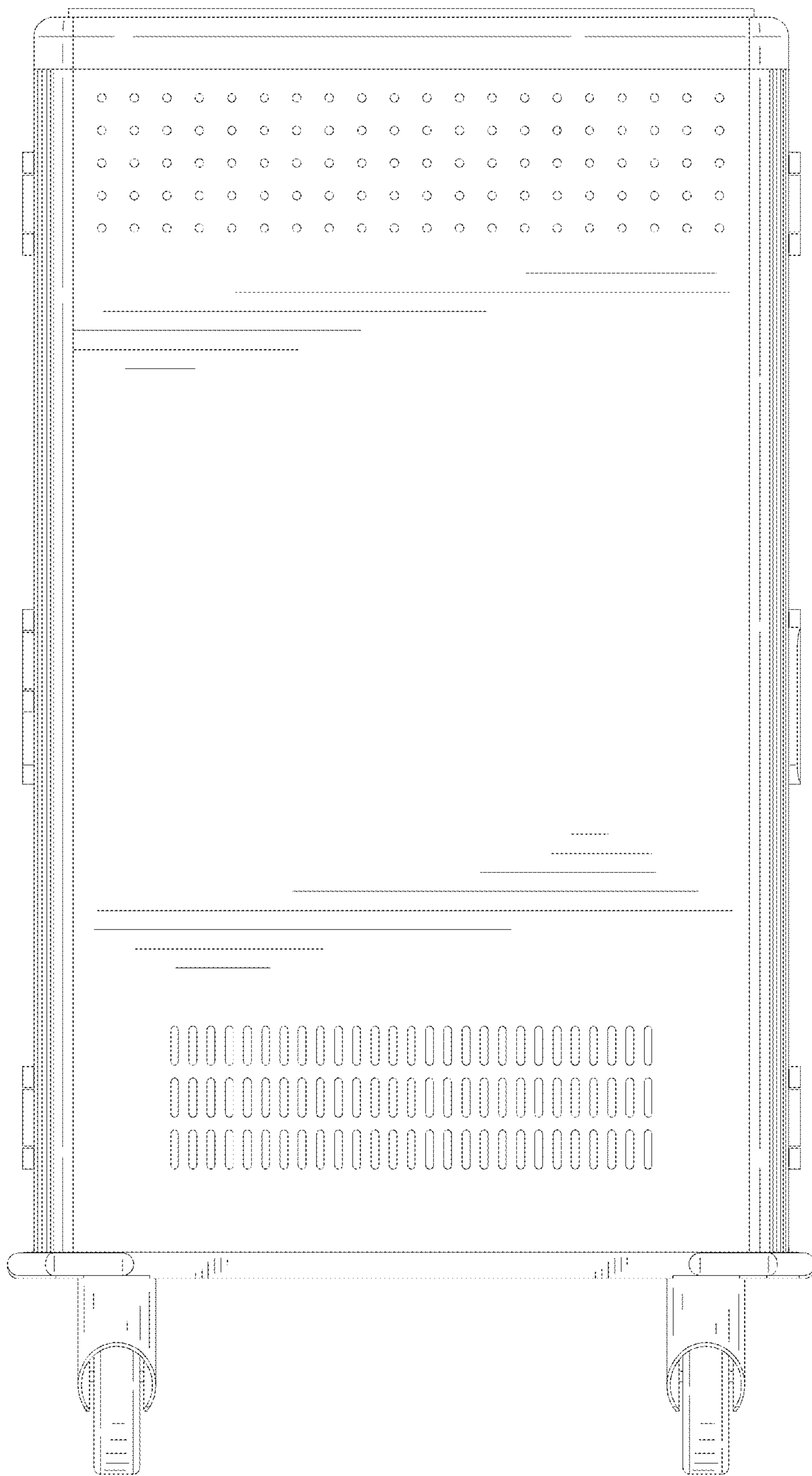


FIG. 5

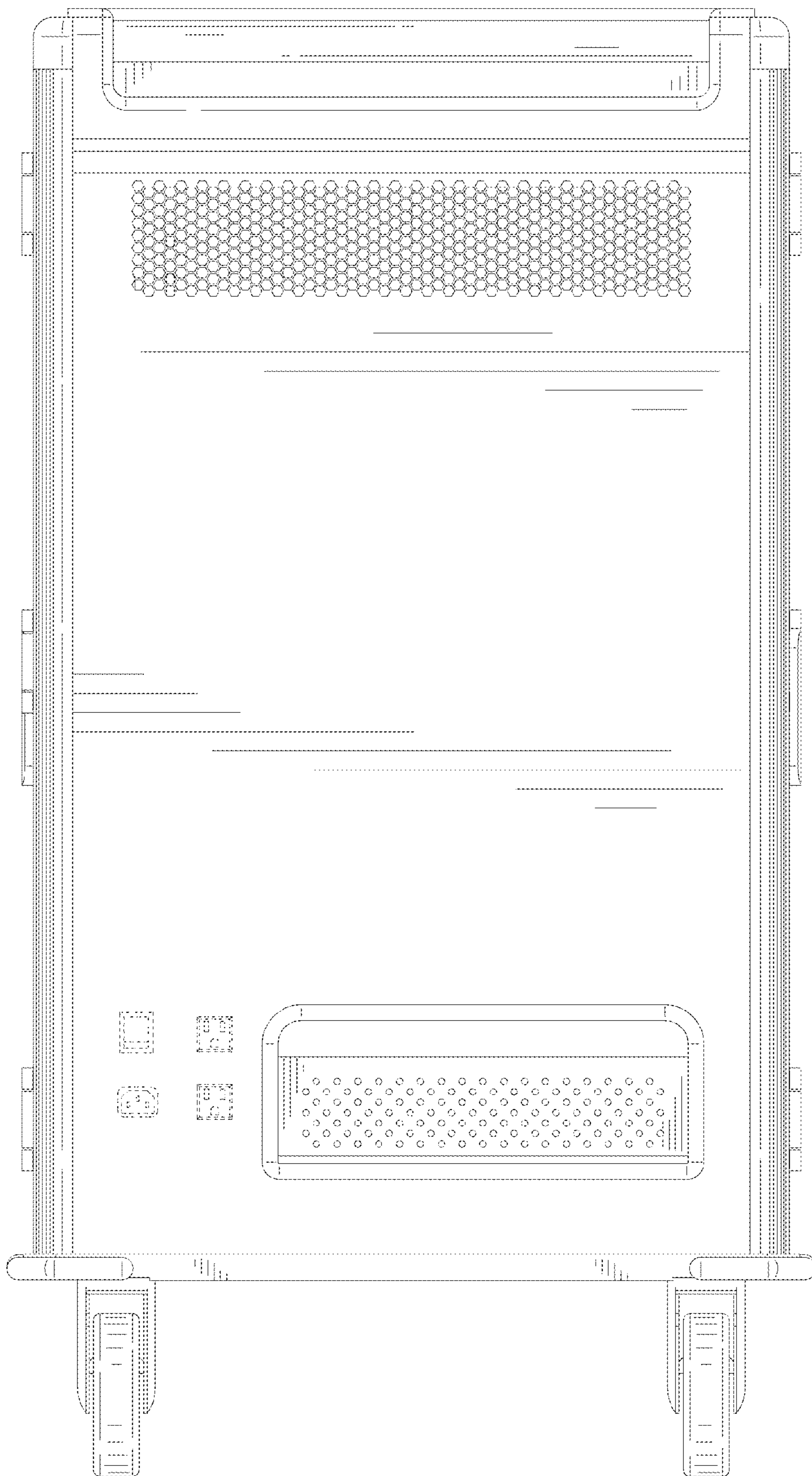


FIG. 6

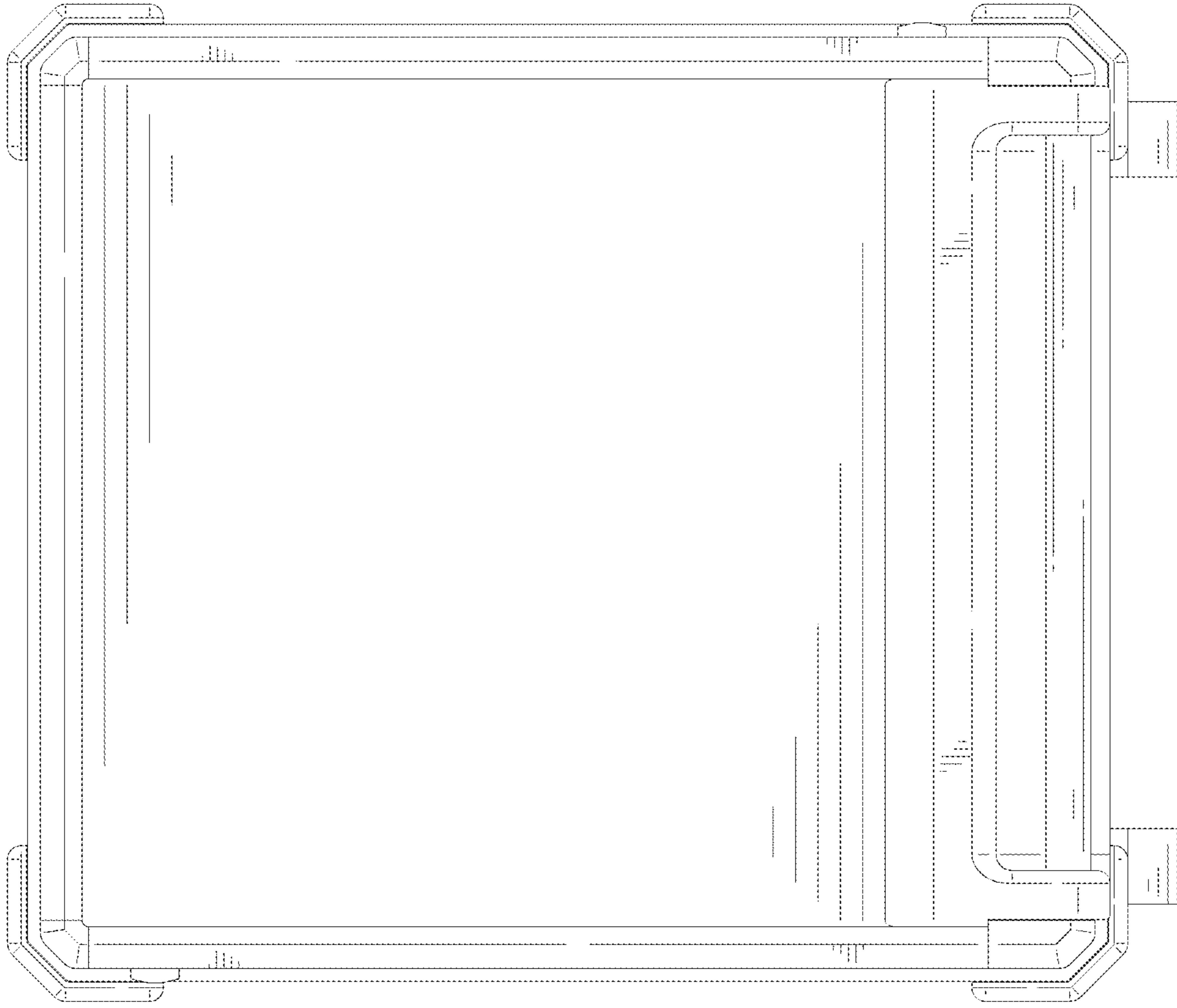


FIG. 7

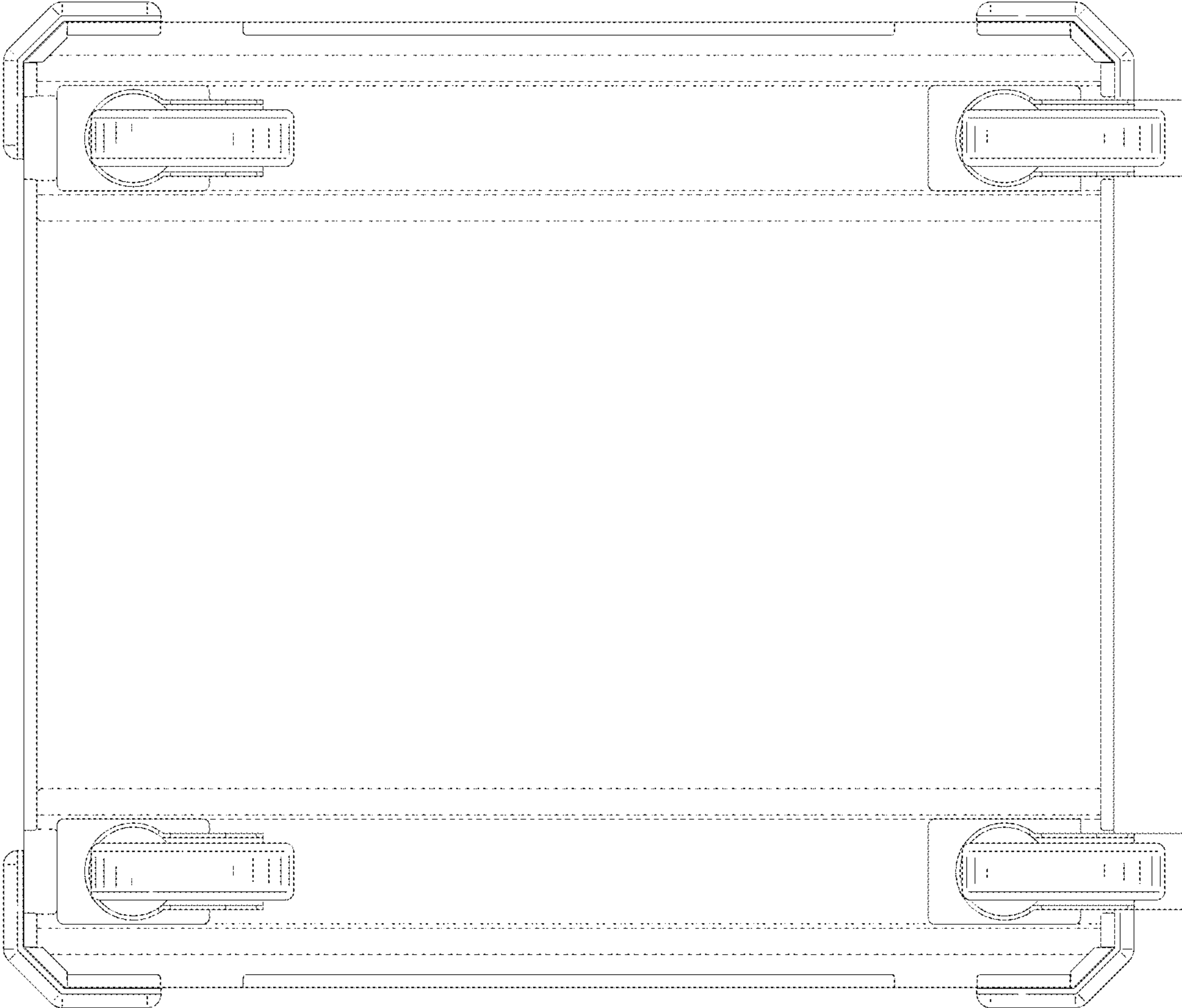


FIG. 8

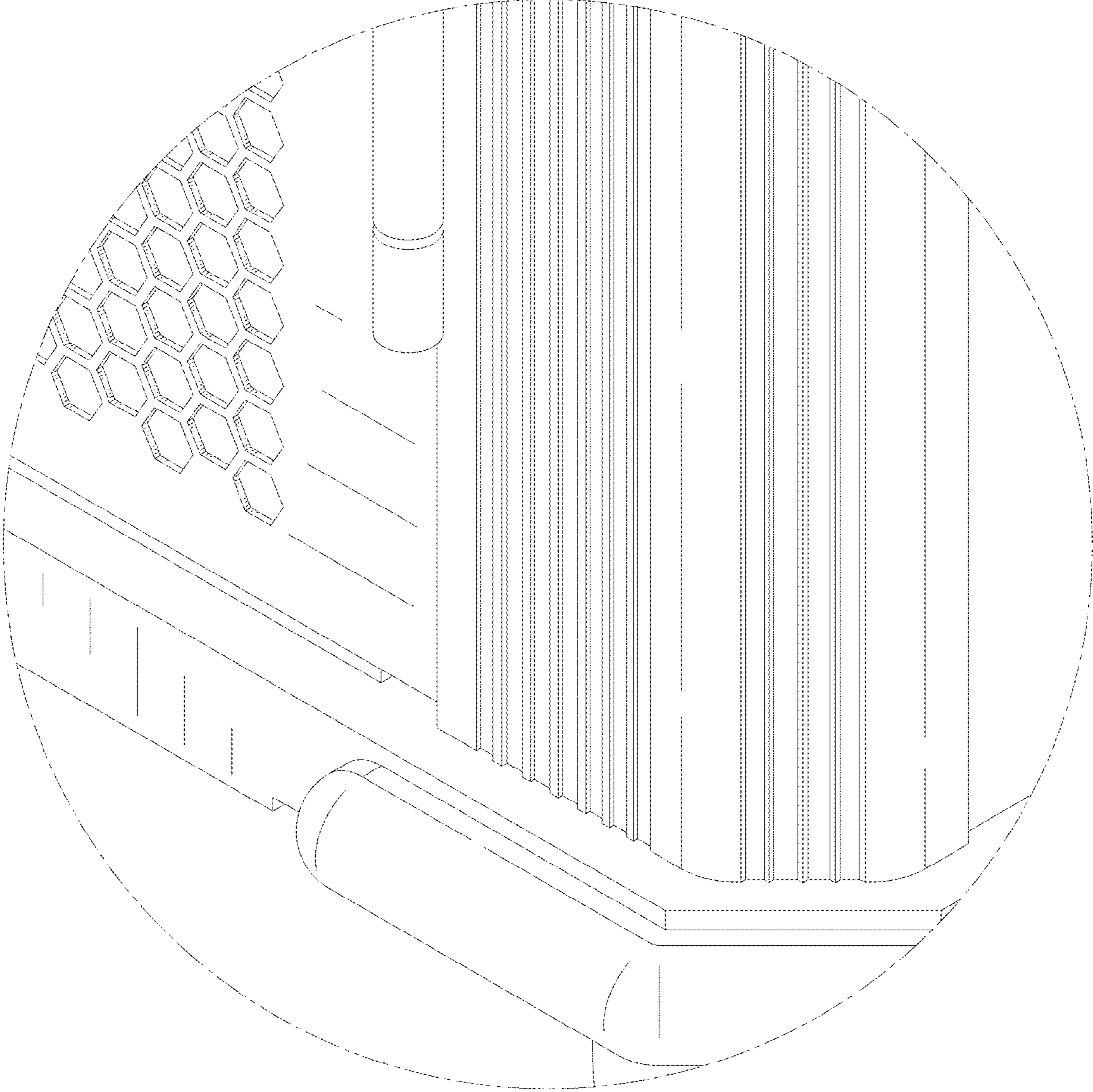


FIG. 9

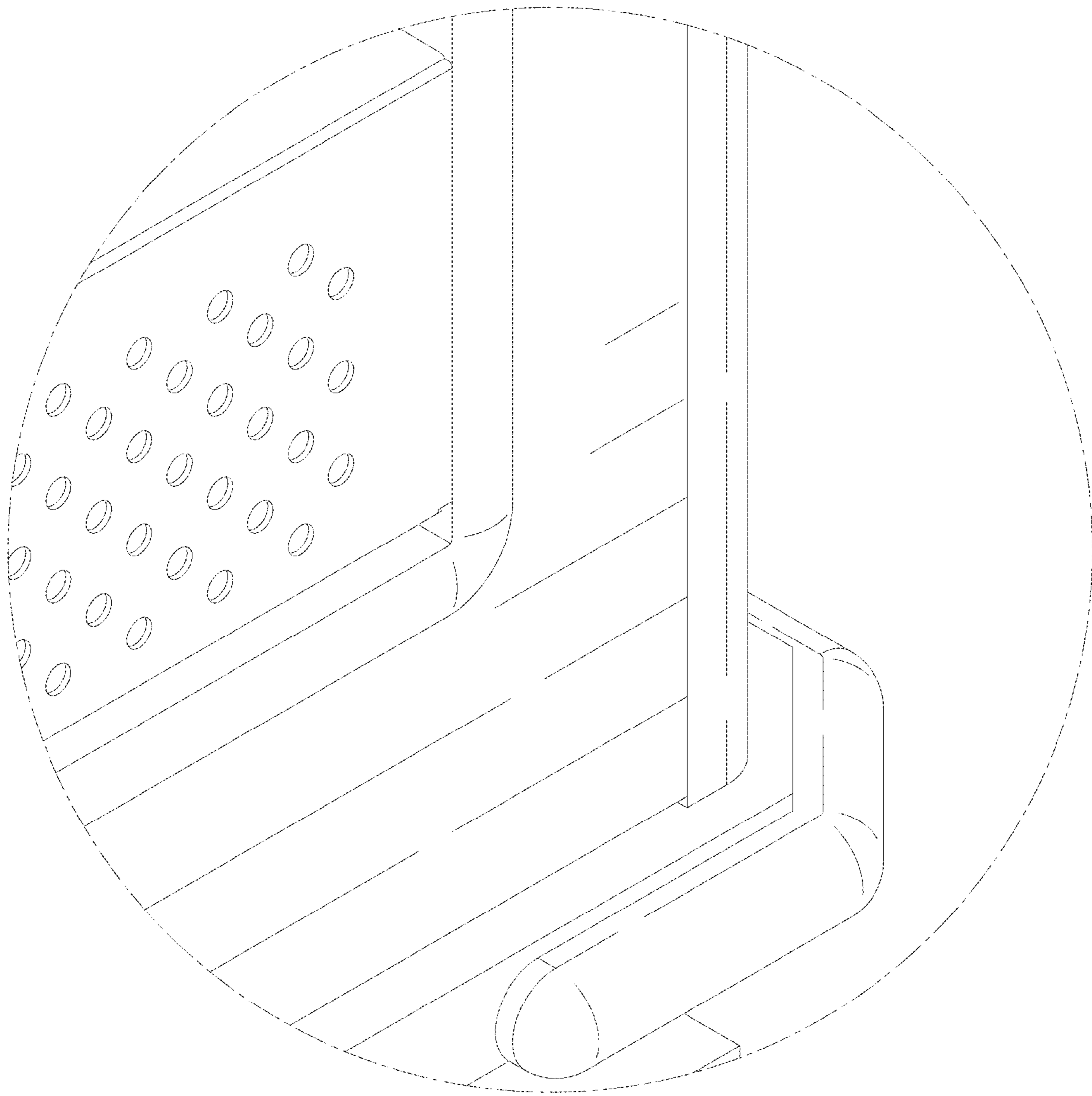


FIG. 10

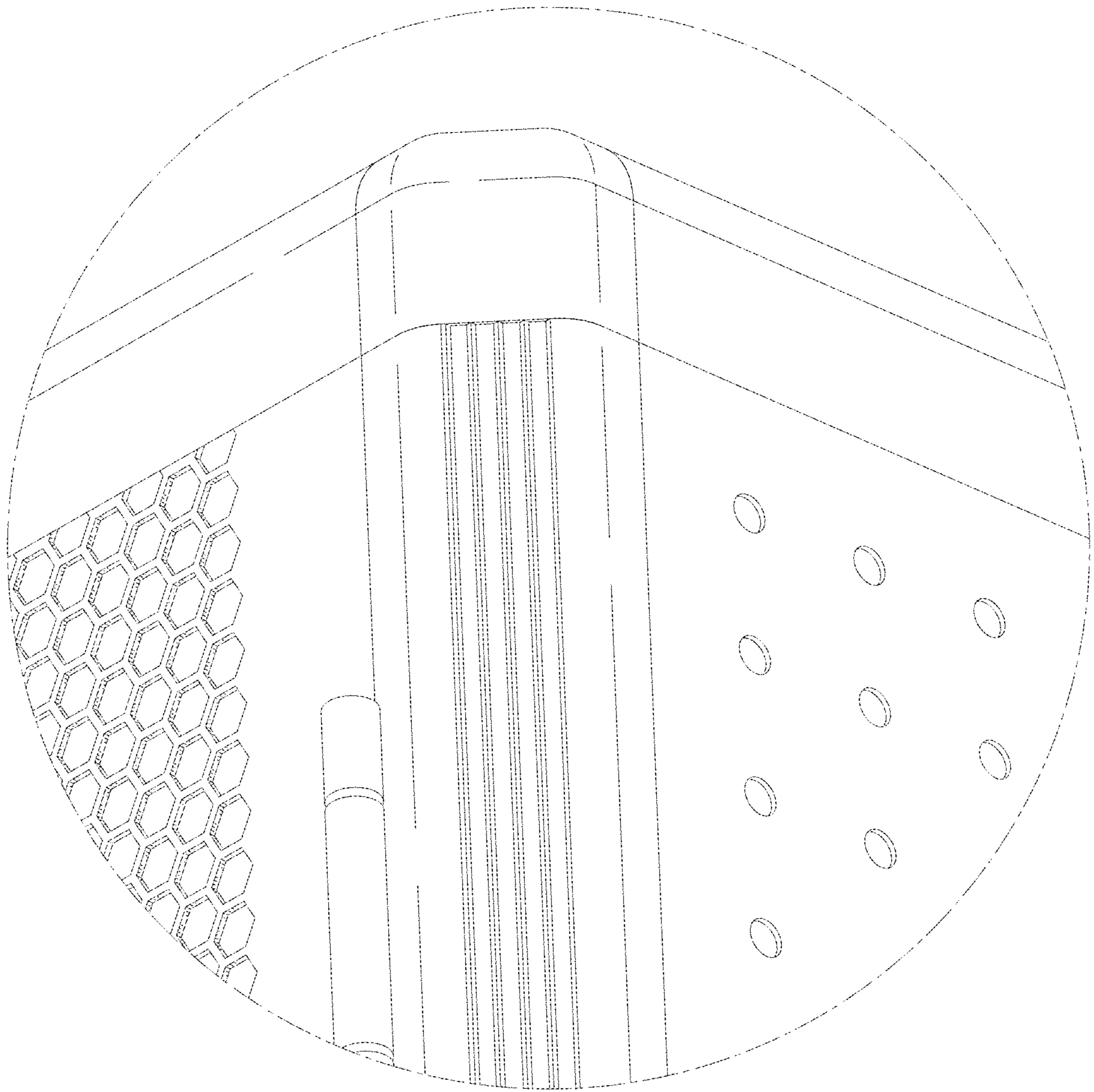


FIG. 11