



US00D934169S

(12) **United States Design Patent** (10) **Patent No.:** **US D934,169 S**
Huang et al. (45) **Date of Patent:** **** Oct. 26, 2021**

(54) **WIRELESS CHARGER**

(71) Applicants: **Dongsheng Huang**, Fujian (CN);
Jinghong Dai, Fujian (CN)

(72) Inventors: **Dongsheng Huang**, Fujian (CN);
Jinghong Dai, Fujian (CN)

(73) Assignee: **Fujian Youtong Industrial Co., Ltd.**,
Fuzhou (CN)

(**) Term: **15 Years**

(21) Appl. No.: **29/722,334**

(22) Filed: **Jan. 29, 2020**

(30) **Foreign Application Priority Data**

Jan. 6, 2020 (CN) 202030006611.3

(51) **LOC (13) Cl.** **13-02**

(52) **U.S. Cl.**
USPC **D13/108; D14/447**

(58) **Field of Classification Search**
USPC D13/103, 107, 108, 109, 110, 118, 119;
D14/209.1, 251, 253, 356, 434, 447
CPC H02J 7/342; H02J 50/00; H01R 2201/06
See application file for complete search history.

(56) **References Cited**

U.S. PATENT DOCUMENTS

D644,230 S * 8/2011 Lin D14/447
8,056,871 B2 * 11/2011 Matias A47B 23/043
248/176.1
D674,336 S * 1/2013 Suzuka D13/108
D680,068 S * 4/2013 Lee D13/108
D691,612 S * 10/2013 Chen D14/447
D693,296 S * 11/2013 Lin D13/108
D703,214 S * 4/2014 Lye D14/447
D787,441 S * 5/2017 Lee D13/108
D858,530 S * 9/2019 Liao D14/434

D907,575 S * 1/2021 Xu D13/108
D911,941 S * 3/2021 Lee D13/108
2010/0315041 A1 * 12/2010 Tan H02J 7/0044
320/115

(Continued)

OTHER PUBLICATIONS

“Compact Wireless Charging Pad and Phone Stand”. Found online Apr. 7, 2021 at 4imprint.com. Reference dated Apr. 7, 2021. Retrieved from [https://www.4imprint.com/product/159375-24HR/Compact-Wireless-Charging-Pad-and-Phone-Stand-24-hr.\(Year:2021\).*](https://www.4imprint.com/product/159375-24HR/Compact-Wireless-Charging-Pad-and-Phone-Stand-24-hr.(Year:2021).*)

(Continued)

Primary Examiner — Kendra Leslie Hamilton
Assistant Examiner — Amanda Christensen

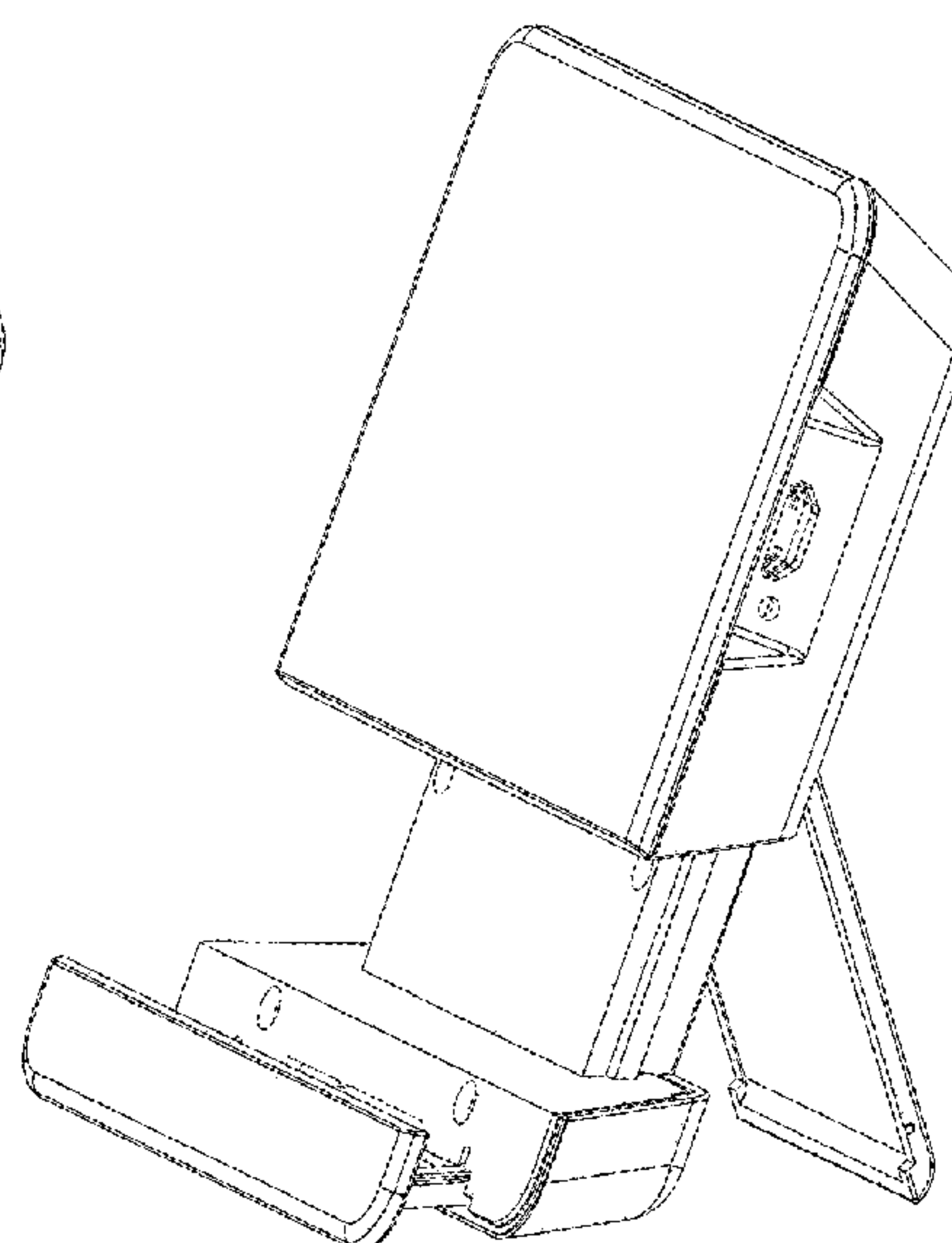
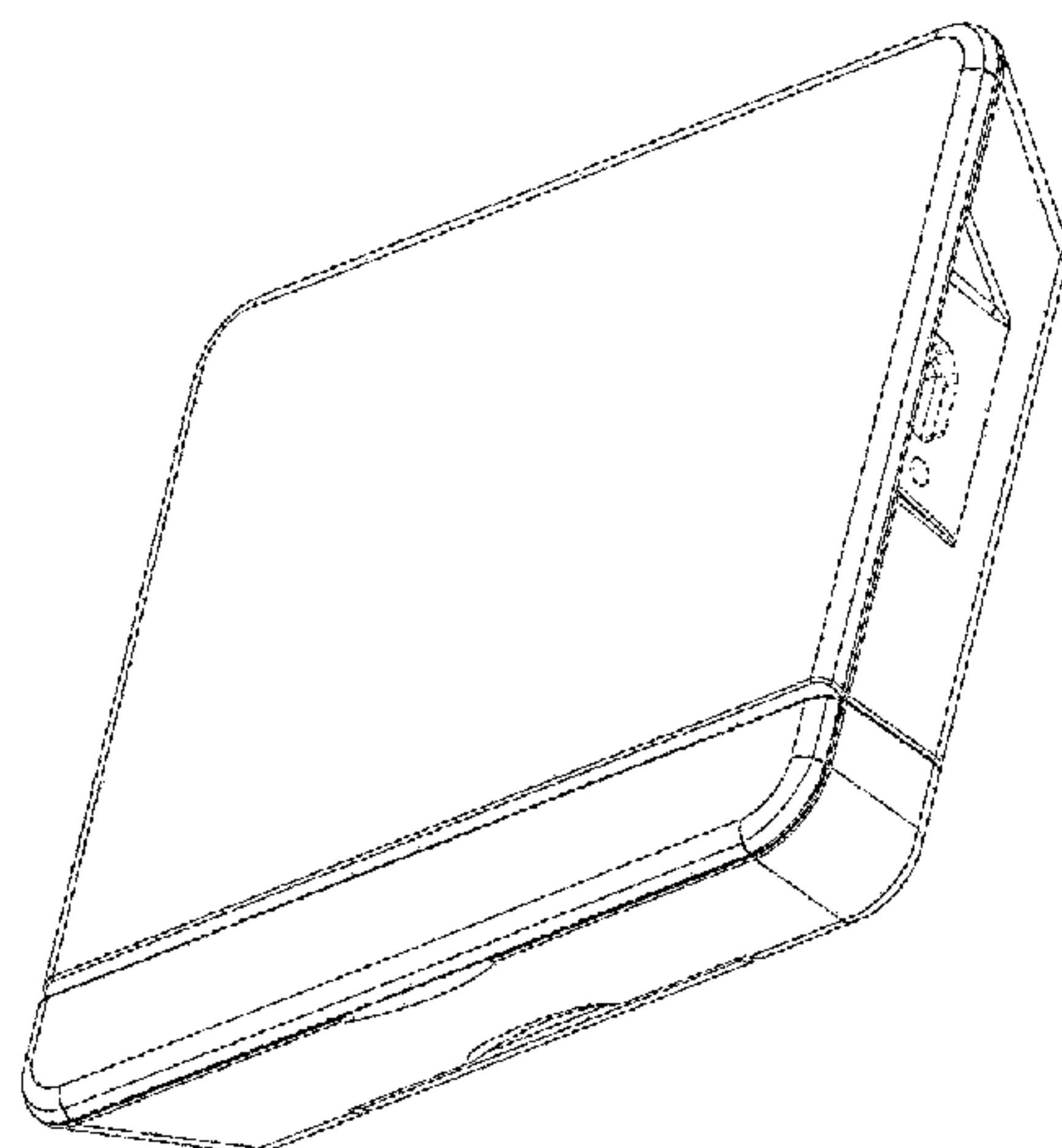
(57) **CLAIM**

The ornamental design for a wireless charger, as shown and described.

DESCRIPTION

FIG. 1 is a bottom, front, right side perspective view of a wireless charger, showing our new design in a first configuration;
FIG. 2 is a top, front, right side perspective view thereof;
FIG. 3 is a front, right side perspective view of the wireless charger of FIG. 1, shown in a second configuration;
FIG. 4 is a front, right side perspective view of the wireless charger of FIG. 1, shown in a third configuration;
FIG. 5 is a front elevation view of the wireless charger of FIG. 1, shown in the first configuration;
FIG. 6 is a rear elevation view thereof;
FIG. 7 is a left side elevation view thereof;
FIG. 8 is a right side elevation view thereof;
FIG. 9 is a top plan view thereof; and,
FIG. 10 is a bottom plan view thereof.
The broken lines in the drawings depict portions of the wireless charger that form no part of the claimed design.

1 Claim, 8 Drawing Sheets



(56)

References Cited

U.S. PATENT DOCUMENTS

2017/0222680 A1* 8/2017 Yan H04B 5/0037

OTHER PUBLICATIONS

“Lamicall Adjustable Tablet Stand Holder”. Found online Apr. 6, 2021 at amazon.com. Reference dated Sep. 19, 2019. Retrieved from https://www.amazon.com/Lamicall-Adjustable-Tablet-Stand-Holder/dp/B07Y31XQNY/ref=sr_1_22. (Year: 2019).*

“Nimble Wireless Stand”. Found online Apr. 7, 2021 at gonimble.com. Reference dated Nov. 23, 2018. Retrieved from <https://www.gonimble.com/products/wireless-stand>. (Year: 2018).*

* cited by examiner

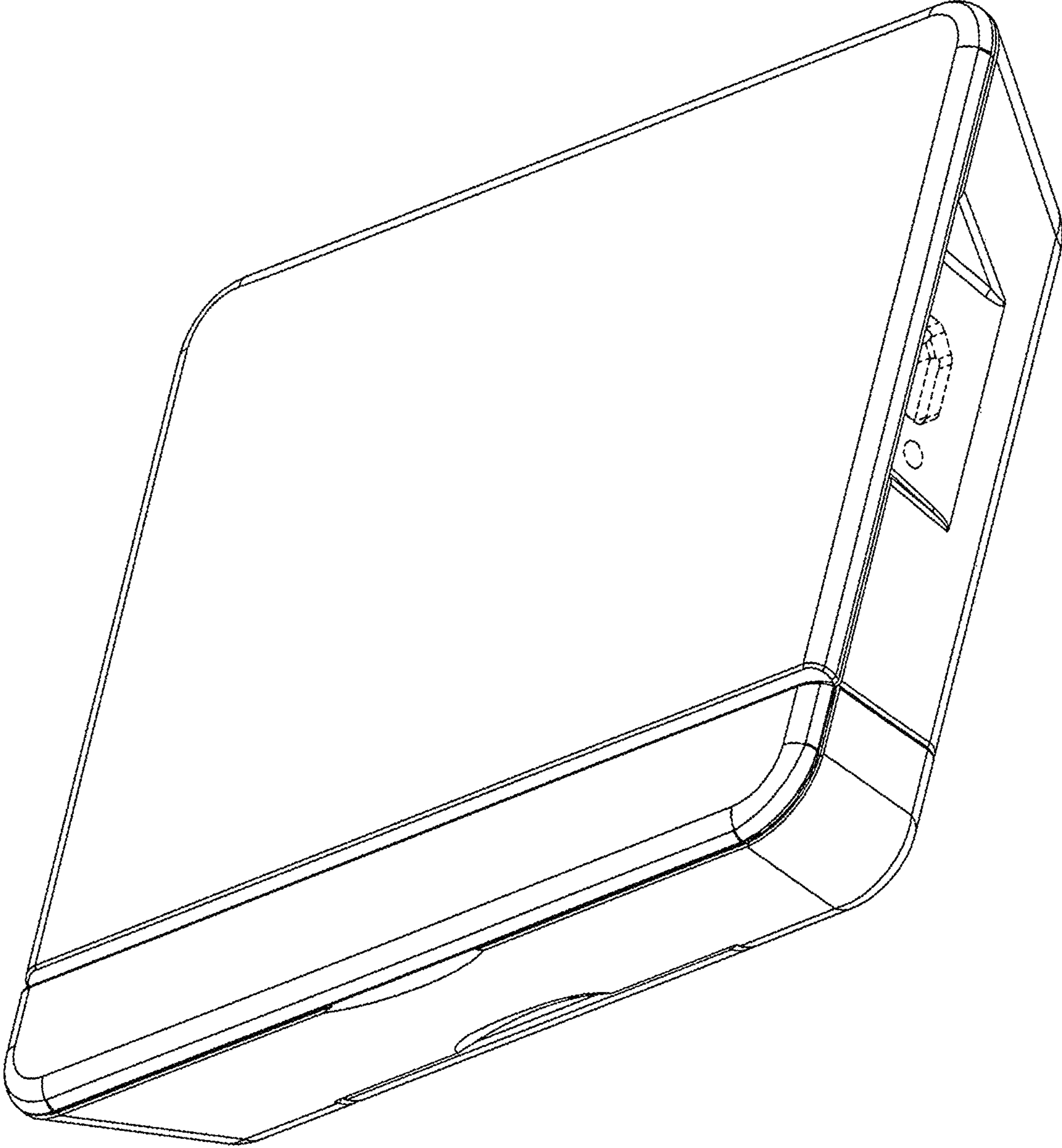


FIG.1

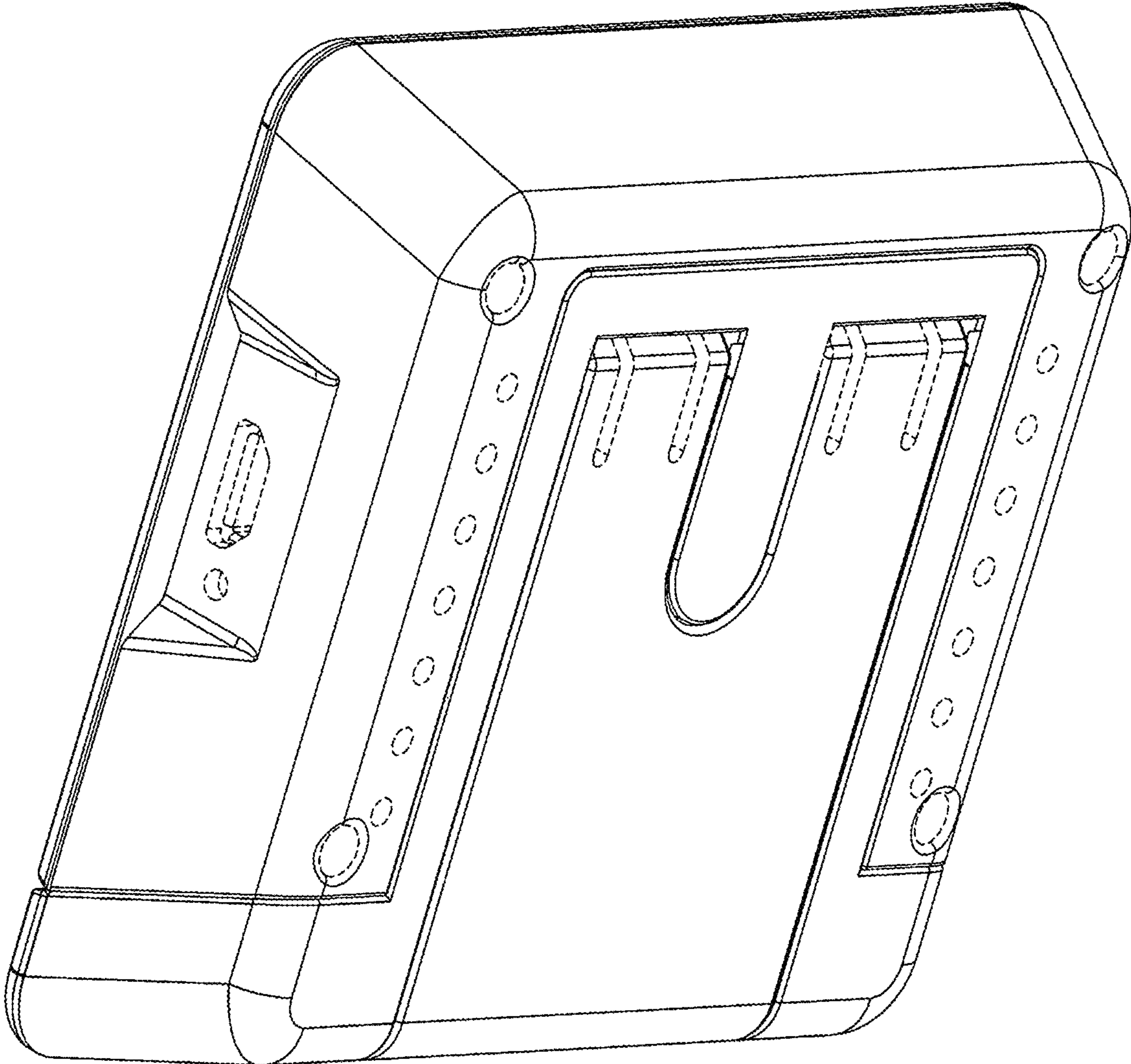


FIG.2

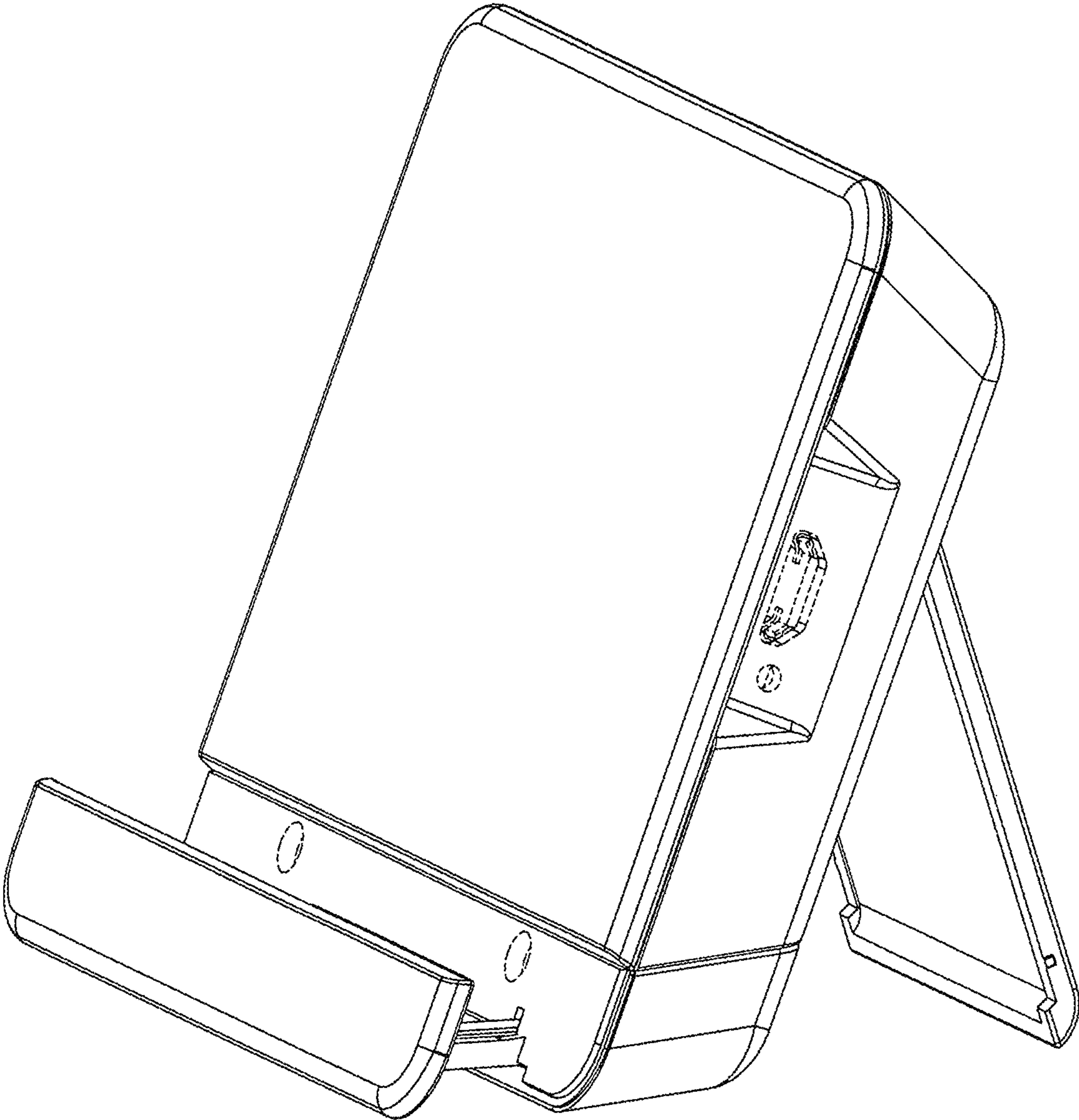


FIG.3

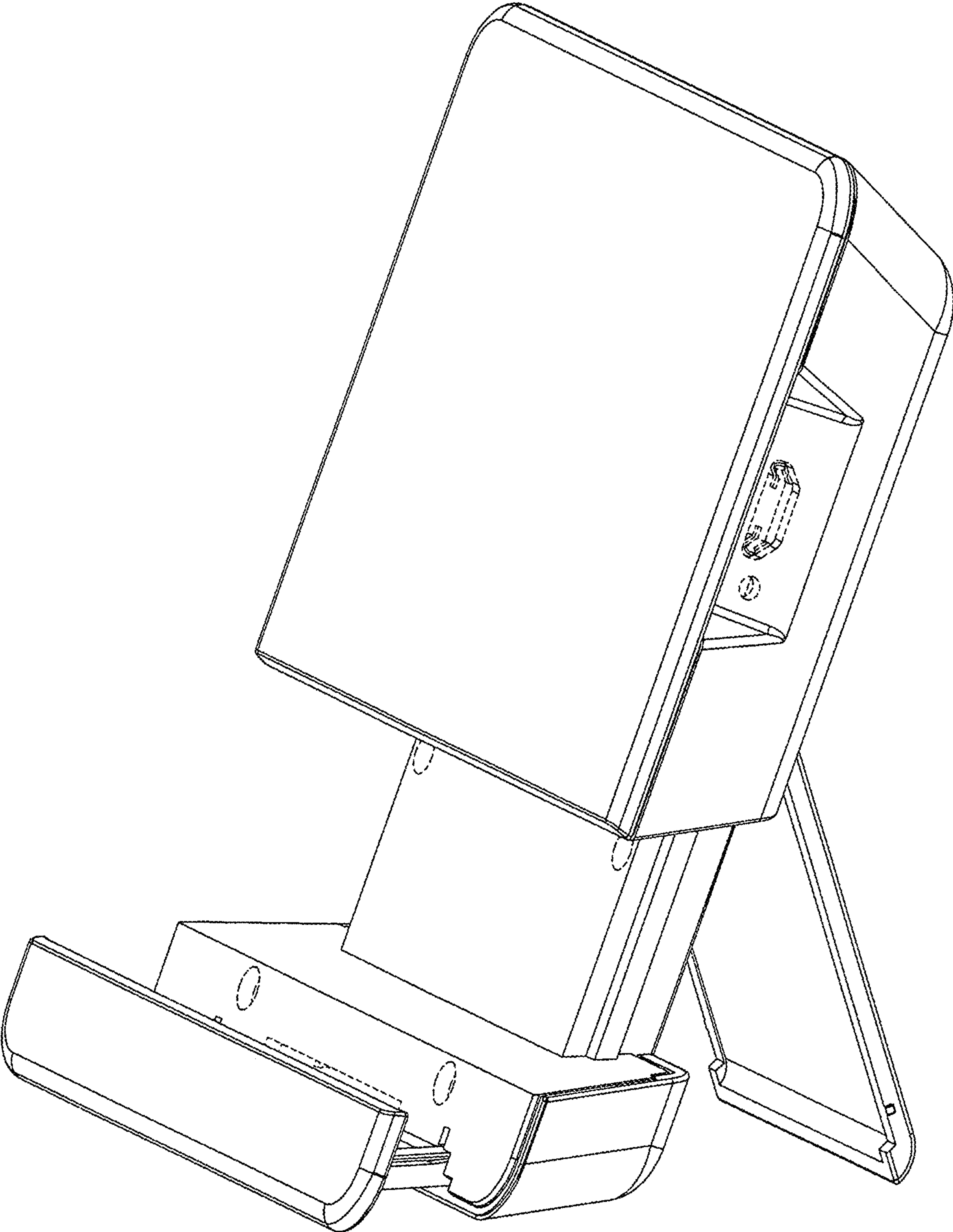


FIG.4

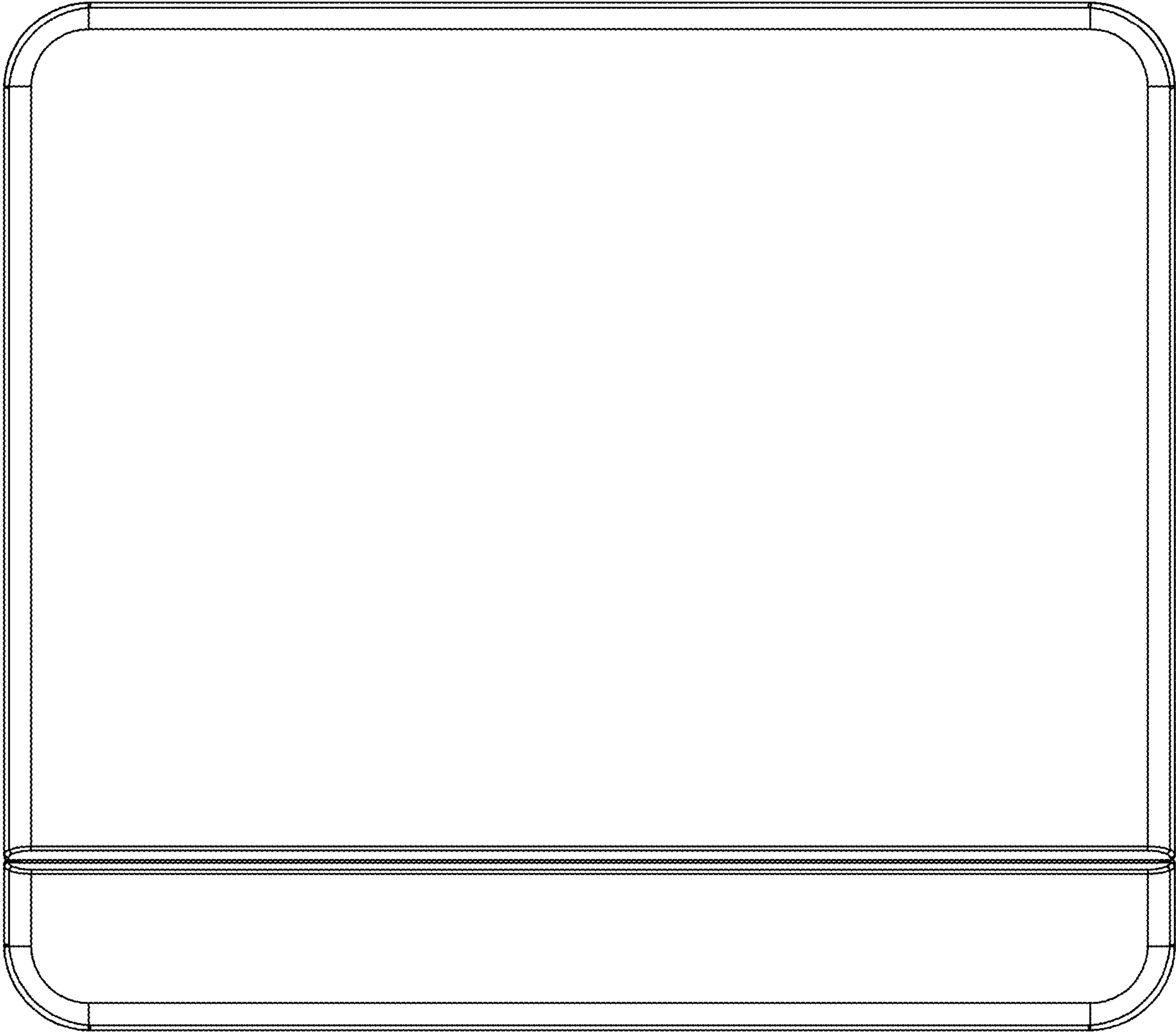


FIG.5

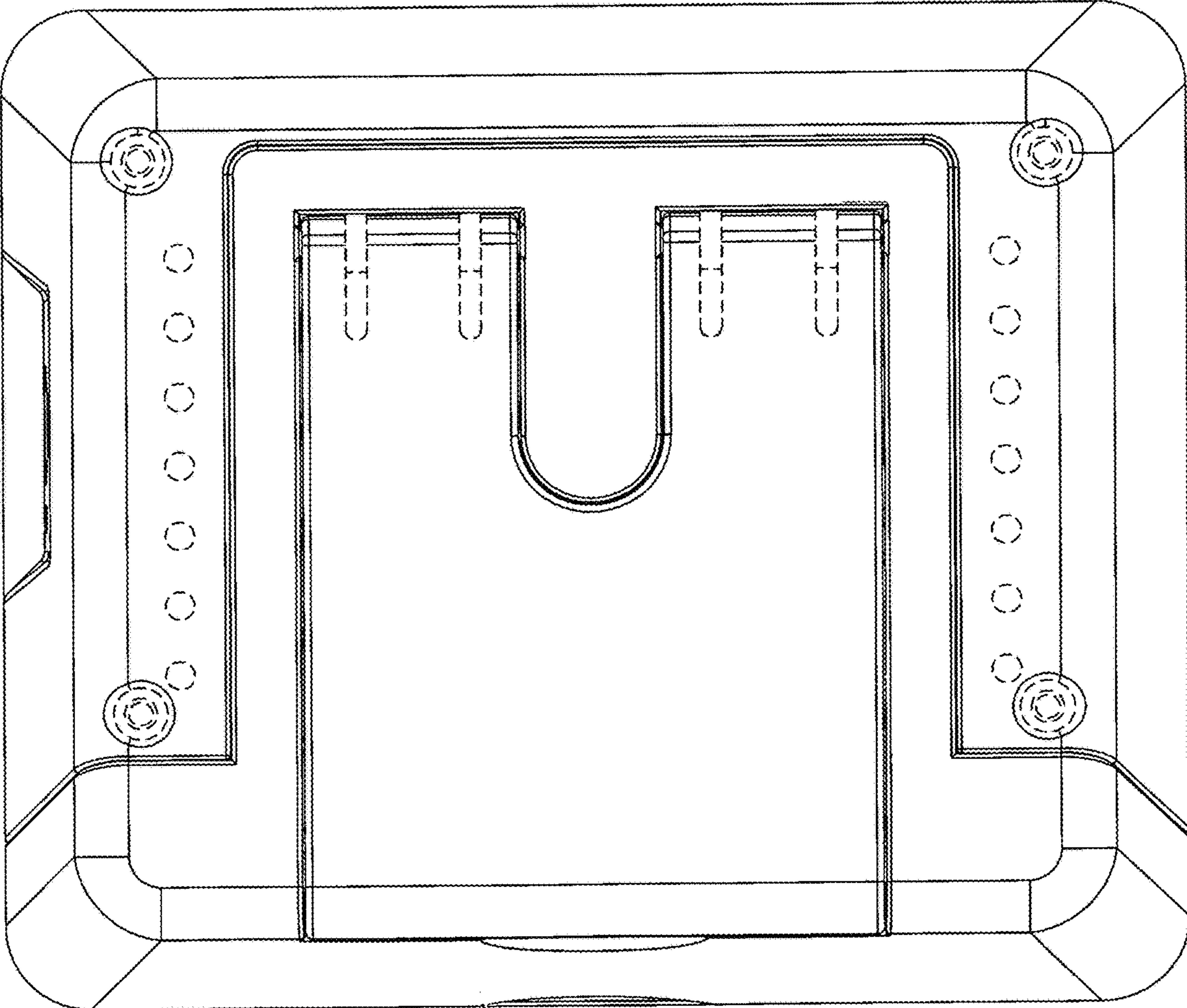


FIG.6

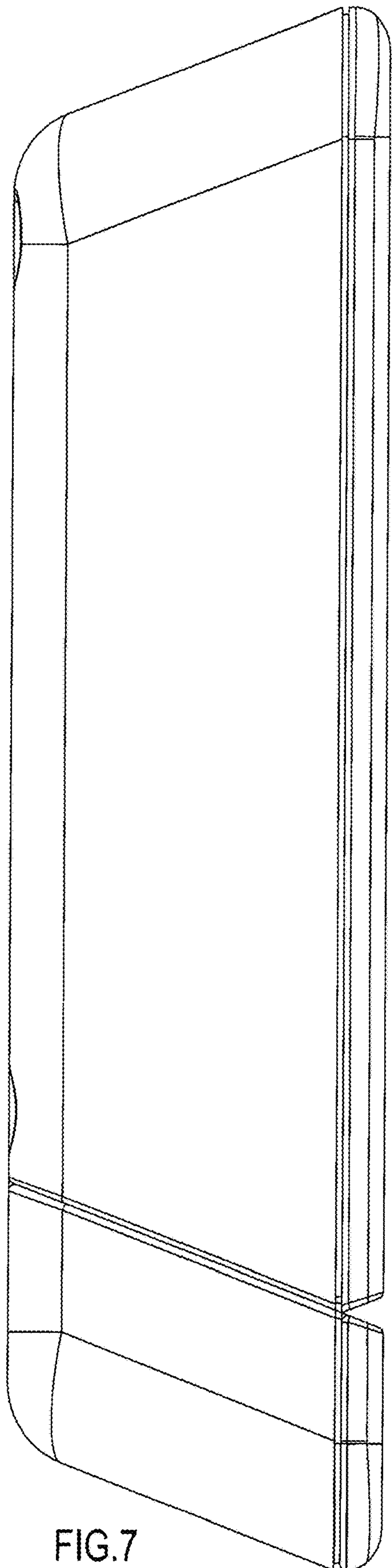


FIG. 7

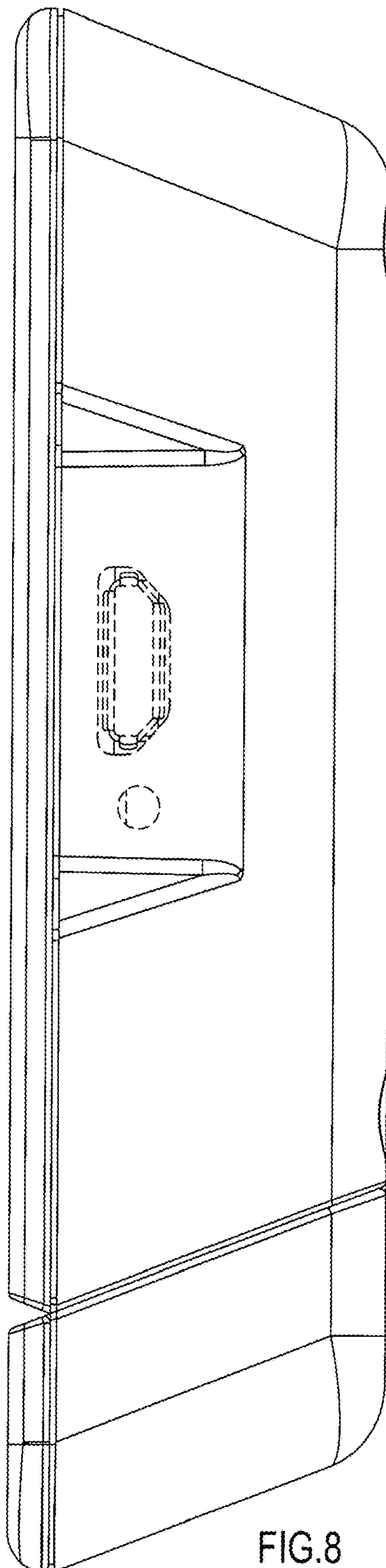


FIG. 8

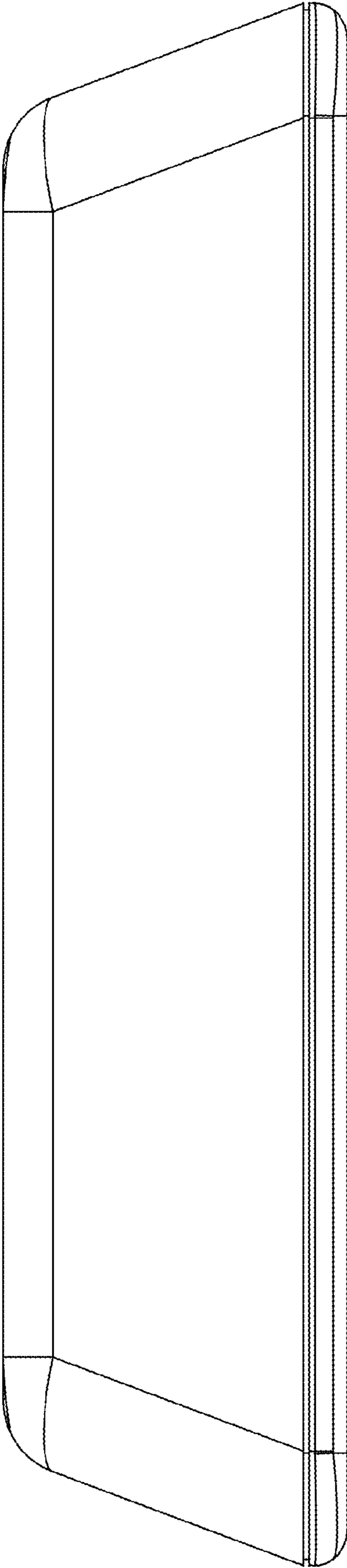


FIG. 9

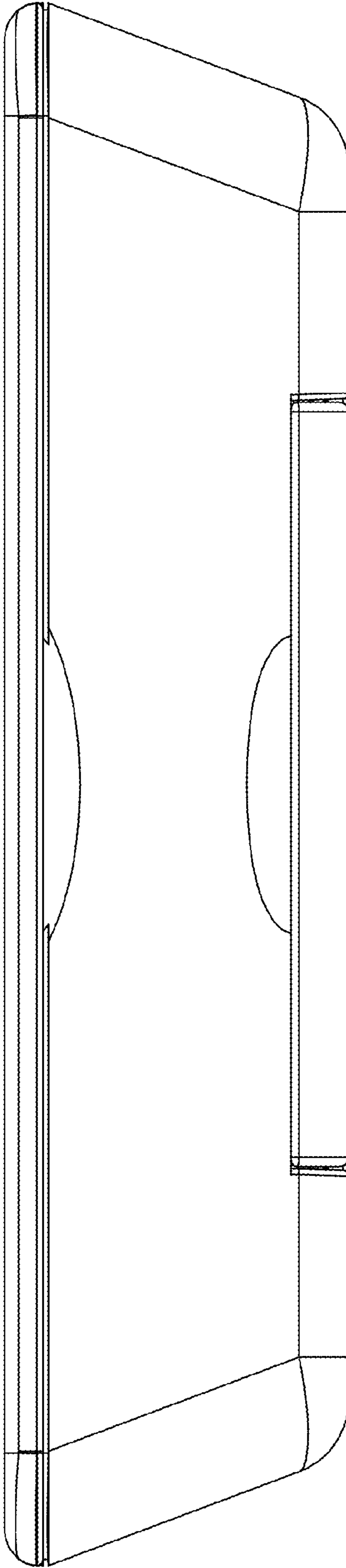


FIG. 10