



US00D934165S

(12) **United States Design Patent**
Zhang

(10) **Patent No.:** **US D934,165 S**

(45) **Date of Patent:** **** Oct. 26, 2021**

(54) **AC CHARGER FOR ELECTRIC VEHICLE**

(71) Applicant: **SIEMENS LTD., CHINA**, Beijing (CN)

(72) Inventor: **Cong Zhang**, Shanghai (CN)

(73) Assignee: **SIEMENS AKTIENGESELLSCHAFT**, Munich (DE)

(**) Term: **15 Years**

(21) Appl. No.: **29/724,946**

(22) Filed: **Feb. 20, 2020**

(30) **Foreign Application Priority Data**

Aug. 21, 2019 (CN) 201930456605.5

(51) **LOC (13) Cl.** **13-02**

(52) **U.S. Cl.**
USPC **D13/107**

(58) **Field of Classification Search**
USPC D13/107, 108, 110, 118, 119, 184, 199;
D14/253, 307, 432, 434
CPC B60L 3/0069; B60L 53/11; B60L 53/16;
B60L 53/18; B60L 53/31; B60L 53/65;
B60L 53/665; B60L 11/185; B60L
11/1809; B60L 11/1825; Y02T 90/14;
Y02T 90/16; Y02T 90/121; Y02T 90/128;
Y02T 90/163; H01M 2/1022; H01M
2/1055; H01M 10/44

See application file for complete search history.

(56) **References Cited**

U.S. PATENT DOCUMENTS

D686,985 S *	7/2013	Henderson	D13/107
D688,200 S *	8/2013	Shin	D13/107
D711,820 S *	8/2014	Zeng	D13/108
D771,563 S *	11/2016	Dolle	D13/107
D786,790 S *	5/2017	Miller	D13/108

* cited by examiner

Primary Examiner — Derrick E Holland

(74) *Attorney, Agent, or Firm* — Henry M. Feiereisen LLC

(57) **CLAIM**

The ornamental design for an AC charger for electric vehicle, as shown and described.

DESCRIPTION

FIG. 1 is a front view of an AC charger for electric vehicle, showing my new design;
FIG. 2 is a rear view thereof;
FIG. 3 is a top view thereof;
FIG. 4 is a bottom view thereof;
FIG. 5 is a right side view thereof;
FIG. 6 is a left side view thereof;
FIG. 7 is a top, front and left side perspective view thereof;
and,
FIG. 8 is a bottom, rear and right side perspective view thereof.

The broken lines shown are included for the purpose of illustrating the portions of the AC charger for electric vehicle that form no part of the claimed design.

1 Claim, 8 Drawing Sheets

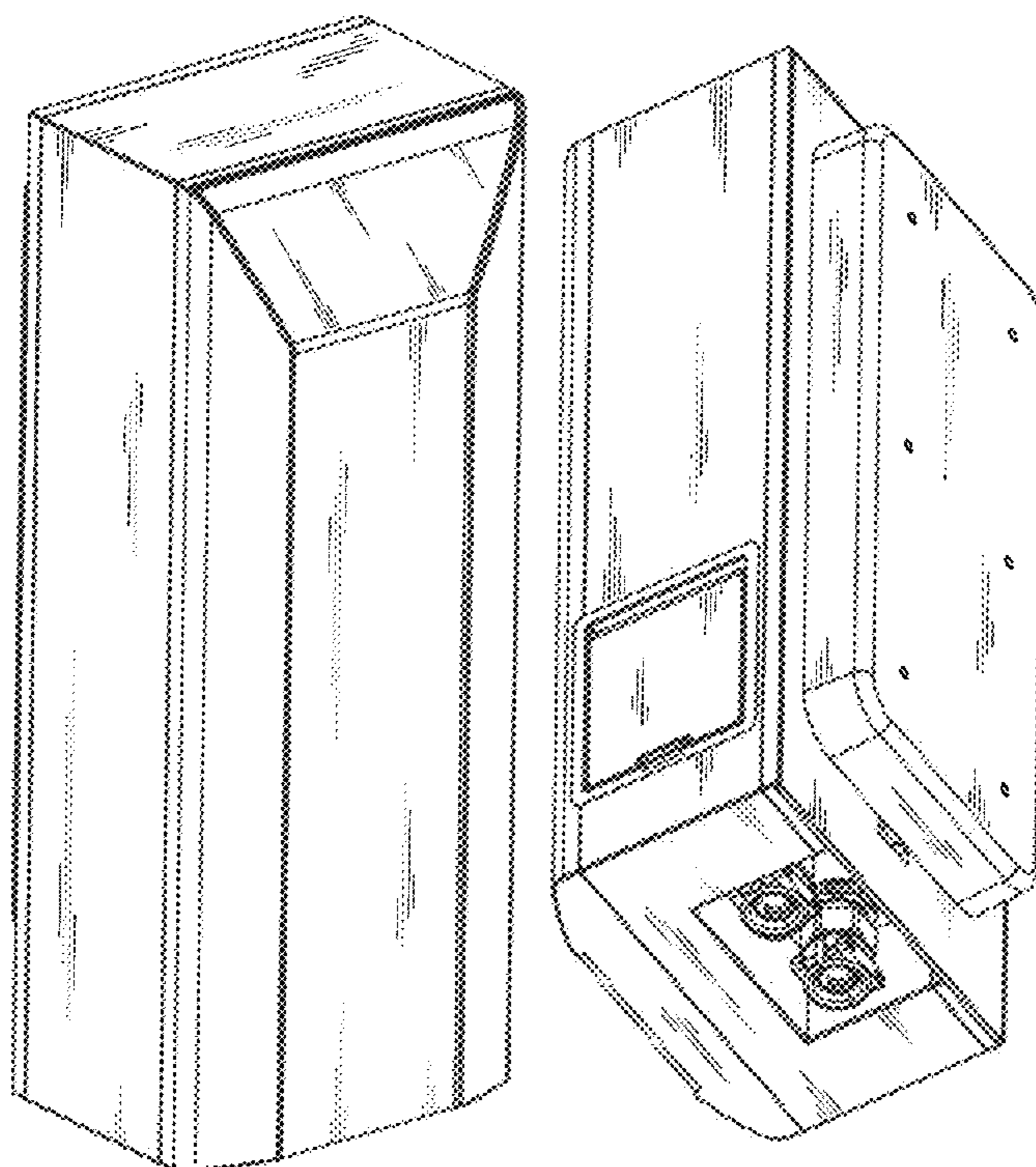


FIG 1

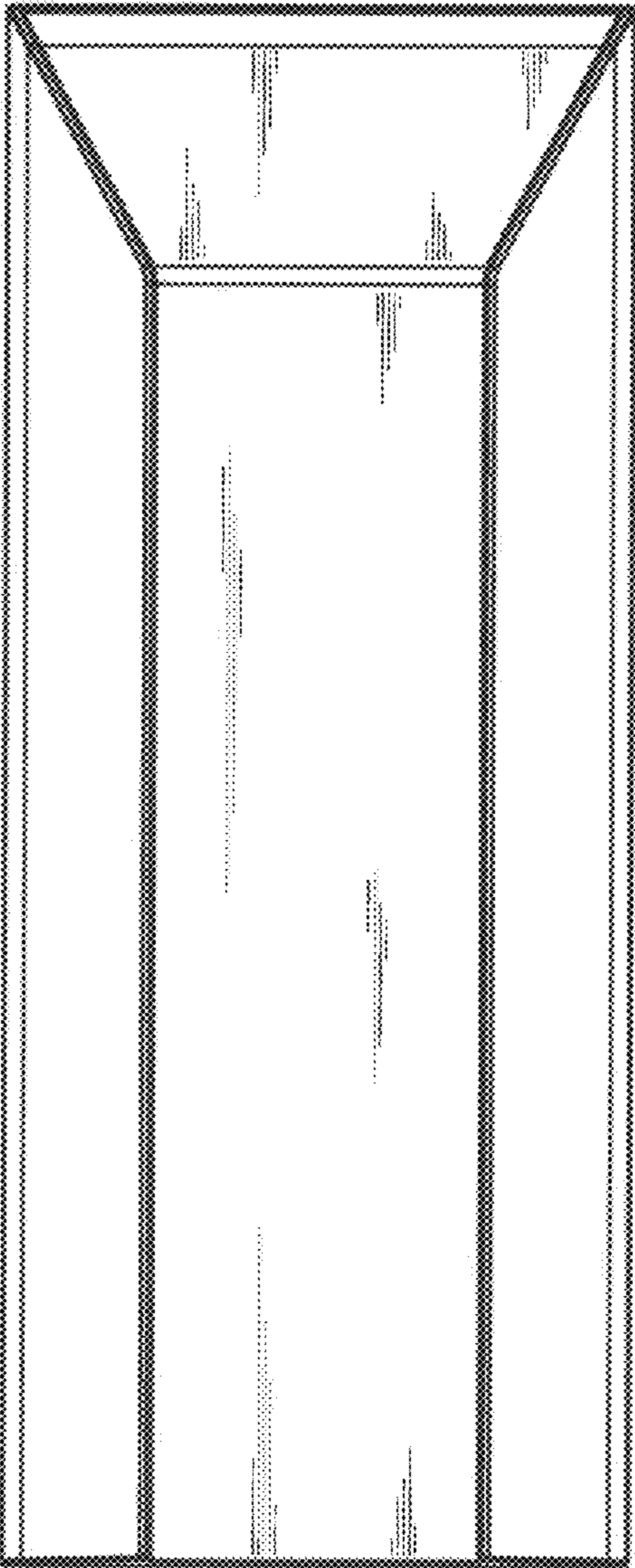


FIG 2

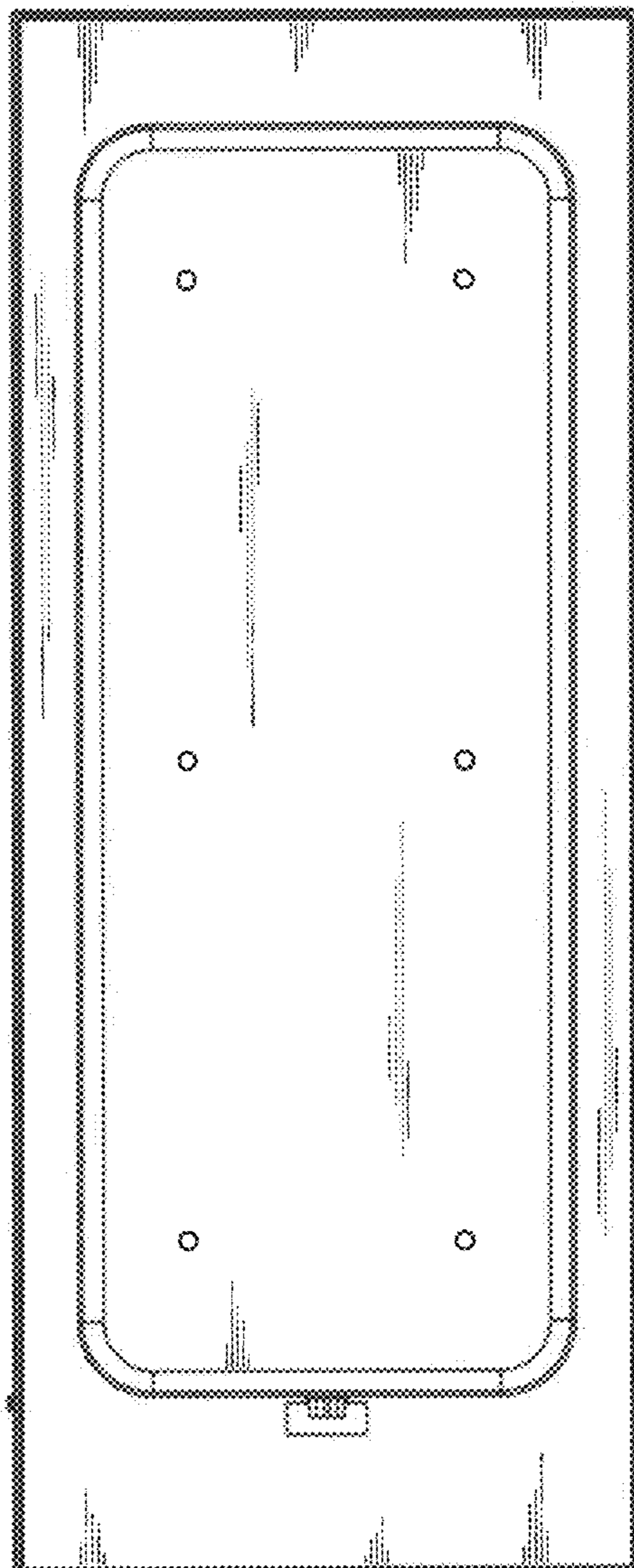


FIG 3

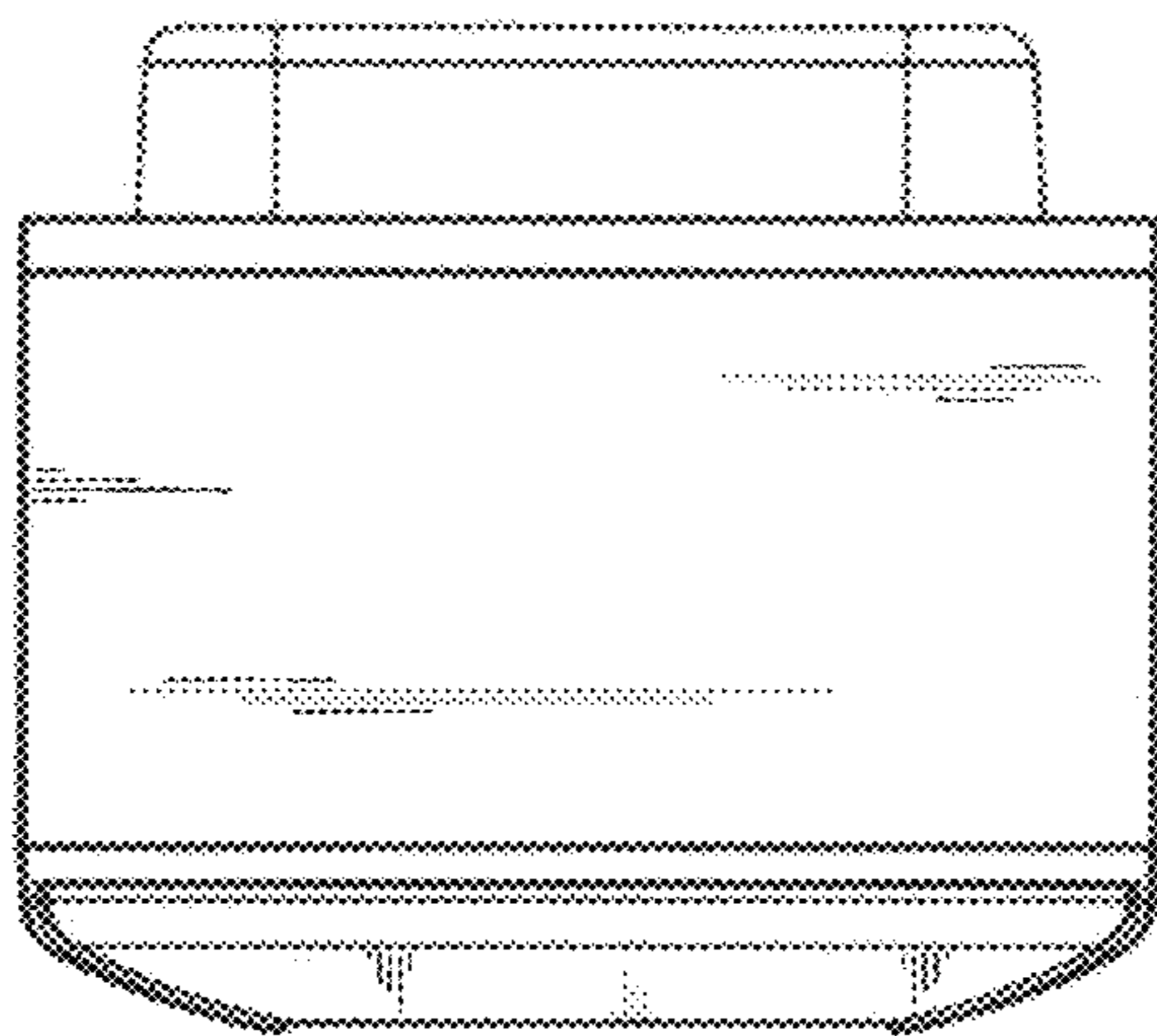


FIG 4

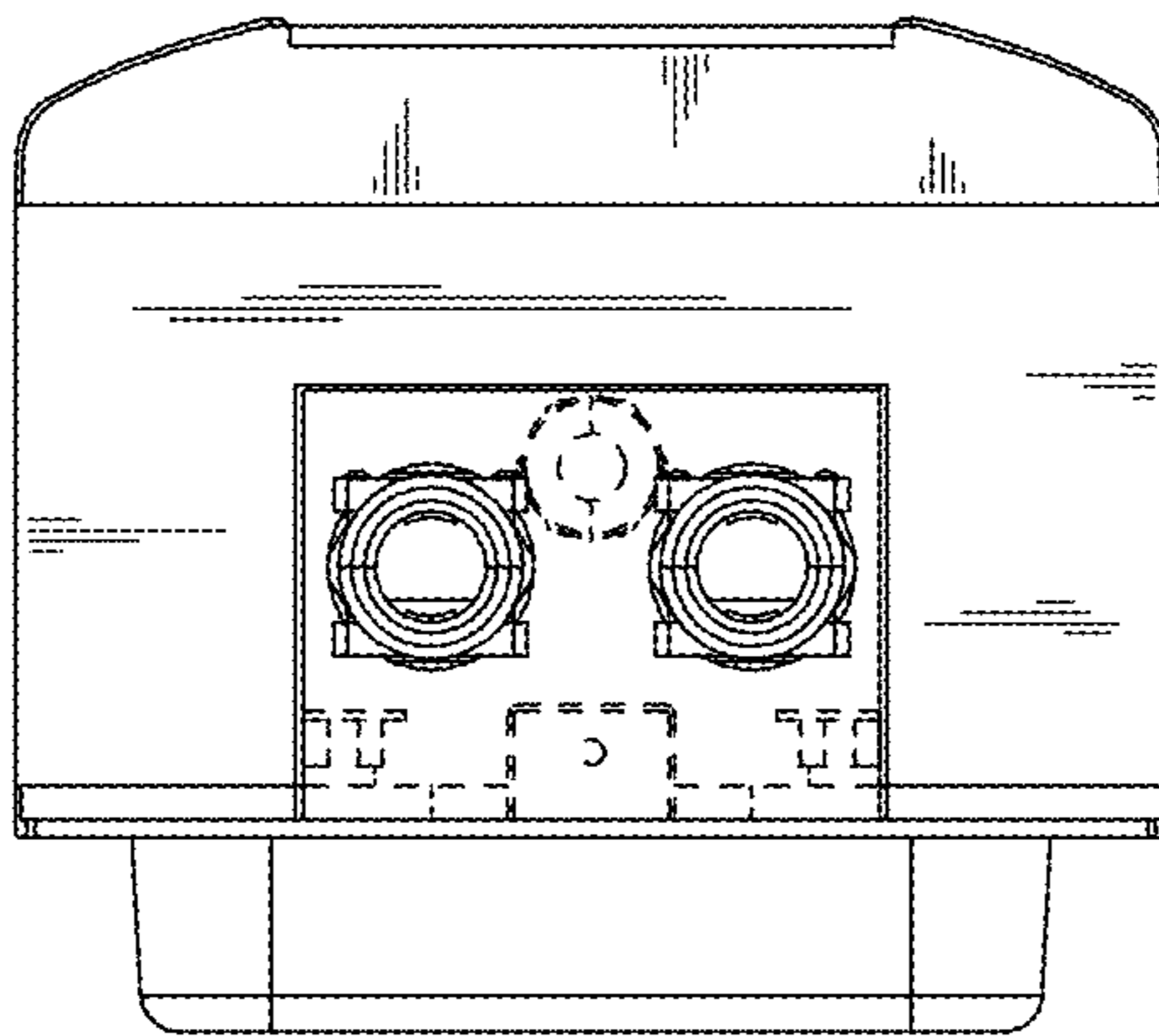


FIG 5

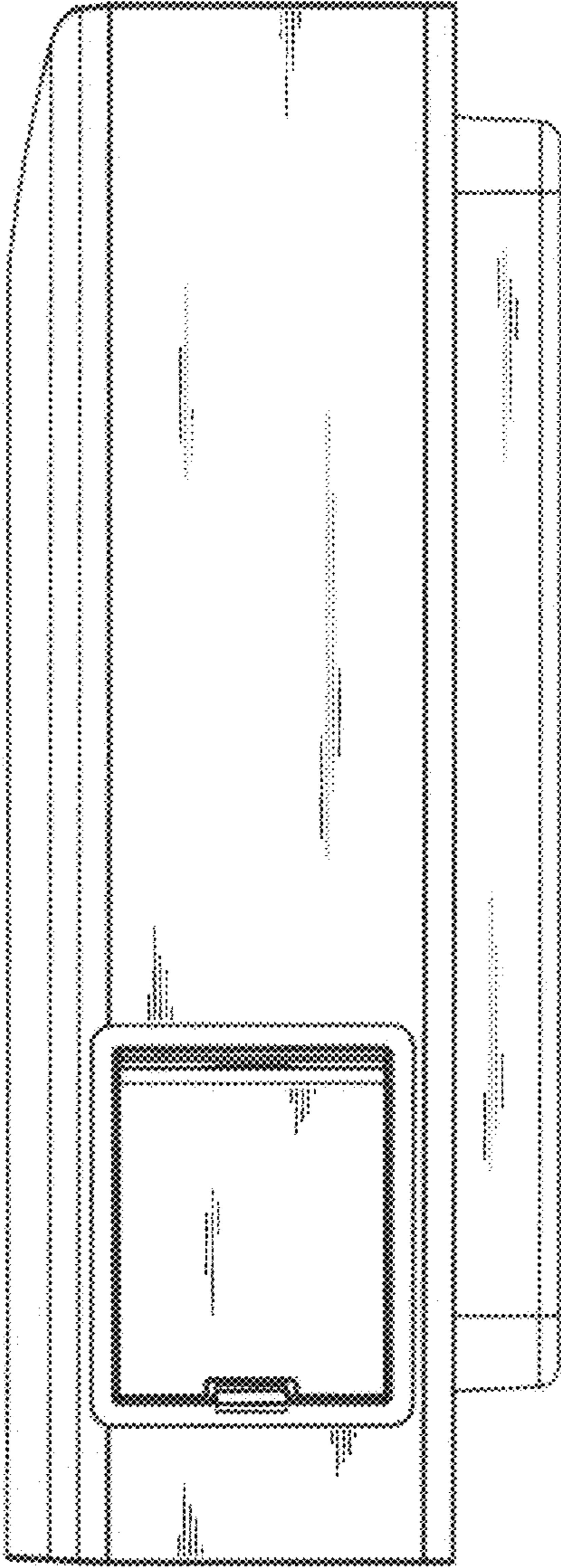


FIG 6

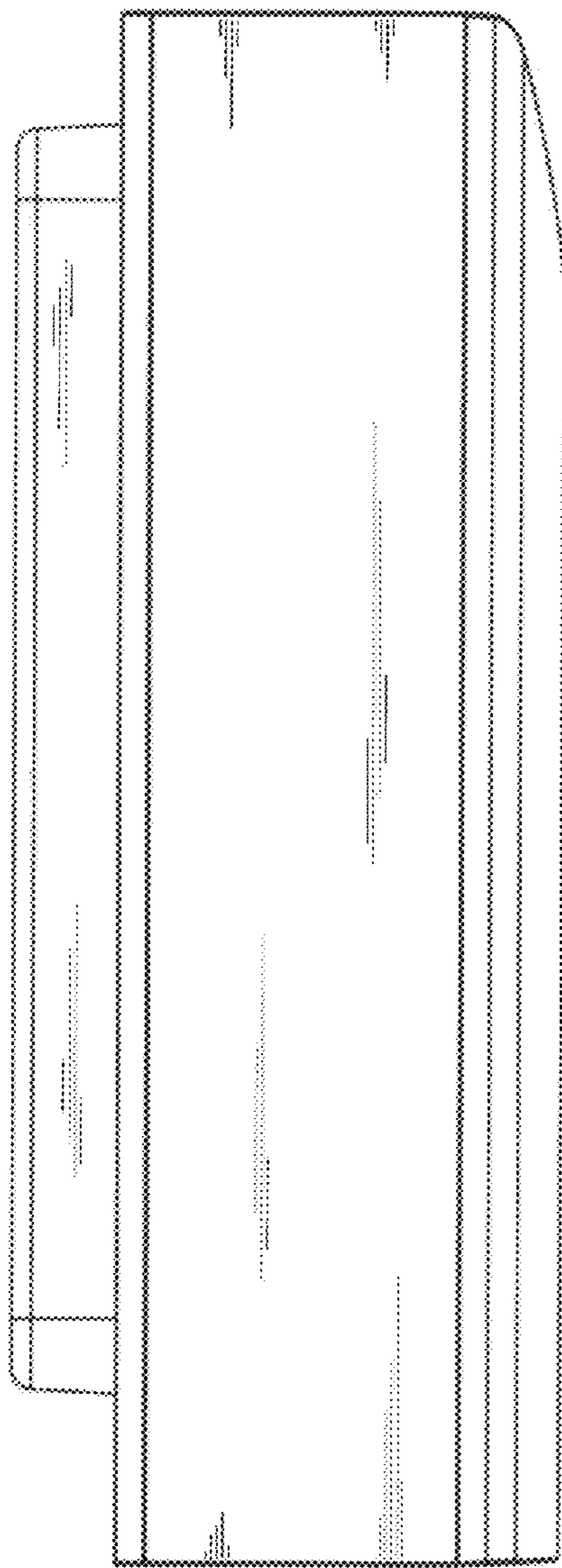


FIG 7

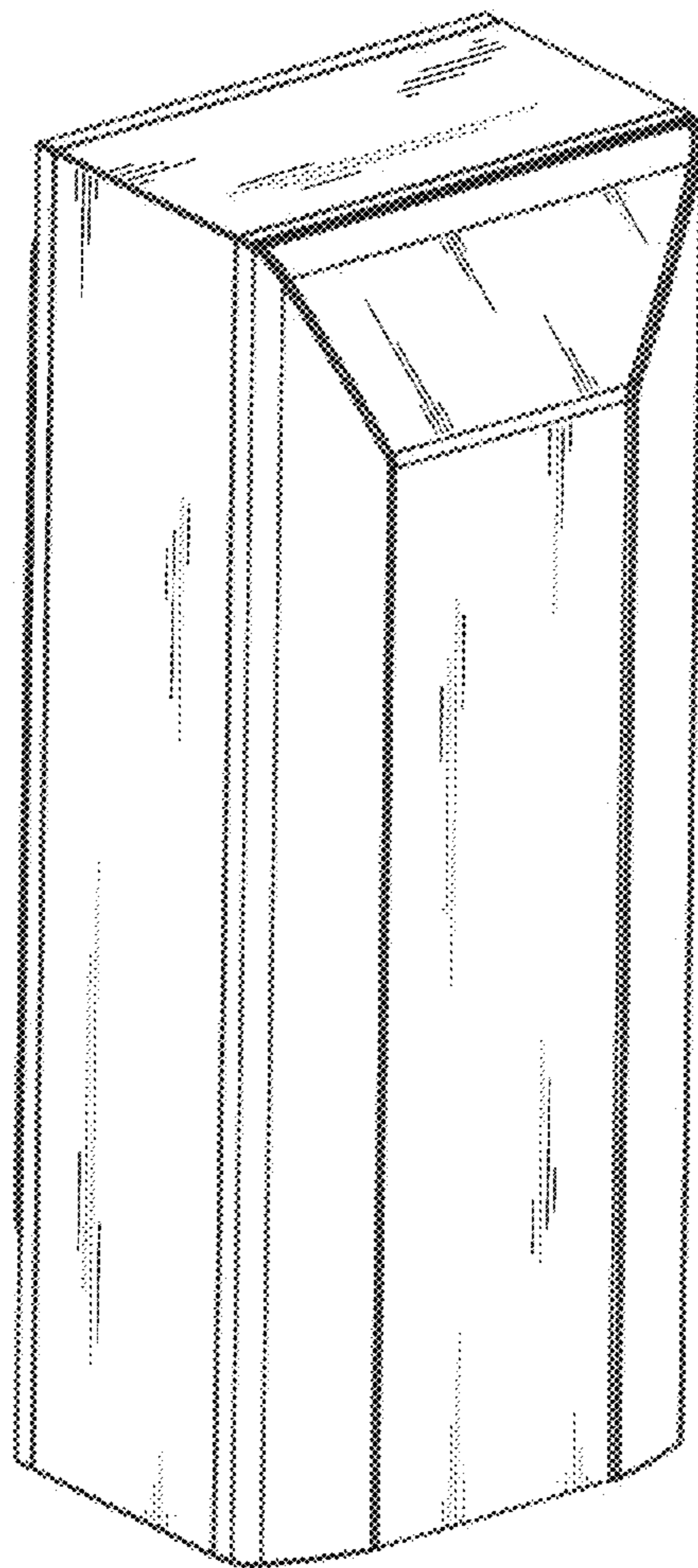


FIG 8

