



US00D934162S

(12) **United States Design Patent**
Parcon

(10) **Patent No.:** **US D934,162 S**

(45) **Date of Patent:** **** Oct. 26, 2021**

(54) **BATTERY**

(71) Applicant: **Critical Tattoo Supply, LLC**, Orange, CA (US)

(72) Inventor: **Jadeanne Parcon**, Eastvale, CA (US)

(73) Assignee: **Critical Tattoo Supply, LLC**, Orange, CA (US)

(**) Term: **15 Years**

(21) Appl. No.: **29/797,420**

(22) Filed: **Jun. 30, 2021**

Related U.S. Application Data

(63) Continuation of application No. 29/736,884, filed on Jun. 3, 2020.

(51) **LOC (13) Cl.** **13-02**

(52) **U.S. Cl.**
USPC **D13/103**

(58) **Field of Classification Search**
USPC D13/102–106, 118, 199, 184
CPC Y02E 60/12; Y02E 60/122; Y02E 60/124;
Y02E 60/50; H01M 2/02; H01M 2/022;
H01M 2/0207; H01M 2/0212; H01M
2/1061; H01M 2/1022; H01M 2/1055;
H01M 2/1066; H01M 2/105; H01M
2/204; H01M 10/4257; H01M 10/0436;
H01M 10/48

See application file for complete search history.

(56) **References Cited**

U.S. PATENT DOCUMENTS

D291,798 S *	9/1987	Curiel	D13/102
D591,232 S *	4/2009	Zhuang	D13/103
D737,972 S *	9/2015	Chen	A61M 37/0076
			D24/146
D739,019 S *	9/2015	Chen	D24/147
D861,622 S *	10/2019	Lawrence	D13/184
D897,946 S *	10/2020	Liu	D13/103
D909,964 S *	2/2021	Sun	D13/108
2020/0306519 A1 *	10/2020	Smead	H02J 7/0045

* cited by examiner

Primary Examiner — Christy Nemeth

(74) *Attorney, Agent, or Firm* — Kevin Schraven; Anooj Patel; Hankin Patent Law, APC

(57) **CLAIM**

The ornamental design for a battery, as shown and described.

DESCRIPTION

FIG. 1 is a bottom and front perspective view of a battery, showing my new design.

FIG. 2 is a top and rear perspective view thereof.

FIG. 3 is a front elevational view thereof.

FIG. 4 is a rear elevational view thereof.

FIG. 5 is right-side elevational view thereof.

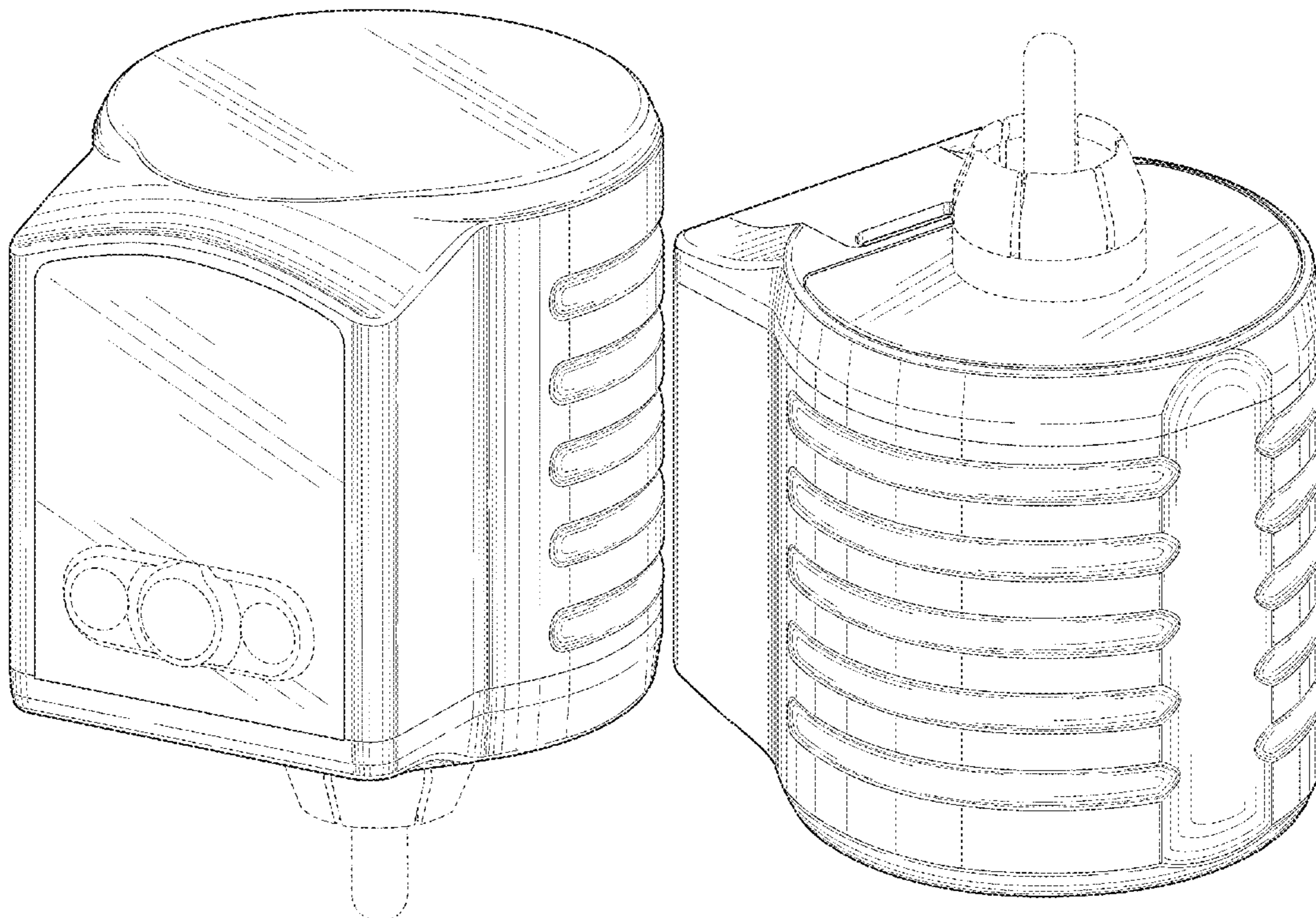
FIG. 6 is a left-side elevational view thereof.

FIG. 7 is a bottom plan view thereof; and,

FIG. 8 is a top plan view thereof.

The broken lines showing a connector and a control interface form no part of the claimed design.

1 Claim, 8 Drawing Sheets



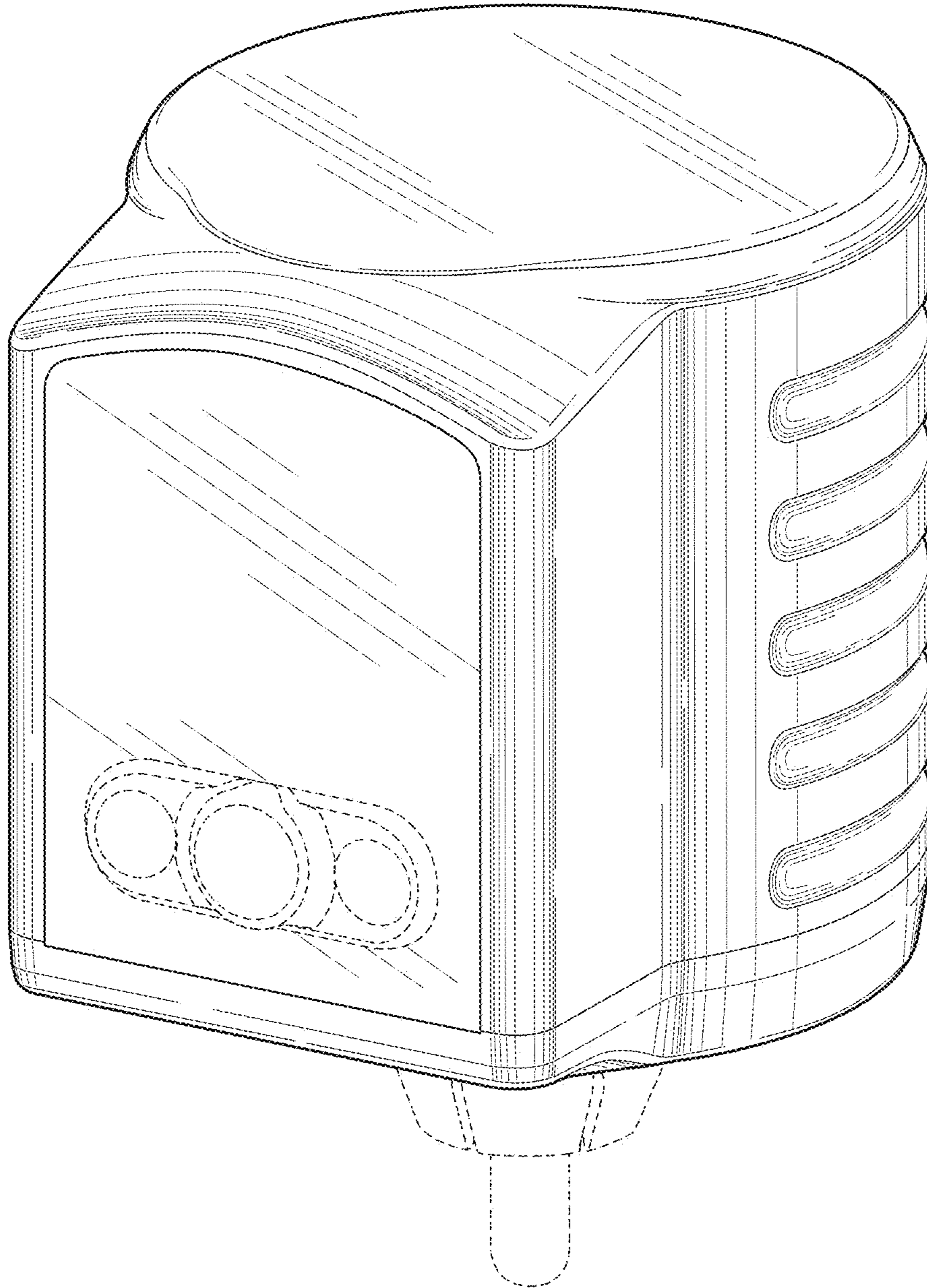


Fig. 1

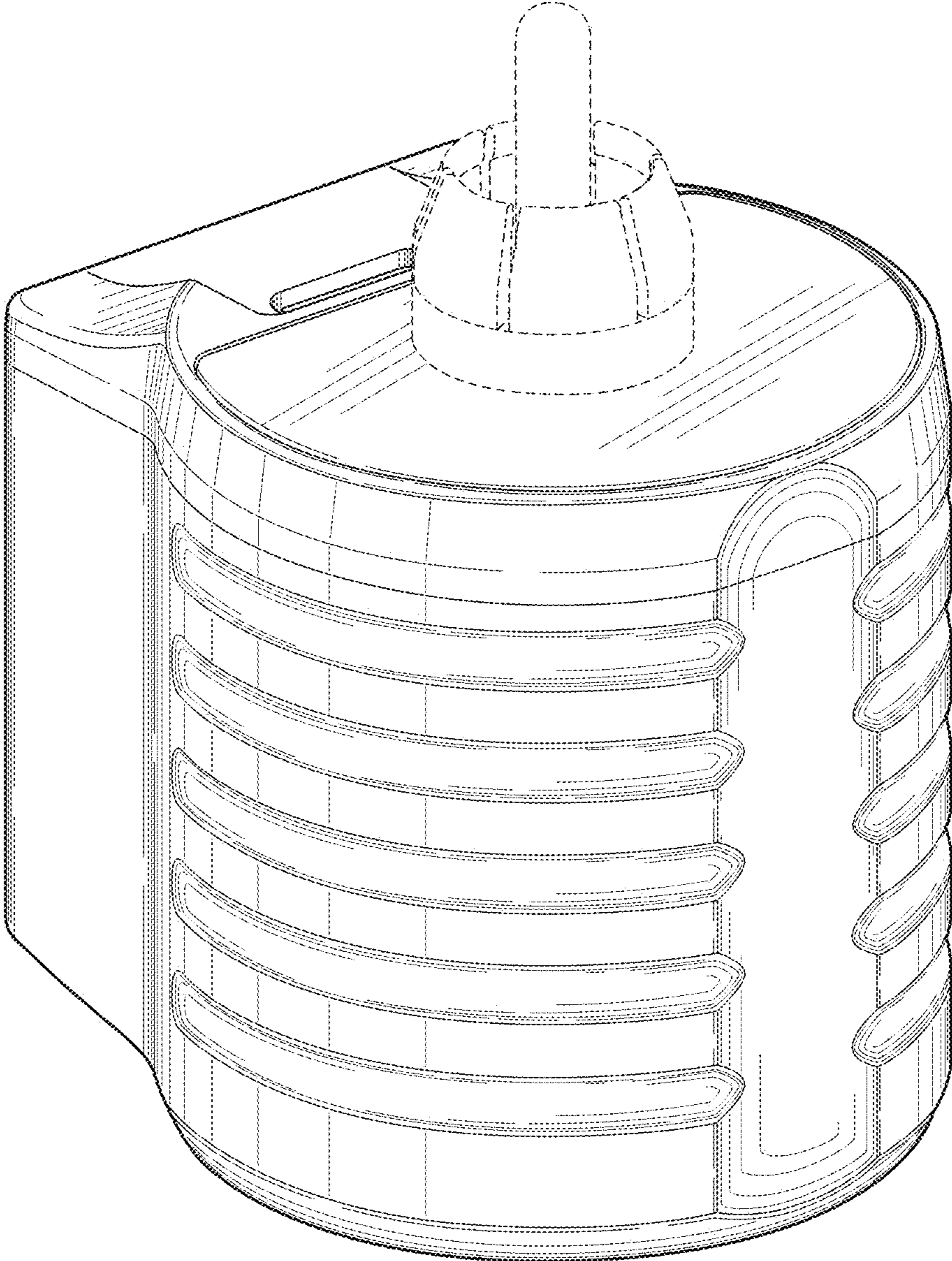


Fig.2

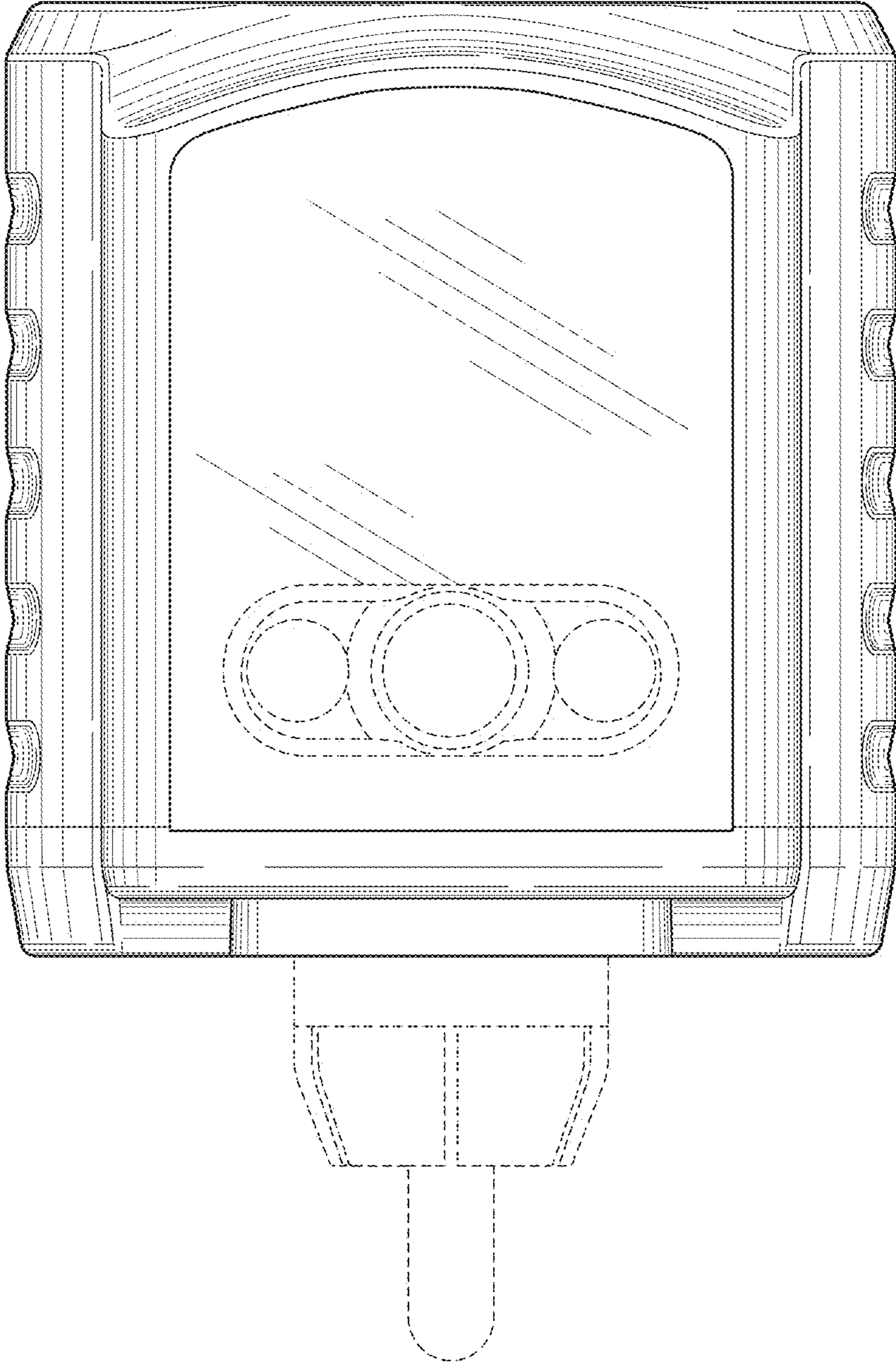


Fig.3

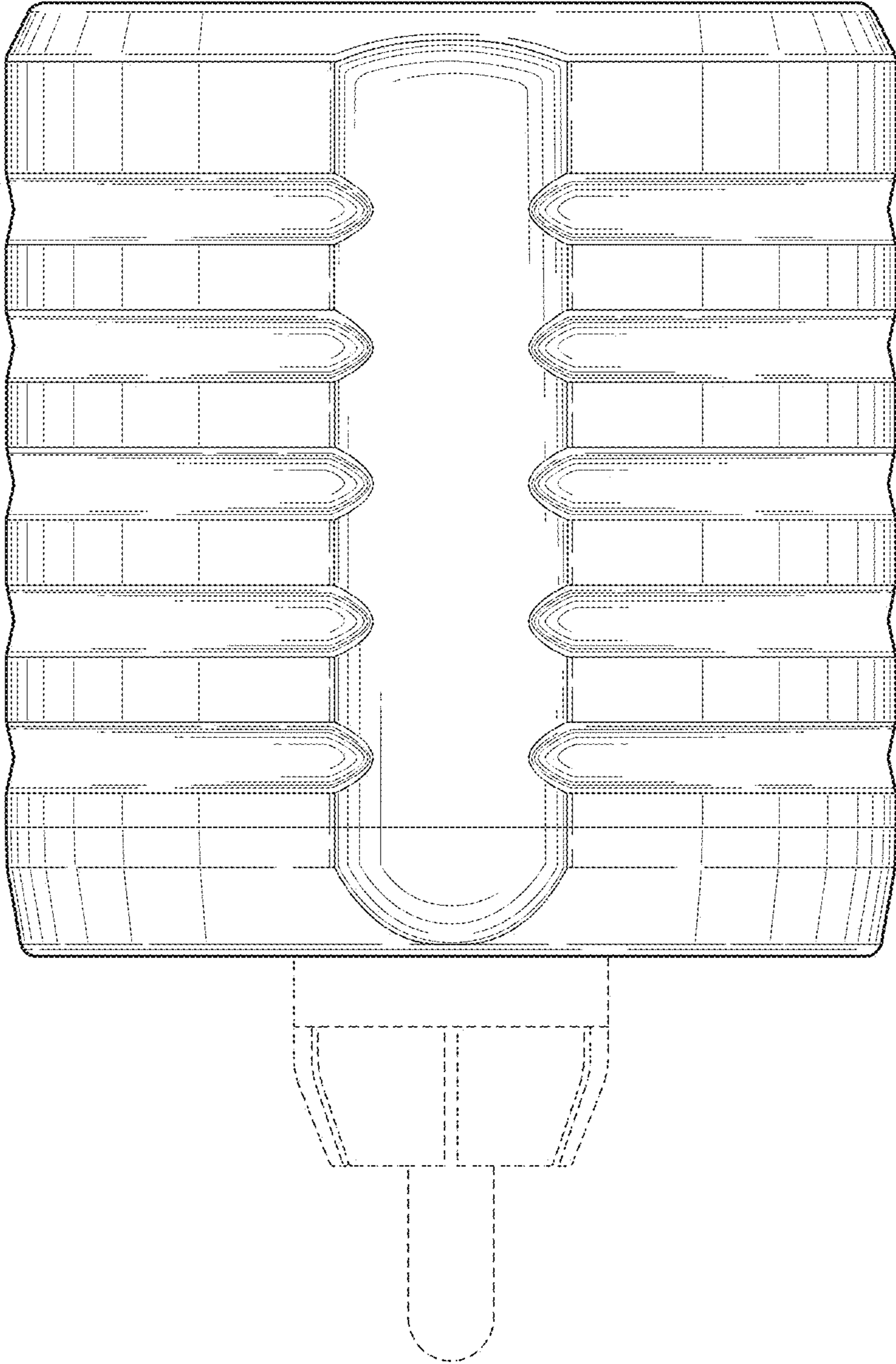


Fig.4

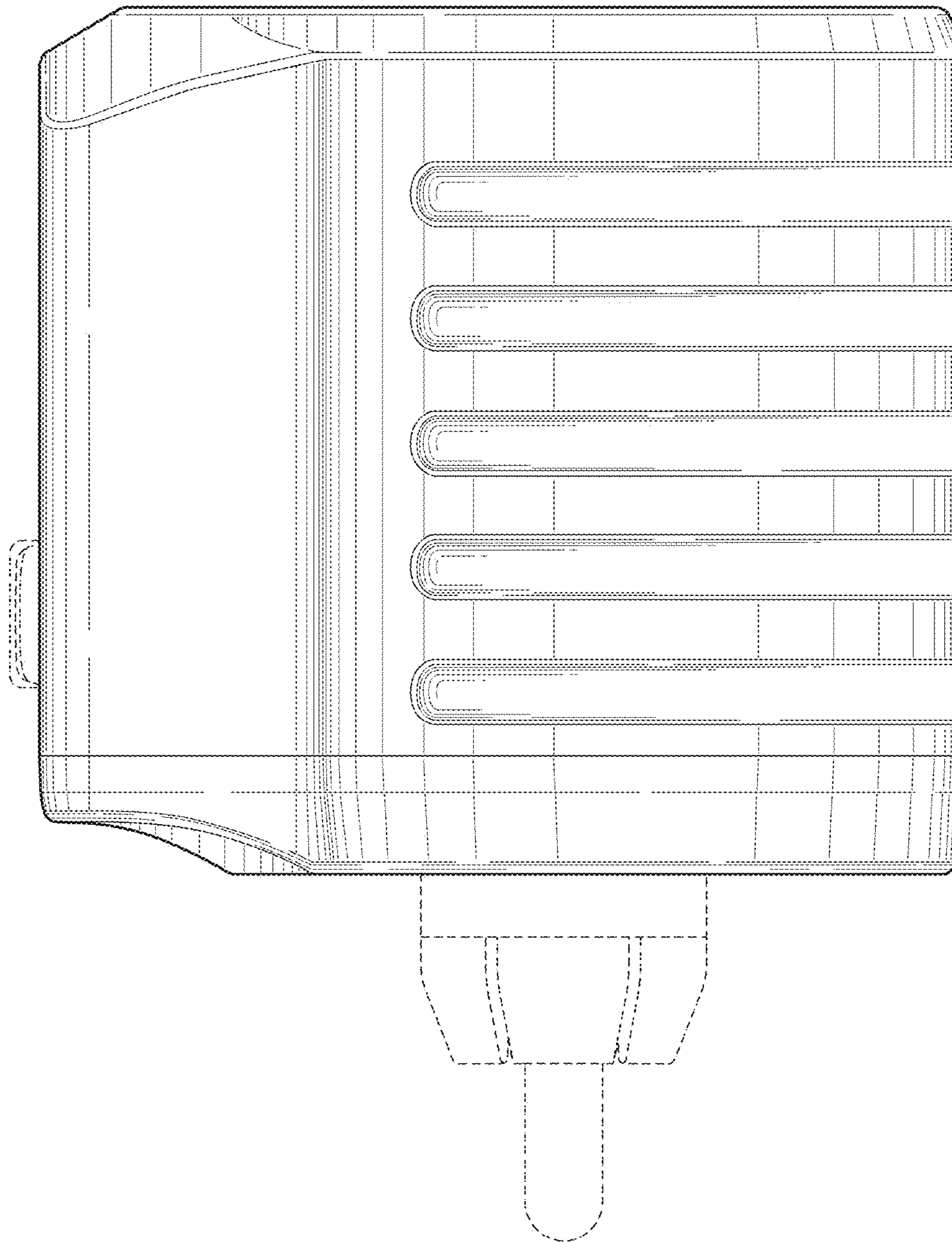


Fig. 5

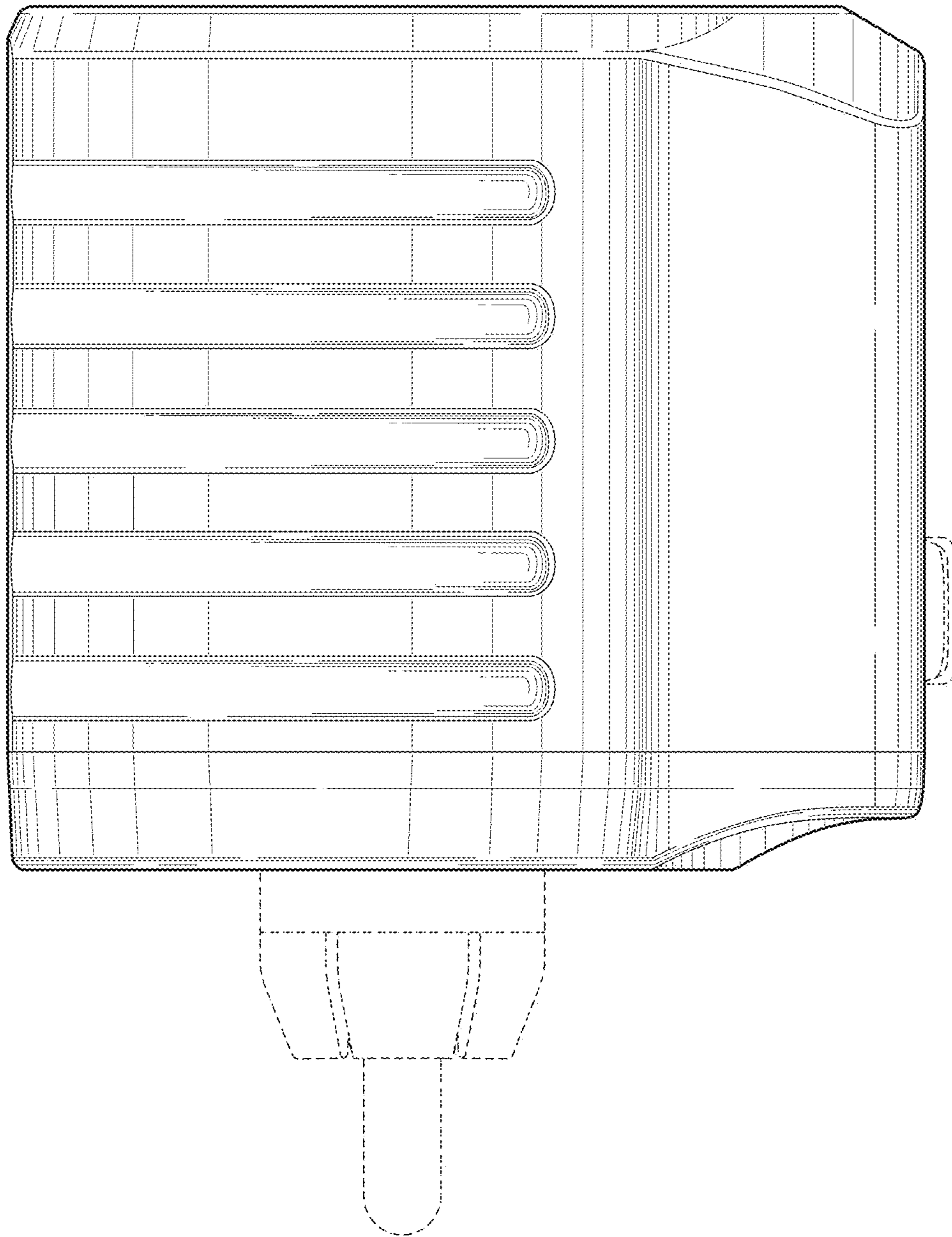


Fig.6

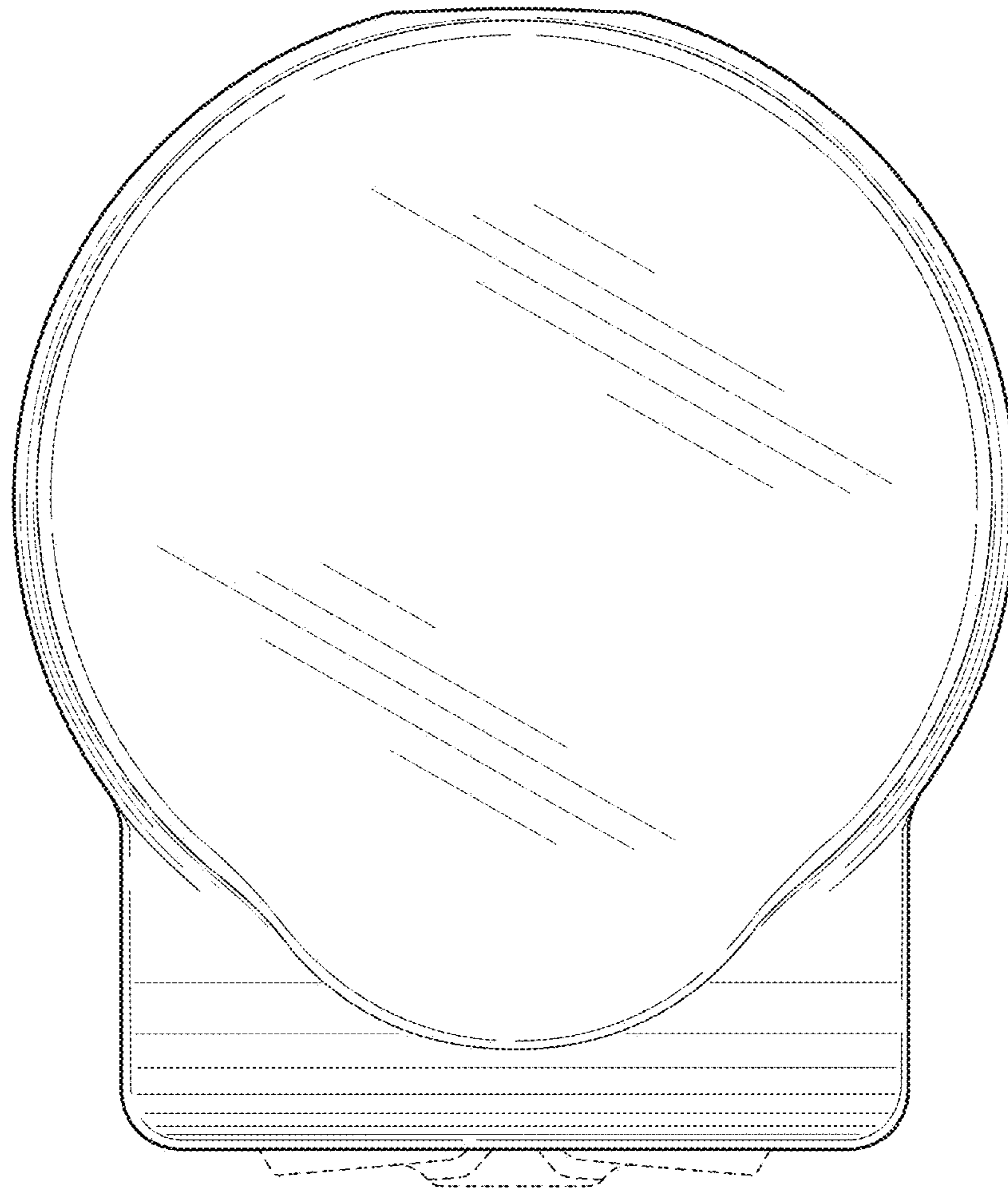


Fig.7

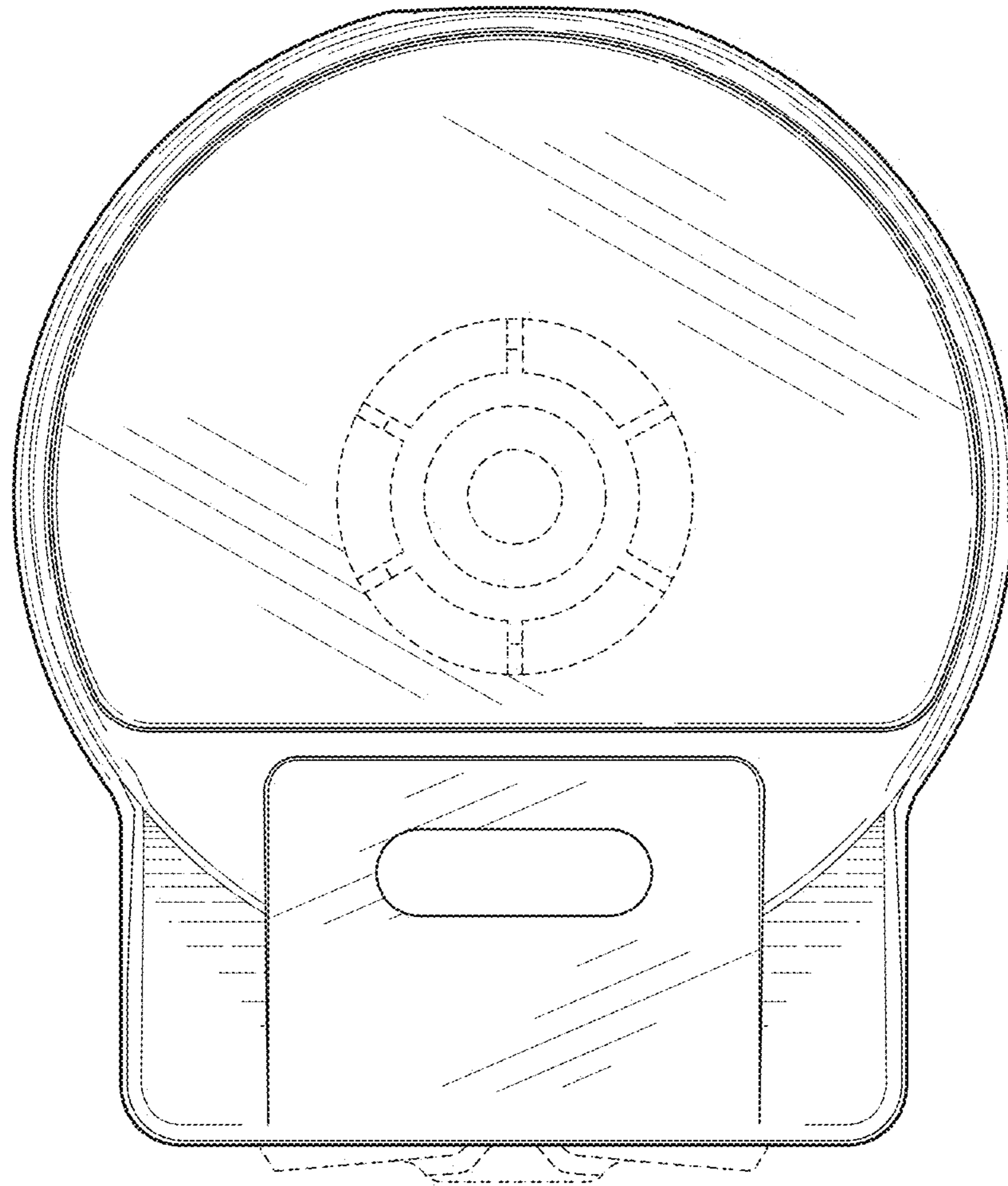


Fig.8