



US00D934161S

(12) **United States Design Patent** (10) **Patent No.:** **US D934,161 S**
Shen et al. (45) **Date of Patent:** **** Oct. 26, 2021**

(54) **BATTERY**

(71) Applicant: **ZEBRA TECHNOLOGIES CORPORATION**, Lincolnshire, IL (US)

(72) Inventors: **Mu-Kai Shen**, Taipei (TW); **Edward M. Voli**, East Setauket, NY (US); **I-Heng Tsai**, Taipei (TW); **Man-Ching Yen**, Taipei (TW)

(73) Assignee: **Zebra Technologies Corporation**, Lincolnshire, IL (US)

(**) Term: **15 Years**

(21) Appl. No.: **29/780,627**

(22) Filed: **Apr. 26, 2021**

Related U.S. Application Data

(63) Continuation of application No. 29/752,231, filed on Sep. 25, 2020, now Pat. No. Des. 918,832, which is a continuation of application No. 29/670,720, filed on Nov. 19, 2018, now Pat. No. Des. 900,021.

(51) **LOC (13) Cl.** **13-02**

(52) **U.S. Cl.**
USPC **D13/103**

(58) **Field of Classification Search**
USPC D13/107-110, 118-119, 184; D14/251, D14/253, 432, 434
CPC Y02E 60/12; Y02T 90/14; Y02T 90/122; Y02T 90/128; Y02T 90/163; H02J 7/025; H02J 7/0042; H02J 7/0044; H02J 7/0045; H02J 7/0013; H02J 7/0003; H01F 38/14; H01R 13/6675; H01M 2/1022; H01M 2/1055; H01M 10/44; H01M 10/46; H01M 10/425; B60L 11/182
See application file for complete search history.

(56) **References Cited**

U.S. PATENT DOCUMENTS

D303,524 S	9/1989	Siegner et al.	
D397,670 S	9/1998	Davies et al.	
D426,190 S *	6/2000	Higgins	D13/103
D432,493 S *	10/2000	Killebrew	D13/103
6,605,923 B1 *	8/2003	Kellogg	H02J 7/0013 320/110
D481,008 S	10/2003	Wade	
D483,725 S *	12/2003	Thompson	D13/184
D488,436 S	4/2004	Wulff	
D492,248 S	6/2004	Gregory et al.	
D504,659 S	5/2005	Voli et al.	
D520,444 S	5/2006	Liu	
D562,760 S	2/2008	Hanks	
D566,650 S *	4/2008	McGowan	D13/110
D571,718 S	6/2008	Morris et al.	

(Continued)

OTHER PUBLICATIONS

MC9200 Series: EMC Configuration and Accessories Guide, Pub: Jan. 2018, p. 18.

Primary Examiner — Nathaniel D. Buckner

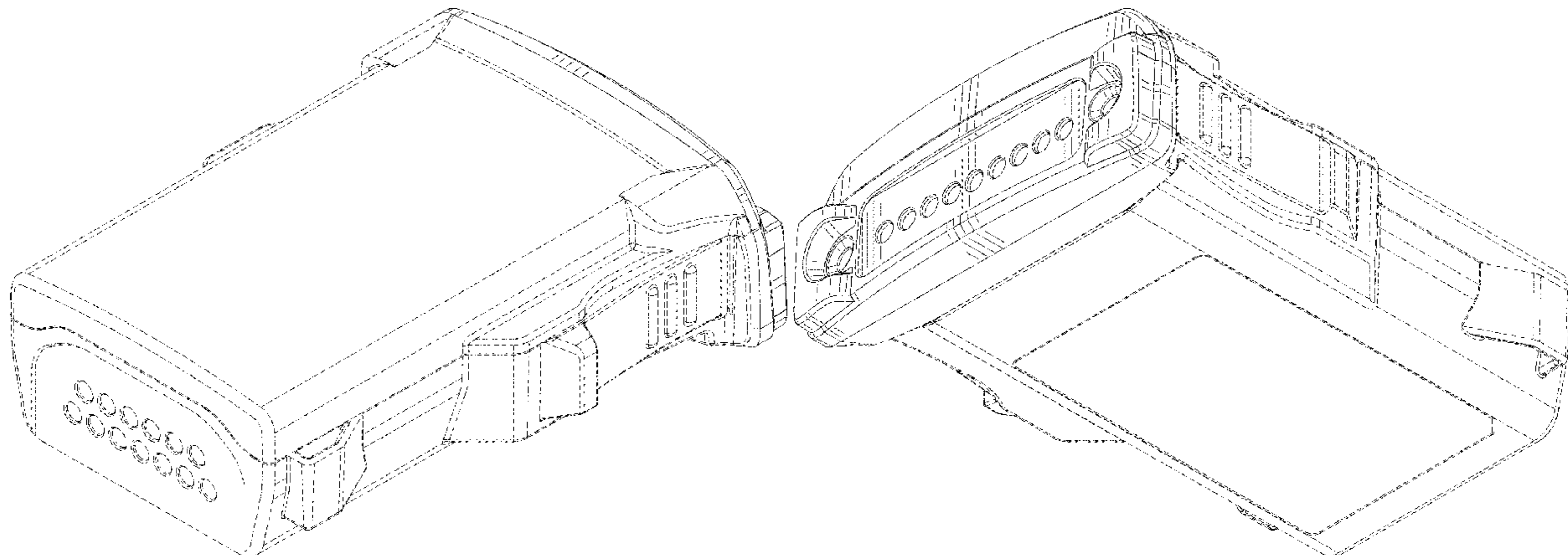
(57) **CLAIM**

We claim the ornamental design for a battery, as shown and described.

DESCRIPTION

FIG. 1 is a front perspective view of a battery showing our new design;
FIG. 2 is a rear perspective view thereof;
FIG. 3 is a top view thereof;
FIG. 4 is a bottom view thereof;
FIG. 5 is a first side view thereof;
FIG. 6 is a second side view thereof;
FIG. 7 is a front view thereof; and,
FIG. 8 is a rear view thereof.
The broken lines in the figures depict portions of the battery which form no part of the claimed design.

1 Claim, 6 Drawing Sheets



(56)

References Cited

U.S. PATENT DOCUMENTS

D578,959 S	10/2008	Morishita et al.	
D580,352 S	11/2008	Croley	
D581,866 S *	12/2008	Choi	D13/103
D587,647 S	3/2009	Croley et al.	
D613,244 S	4/2010	Palmer et al.	
D621,393 S *	8/2010	Panahi	D14/250
D632,643 S	2/2011	Tanaka et al.	
D642,517 S	8/2011	Inman et al.	
D654,850 S	2/2012	Obata	
D660,788 S	5/2012	Ziring et al.	
D680,061 S	4/2013	Jiang et al.	
D712,347 S	9/2014	Awiszus et al.	
D721,707 S *	1/2015	Rooyakkers	D14/435
D766,175 S	9/2016	Tsiopanos et al.	
D789,931 S *	6/2017	Drew	D14/357
D845,377 S *	4/2019	Masano	D16/242
D849,996 S *	5/2019	Duque	D27/194
D886,046 S *	6/2020	Lim	D13/103
D900,021 S *	10/2020	Shen	D13/103

* cited by examiner

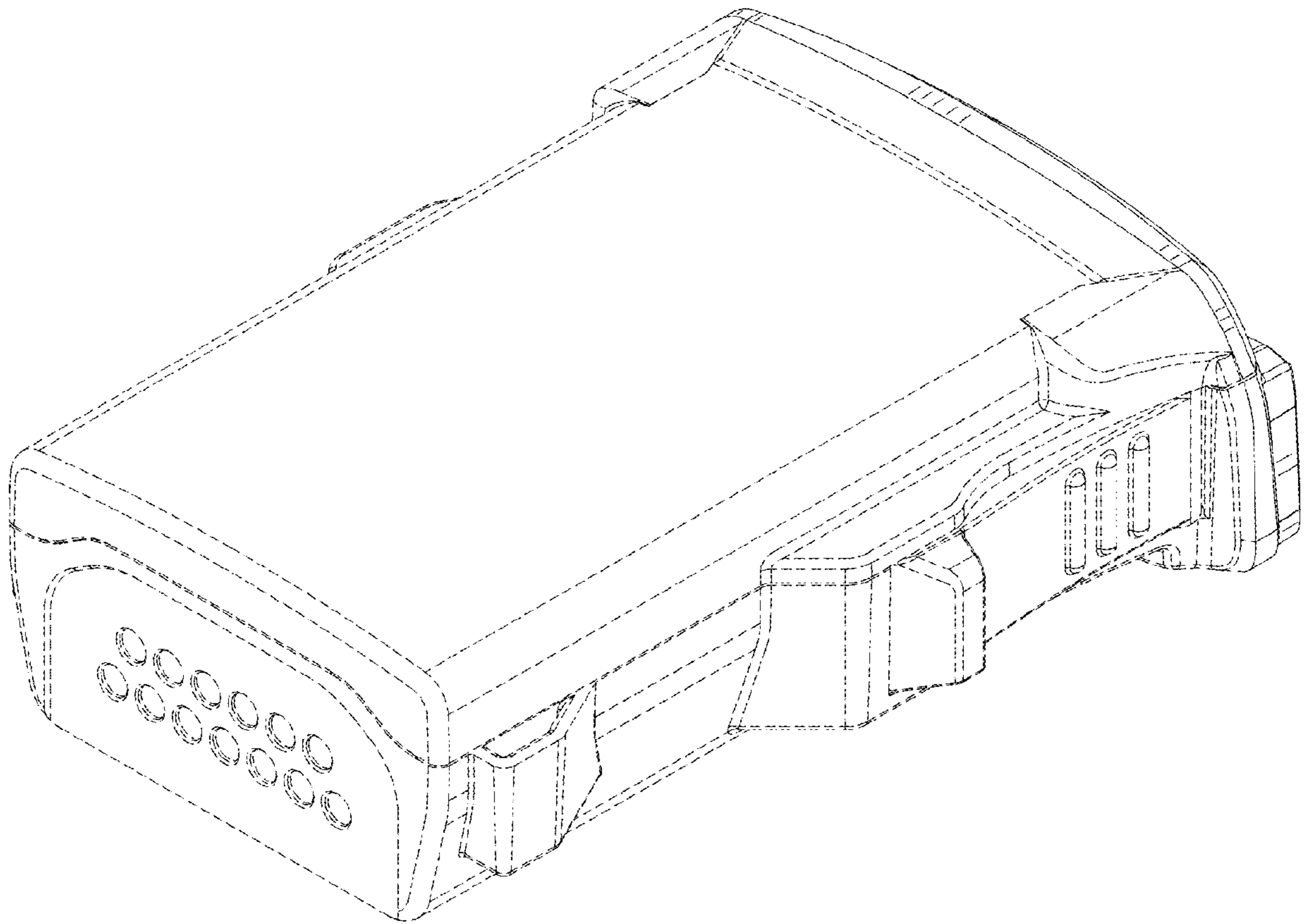


FIG. 1

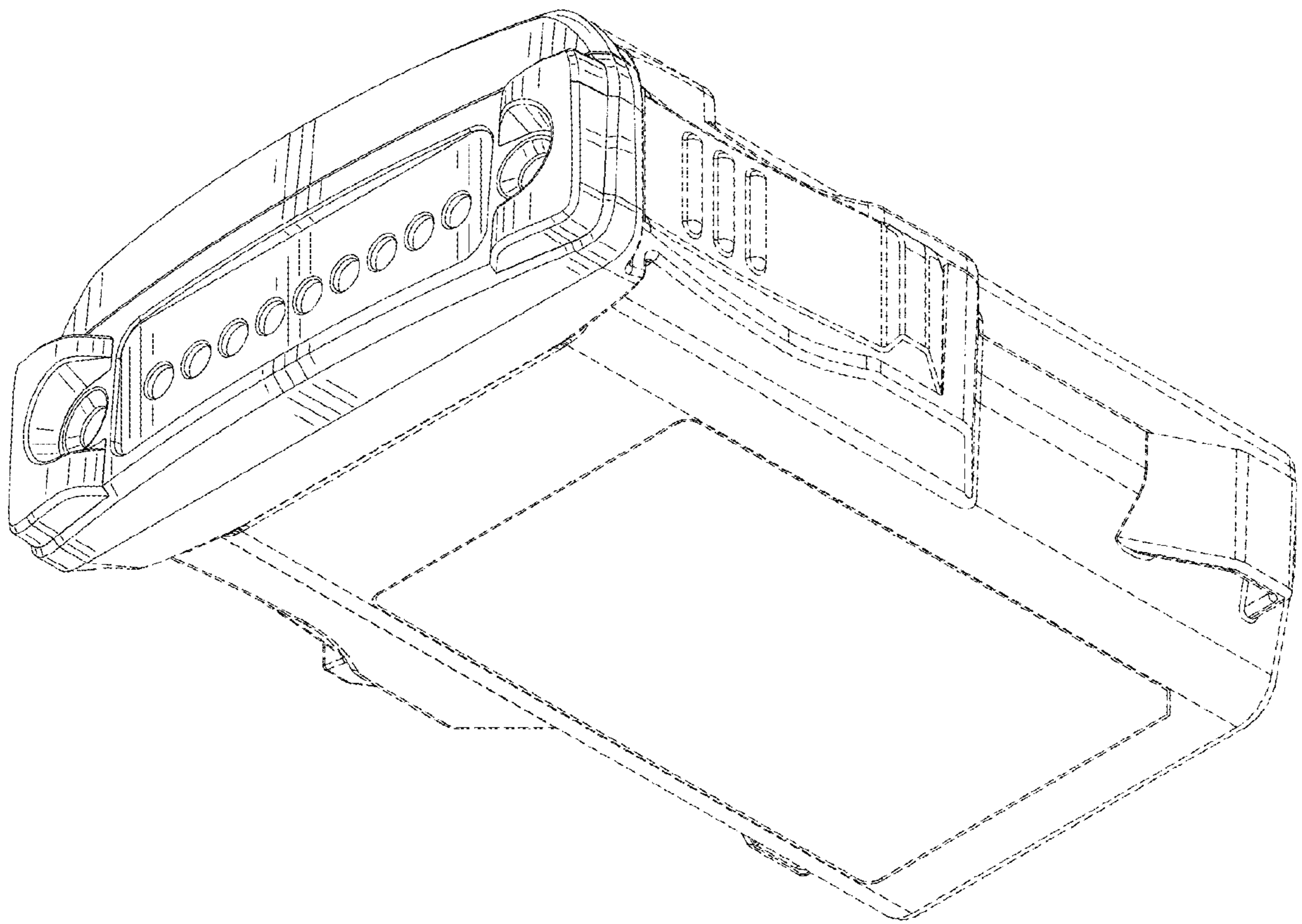


FIG. 2

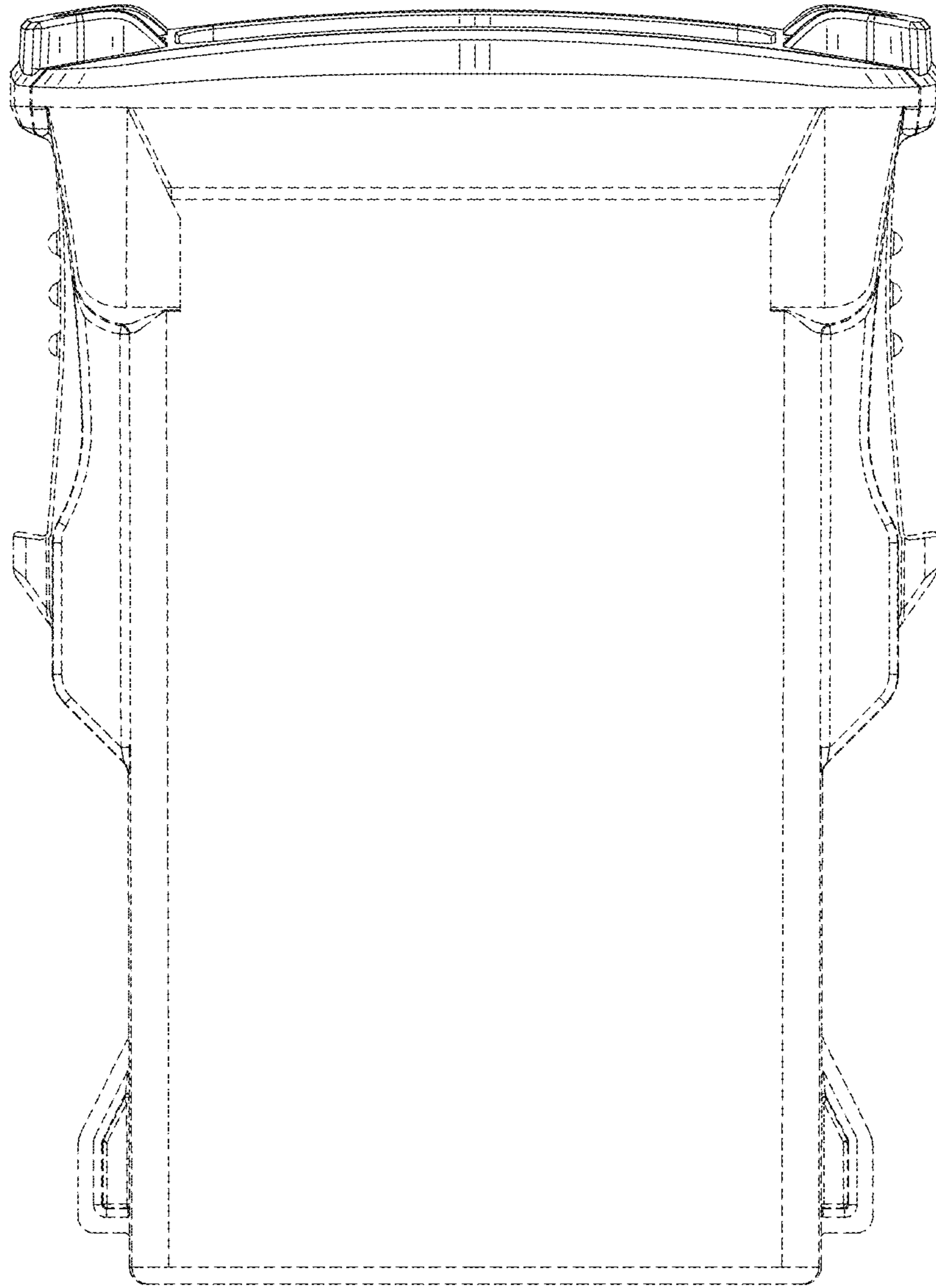


FIG. 3

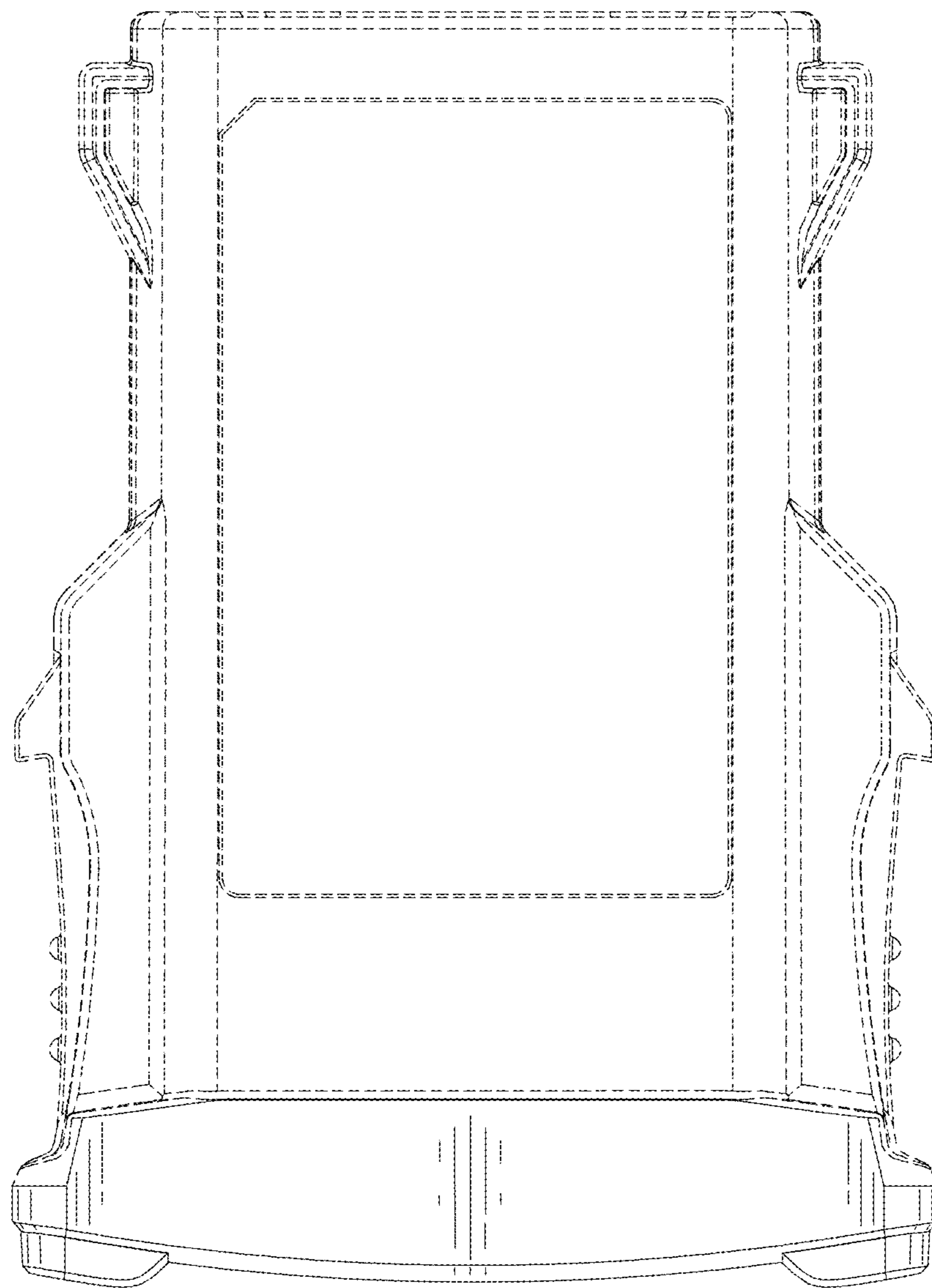


FIG. 4

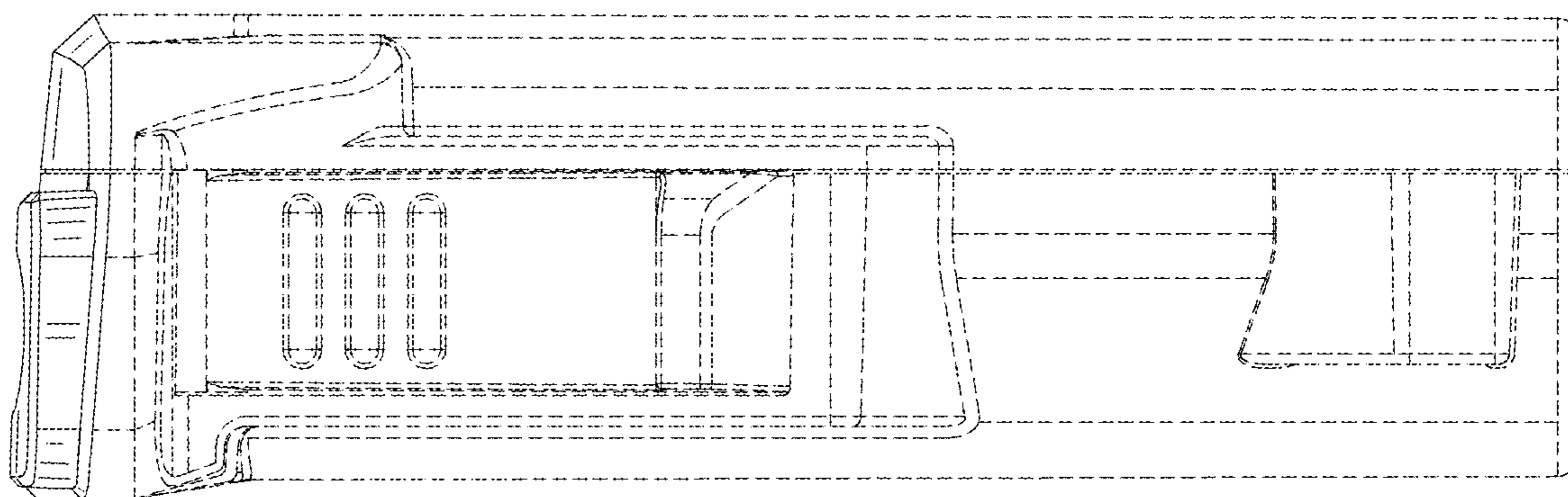


FIG. 5

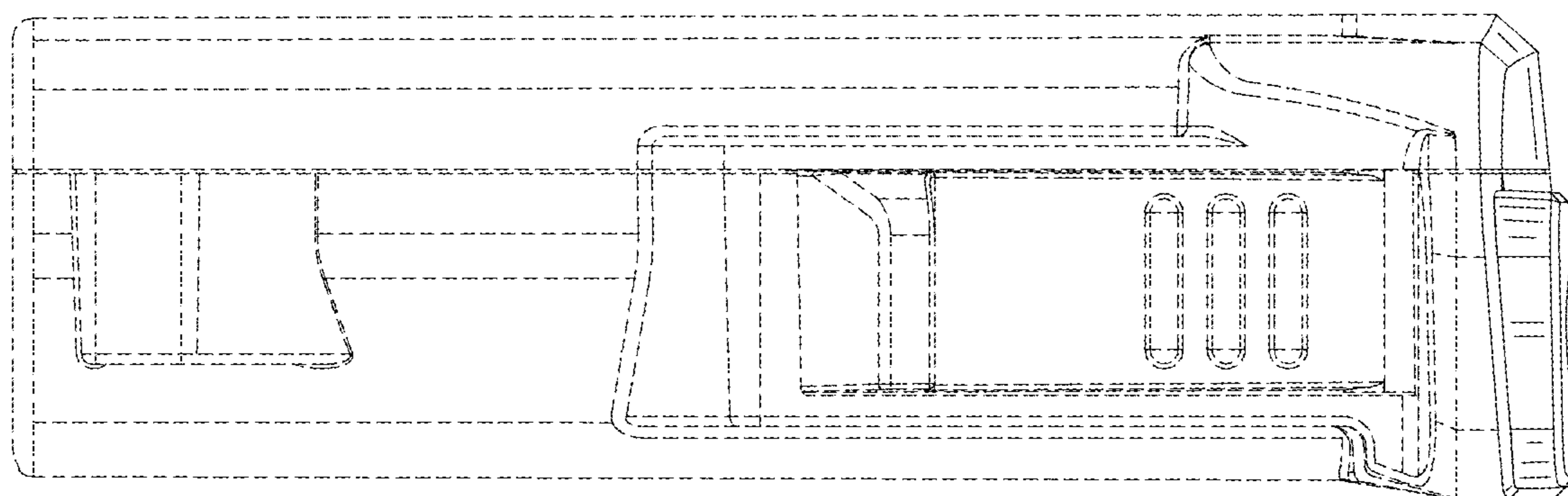


FIG. 6

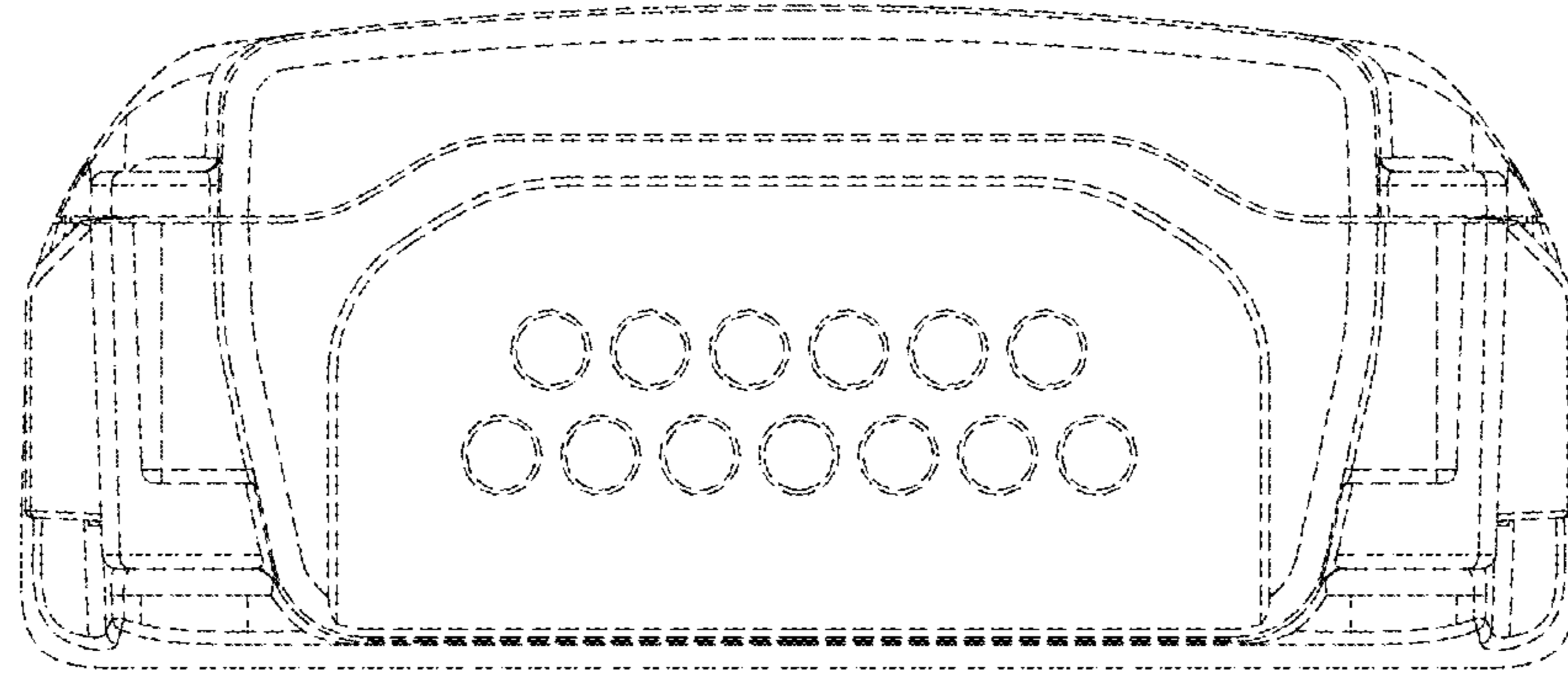


FIG. 7

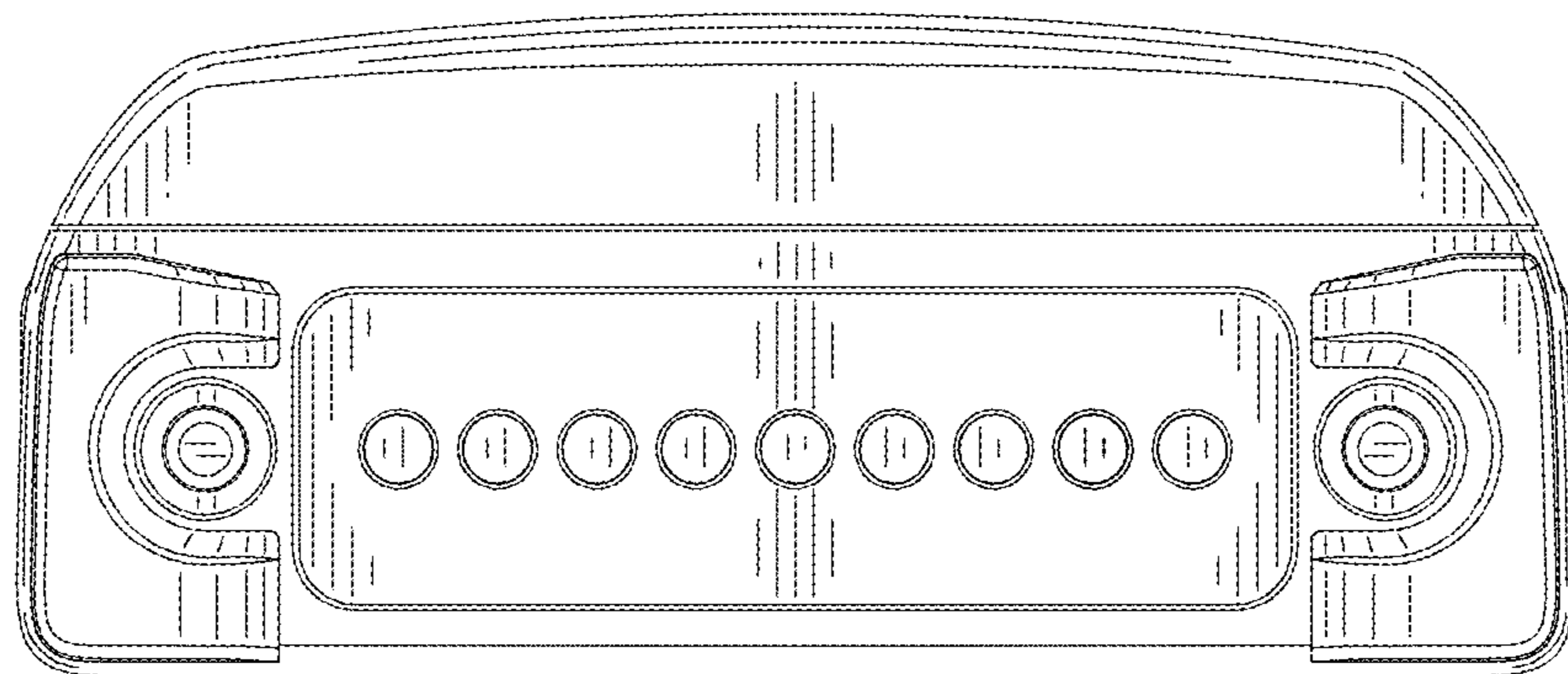


FIG. 8