



US00D934160S

(12) **United States Design Patent** (10) **Patent No.:** **US D934,160 S**
Xie (45) **Date of Patent:** **** Oct. 26, 2021**

(54) **BATTERY**

(71) Applicant: **SHENZHEN RONGSIWEI ELECTRONICS TECHNOLOGY CO., LTD**, Shenzhen (CN)

(72) Inventor: **Rongwu Xie**, Shenzhen (CN)

(73) Assignee: **SHENZHEN RONGSIWEI ELECTRONICS TECHNOLOGY CO., LTD**, Shenzhen (CN)

(**) Term: **15 Years**

(21) Appl. No.: **29/744,204**

(22) Filed: **Jul. 28, 2020**

(30) **Foreign Application Priority Data**

Jul. 17, 2020 (CN) 202030390040.8

(51) **LOC (13) Cl.** **13-02**

(52) **U.S. Cl.**
USPC **D13/103**

(58) **Field of Classification Search**
USPC D13/102-106, 118, 199, 184
CPC Y02E 60/12; Y02E 60/122; Y02E 60/124;
Y02E 60/50; H01M 2/02; H01M 2/022;
H01M 2/0207; H01M 2/0212; H01M
2/1061; H01M 2/1022; H01M 2/1055;
H01M 2/1066; H01M 2/105; H01M
2/204; H01M 10/4257; H01M 10/0436;
H01M 10/48

See application file for complete search history.

(56) **References Cited**

U.S. PATENT DOCUMENTS

D304,927 S *	12/1989	Ching, Jr.	D13/103
D609,178 S *	2/2010	Mack	D13/104
D609,179 S *	2/2010	Mack	D13/104
D609,631 S *	2/2010	Mack	D13/104
D625,686 S *	10/2010	Dickson	D13/107
D632,651 S *	2/2011	Foreman	D13/119
D875,668 S *	2/2020	Jiao	D13/103
D908,626 S *	1/2021	Baker	D13/119
D911,926 S *	3/2021	Li	D13/103
D922,675 S *	6/2021	Michaud	D27/162
D926,120 S *	7/2021	Richard	D13/103

* cited by examiner

Primary Examiner — Christy Nemeth

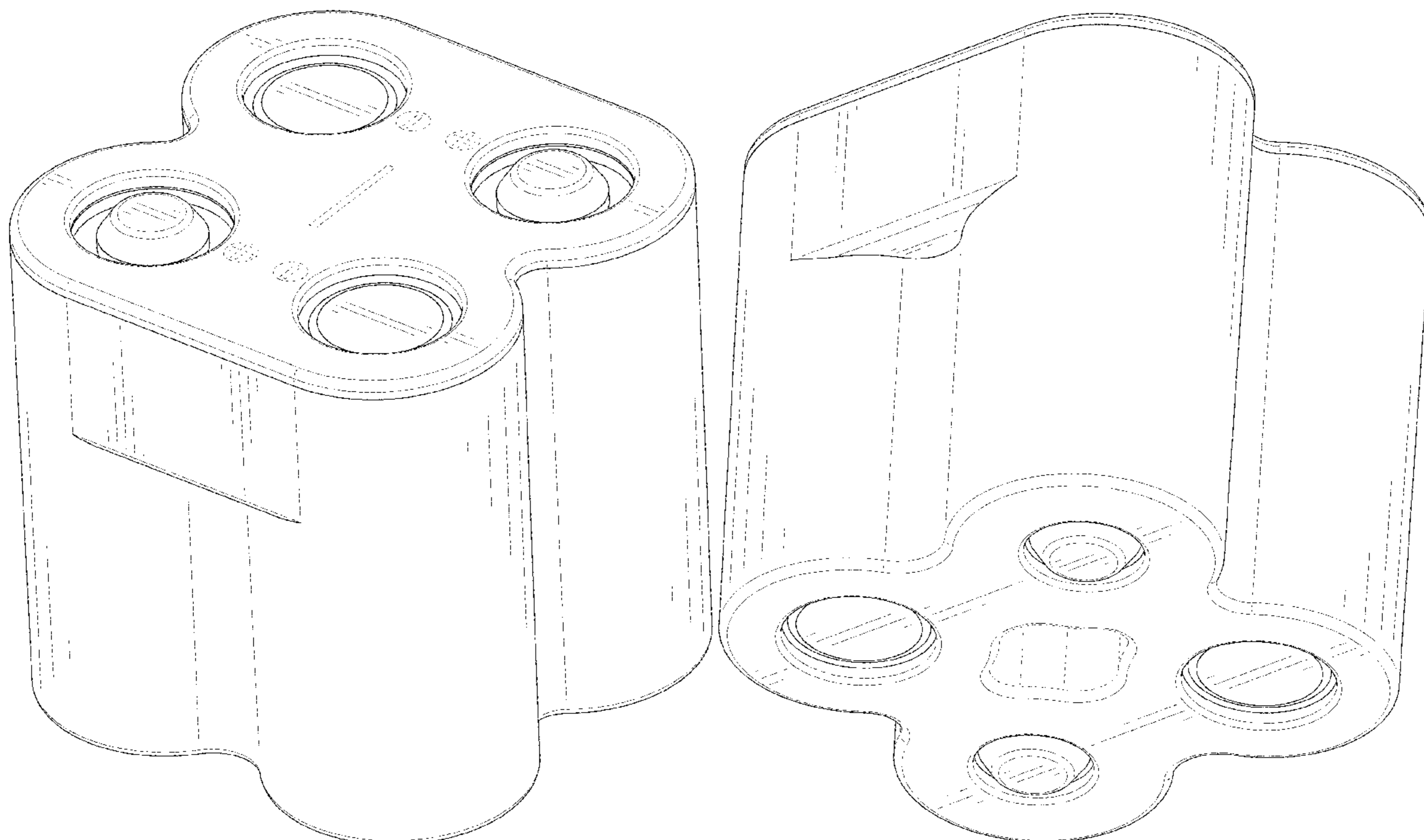
(57) **CLAIM**

The ornamental design for a battery, as shown and described.

DESCRIPTION

FIG. 1 is a perspective view of a battery showing my new design;
FIG. 2 is another perspective view thereof;
FIG. 3 is a front elevational view thereof;
FIG. 4 is a rear elevational view thereof;
FIG. 5 is a left side elevational view thereof;
FIG. 6 is a right side elevational view thereof;
FIG. 7 is a top plan view thereof; and,
FIG. 8 is a bottom plan view thereof.
The broken lines in the drawings depict portions of the battery that form no part of the claimed design.

1 Claim, 8 Drawing Sheets



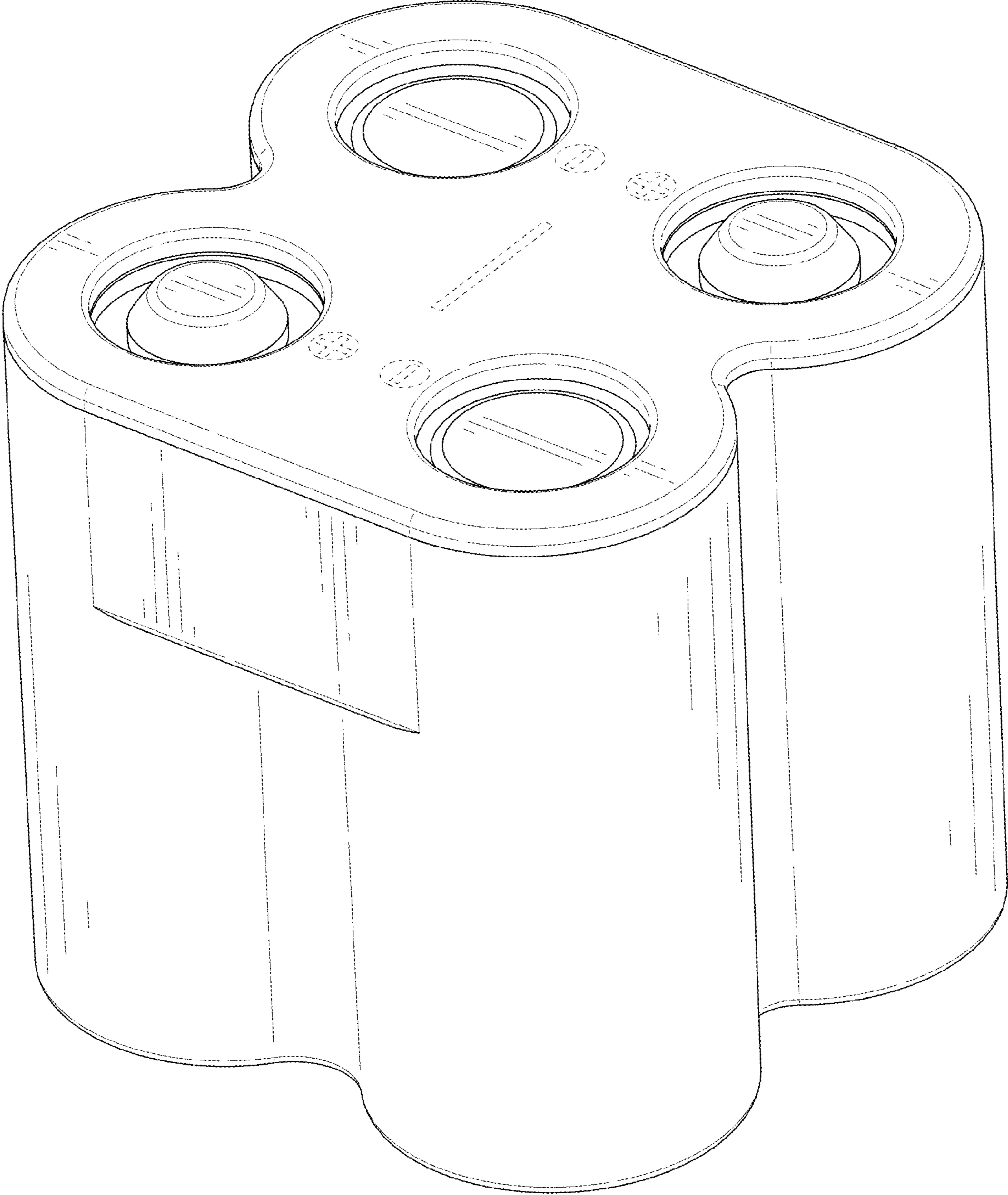


FIG. 1

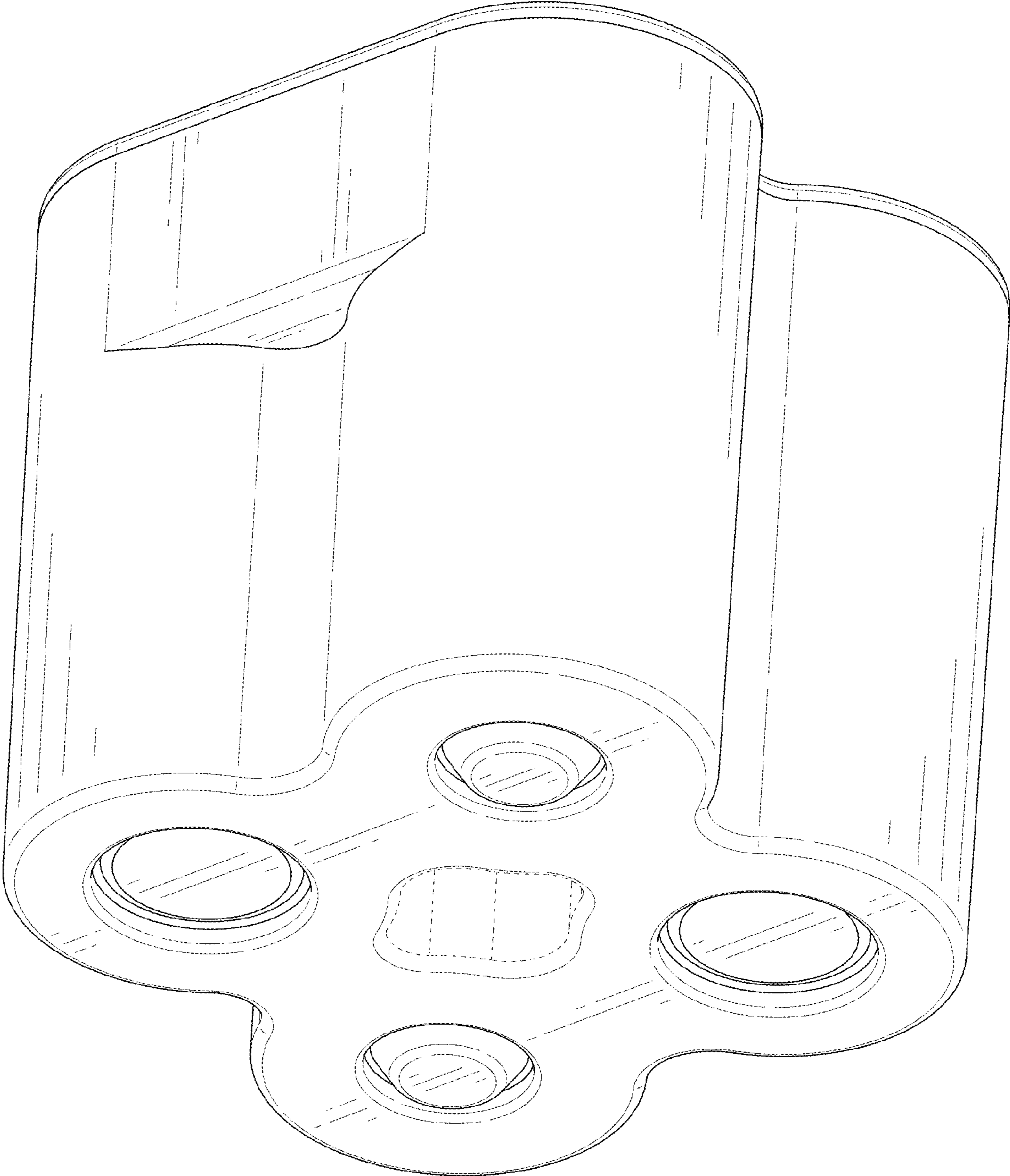


FIG. 2

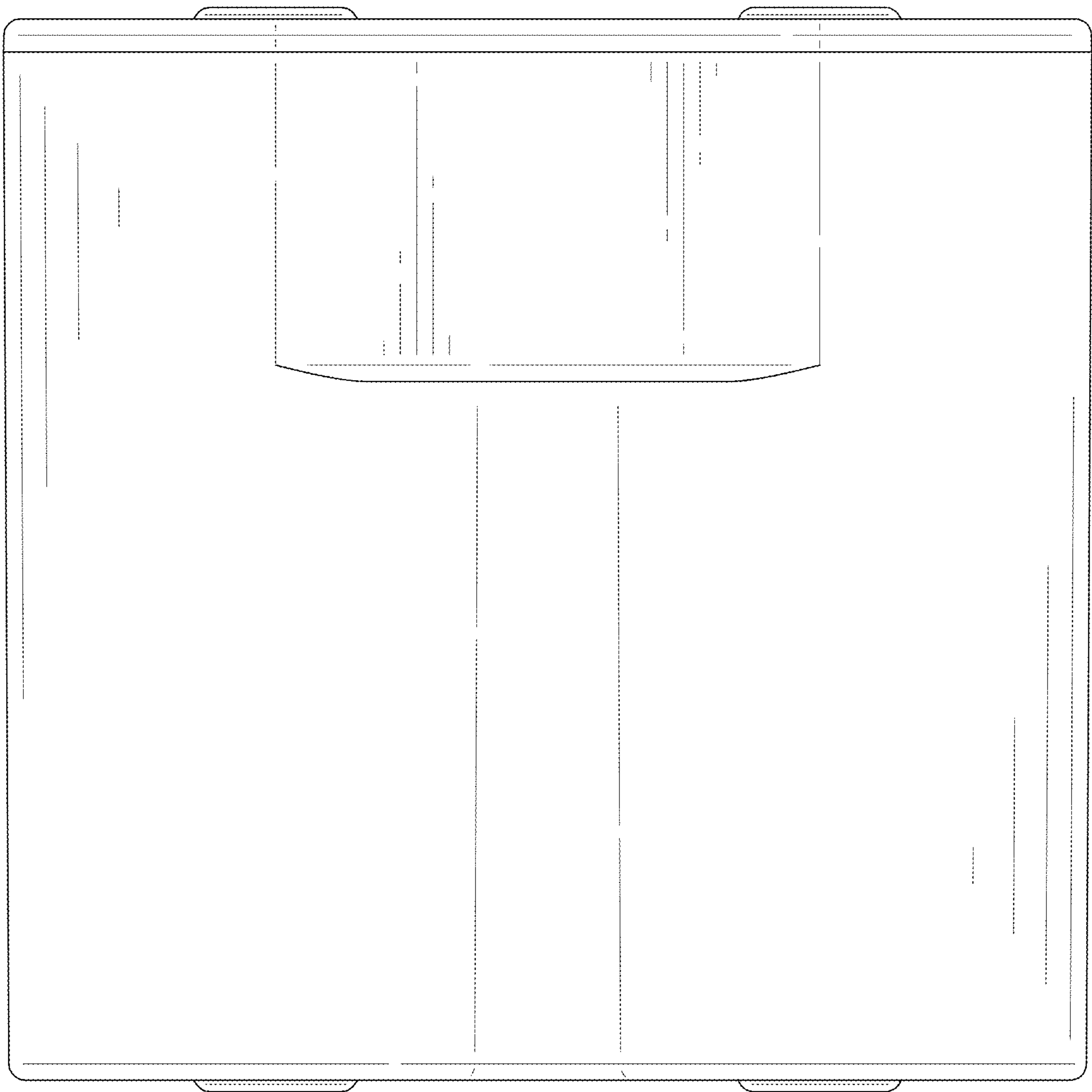


FIG. 3

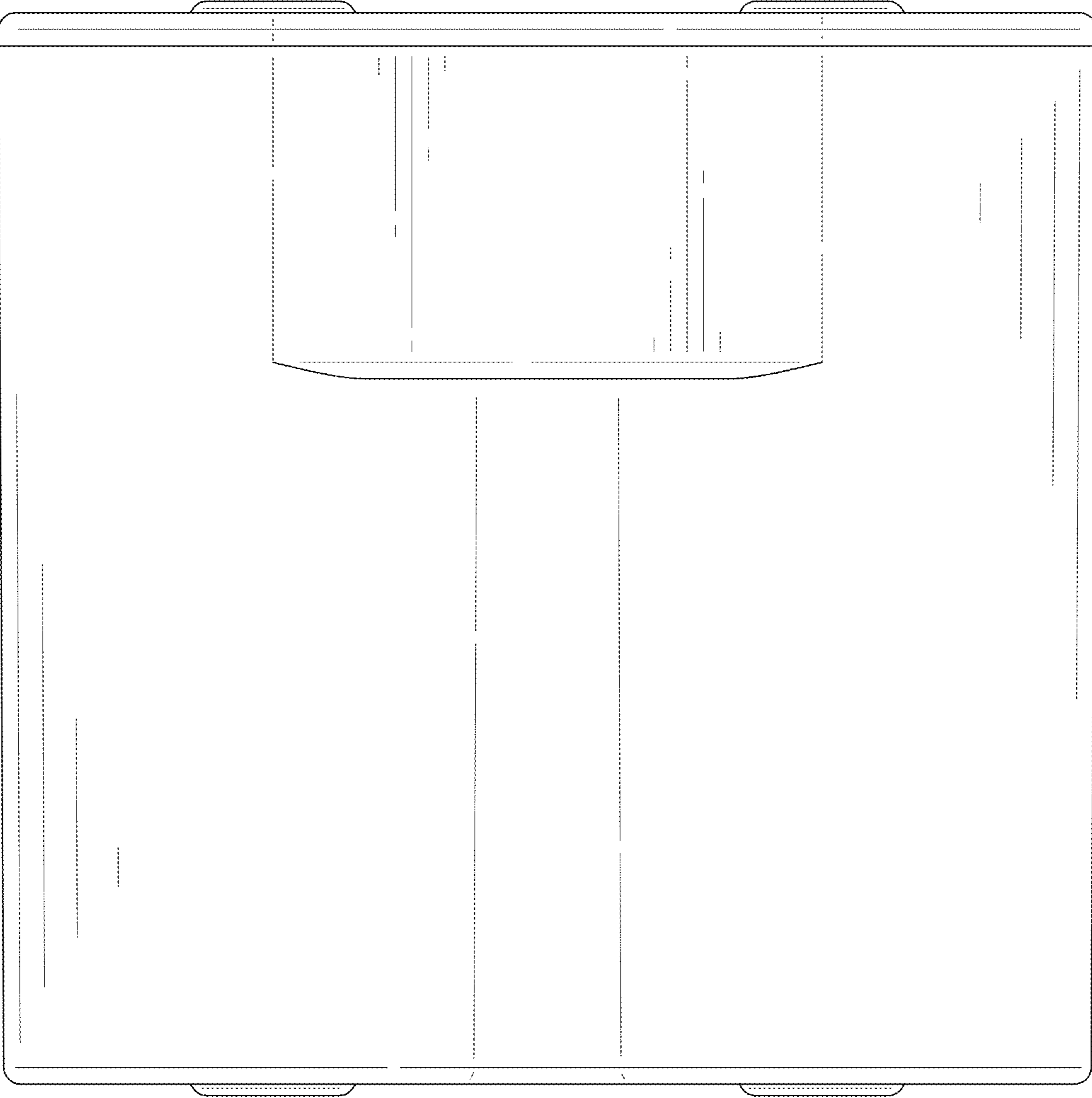


FIG. 4

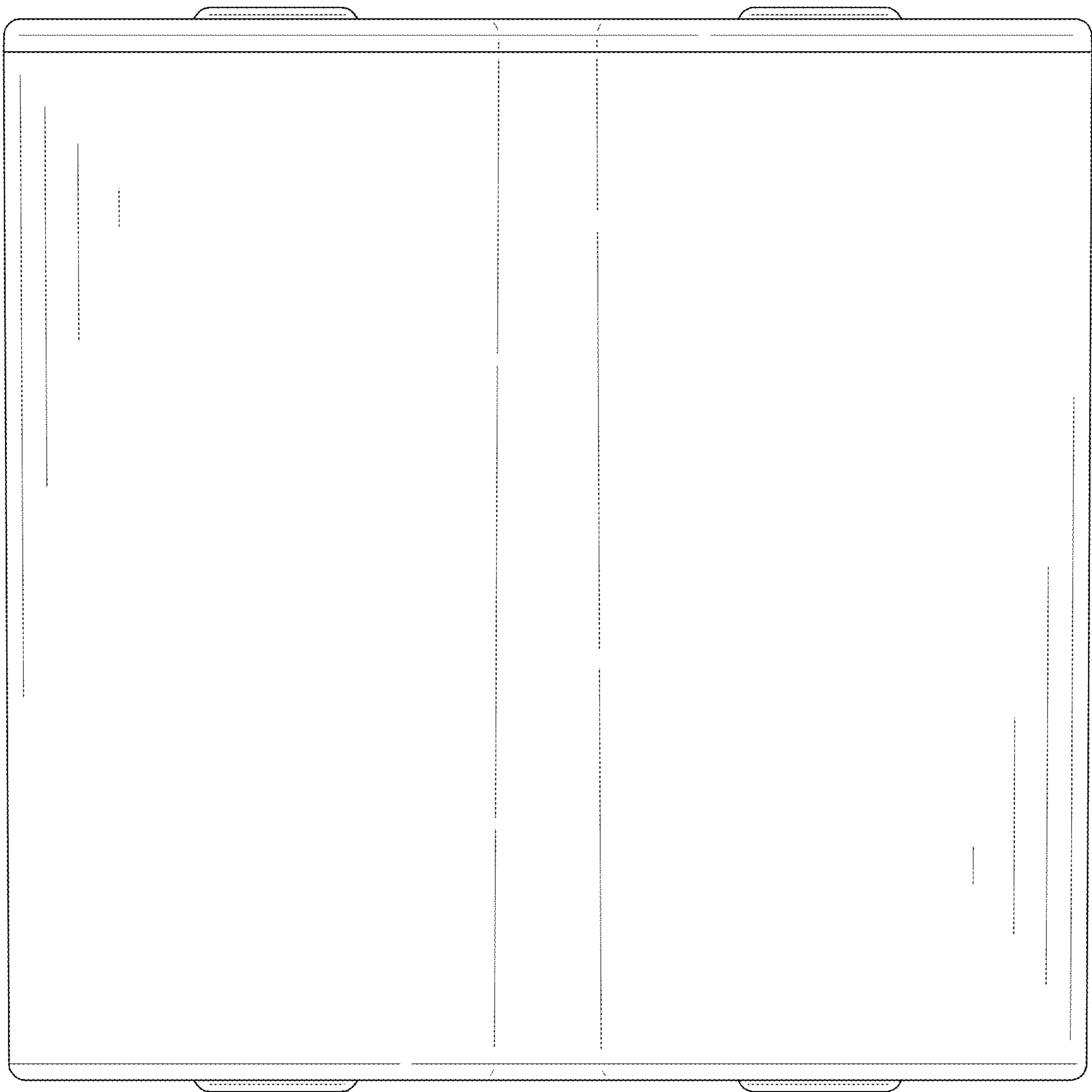


FIG. 5

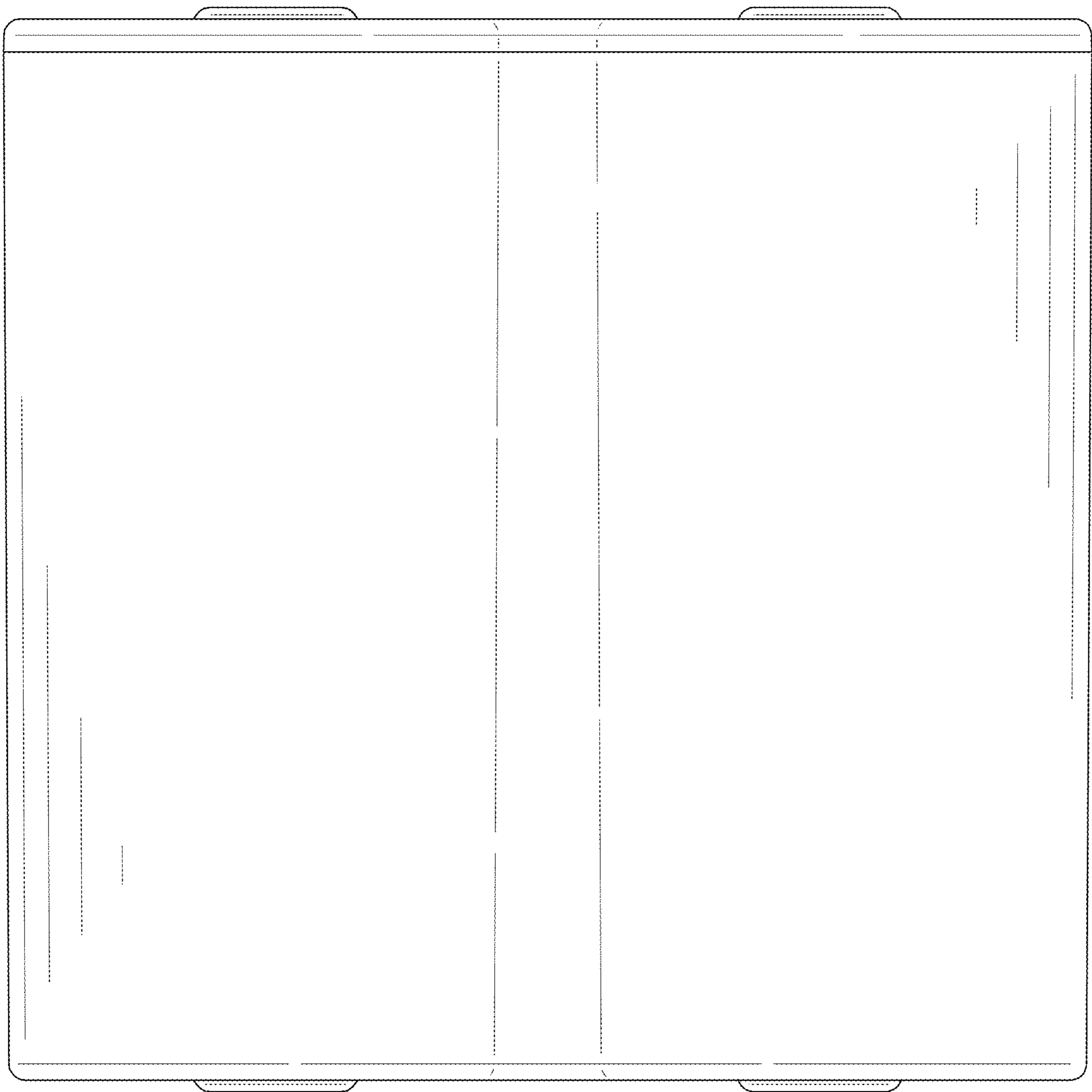


FIG. 6

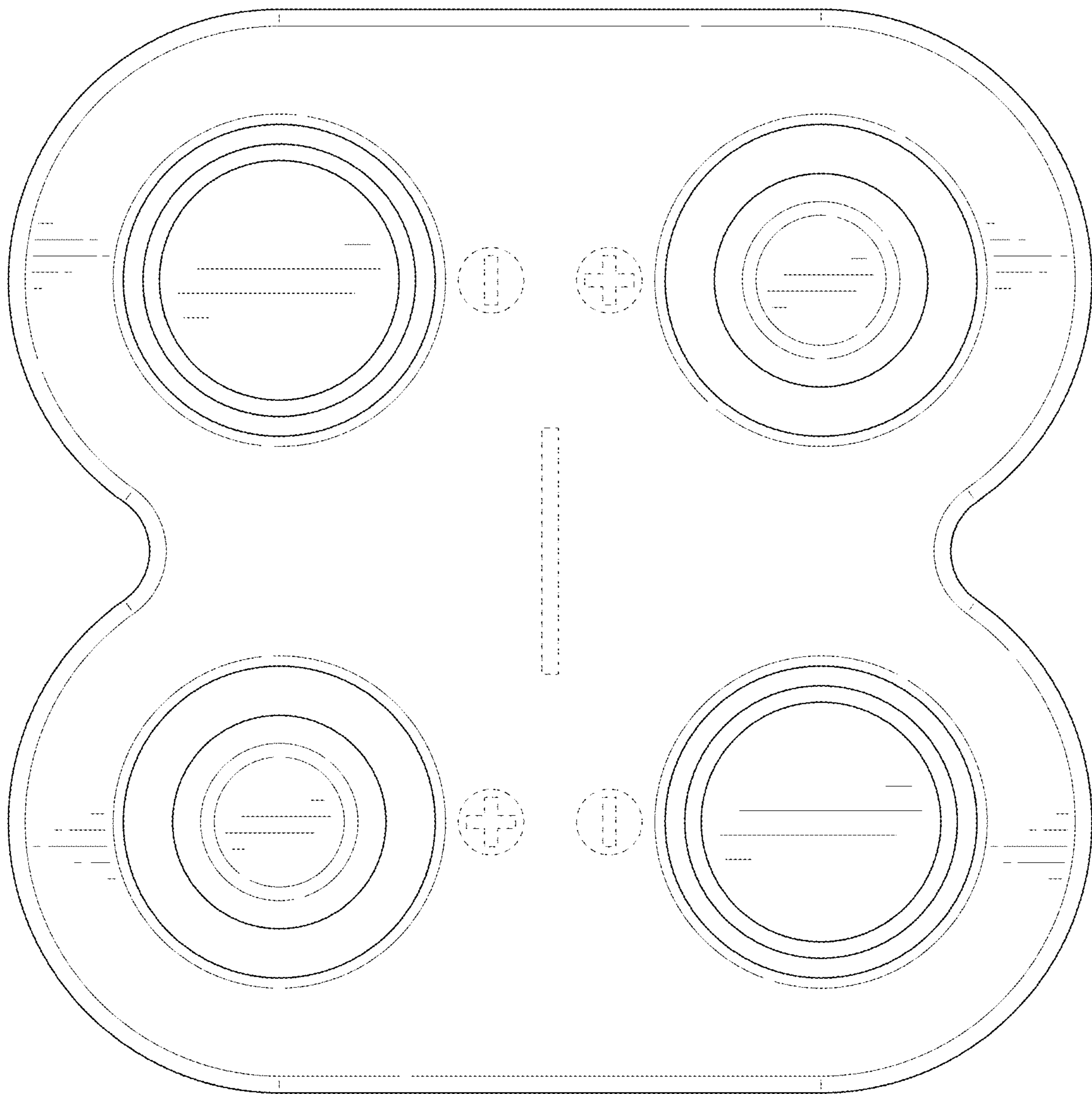


FIG. 7

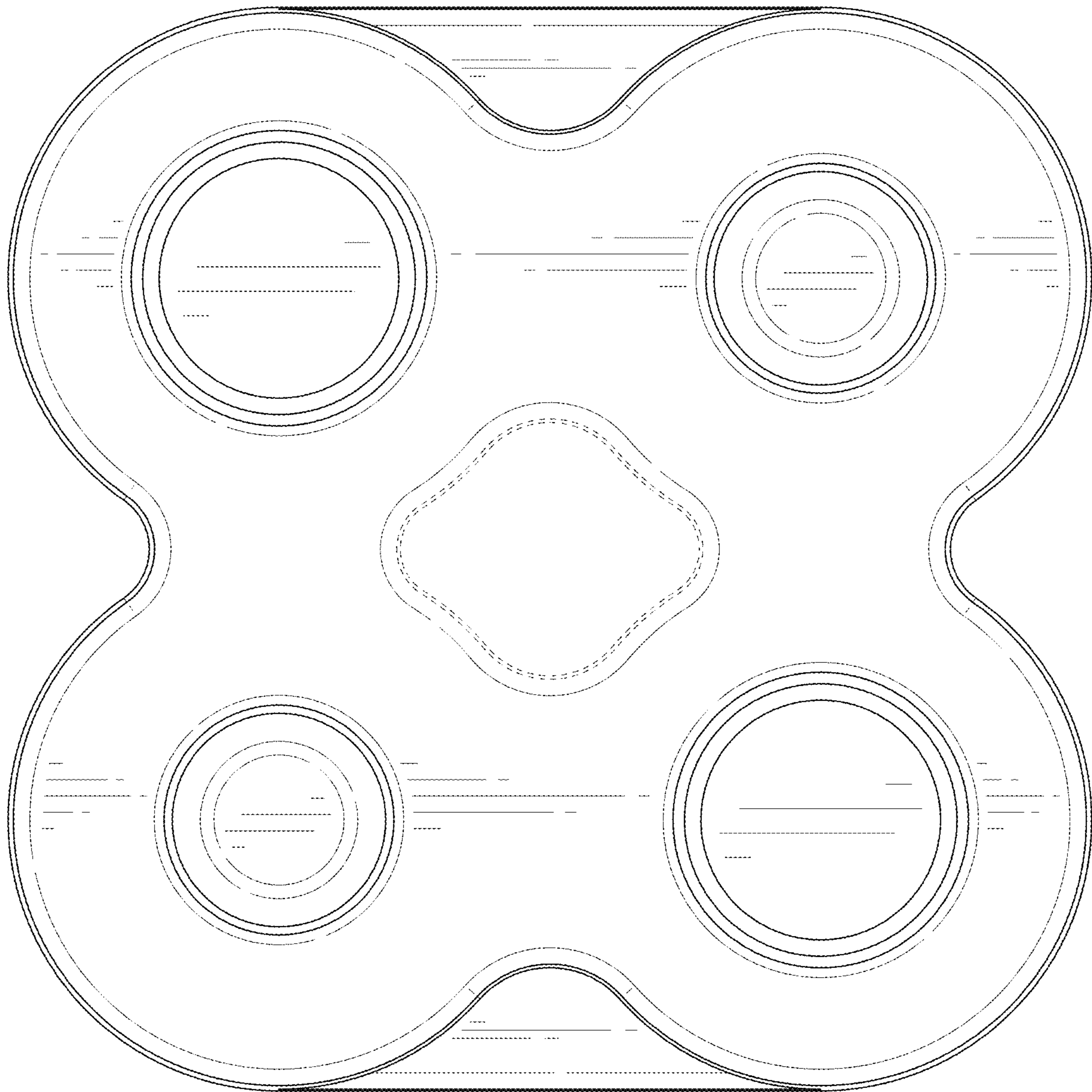


FIG. 8