



US00D934156S

(12) **United States Design Patent**
Wang et al.

(10) **Patent No.:** **US D934,156 S**

(45) **Date of Patent:** **** Oct. 26, 2021**

(54) **VEHICLE TIRE**

(71) Applicant: **PRINX CHENGSHAN (QINGDAO) INDUSTRIAL RESEARCH AND DESIGN CO., LTD.**, Qingdao (CN)

(72) Inventors: **Dezhi Wang**, Qingdao (CN); **Ping Jiang**, Qingdao (CN); **Wei Lv**, Qingdao (CN)

(73) Assignee: **PRINX CHENGSHAN (QINGDAO) INDUSTRIAL RESEARCH AND DESIGN CO., LTD.**, Qingdao (CN)

(**) Term: **15 Years**

(21) Appl. No.: **29/727,256**

(22) Filed: **Mar. 10, 2020**

(51) **LOC (13) Cl.** **12-15**

(52) **U.S. Cl.**
USPC **D12/602**

(58) **Field of Classification Search**
USPC D12/568–605, 900
CPC Y10T 152/10027; B60C 1/0016; B60C 11/0306; B60C 11/0302; B60C 3/06; B60C 9/17

See application file for complete search history.

(56) **References Cited**

U.S. PATENT DOCUMENTS

D402,239 S * 12/1998 Le D12/596
D420,956 S * 2/2000 Rodicq D12/602
D457,128 S * 5/2002 Robert D12/579

D593,485 S * 6/2009 Davidson, Jr. D12/579
D609,630 S * 2/2010 Buchinger-Barnstorf ... D12/580
D850,359 S * 6/2019 Hibino D12/596
D860,928 S * 9/2019 Dixon D12/602
D867,277 S * 11/2019 Dixon D12/602
D870,031 S * 12/2019 Wang D12/602
D879,024 S * 3/2020 Thieman D12/596
D886,037 S * 6/2020 Dixon D12/596
D901,375 S * 11/2020 Lv D12/596
D902,839 S * 11/2020 Zhang D12/596

OTHER PUBLICATIONS

Prinx DM212 Tire [Sep. 1, 2021] found online [Sep. 1, 2021]—
<http://www.prinxtire.com/product/bus/2020/1111/13.html>.*

* cited by examiner

Primary Examiner — John A Voytek

(57) **CLAIM**

The ornamental design for a vehicle tire, as shown and described.

DESCRIPTION

FIG. 1 is a perspective view of a vehicle tire showing my new design;
FIG. 2 is another perspective view thereof;
FIG. 3 is a front elevational view thereof;
FIG. 4 is a rear elevational view thereof;
FIG. 5 is a left side elevational view thereof;
FIG. 6 is a right side elevational view thereof;
FIG. 7 is a top plan view thereof;
FIG. 8 is a bottom plan view thereof;
FIG. 9 is an enlarged view of portion 9 shown in FIG. 2; and,
FIG. 10 is an enlarged view of portion 10 shown in FIG. 3.

1 Claim, 10 Drawing Sheets

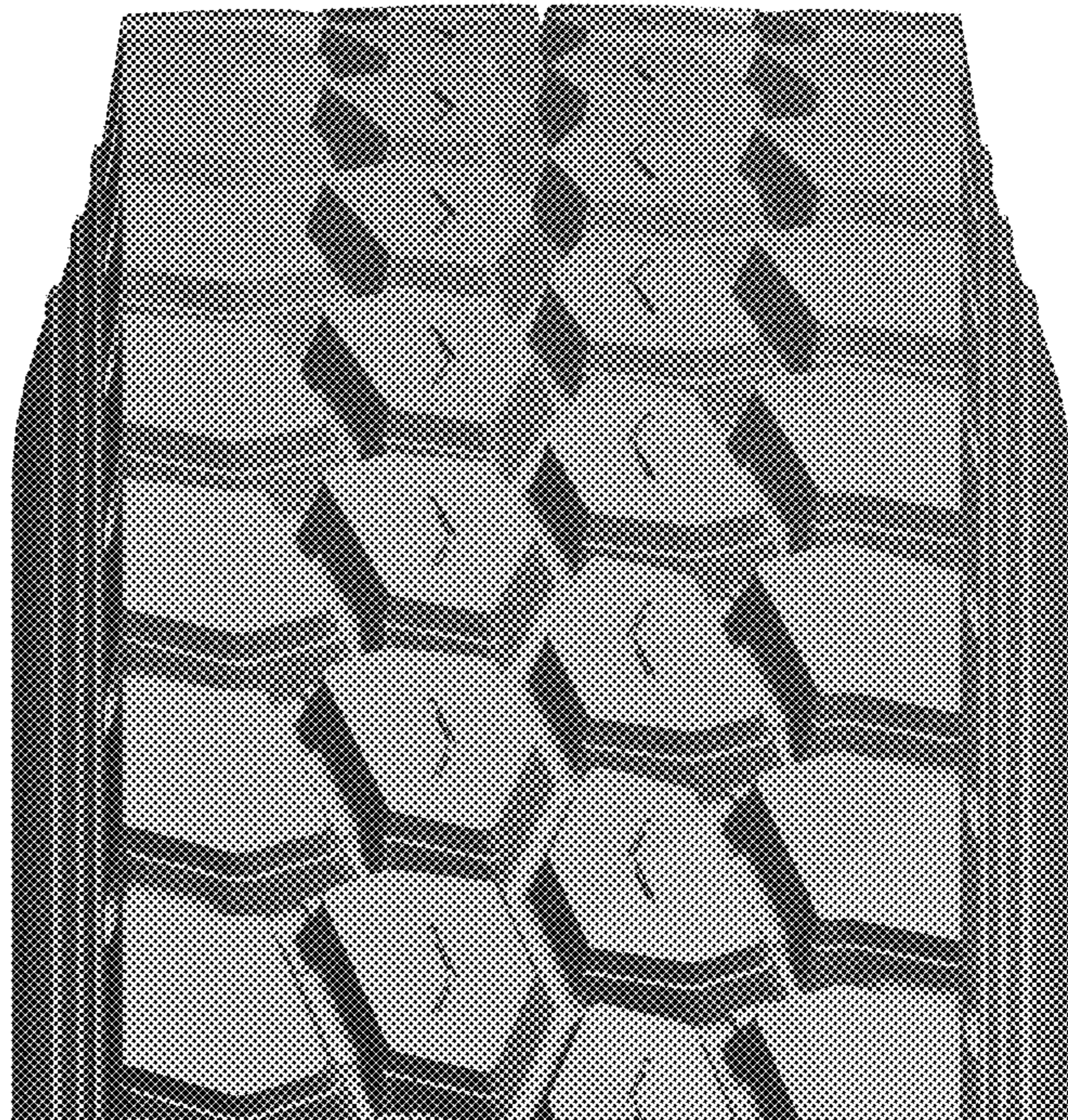




FIG. 1

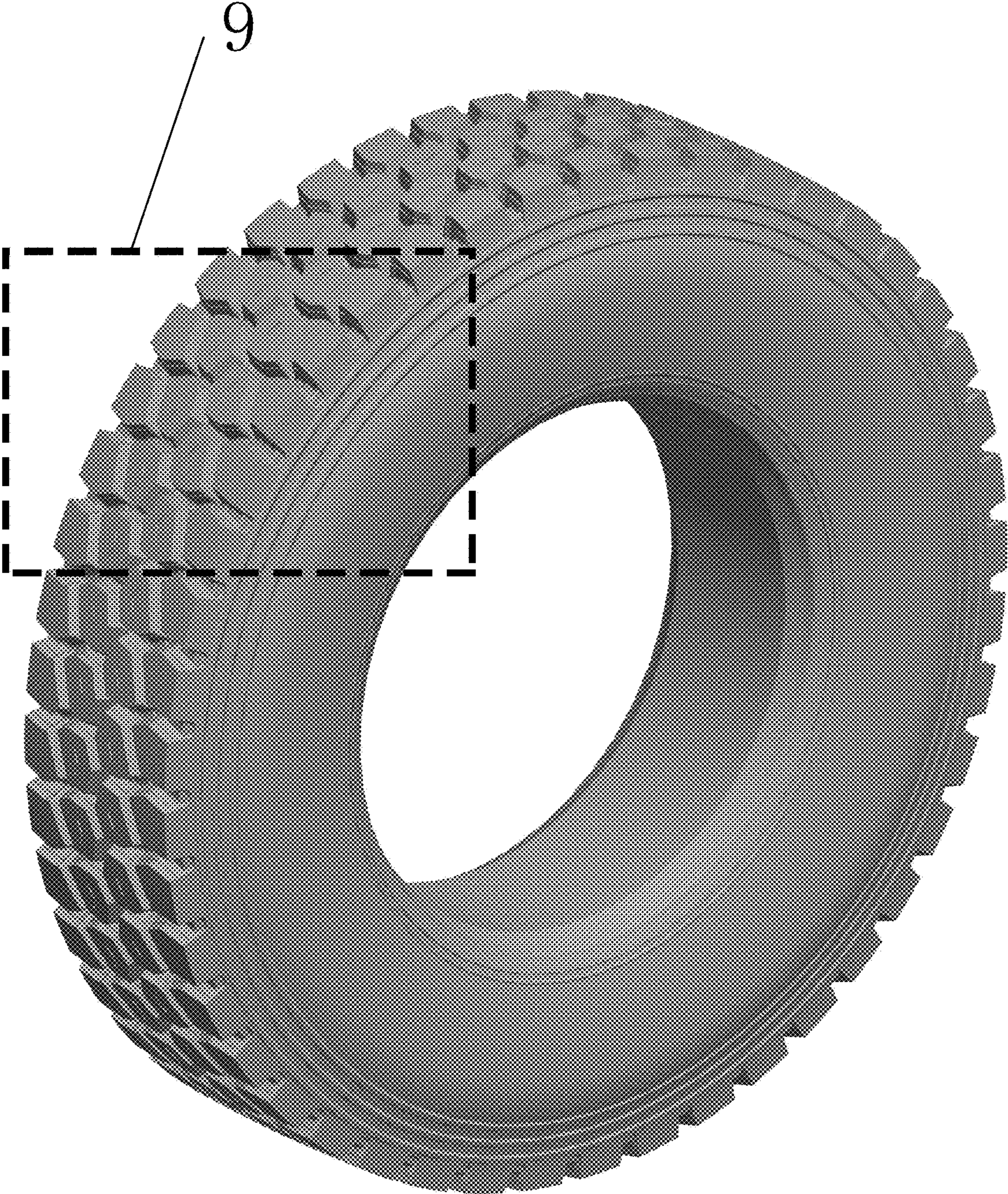


FIG. 2

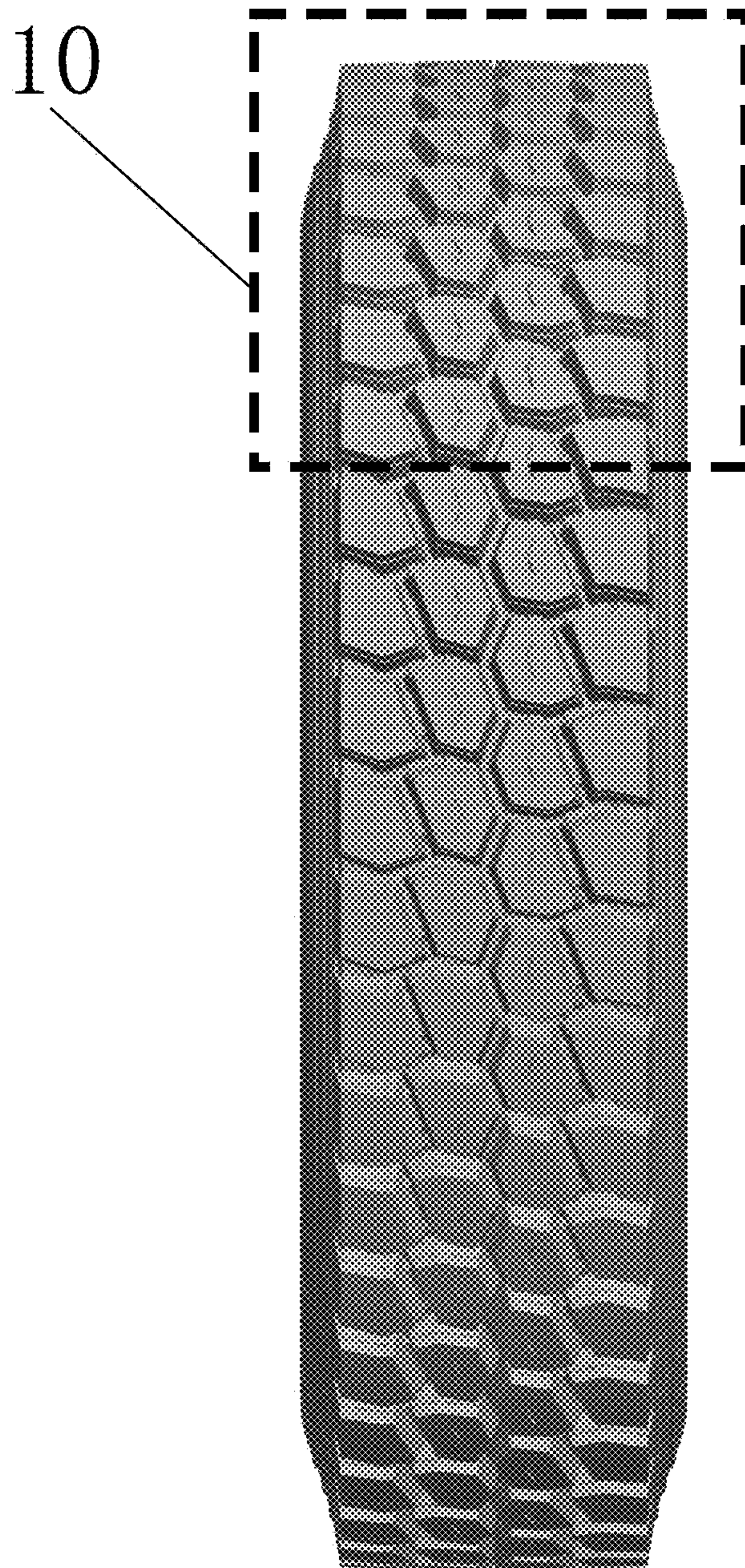


FIG. 3

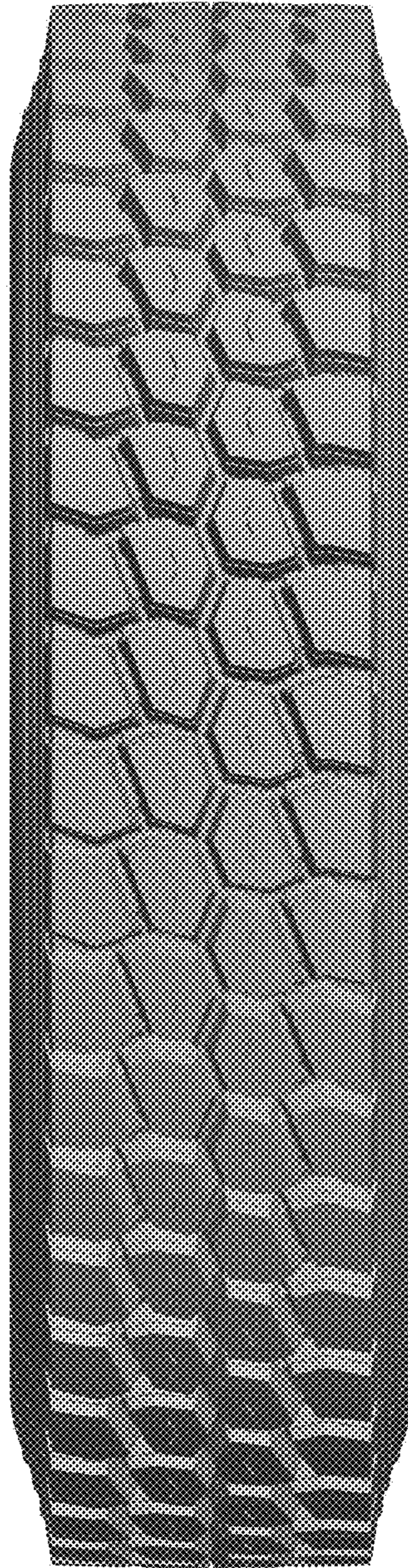


FIG. 4

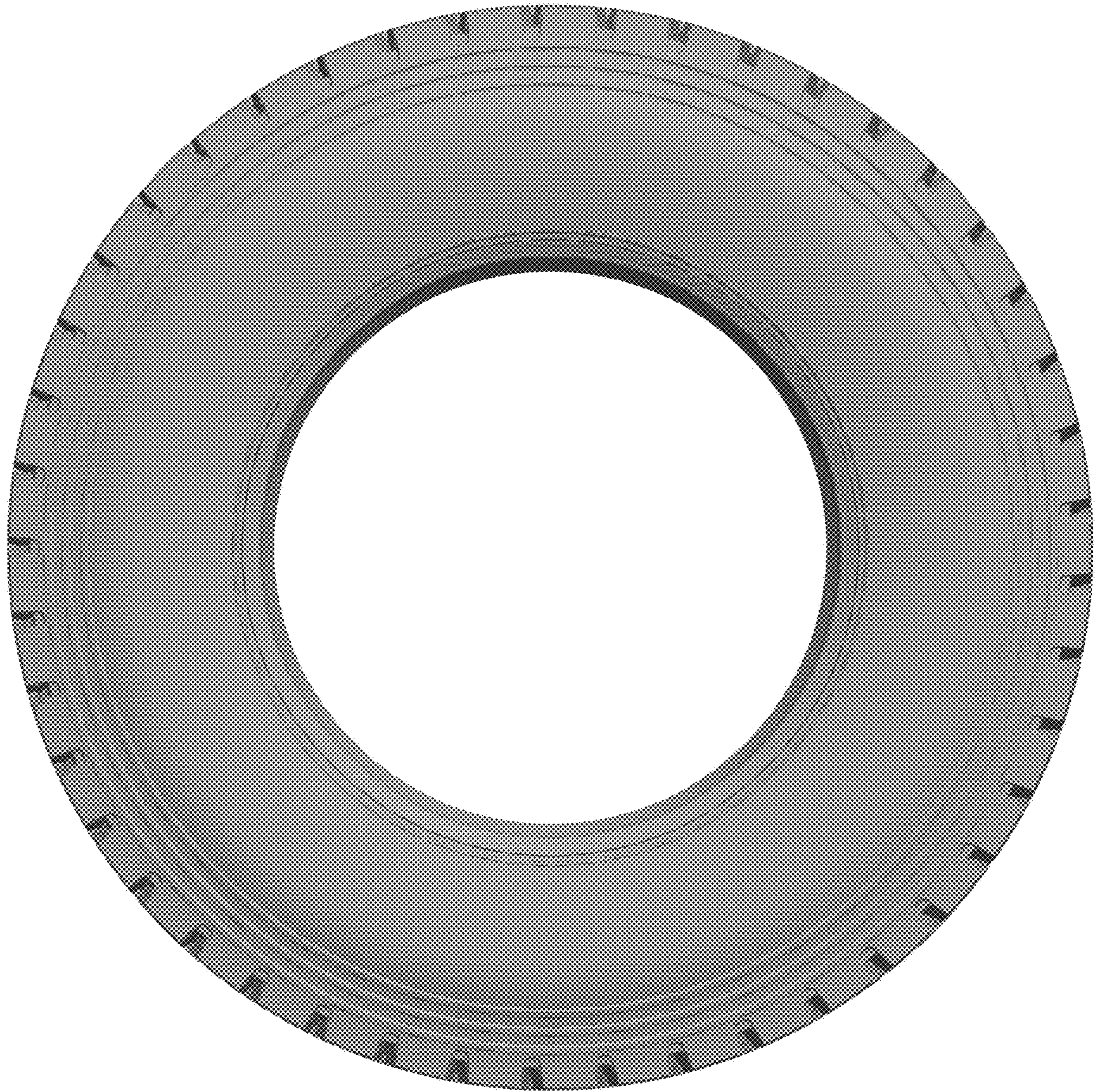


FIG. 5

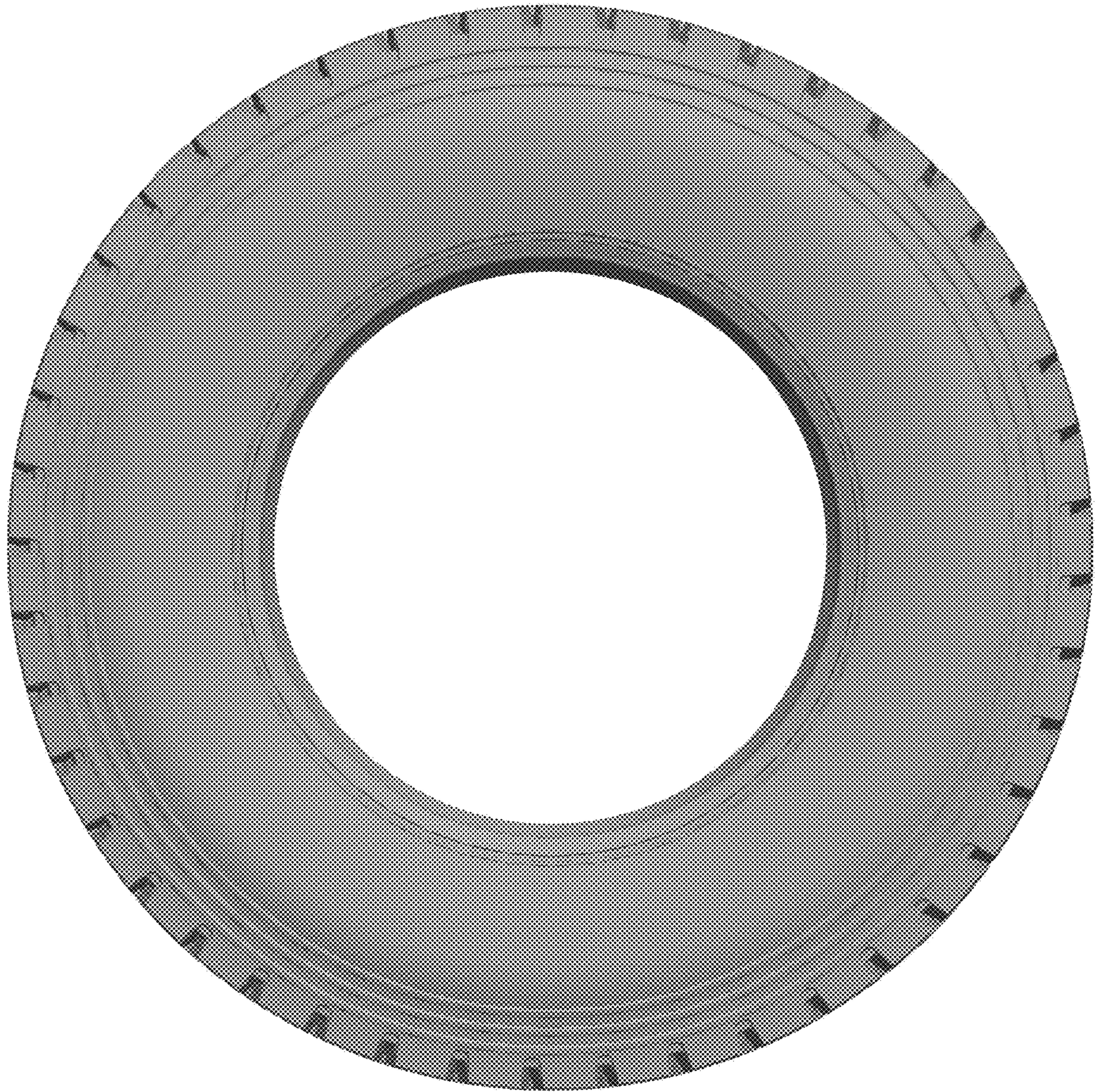


FIG. 6

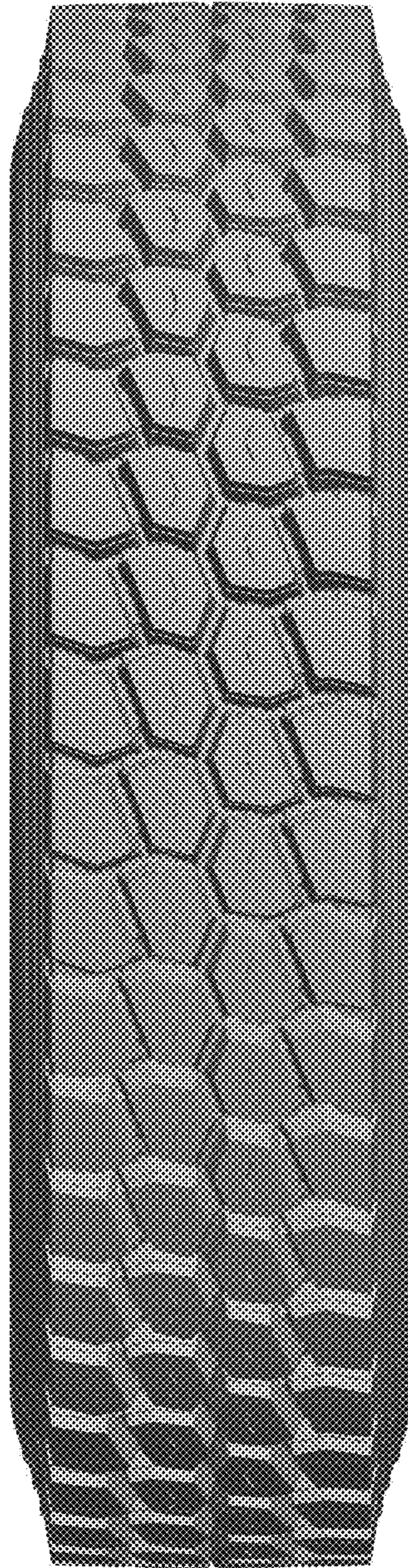


FIG. 7

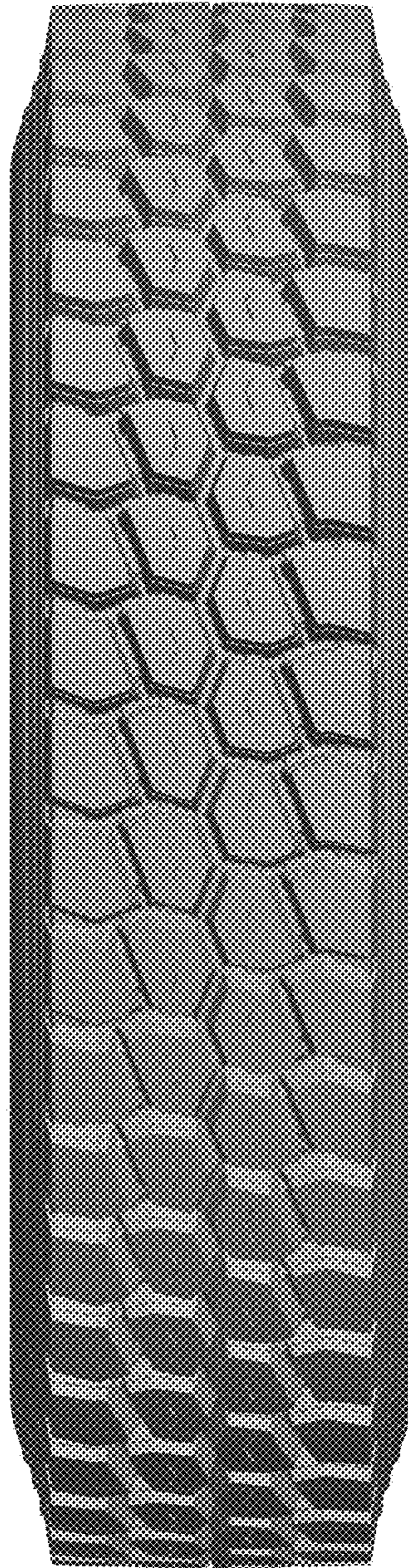


FIG. 8



FIG. 9

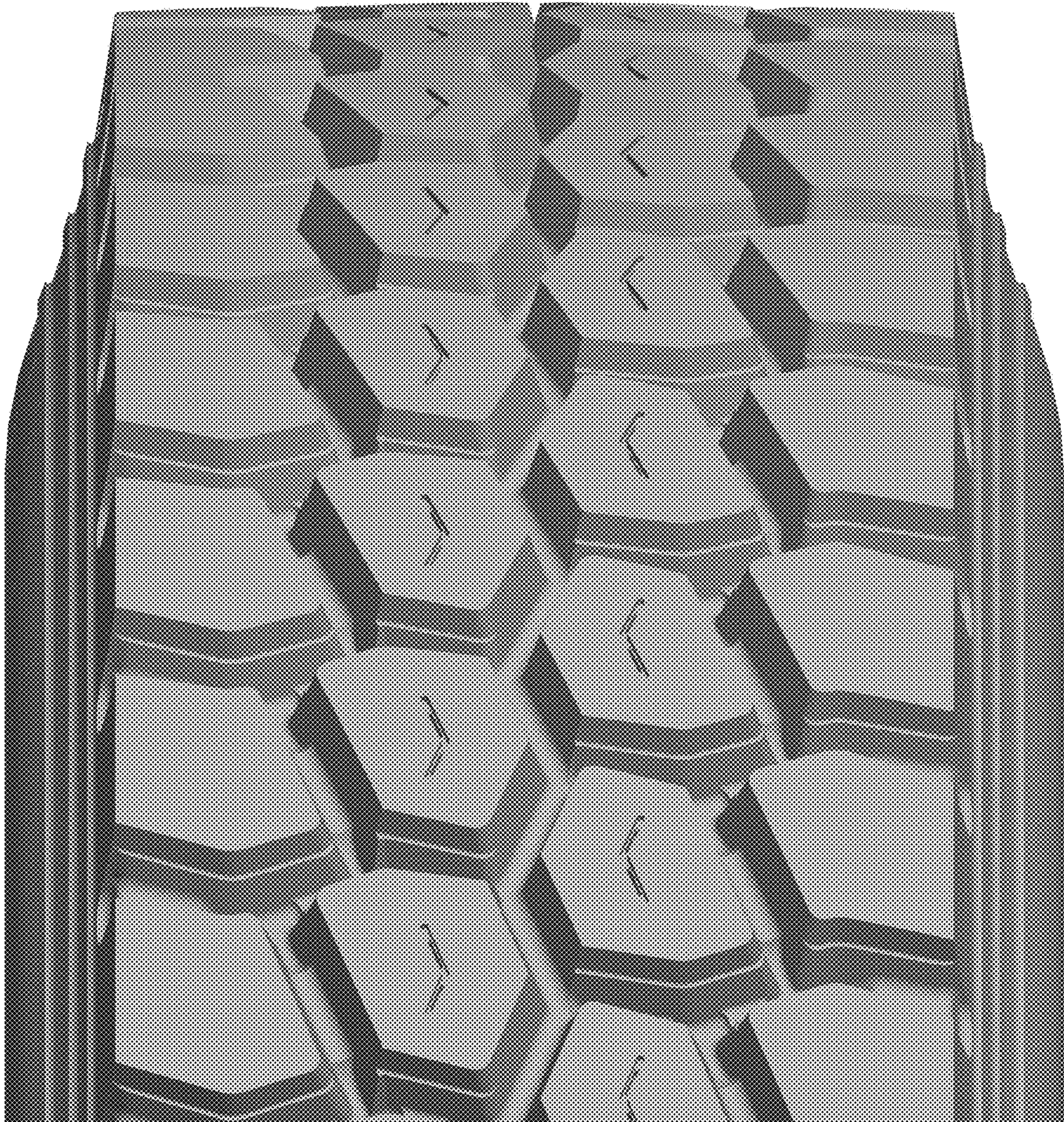


FIG. 10