



US00D934151S

(12) **United States Design Patent** (10) **Patent No.:** **US D934,151 S**  
**Liang et al.** (45) **Date of Patent:** **\*\* Oct. 26, 2021**

(54) **AERIAL VEHICLE**  
(71) Applicant: **SZ DJI Technology Co., Ltd.**,  
Shenzhen (CN)  
(72) Inventors: **Bo Liang**, Shenzhen (CN); **Li Qiu**,  
Shenzhen (CN)

D741,779 S 10/2015 Hsiao et al.  
D751,490 S 3/2016 Chen  
D751,491 S 3/2016 Chen  
D759,764 S 6/2016 Lai  
D760,848 S 7/2016 McKenna et al.  
(Continued)

(73) Assignee: **SZ DJI Technology Co., Ltd.**,  
Shenzhen (CN)

FOREIGN PATENT DOCUMENTS  
CN 302901394 S 8/2014  
CN 302959820 S 10/2014  
(Continued)

(\*\*) Term: **15 Years**

(21) Appl. No.: **29/745,842**

OTHER PUBLICATIONS

(22) Filed: **Aug. 10, 2020**

Buy DJI Matrice 210 Quadcopter by Drone Nerds. dated 2018.  
<https://www.dronenerds.com/products/drones/enterprise-drones/matrice-200/matrice-210/dji-matrice-210-quadcopter-cp-hy-000049-dji.html>.

**Related U.S. Application Data**

(63) Continuation of application No. 29/701,938, filed on  
Aug. 15, 2019, now Pat. No. Des. 896,731, which is  
a continuation of application No. 29/642,455, filed on  
Mar. 29, 2018, now Pat. No. Des. 862,360, which is  
a continuation of application No. 29/595,105, filed on  
Feb. 24, 2017, now Pat. No. Des. 816,582.

(Continued)

*Primary Examiner* — Marissa J Cash  
(74) *Attorney, Agent, or Firm* — Sterne, Kessler,  
Goldstein & Fox P.L.L.C.

(51) **LOC (13) Cl.** ..... **12-02**

(57) **CLAIM**

(52) **U.S. Cl.**  
USPC ..... **D12/328**

The ornamental design for an aerial vehicle, as shown and  
described.

(58) **Field of Classification Search**  
USPC ..... D12/1-4, 16.1, 319-345; D21/436-455;  
D25/13, 199  
CPC ..... B64C 29/0033; B64C 29/02; B64C  
2201/021; B64C 2201/088; B64C  
2201/104; B64C 2201/141; B64G  
2001/1064; B64G 2001/1071; B64G 5/00;  
B64G 1/46

**DESCRIPTION**

See application file for complete search history.

FIG. 1 is a top front perspective view of an aerial vehicle  
showing the claimed design;  
FIG. 2 is a bottom rear perspective view thereof;  
FIG. 3 is a front view thereof;  
FIG. 4 is a rear view thereof;  
FIG. 5 is a left side view thereof;  
FIG. 6 is a right side view thereof;  
FIG. 7 is a top view thereof; and,  
FIG. 8 is a bottom view thereof.

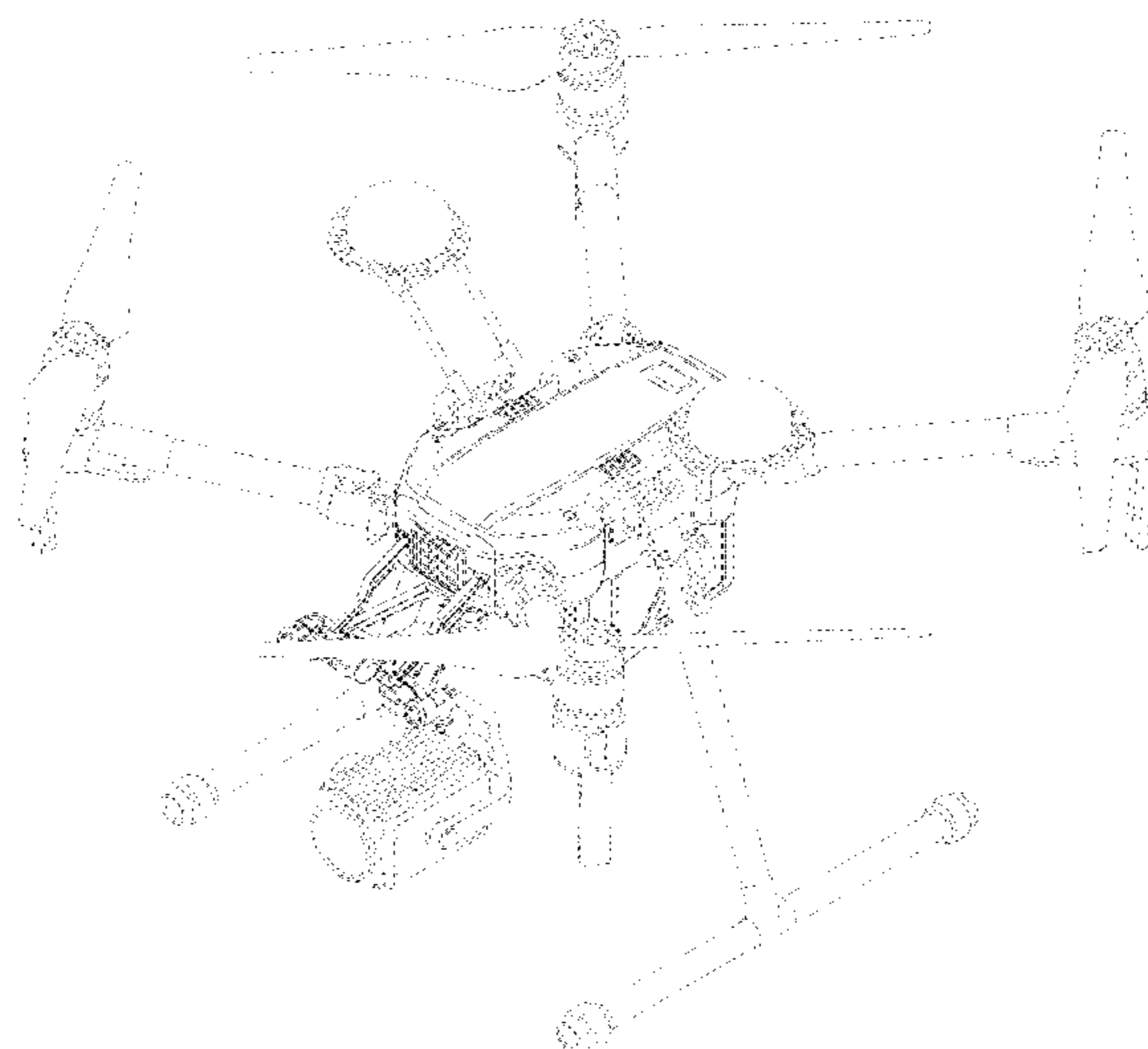
The broken lines in the figures show portions of the aerial  
vehicle that form no part of the claimed design.

(56) **References Cited**

**U.S. PATENT DOCUMENTS**

D197,038 S 12/1963 Howard  
D465,196 S 11/2002 Dammar  
D628,658 S 12/2010 Wurm

**1 Claim, 8 Drawing Sheets**



(56)

References Cited

U.S. PATENT DOCUMENTS

D763,134 S 8/2016 Wang  
 D767,043 S 9/2016 Morrison  
 D768,539 S 10/2016 Lee  
 D768,789 S 10/2016 Fargeau et al.  
 D772,991 S 11/2016 Caubel et al.  
 D777,263 S 1/2017 Lavagen et al.  
 D780,062 S 2/2017 Wu et al.  
 D782,365 S 3/2017 Hung  
 D782,366 S 3/2017 Xiao  
 D784,202 S 4/2017 Park  
 D784,854 S 4/2017 Huang et al.  
 D795,741 S 8/2017 Li  
 D795,742 S 8/2017 Li  
 D795,743 S 8/2017 Li  
 D795,784 S 8/2017 Guo et al.  
 D795,967 S 8/2017 Haley  
 D797,602 S 9/2017 Li  
 D798,961 S 10/2017 Li  
 D800,016 S 10/2017 Huang  
 D800,602 S 10/2017 Hsiao et al.  
 D801,224 S 10/2017 Li  
 D803,097 S 11/2017 Wang et al.  
 D803,098 S 11/2017 Lee  
 D803,328 S 11/2017 Lee  
 D805,425 S 12/2017 Hanscom  
 D805,431 S 12/2017 Li  
 D806,606 S 1/2018 Morrison  
 D808,860 S 1/2018 Tian et al.  
 D809,992 S 2/2018 Hu et al.  
 D813,723 S 3/2018 Ahn et al.  
 D813,724 S 3/2018 Hu  
 D814,970 S 4/2018 Chen et al.  
 D814,971 S 4/2018 Huang et al.  
 D814,972 S 4/2018 Ahn et al.  
 D814,973 S 4/2018 Li  
 D816,546 S 5/2018 Wang  
 D816,582 S 5/2018 Liang et al.  
 D817,850 S 5/2018 Xiao  
 D818,872 S 5/2018 Ho  
 D818,874 S 5/2018 Tian et al.  
 D819,749 S 6/2018 Caubel et al.  
 D820,158 S 6/2018 Jeong et al.  
 D820,768 S 6/2018 Wang et al.  
 D821,263 S 6/2018 Goldy  
 D825,379 S 8/2018 Gury et al.  
 D827,723 S 9/2018 Barajas et al.  
 D828,222 S 9/2018 Yu  
 D830,476 S 10/2018 Barse  
 10,386,188 B2 8/2019 Tian et al.  
 D862,360 S 10/2019 Liang et al.  
 D870,638 S 12/2019 Kuanliang et al.  
 D907,558 S \* 1/2021 Chen ..... D12/327  
 2012/0083945 A1 4/2012 Oakley et al.  
 2014/0117149 A1 5/2014 Zhou et al.  
 2015/0266577 A1 9/2015 Jones et al.

2015/0321755 A1 11/2015 Martin et al.  
 2016/0068266 A1 3/2016 Carroll  
 2016/0236777 A1 8/2016 Tang  
 2016/0375997 A1 12/2016 Welsh et al.  
 2016/0376004 A1 12/2016 Claridge et al.  
 2017/0101174 A1 4/2017 Ou  
 2017/0113789 A1 4/2017 Ou  
 2017/0129601 A1 5/2017 Babel et al.  
 2017/0133771 A1 5/2017 Xiao et al.  
 2017/0174316 A1 6/2017 Huddleston, Jr. et al.  
 2017/0210470 A1 7/2017 Pardell  
 2017/0225784 A1 8/2017 Hayes et al.  
 2017/0237948 A1 8/2017 Quast et al.  
 2017/0247113 A1 8/2017 Sanlerville  
 2017/0253332 A1 9/2017 Champagne, Jr. et al.  
 2017/0269609 A1 9/2017 Bradlow et al.  
 2017/0274983 A1 9/2017 Beckman et al.  
 2017/0285092 A1 10/2017 Moore  
 2017/0295069 A1 10/2017 Sweet, III et al.  
 2017/0297445 A1 10/2017 Zheng et al.  
 2017/0297707 A1 10/2017 Rollefstad et al.  
 2017/0301109 A1 10/2017 Chan et al.  
 2017/0340176 A1 11/2017 Liao  
 2018/0032087 A1 2/2018 Line  
 2018/0208301 A1 7/2018 Ye  
 2018/0281941 A1 10/2018 Hutson

FOREIGN PATENT DOCUMENTS

CN 303158651 S 4/2015  
 CN 303189588 S 4/2015  
 CN 303189592 S 4/2015  
 CN 303265002 S 7/2015  
 CN 303357297 S 9/2015  
 CN 303357298 S 9/2015  
 CN 303491333 S 12/2015  
 CN 303530922 S 12/2015  
 CN 303562868 S 1/2016  
 CN 303584645 S 2/2016  
 CN 303634090 S 4/2016  
 CN 303745744 S 7/2016  
 CN 303853855 S 9/2016  
 CN 303986875 S 12/2016  
 CN 304013295 S 1/2017  
 CN 304028567 S 2/2017  
 KR 30-2014-0001302 12/2014  
 KR 30-0847373 3/2016  
 WO WO DM085114 6/2015

OTHER PUBLICATIONS

“DJI Introduces M200 Series Drones Built For Enterprise Solutions” by DJI dated Feb. 26, 2017. <<https://www.dji.com/newsroom/news/djiintroduces-m200-series-drones-built-for-enterprise-solutions>>.

\* cited by examiner

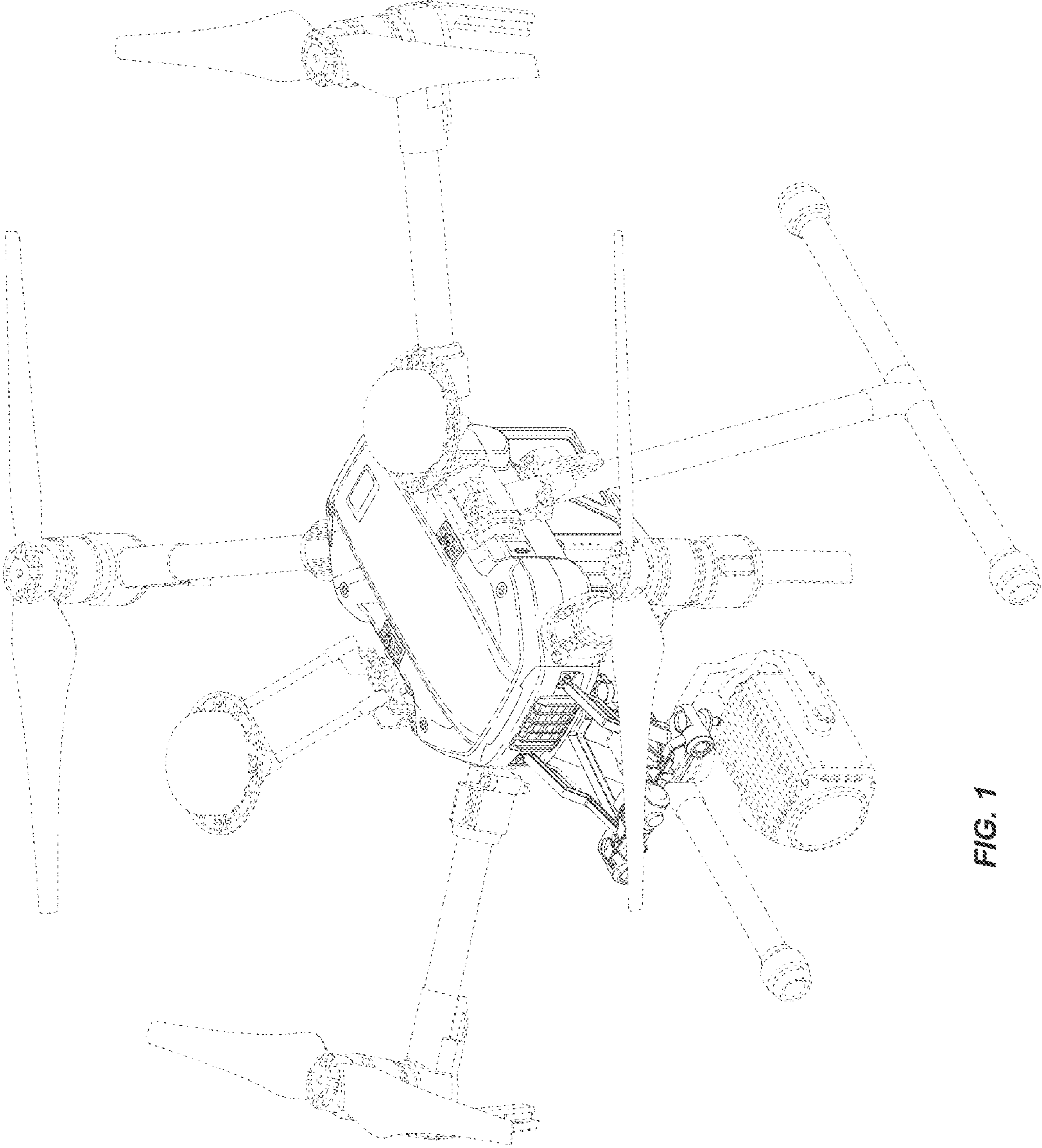


FIG. 1

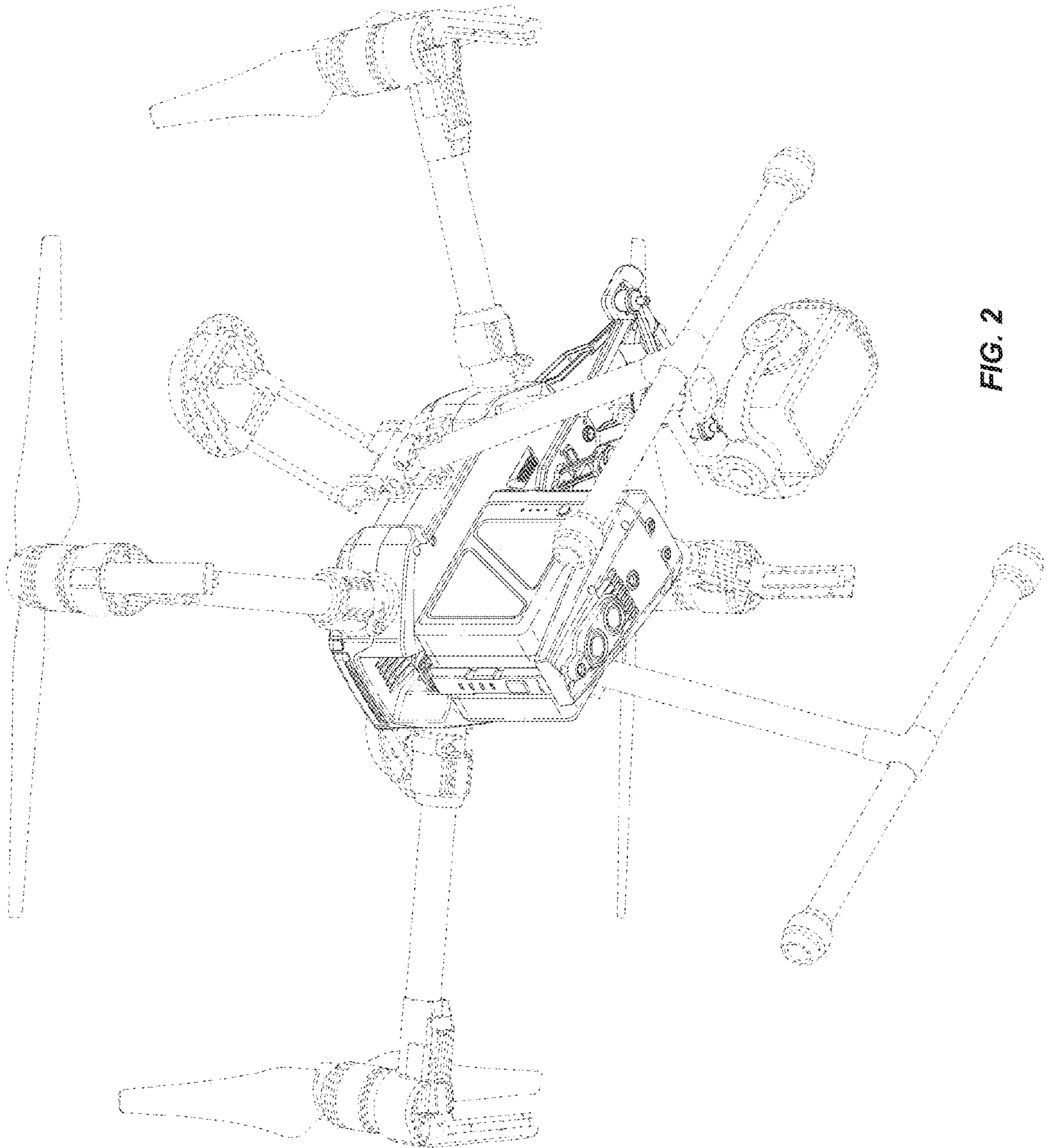
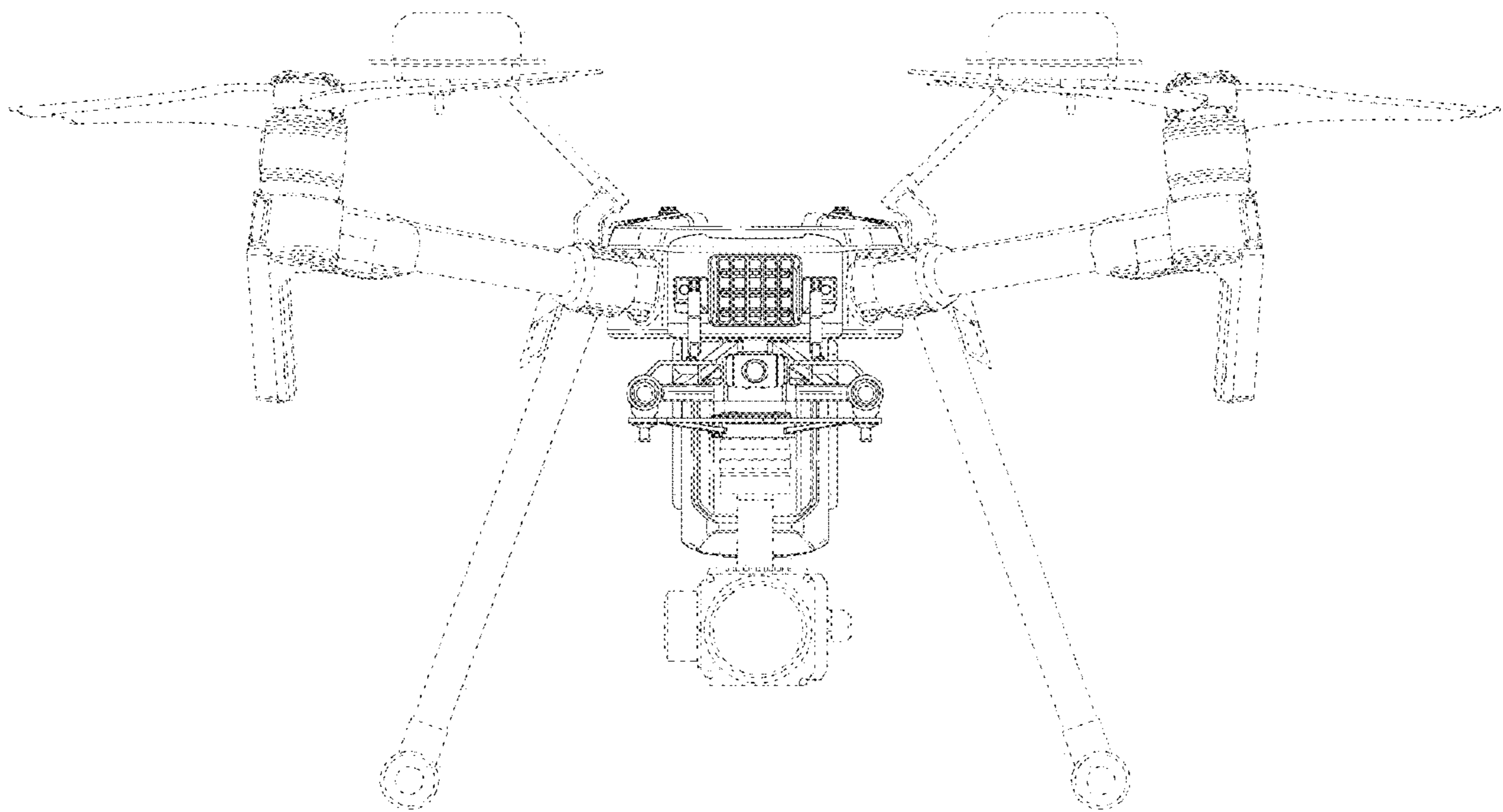
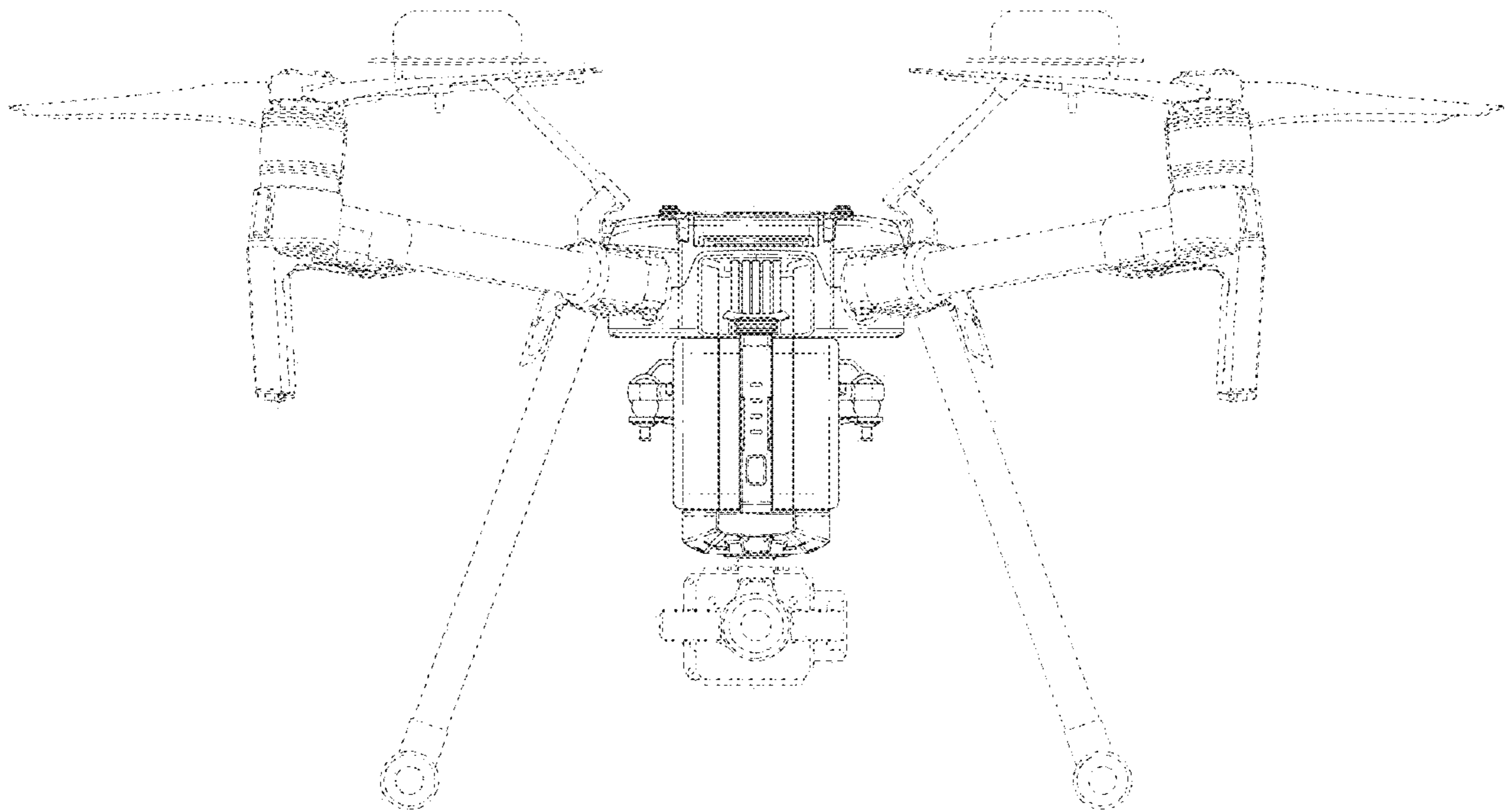


FIG. 2



**FIG. 3**



**FIG. 4**

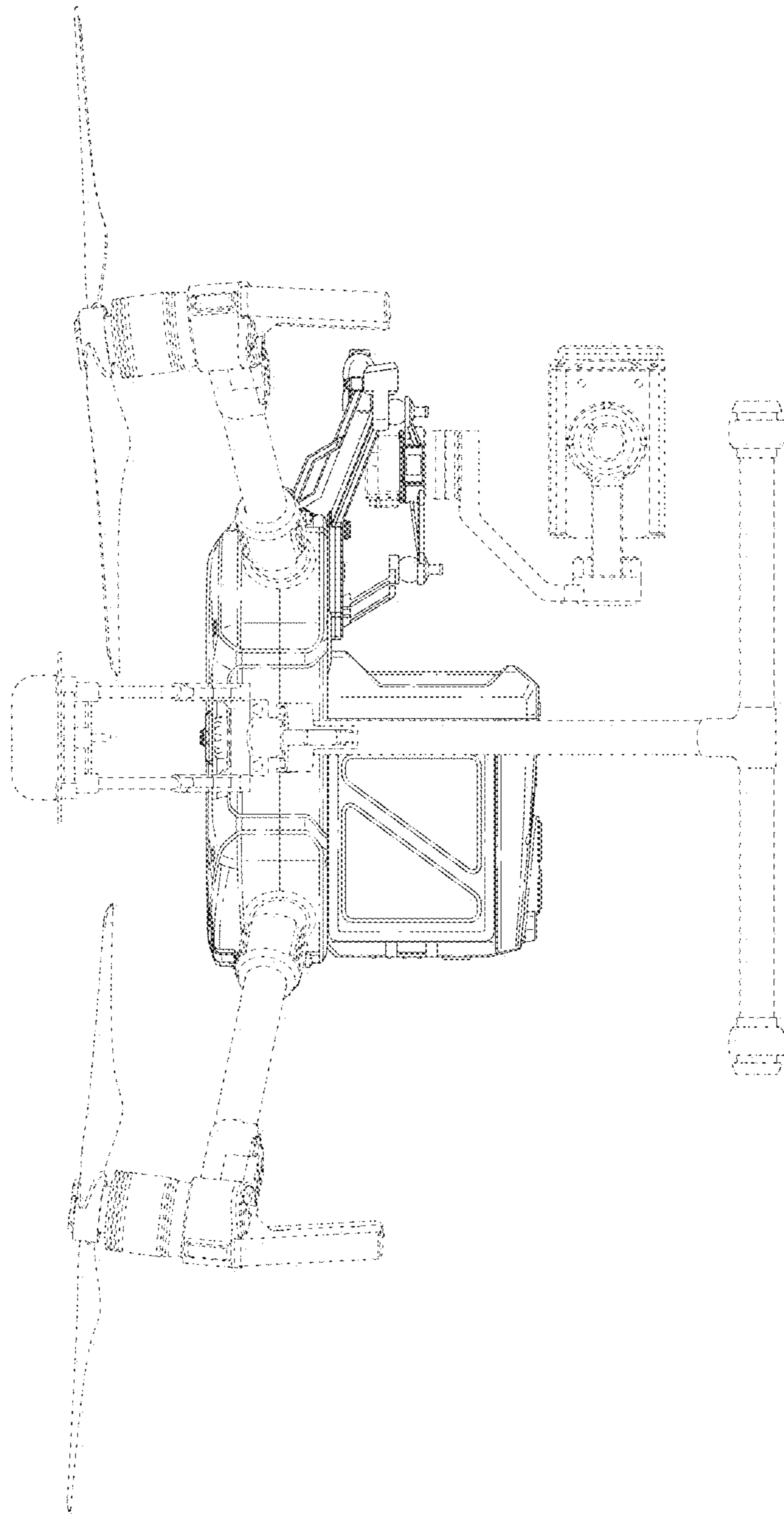


FIG. 5

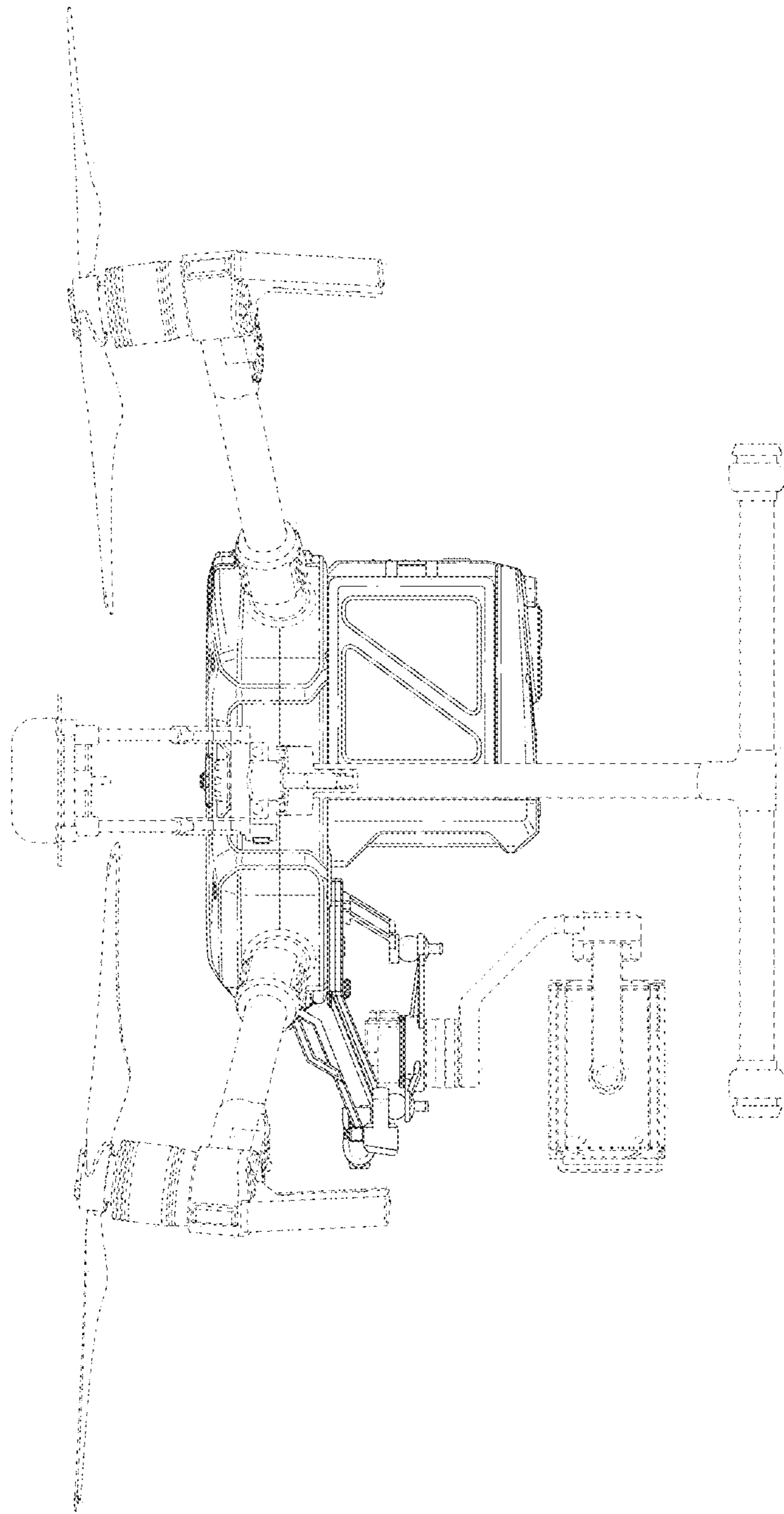


FIG. 6



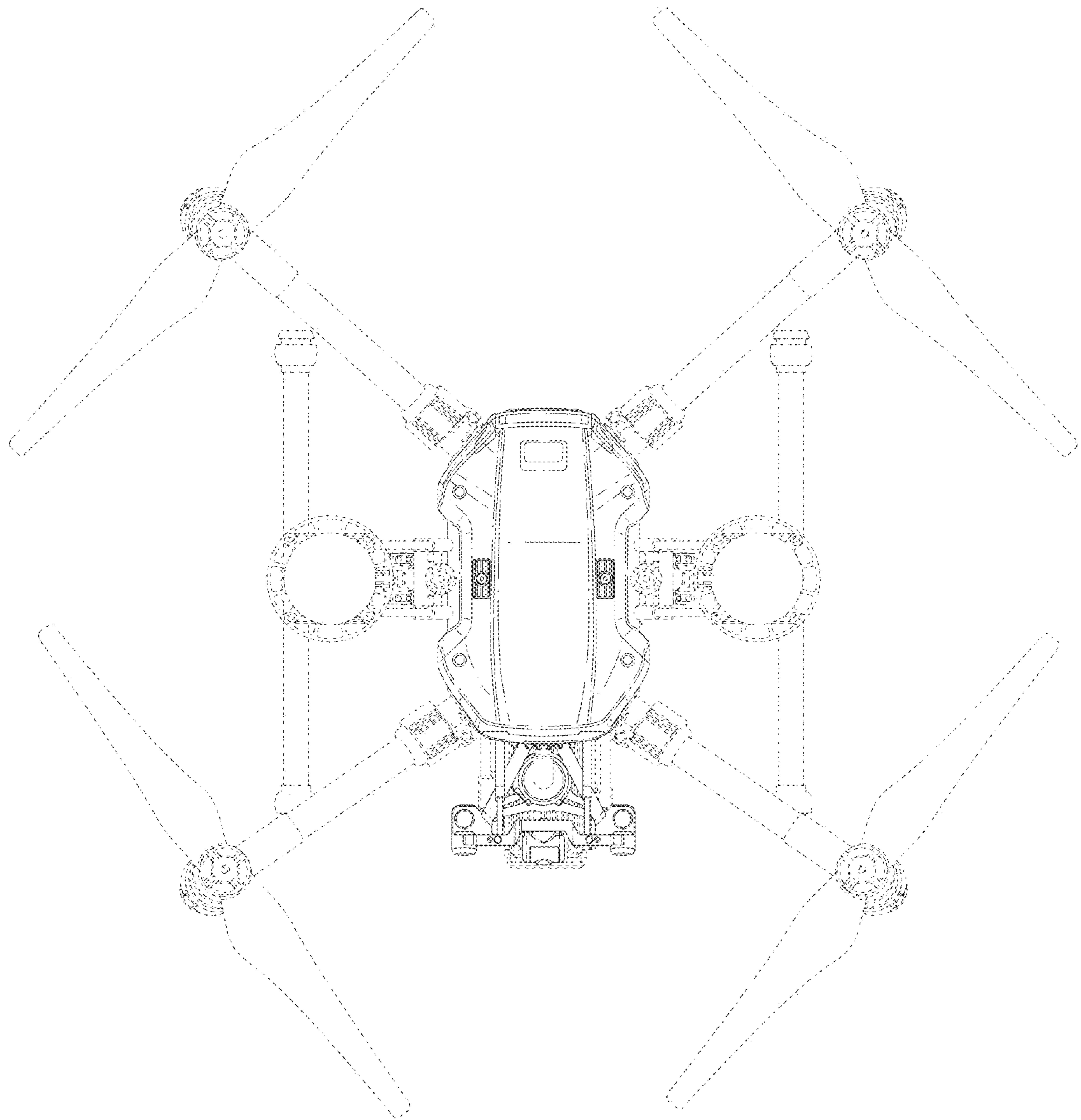


FIG. 7

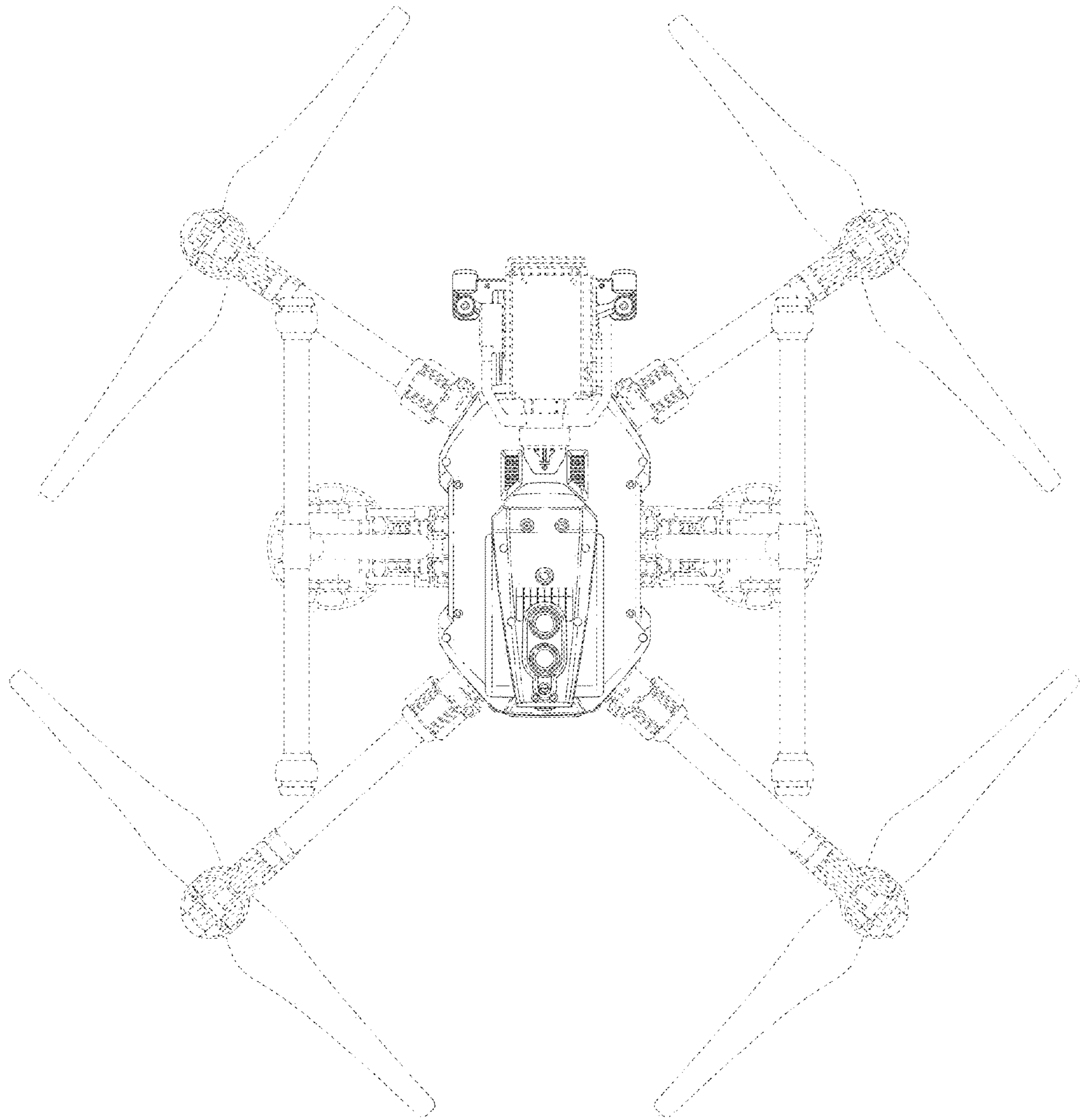


FIG. 8