



US00D934145S

(12) **United States Design Patent**
Chung

(10) **Patent No.:** **US D934,145 S**

(45) **Date of Patent:** **** Oct. 26, 2021**

(54) **WHEEL**

(71) Applicant: **Wheel Pros, LLC**, Greenwood Village,
CO (US)

(72) Inventor: **Suny Chung**, Anaheim, CA (US)

(**) Term: **15 Years**

(21) Appl. No.: **29/700,305**

(22) Filed: **Aug. 1, 2019**

(51) **LOC (13) Cl.** **12-16**

(52) **U.S. Cl.**
USPC **D12/209**

(58) **Field of Classification Search**

USPC D12/204–213; D21/563
CPC B60B 7/00; B60B 7/02; B60B 7/04; B60B
7/01; B60B 7/06; B60B 3/02; B60B 3/04;
B60B 3/06; B60B 3/10; B60B 1/00;
B60B 1/08; B60B 1/10; B60B 1/12

See application file for complete search history.

D505,374 S	5/2005	Aleman
D510,307 S	10/2005	Howes
D523,797 S	6/2006	Gallert
D524,212 S	7/2006	Phillips
D524,220 S	7/2006	Scheu
D528,495 S	9/2006	Truebsbach
D542,209 S	5/2007	Pfeiffer
D549,148 S	8/2007	Buschmann
D569,777 S	5/2008	Chung
D577,650 S	9/2008	Chung
D579,845 S	11/2008	Chung
D582,831 S	12/2008	Musser
D598,357 S	8/2009	Chung
D617,723 S	6/2010	Zhao
D623,109 S	9/2010	Markefka
D635,903 S	4/2011	Zhang
D654,007 S	2/2012	Nissl
D654,420 S	2/2012	Guay
D660,771 S	5/2012	Mueller-Stolz
D669,009 S	10/2012	Chung
D686,961 S	7/2013	Chung
D695,193 S	12/2013	Kong
D698,298 S	1/2014	Cortes
D698,300 S	1/2014	Chung
D702,172 S	4/2014	Chung
D704,117 S	5/2014	Chung
D704,617 S	5/2014	Chung

(Continued)

(56) **References Cited**

U.S. PATENT DOCUMENTS

D291,796 S	9/1987	Reid
D361,975 S	9/1995	Weld
D391,216 S	2/1998	Ballmann
D408,775 S	4/1999	Shikado
D453,492 S	2/2002	Laengerer
D455,698 S	4/2002	Chung
D467,212 S	12/2002	Noriega
D470,094 S	2/2003	van Hooydonk
D480,036 S	9/2003	Laengerer
D482,996 S	12/2003	Sulahian
D492,925 S	7/2004	Fitzgerald
D496,317 S	9/2004	Kataoka
D499,684 S	12/2004	Cheng
D502,438 S	3/2005	Weld
D504,859 S	5/2005	Sulahian

Primary Examiner — Stacia A Cadmus

(74) *Attorney, Agent, or Firm* — Eric Hanscom

(57) **CLAIM**

The ornamental design for a wheel, as shown and described.

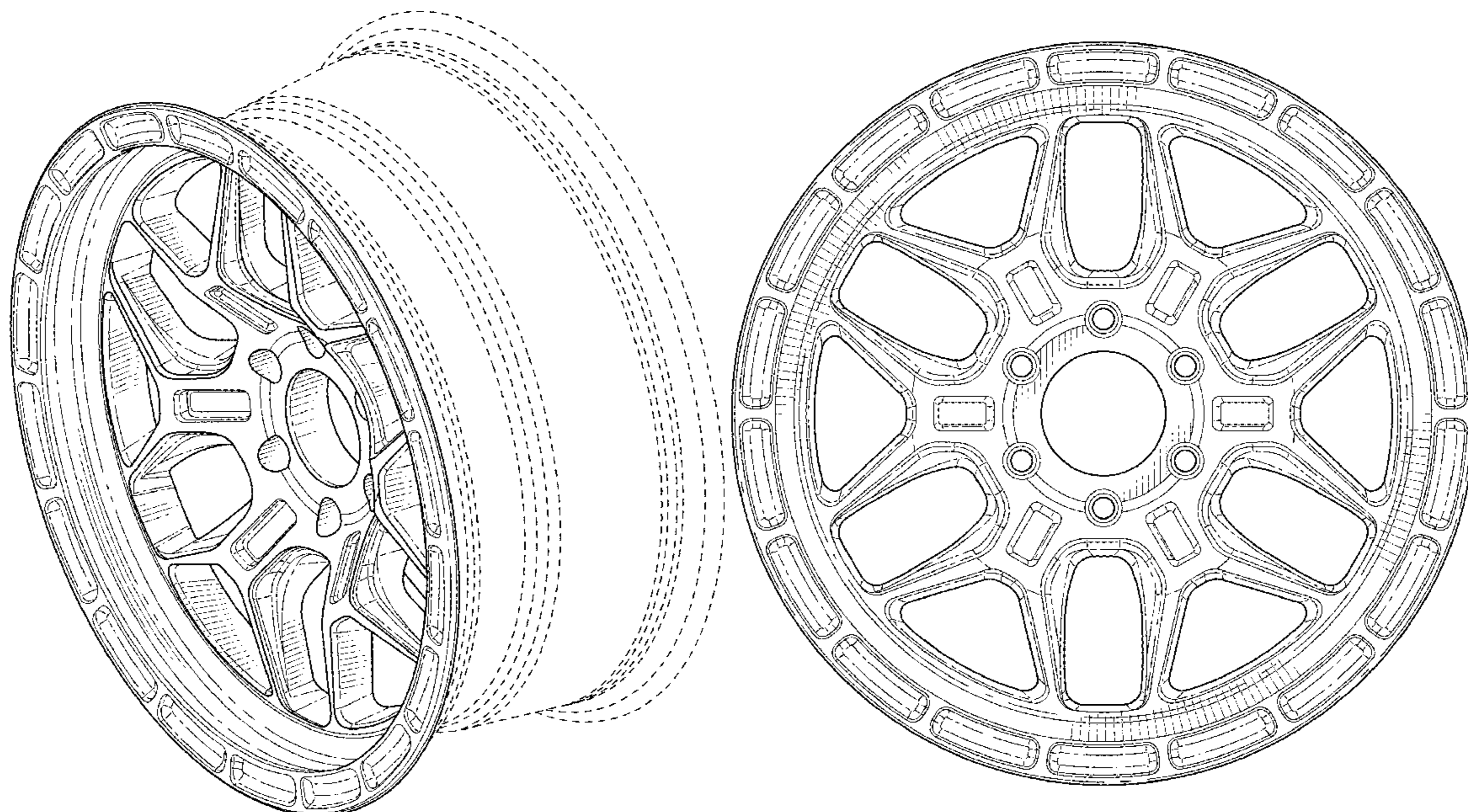
DESCRIPTION

FIG. 1 is a perspective view of a wheel showing my new design; and,

FIG. 2 is a front view thereof.

In the drawings the broken lines depict portions of the wheel that form no part of the claimed design.

1 Claim, 2 Drawing Sheets



(56)

References Cited

U.S. PATENT DOCUMENTS

D706,197 S 6/2014 Chung
 D707,167 S 6/2014 Chung
 D709,020 S 7/2014 Chung
 D713,316 S 9/2014 Song
 D714,207 S 9/2014 Kim
 D717,709 S 11/2014 Pollex
 D719,893 S 12/2014 Kim
 D731,946 S 6/2015 Chung
 D742,293 S 11/2015 Chung
 D753,046 S 4/2016 Liffick
 D756,882 S 5/2016 Tirado
 D758,279 S * 6/2016 Platto D12/211
 D763,163 S * 8/2016 Chung D12/211
 D766,805 S 9/2016 Chung
 D769,785 S 10/2016 Wells
 D780,655 S 3/2017 Trim
 D798,786 S 10/2017 Chung
 D798,789 S 10/2017 Kong
 D799,395 S 10/2017 Chung
 D800,633 S 10/2017 Kong
 D802,512 S 11/2017 Kong
 D805,454 S 12/2017 Kong
 D805,455 S 12/2017 Kong
 D807,805 S 1/2018 Caldwell
 D808,876 S 1/2018 Caldwell
 D811,978 S * 3/2018 Hodges D12/211
 D817,845 S 5/2018 Guidry
 D821,284 S 6/2018 Tran
 D824,316 S 7/2018 Tran
 D826,827 S 8/2018 Tran
 D829,629 S * 10/2018 Chung D12/209
 D832,763 S * 11/2018 Han D12/209
 D833,360 S 11/2018 Kong
 D833,950 S * 11/2018 Sempek D12/211
 D835,023 S 12/2018 Tran
 D838,223 S 1/2019 Chung
 D840,900 S 2/2019 Licklitter

D840,901 S 2/2019 Licklitter
 D840,902 S 2/2019 Licklitter
 D842,202 S * 3/2019 Han D12/209
 D848,927 S * 5/2019 Kleinschuster D12/211
 D849,655 S 5/2019 Kong
 D849,658 S * 5/2019 Licklitter D12/211
 D850,349 S 6/2019 Licklitter
 D852,706 S 7/2019 Tran
 D860,899 S 9/2019 Licklitter
 D860,900 S 9/2019 Licklitter
 D860,901 S 9/2019 Licklitter
 D862,341 S 10/2019 Kong
 D865,617 S * 11/2019 Hahn D12/209
 D865,623 S * 11/2019 Han D12/209
 D868,664 S * 12/2019 Dewitt D12/211
 D871,997 S * 1/2020 Itaya D12/209
 D879,001 S * 3/2020 Lee D12/209
 D892,019 S * 8/2020 Grand D12/209
 D893,386 S 8/2020 Chung
 D896,729 S 9/2020 Chung
 D897,926 S 10/2020 Chung
 D899,999 S 10/2020 Kong
 D904,271 S 12/2020 Henderson
 D904,272 S 12/2020 Licklitter
 D909,272 S 2/2021 Chung
 D910,525 S 2/2021 Tran
 D911,245 S 2/2021 Chung
 D912,589 S 3/2021 Hale, Jr.
 D912,591 S 3/2021 Tran
 D912,595 S * 3/2021 VanRyn D12/209
 D915,978 S * 4/2021 Ma D12/209
 D917,368 S * 4/2021 Kaneko D12/211
 D918,810 S 5/2021 Licklitter
 D919,537 S * 5/2021 Kaoud D12/209
 D921,556 S * 6/2021 Zhang D12/211
 D922,291 S * 6/2021 Kaoud D12/209
 D922,928 S 6/2021 Kong
 D927,386 S 8/2021 Licklitter
 D927,397 S * 8/2021 Lee D12/211

* cited by examiner

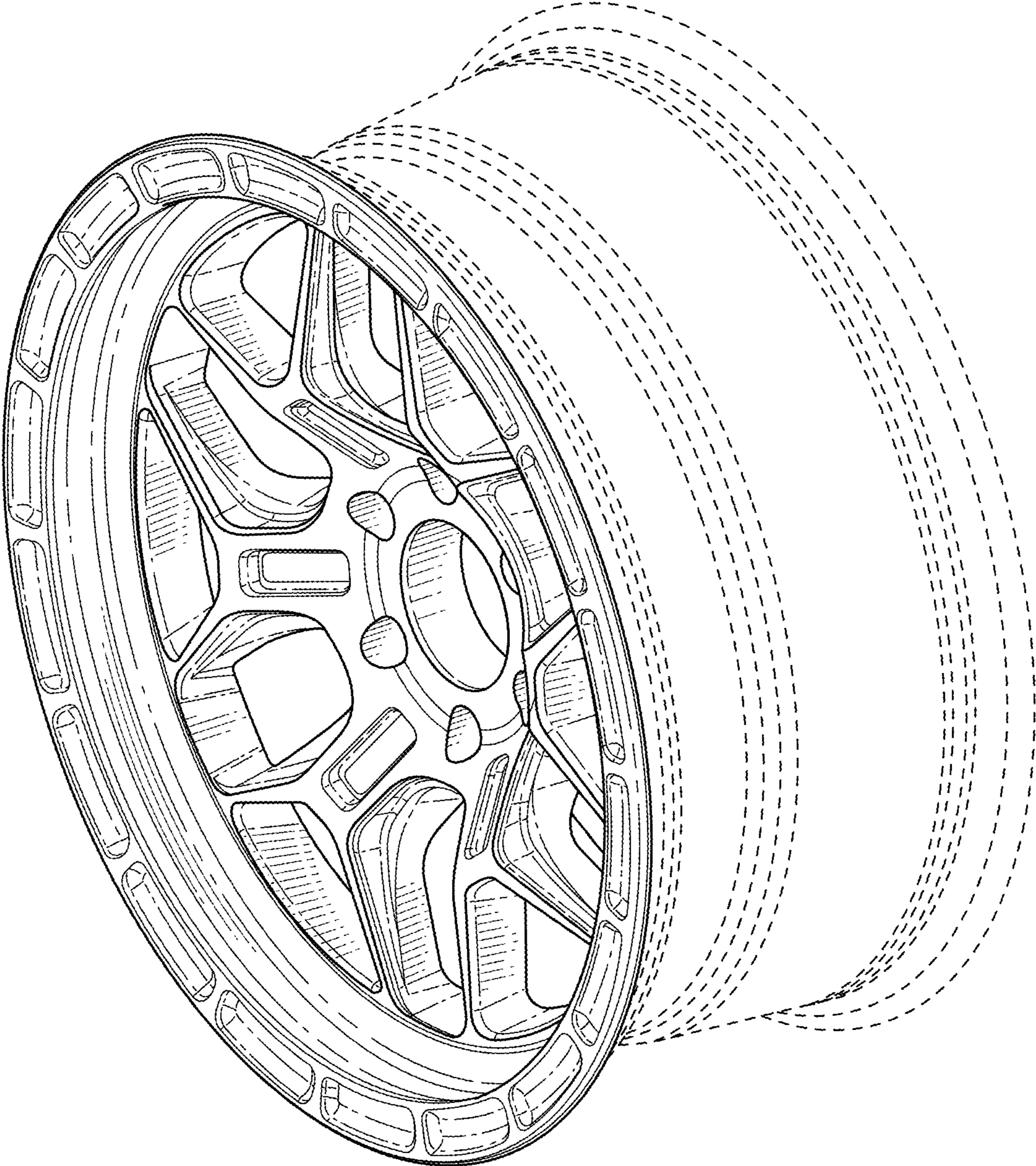


FIG. 1

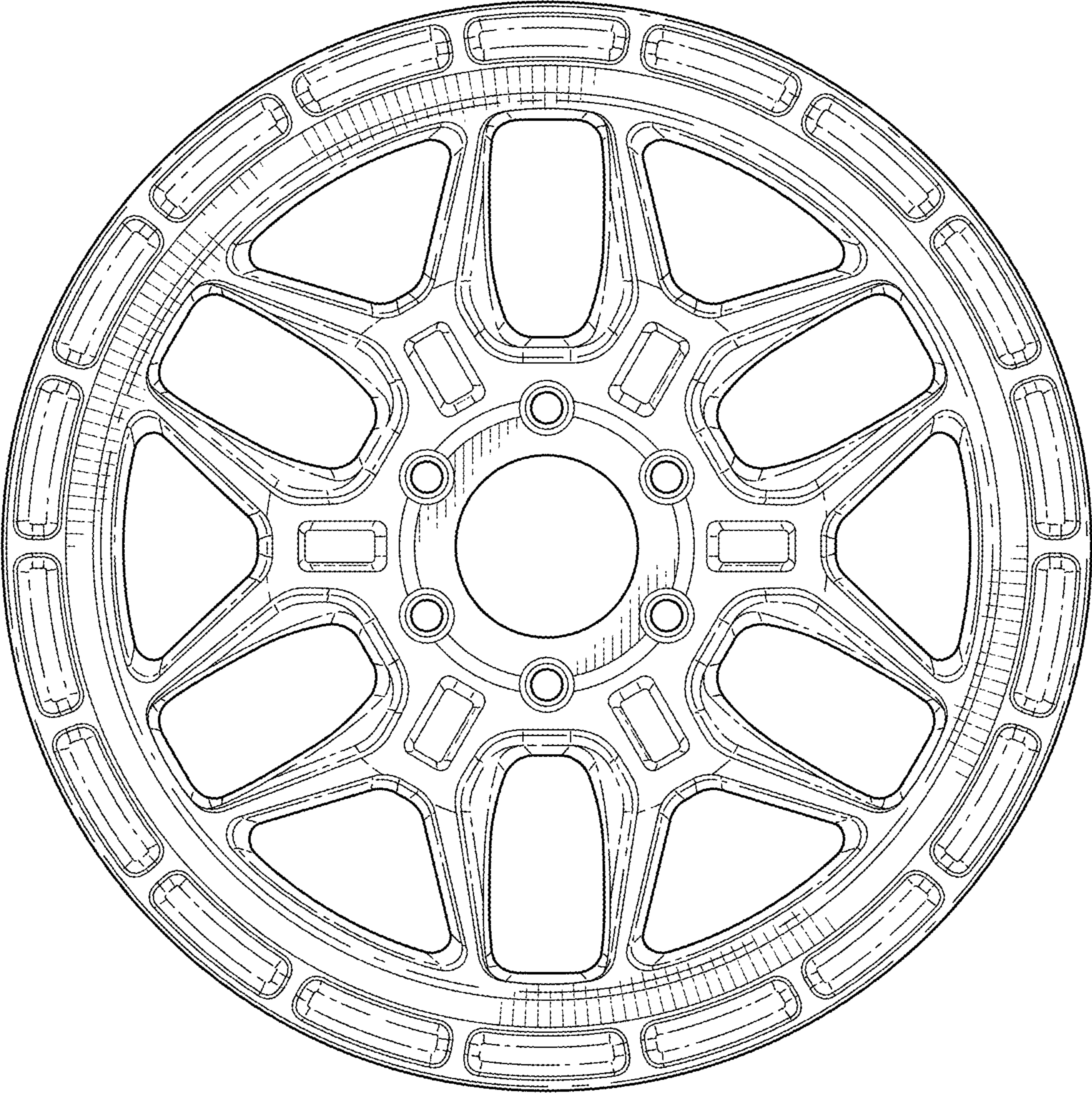


FIG. 2