



US00D934144S

(12) **United States Design Patent**
Chen et al.

(10) **Patent No.:** **US D934,144 S**

(45) **Date of Patent:** **** Oct. 26, 2021**

- (54) **FUEL TANK CAP**
- (71) Applicants: **Zaixin Chen**, Guangdong (CN); **Cheng Tian**, Guangdong (CN)
- (72) Inventors: **Zaixin Chen**, Guangdong (CN); **Cheng Tian**, Guangdong (CN)
- (73) Assignee: **Shenzhen Maite Trade Co., Ltd.**, Shenzhen (CN)

D477,554 S *	7/2003	Keefe	D12/197
D503,667 S *	4/2005	Keefe	D12/197
D547,172 S *	7/2007	Kent	D8/397
D566,640 S *	4/2008	Holz	D12/197
D585,348 S *	1/2009	Yan	D12/197
D721,423 S *	1/2015	Jacques	D23/260
D806,544 S *	1/2018	Williams	D9/445
D816,005 S *	4/2018	Johns	D12/197
D876,304 S *	2/2020	Kito	D12/197
D906,806 S *	1/2021	Joshi	D9/443
D909,943 S *	2/2021	Tinius	D12/197

(**) Term: **15 Years**

(21) Appl. No.: **29/729,207**

(22) Filed: **Mar. 25, 2020**

(51) **LOC (13) Cl.** **12-16**

(52) **U.S. Cl.**
USPC **D12/197**

(58) **Field of Classification Search**
 USPC D12/197-201, 317, 114, 216, 218, 400;
 D9/451-454, 443-444, 435, 439; D15/5,
 D15/6, 150; D7/398, 598; D8/310-312,
 D8/107, 397; D3/202, 203.2, 294, 318;
 D28/91, 91.1; D23/249, 260; D14/214,
 D14/204, 210, 215, 216
 CPC B60K 15/04; B60K 15/0406; B60K 15/05;
 B60H 1/34; B62K 19/06; B62K 19/08;
 B62K 19/48; B62K 19/32
 See application file for complete search history.

(56) **References Cited**

U.S. PATENT DOCUMENTS

D320,562 S *	10/1991	Brester	D9/452
D397,076 S *	8/1998	Seibert	D12/197

* cited by examiner

Primary Examiner — Susan E Krakower

Assistant Examiner — Jerry Shiuan-Hua Hsu

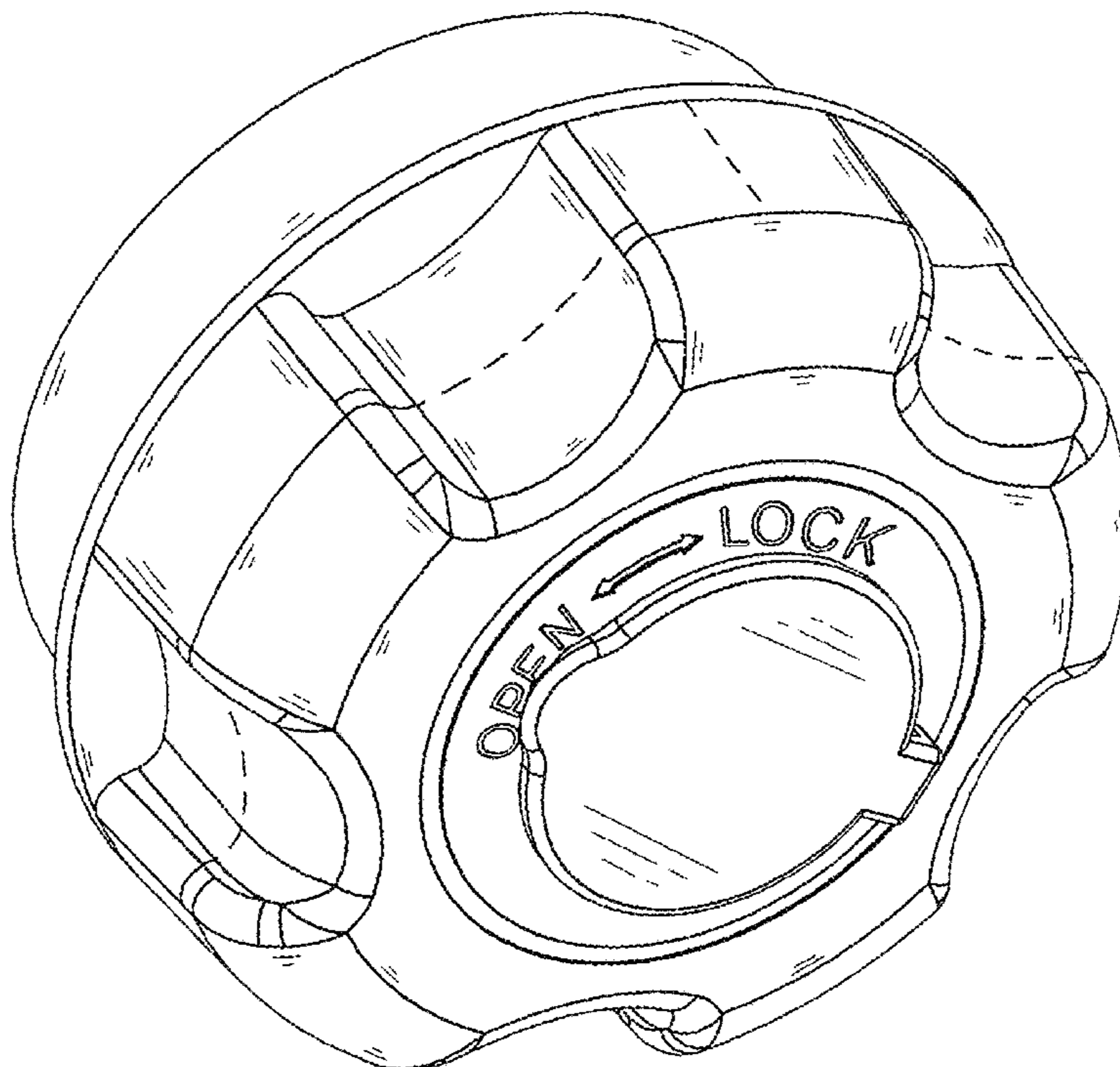
(57) **CLAIM**

The ornamental design for a fuel tank cap, as shown and described.

DESCRIPTION

FIG. 1 is a perspective view of a fuel tank cap showing our new design;
 FIG. 2 is a front elevation view thereof;
 FIG. 3 is a left side elevation view thereof;
 FIG. 4 is a right side elevation view thereof;
 FIG. 5 is a top plan view thereof; and,
 FIG. 6 is a bottom plan view thereof.
 The broken lines in the drawings illustrate portions of the fuel tank cap that form no part of the claimed design.

1 Claim, 6 Drawing Sheets



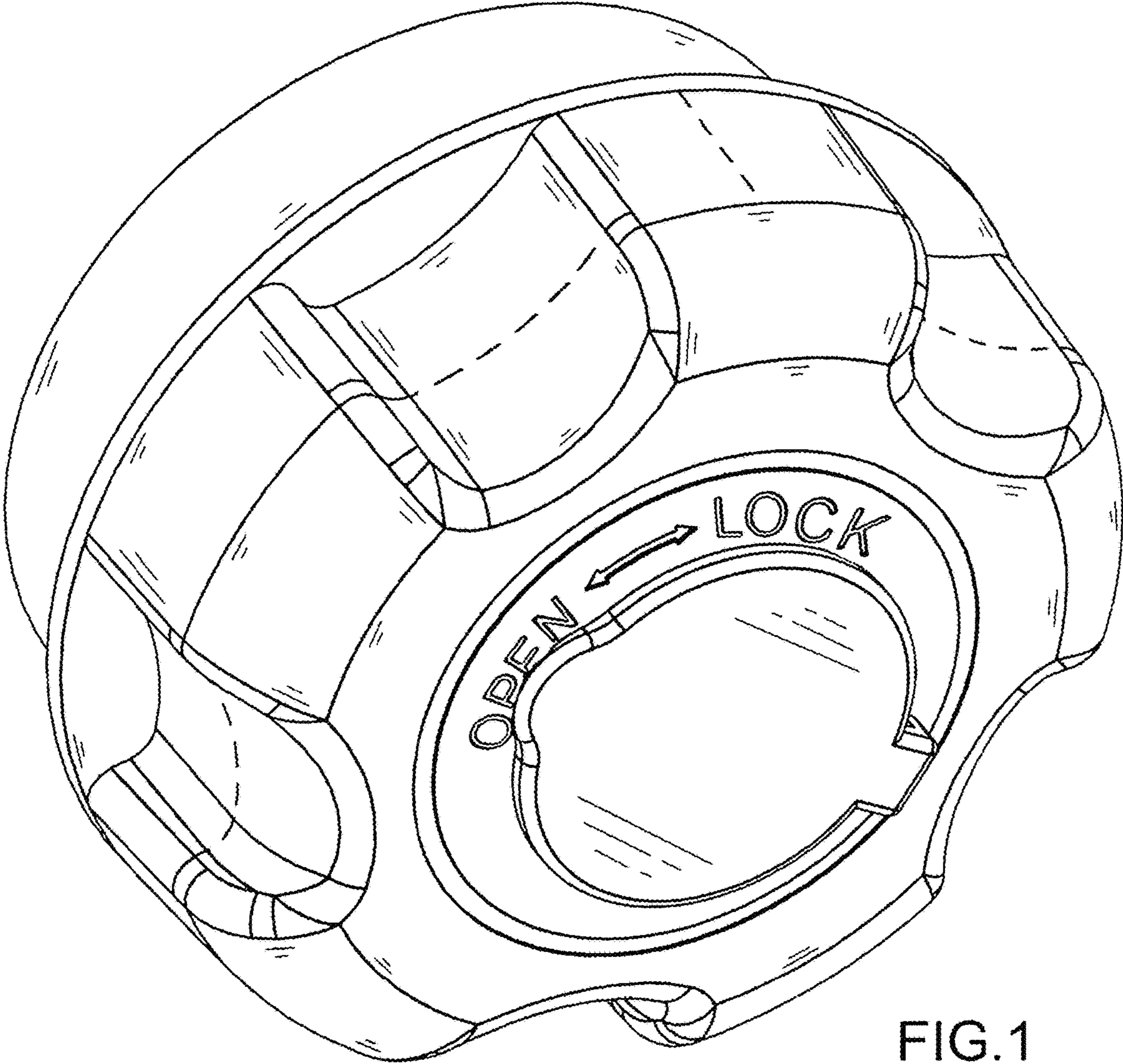


FIG.1

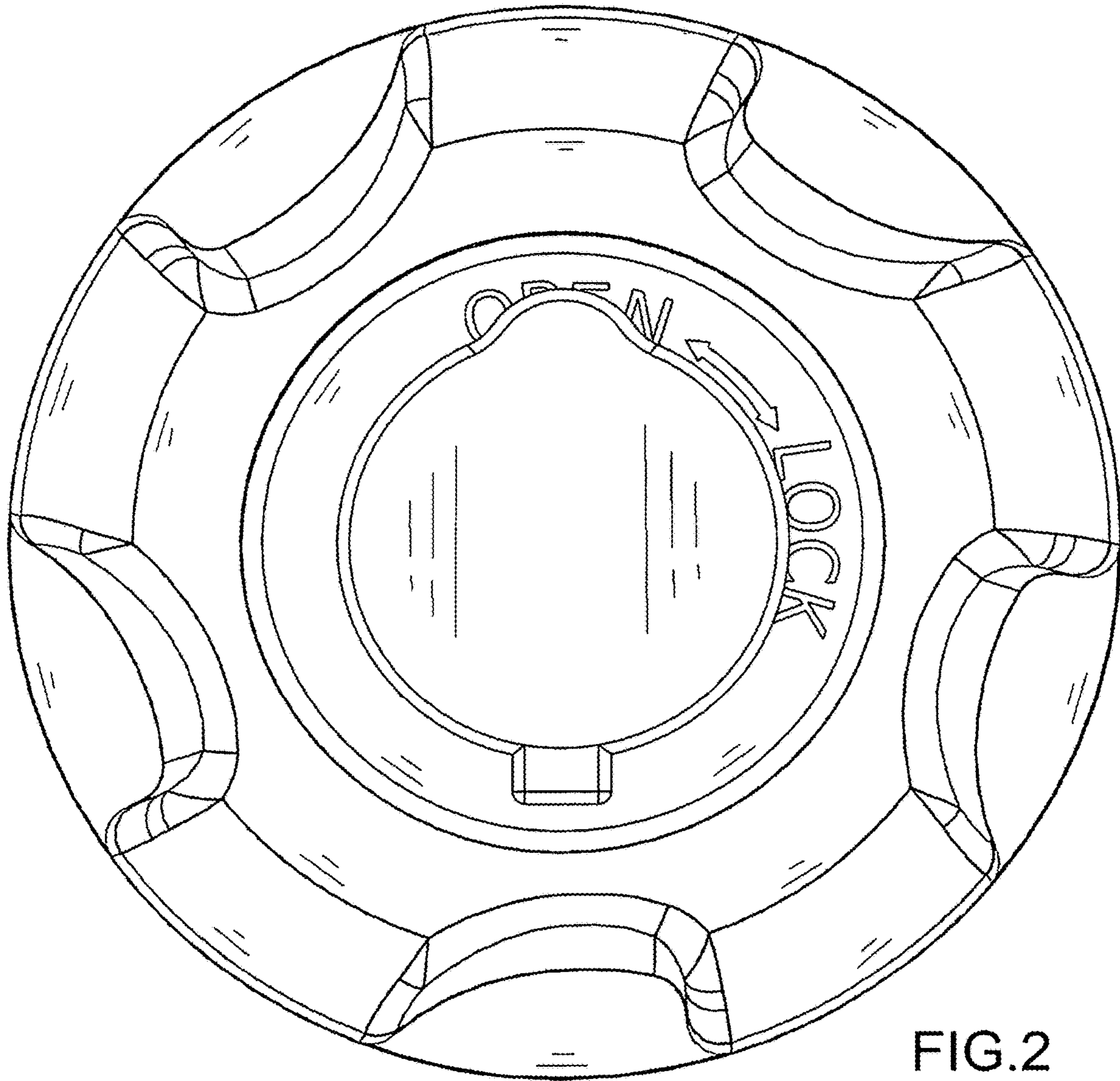


FIG. 2

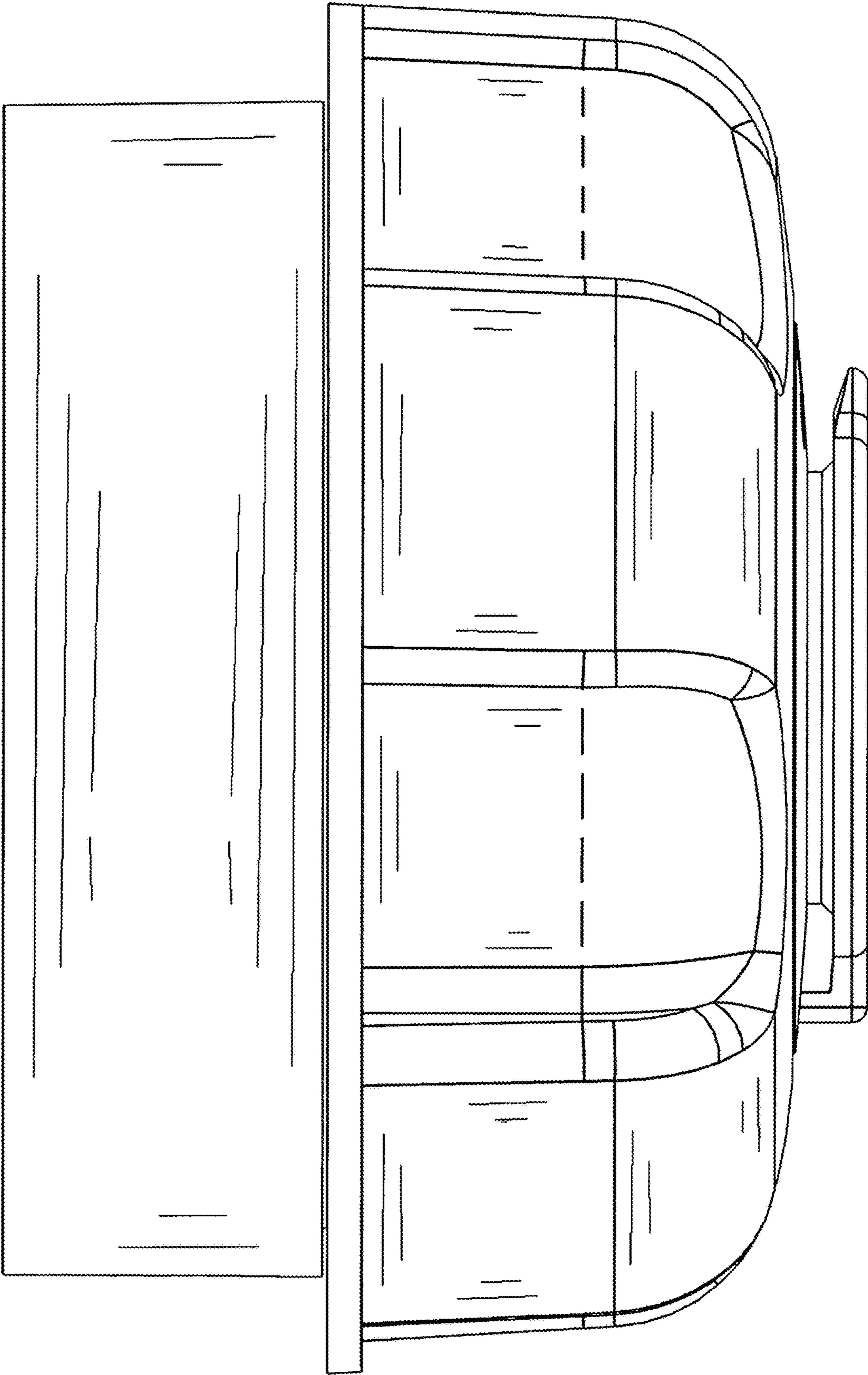


FIG.3

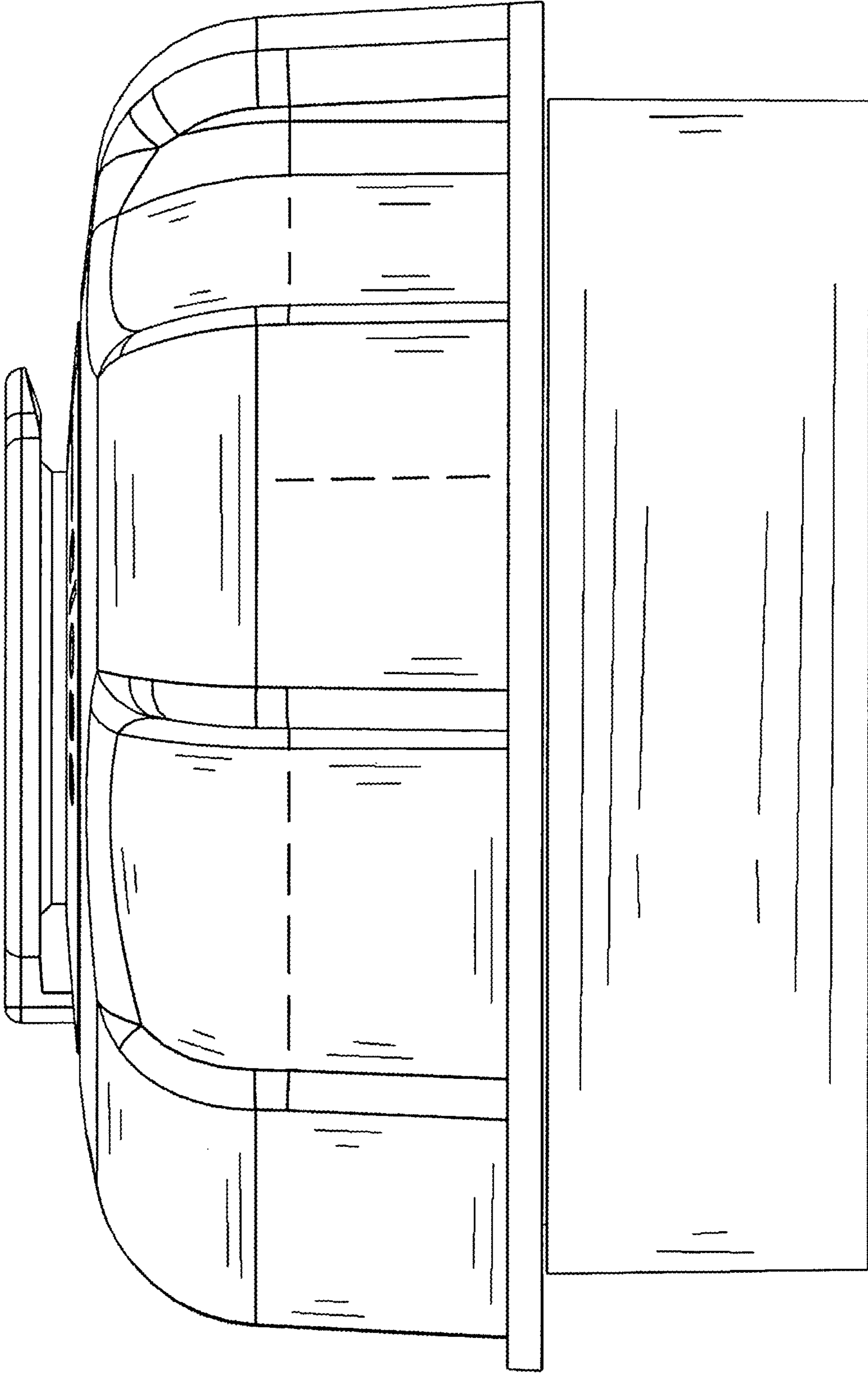


FIG.4

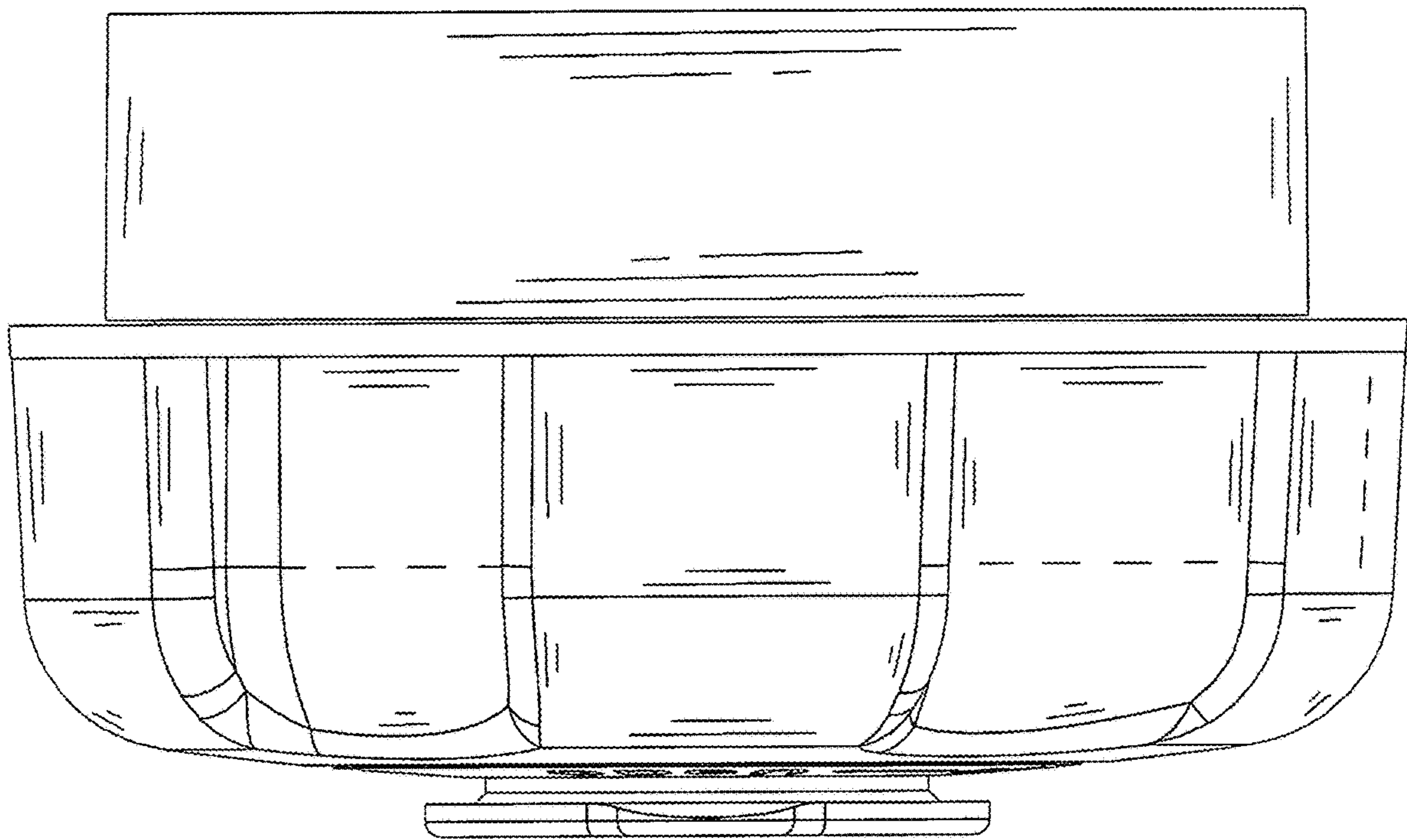


FIG.5

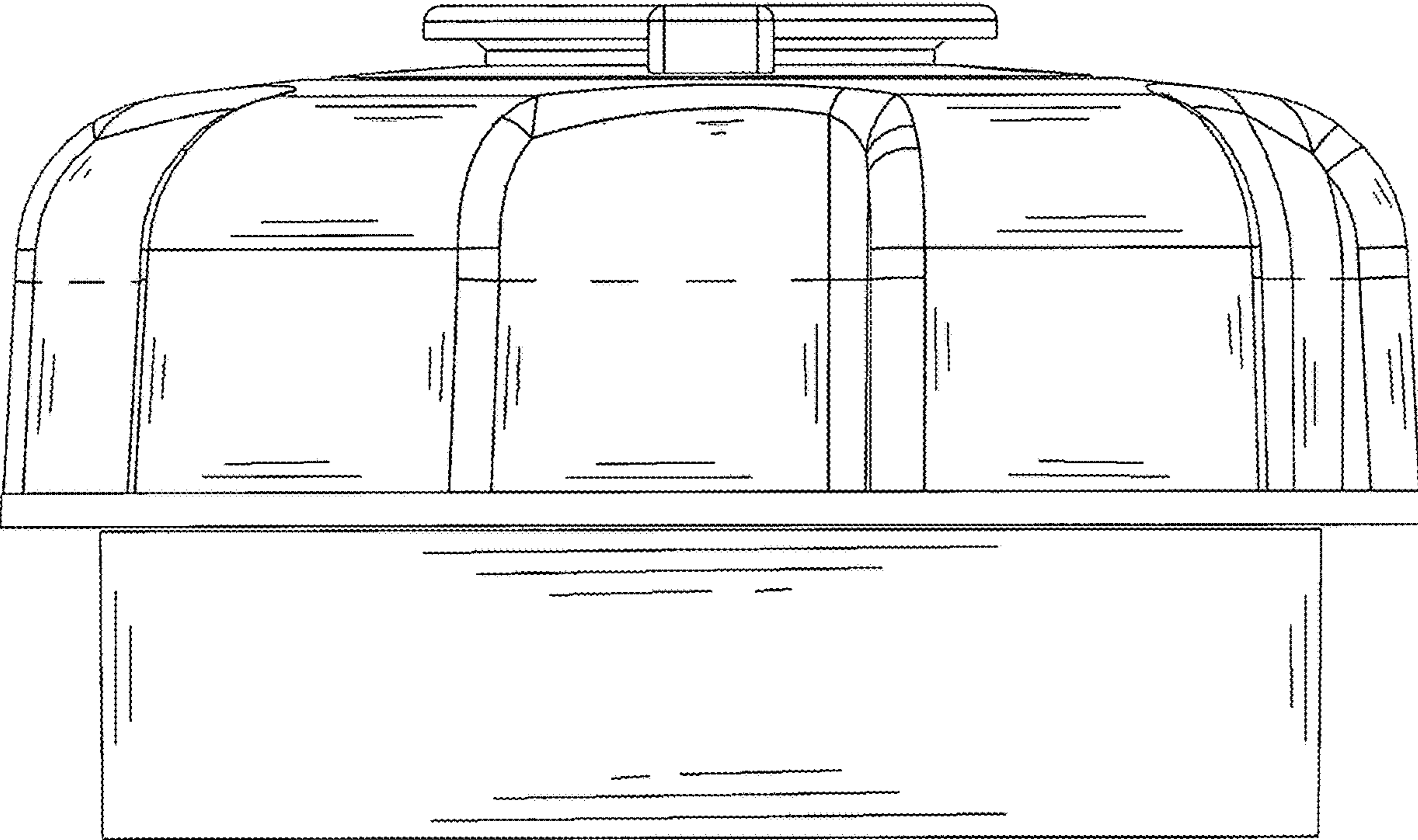


FIG.6