



US00D934143S

(12) **United States Design Patent**
Difrancescantonio et al.

(10) **Patent No.:** **US D934,143 S**

(45) **Date of Patent:** **** Oct. 26, 2021**

(54) **INSTRUMENT PANEL FOR A VEHICLE**

(71) Applicant: **Jaguar Land Rover Limited**, Coventry (GB)

(72) Inventors: **Andrea Difrancescantonio**, Coventry (GB); **Toby Nunn**, Coventry (GB)

(73) Assignee: **JAGUAR LAND ROVER LIMITED**, Whitley Coventry (GB)

(**) Term: **15 Years**

(21) Appl. No.: **29/720,012**

(22) Filed: **Jan. 9, 2020**

(30) **Foreign Application Priority Data**

Jul. 11, 2019 (EM) 006623104

(51) **LOC (13) Cl.** **12-16**

(52) **U.S. Cl.**
USPC **D12/192**

(58) **Field of Classification Search**
USPC D12/192, 415, 110, 114, 400, 401, 195;
D10/46, 98, 102, 103, 122-127; D15/17,
D15/2; D26/28-36, 72, 80, 90
CPC B60N 2/853
See application file for complete search history.

(56) **References Cited**

U.S. PATENT DOCUMENTS

D407,167 S * 3/1999 Sacco D26/28
D430,089 S * 8/2000 Wyszogrod D12/192

D511,729 S * 11/2005 Yamazaki D12/192
D519,895 S * 5/2006 Akimaru D12/192
D529,424 S * 10/2006 Norman D12/195
D601,068 S * 9/2009 Woodhouse Lampkin
D12/192
D666,544 S * 9/2012 Tsay D12/195
D793,932 S * 8/2017 Yoon D12/192
D885,280 S * 5/2020 Battaglia D12/195
10,875,435 B1 * 12/2020 Battaglia B60N 2/853
D907,565 S * 1/2021 Carnes D12/415

* cited by examiner

Primary Examiner — Susan E Krakower

Assistant Examiner — Jerry Shiuan-Hua Hsu

(74) *Attorney, Agent, or Firm* — Reising Ethington P.C.

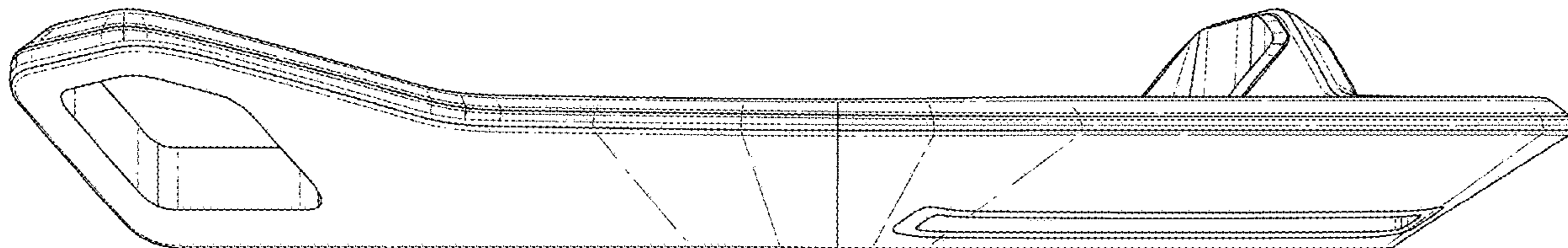
(57) **CLAIM**

The ornamental design for an instrument panel for a vehicle, as shown and described.

DESCRIPTION

FIG. 1 is a front left perspective view of an instrument panel for a vehicle, according to the present invention.
FIG. 2 is a rear right perspective view thereof.
FIG. 3 is a front view thereof.
FIG. 4 is a rear view thereof.
FIG. 5 is a left side view thereof.
FIG. 6 is a right side view thereof.
FIG. 7 is a top view thereof; and,
FIG. 8 is a bottom view thereof.

1 Claim, 6 Drawing Sheets



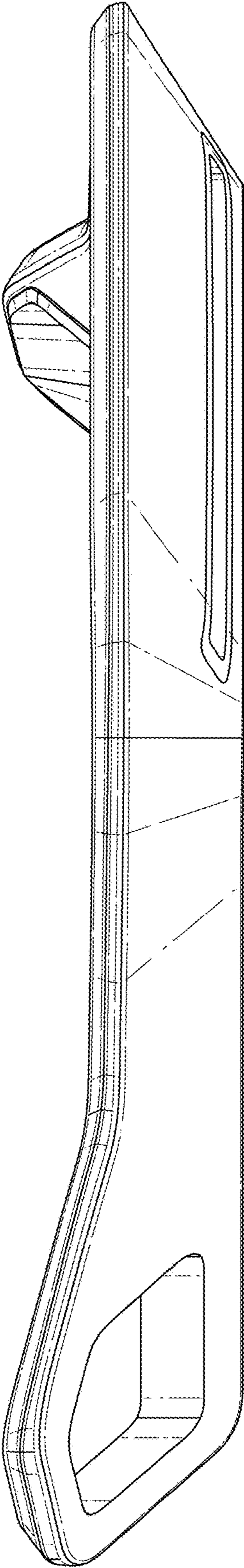


FIG. 1

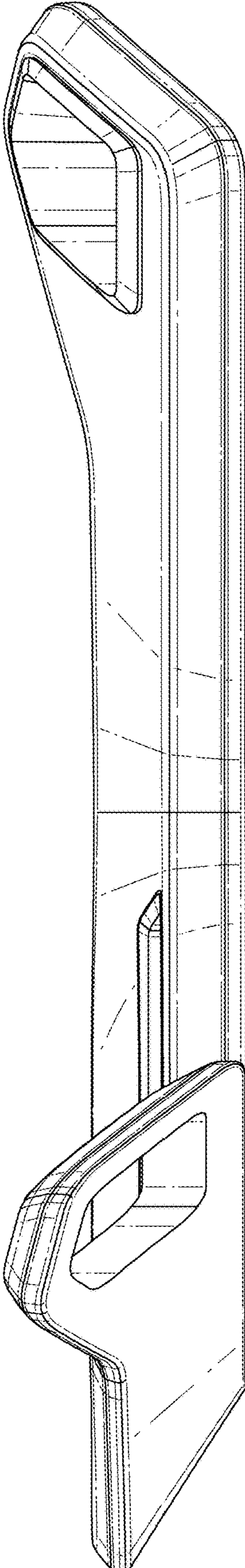


FIG. 2

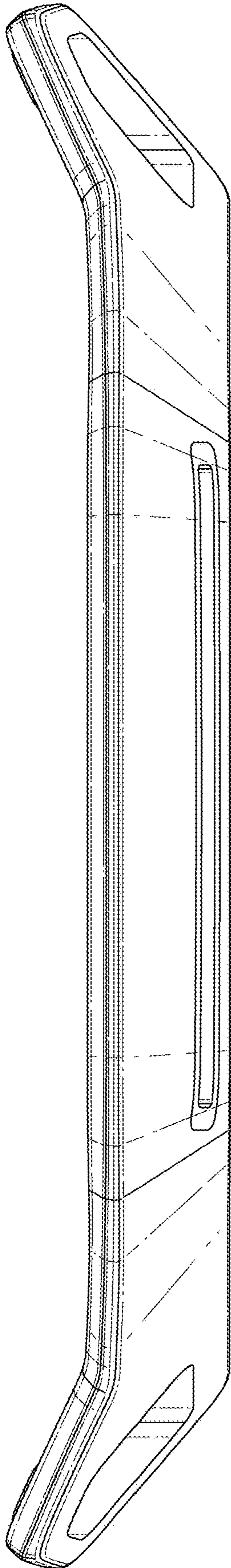


FIG. 3

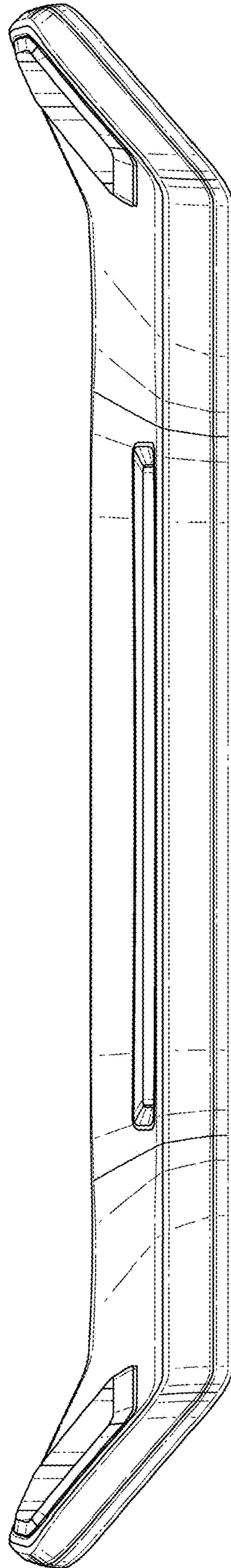


FIG. 4

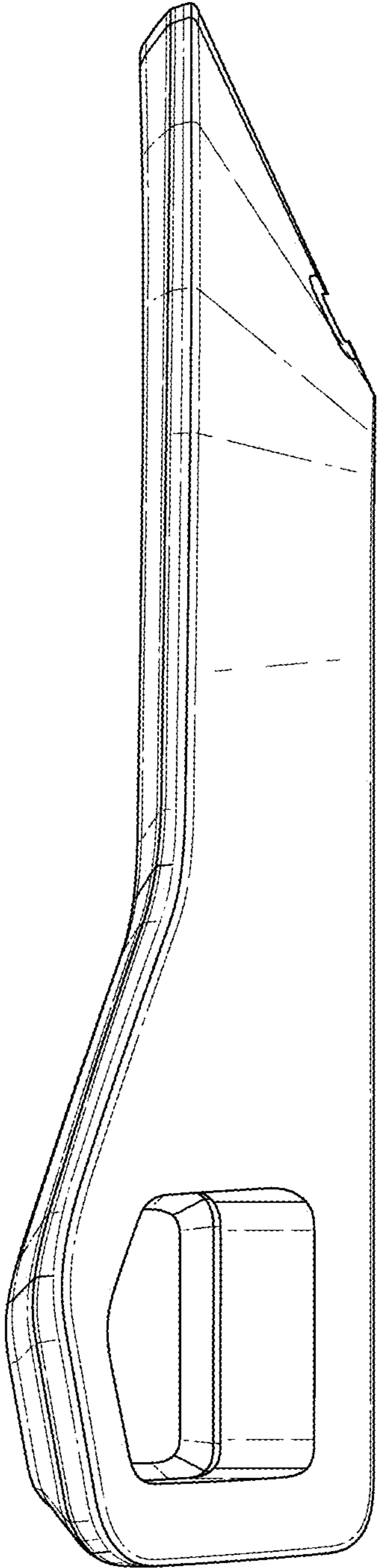


FIG. 5

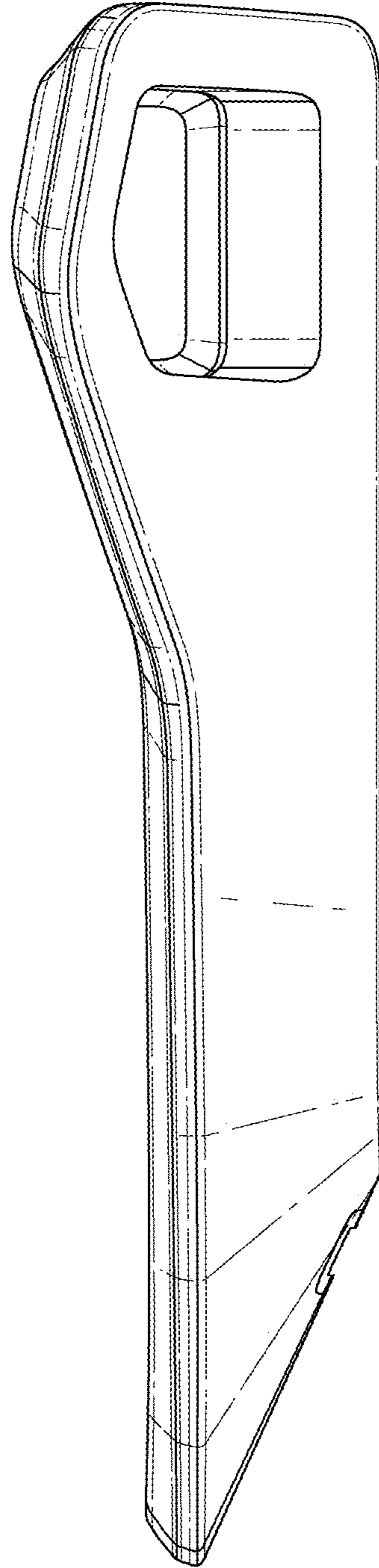


FIG. 6

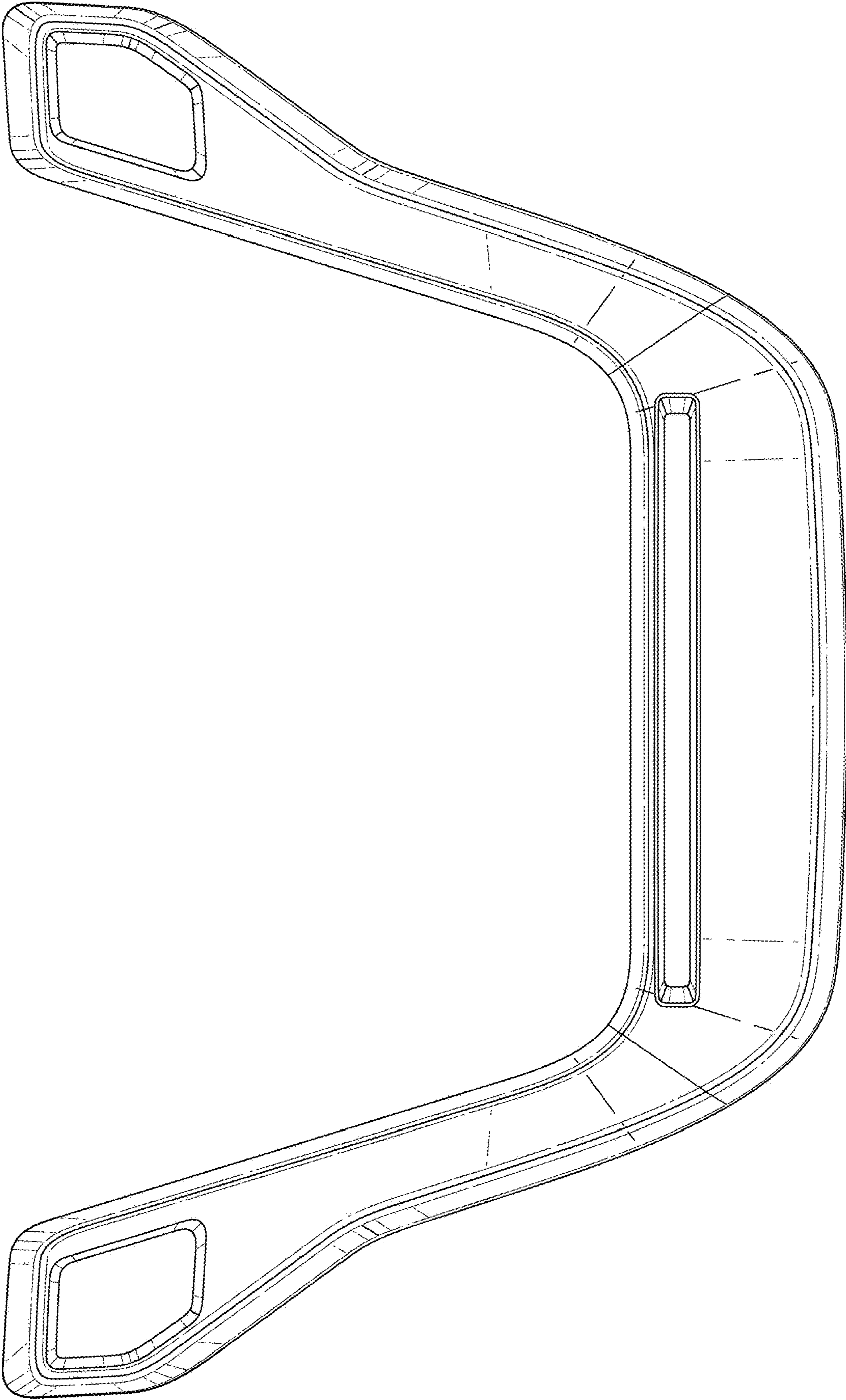


FIG. 7

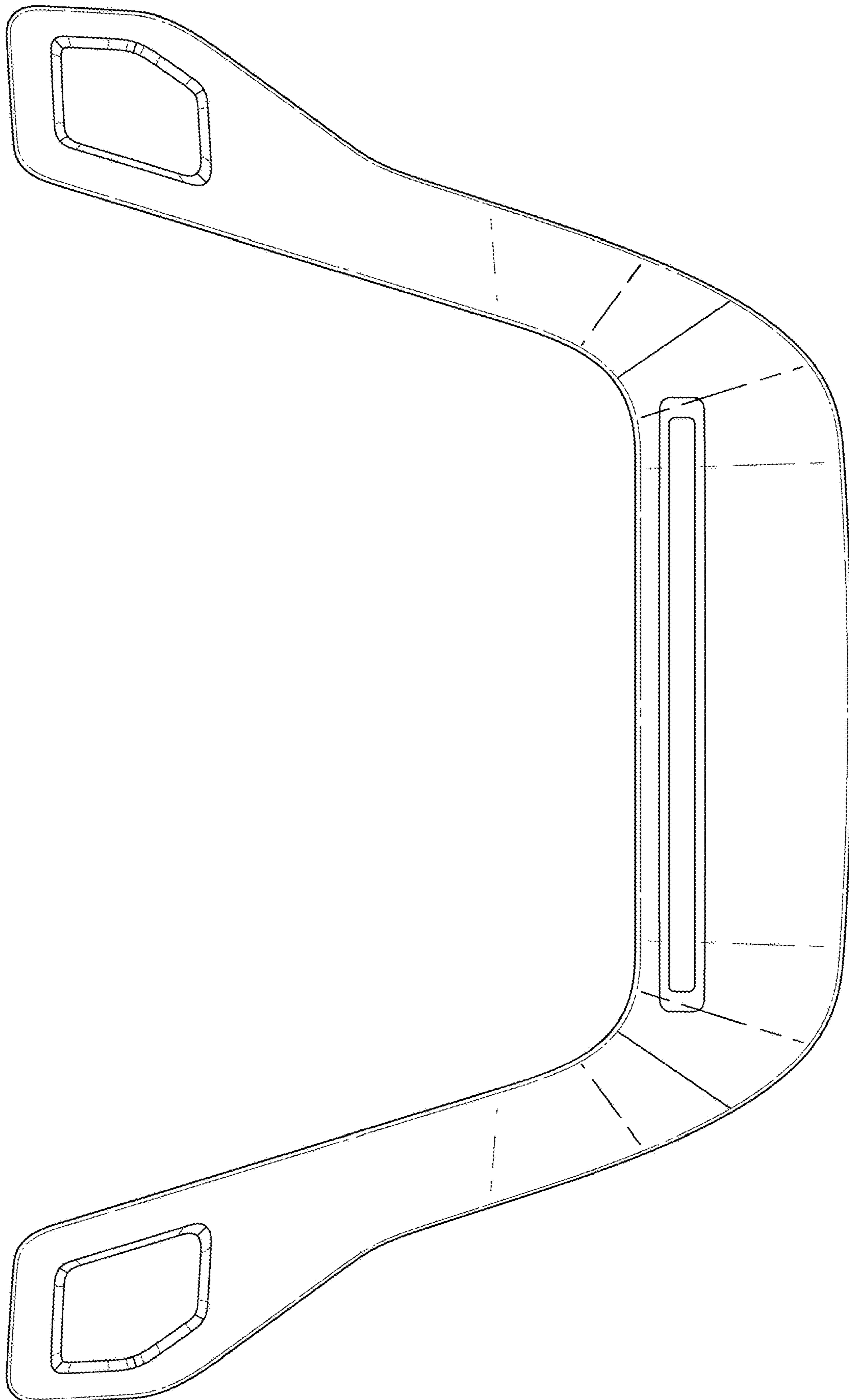


FIG. 8