



US00D934142S

(12) **United States Design Patent** (10) **Patent No.:** **US D934,142 S**  
**Bernardi** (45) **Date of Patent:** **\*\* Oct. 26, 2021**

(54) **FENDER VENT FOR A VEHICLE**  
(71) Applicant: **Jaguar Land Rover Limited**, Coventry (GB)  
(72) Inventor: **Florentin Bernardi**, Coventry (GB)  
(73) Assignee: **JAGUAR LAND ROVER LIMITED**, Whitley Coventry (GB)

(\*\*) Term: **15 Years**  
(21) Appl. No.: **29/720,846**  
(22) Filed: **Jan. 16, 2020**

(30) **Foreign Application Priority Data**  
Jul. 17, 2019 (EM) ..... 006631859  
(51) **LOC (13) Cl.** ..... **12-16**  
(52) **U.S. Cl.**  
USPC ..... **D12/190**  
(58) **Field of Classification Search**  
USPC ... D12/400, 90-92, 196-200, 171, 172, 110, D12/114  
CPC ..... B60R 13/043; B60R 2013/0293; B60R 13/02; B60R 13/04  
See application file for complete search history.

(56) **References Cited**  
U.S. PATENT DOCUMENTS  
D842,767 S \* 3/2019 Hjorten ..... D12/163  
D849,616 S \* 5/2019 Nurnberger ..... D12/190  
D854,474 S \* 7/2019 Grand ..... D12/190  
D869,353 S \* 12/2019 Palovaara ..... D12/163  
D874,368 S \* 2/2020 Smith ..... D12/190  
D874,369 S \* 2/2020 Donfrancesco ..... D12/190

D878,986 S \* 3/2020 Smith ..... D12/181  
D882,472 S \* 4/2020 Goodrich ..... D12/190  
D886,698 S \* 6/2020 Goodrich ..... D12/190  
D894,070 S \* 8/2020 Patel ..... D12/190  
D895,495 S \* 9/2020 Grewer ..... F24F 13/20  
D12/190  
D916,636 S \* 4/2021 Grand ..... B62D 25/24  
D12/190  
2018/0251162 A1\* 9/2018 Overgaard ..... B62D 25/24  
\* cited by examiner

*Primary Examiner* — Katrina A Betton  
(74) *Attorney, Agent, or Firm* — Reising Ethington, P.C.

(57) **CLAIM**  
The ornamental design for a fender vent for a vehicle, as shown and described.

**DESCRIPTION**  
FIG. 1 is a front right elevated perspective view of a fender vent for a vehicle according to the present invention.  
FIG. 2 is a front right perspective view of the fender vent shown in FIG. 1.  
FIG. 3 is a rear left elevated perspective view thereof.  
FIG. 4 is a rear left perspective view thereof.  
FIG. 5 is a front view thereof.  
FIG. 6 is a rear view thereof.  
FIG. 7 is a left side view thereof.  
FIG. 8 is a right side view thereof.  
FIG. 9 is a top view thereof.  
FIG. 10 is a bottom view thereof; and,  
FIG. 11 is another front view thereof, but with the fender vent of FIGS. 1-10 shown mounted on an unclaimed vehicle that is shown in broken lines, and which forms no part of the claimed design. Rather, the broken lines that surround the fender vent serve as an unclaimed boundary.

**1 Claim, 9 Drawing Sheets**

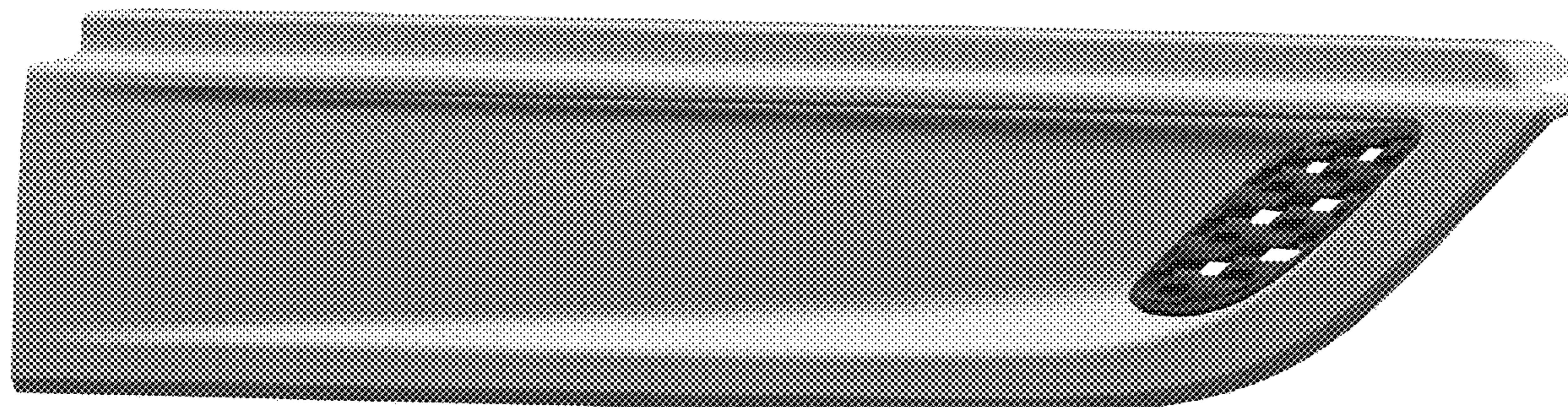




FIG. 1

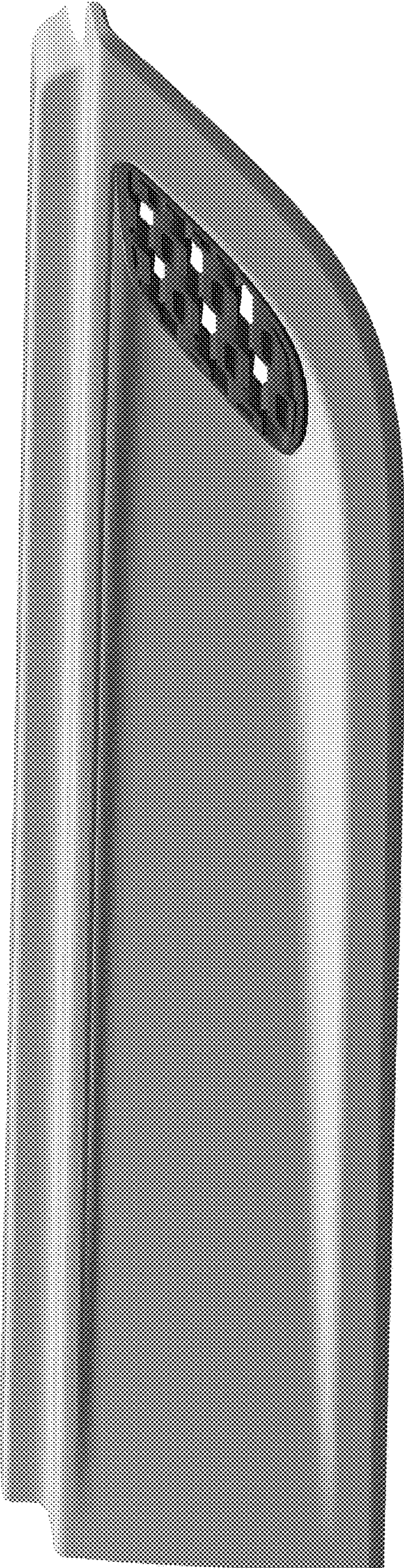


FIG. 2

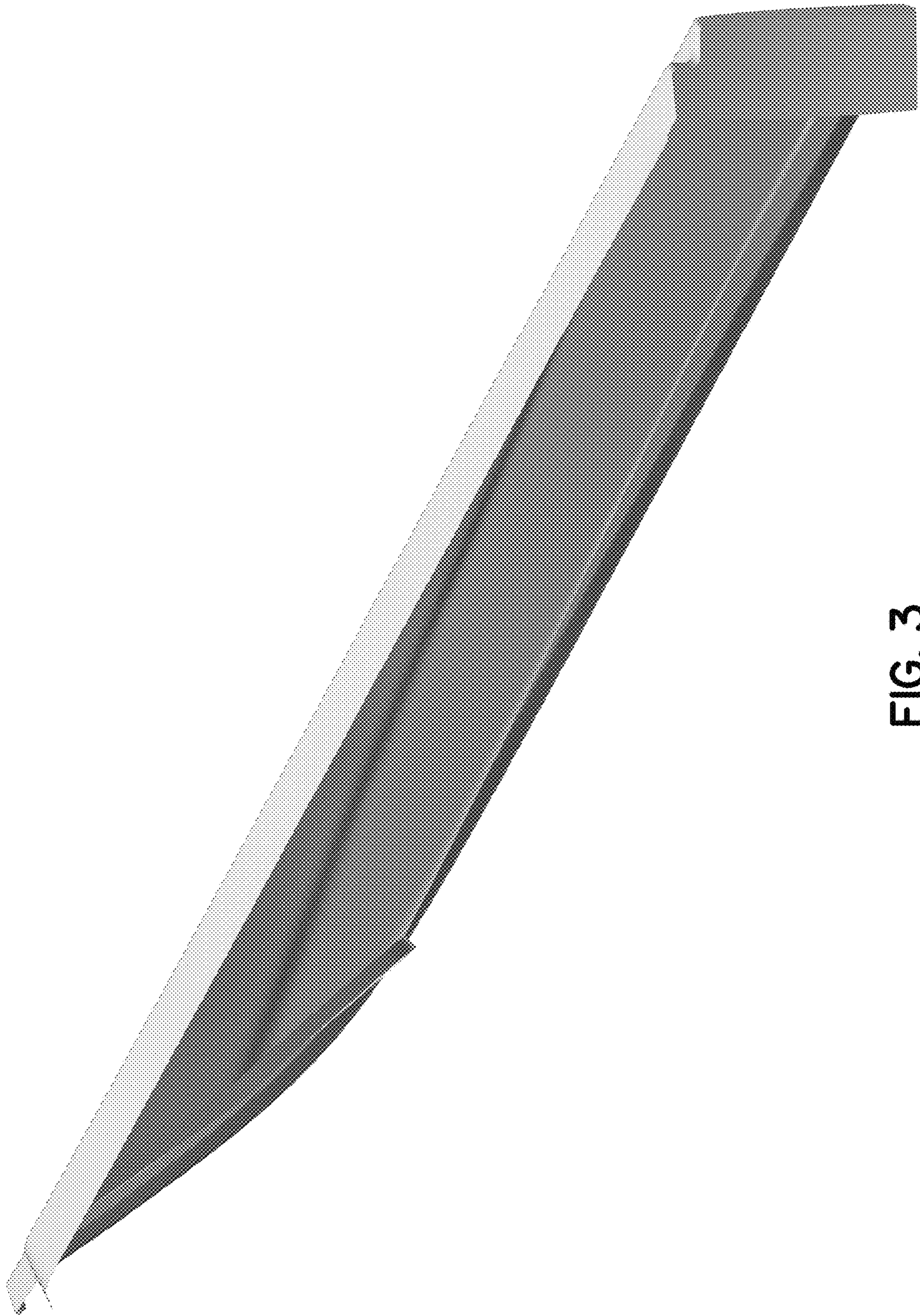


FIG. 3

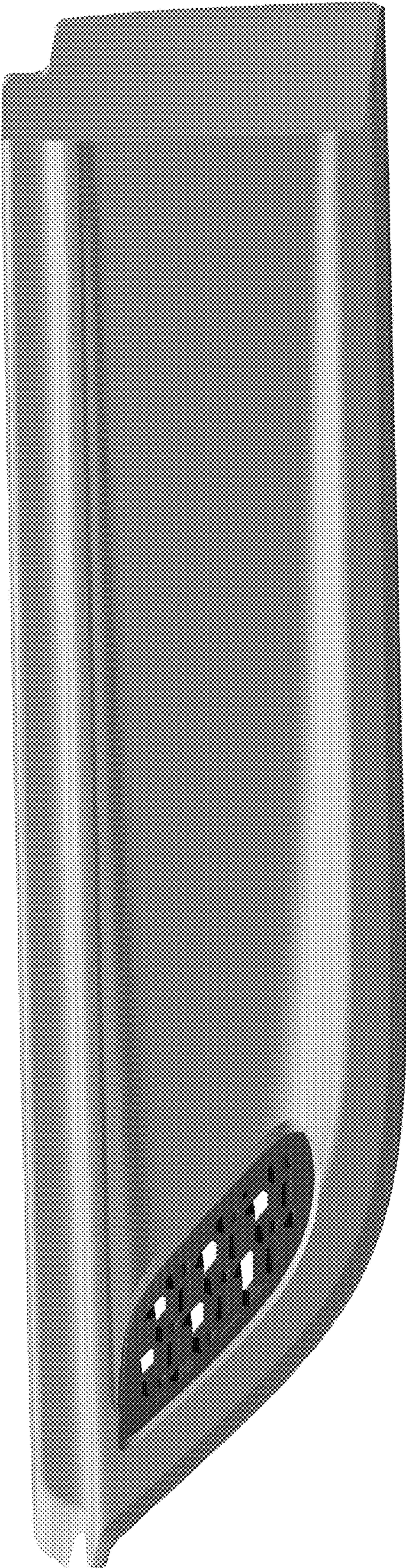


FIG. 4

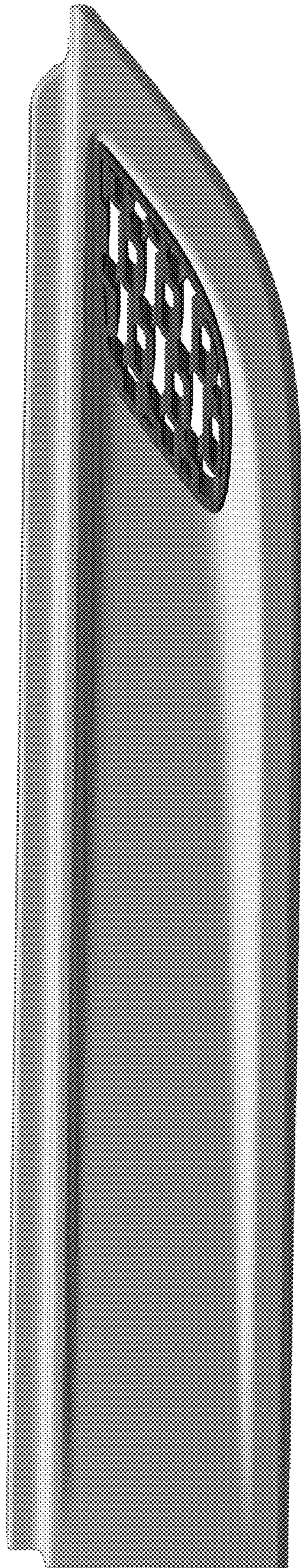


FIG. 5

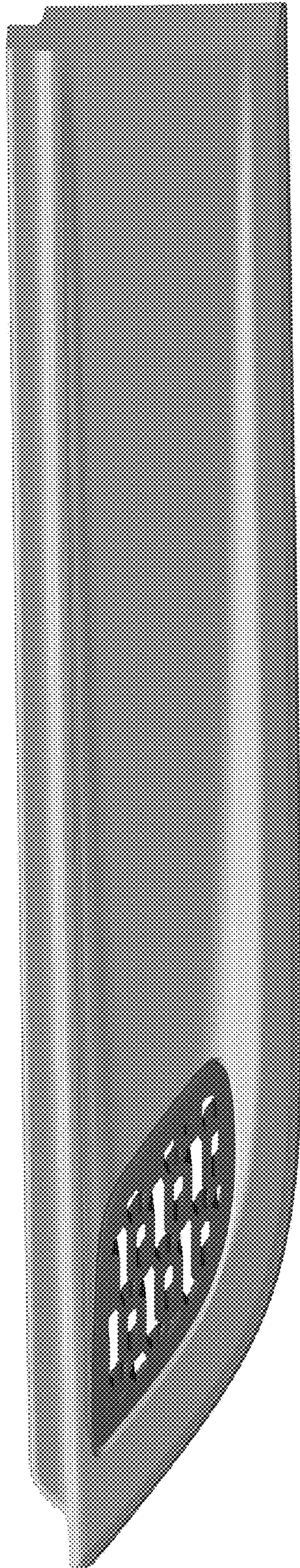


FIG. 6

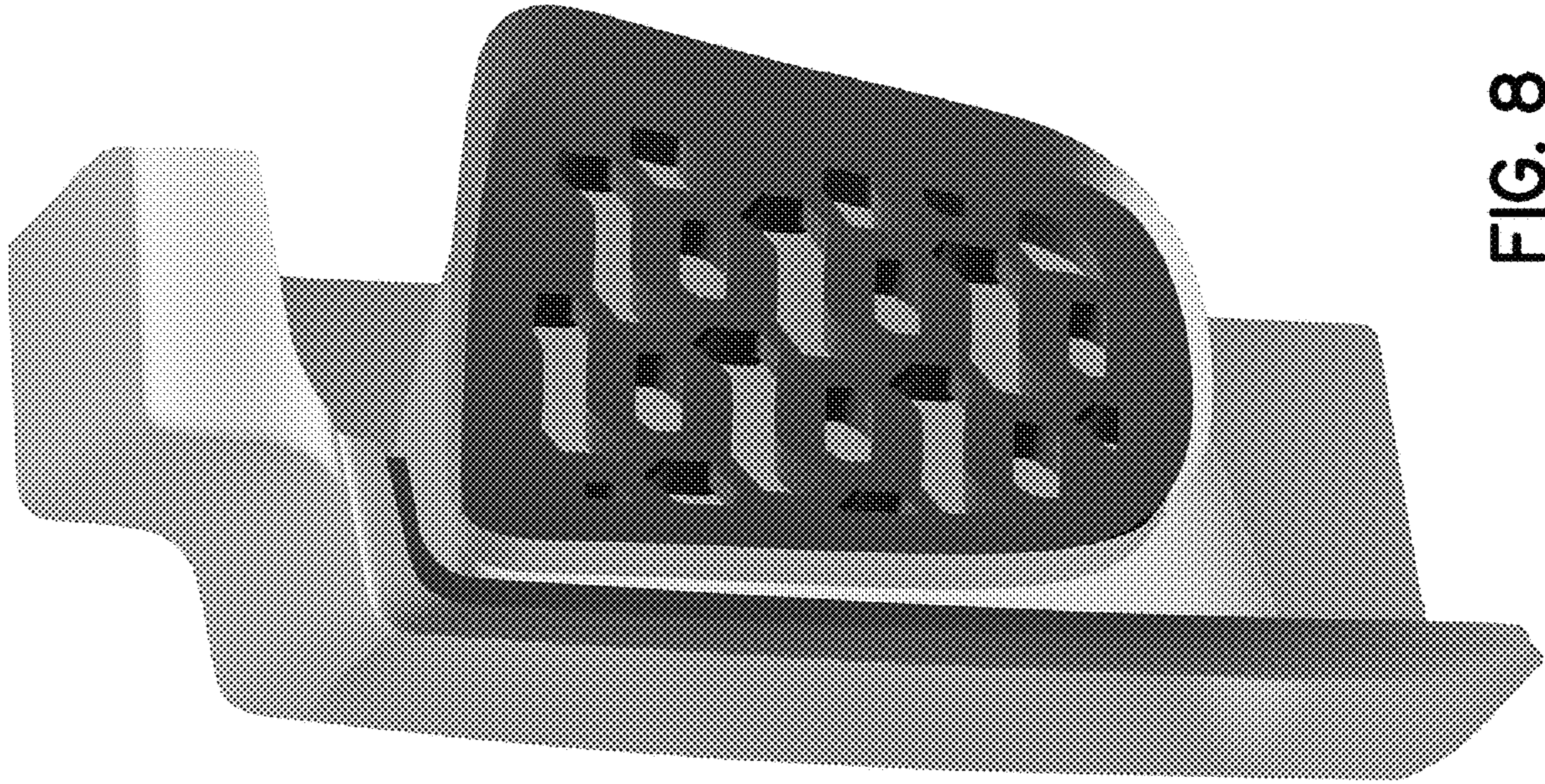


FIG. 8

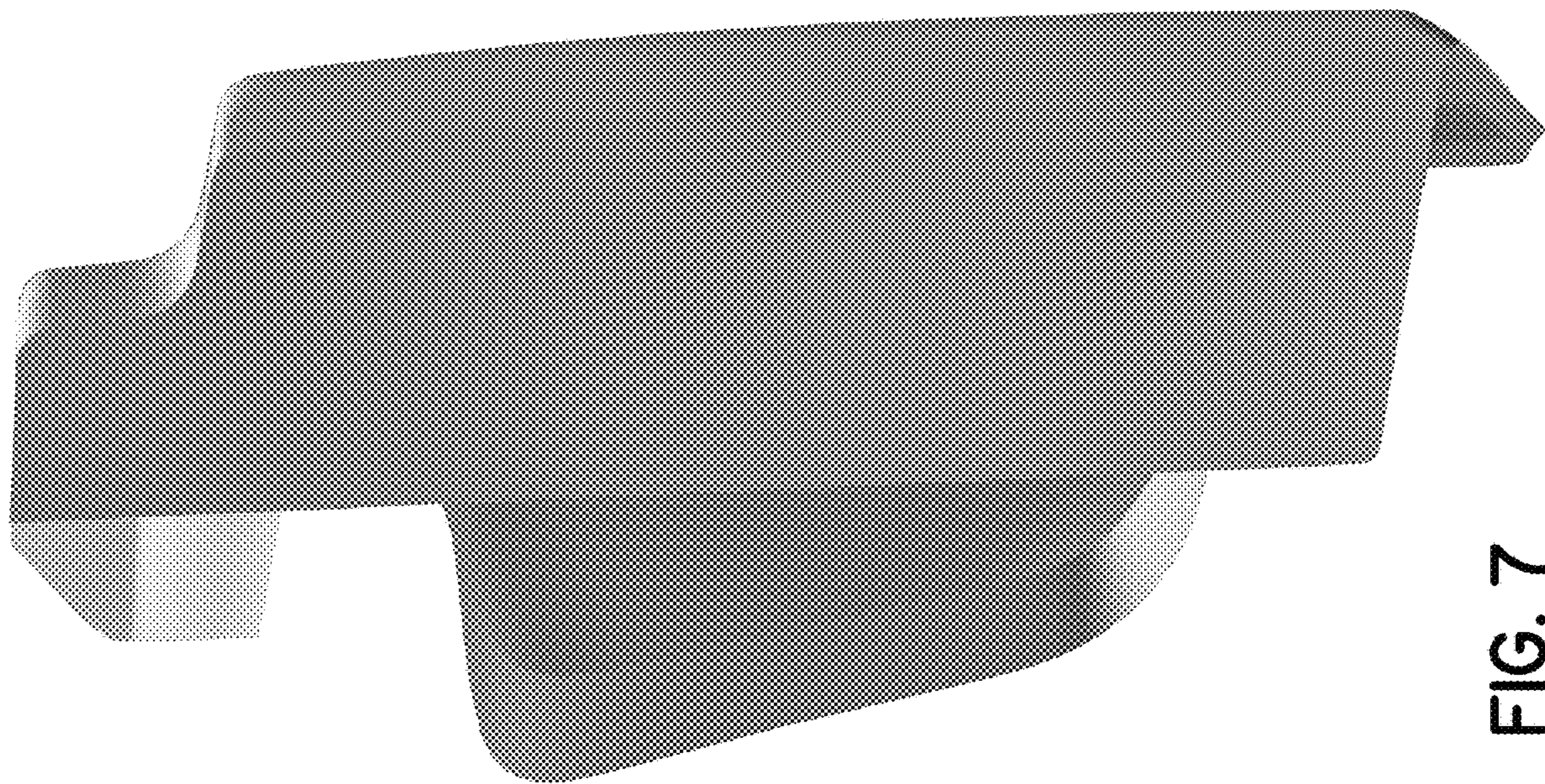


FIG. 7



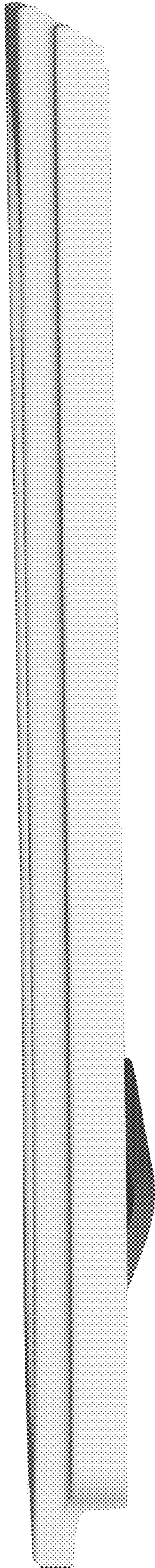


FIG. 9

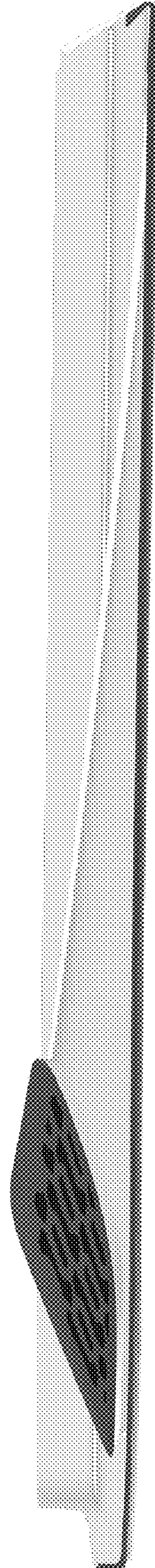


FIG. 10

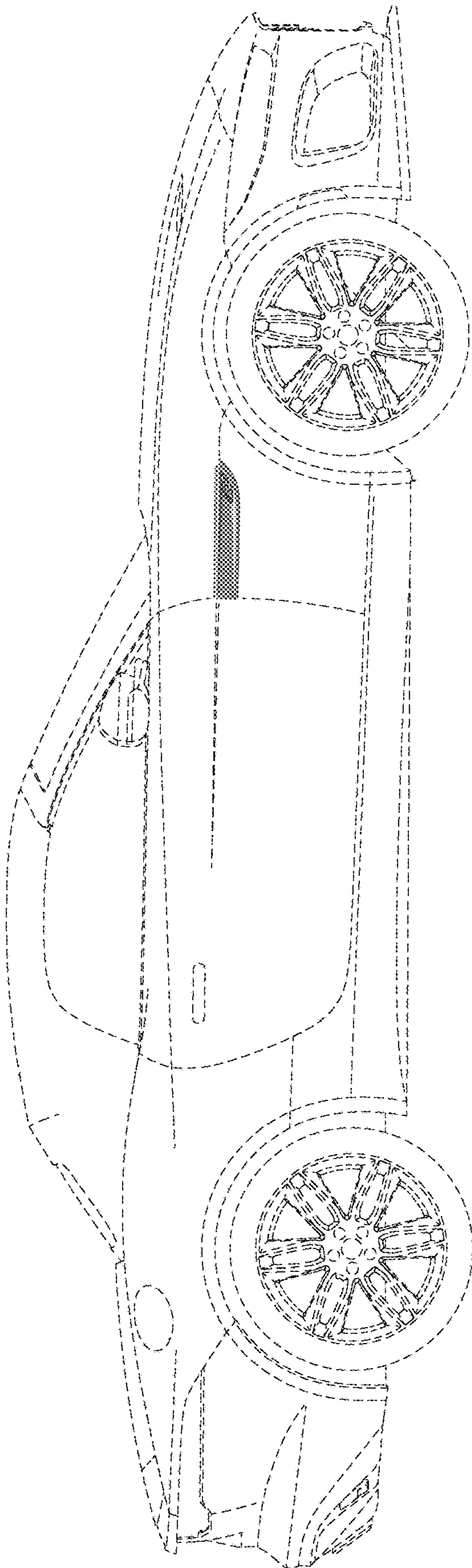


FIG. 11