



US00D934141S

(12) **United States Design Patent** (10) **Patent No.:** **US D934,141 S**  
**Dvorak et al.** (45) **Date of Patent:** **\*\* Oct. 26, 2021**

(54) **COVER PLATE** 9,140,324 B2 \* 9/2015 Boonpongmanee ..... F16D 25/0638  
(71) Applicant: **DANFOSS POWER SOLUTIONS** D747,245 S \* 1/2016 Nosworthy ..... D12/180  
**INC., Ames, IA (US)** D782,945 S \* 4/2017 Stuckey ..... D12/180  
D791,841 S \* 7/2017 Obuchi ..... D15/7  
(72) Inventors: **Charlie Dvorak**, Nordborg (DK); 9,719,513 B2 \* 8/2017 Geue ..... F04C 29/066  
**Wondimagegn Diress**, Nordborg (DK); D834,475 S \* 11/2018 Rode ..... D12/180  
**Pavol Balco**, Nordborg (DK); **Jeffrey** D839,155 S \* 1/2019 McDougall ..... D12/180  
**C. Hansell**, Nordborg (DK) D890,212 S \* 7/2020 Green ..... D15/7  
D911,881 S \* 3/2021 Lindloff ..... B62J 25/00  
D12/126  
(\*\*) Term: **15 Years** 2009/0211856 A1 \* 8/2009 Sollenskog ..... F16D 65/12  
188/18 A

(21) Appl. No.: **29/716,522**

FOREIGN PATENT DOCUMENTS

(22) Filed: **Dec. 10, 2019**

CN 106460938 A 2/2017

**Related U.S. Application Data**

OTHER PUBLICATIONS

(63) Continuation of application No. 16/705,972, filed on Dec. 6, 2019.

CN106460938A—English Translation.

(51) **LOC (13) Cl.** ..... **12-16**

\* cited by examiner

(52) **U.S. Cl.**  
USPC ..... **D12/180**

*Primary Examiner* — Darlington Ly

(58) **Field of Classification Search**  
USPC ..... D12/14, 106, 114, 118, 122, 160, 161,  
D12/162, 179, 180, 207, 217, 400;  
D15/7

(74) *Attorney, Agent, or Firm* — Zarley Law Firm, P.L.C.

CPC ..... F16D 65/128; F16D 65/12; F16D 65/123;  
F16D 65/127; F16D 65/186; F16D  
65/853; F16D 2065/1328; F16D 25/0638;  
F16C 19/386

(57) **CLAIM**

The ornamental design for a cover plate, as shown and described.

See application file for complete search history.

**DESCRIPTION**

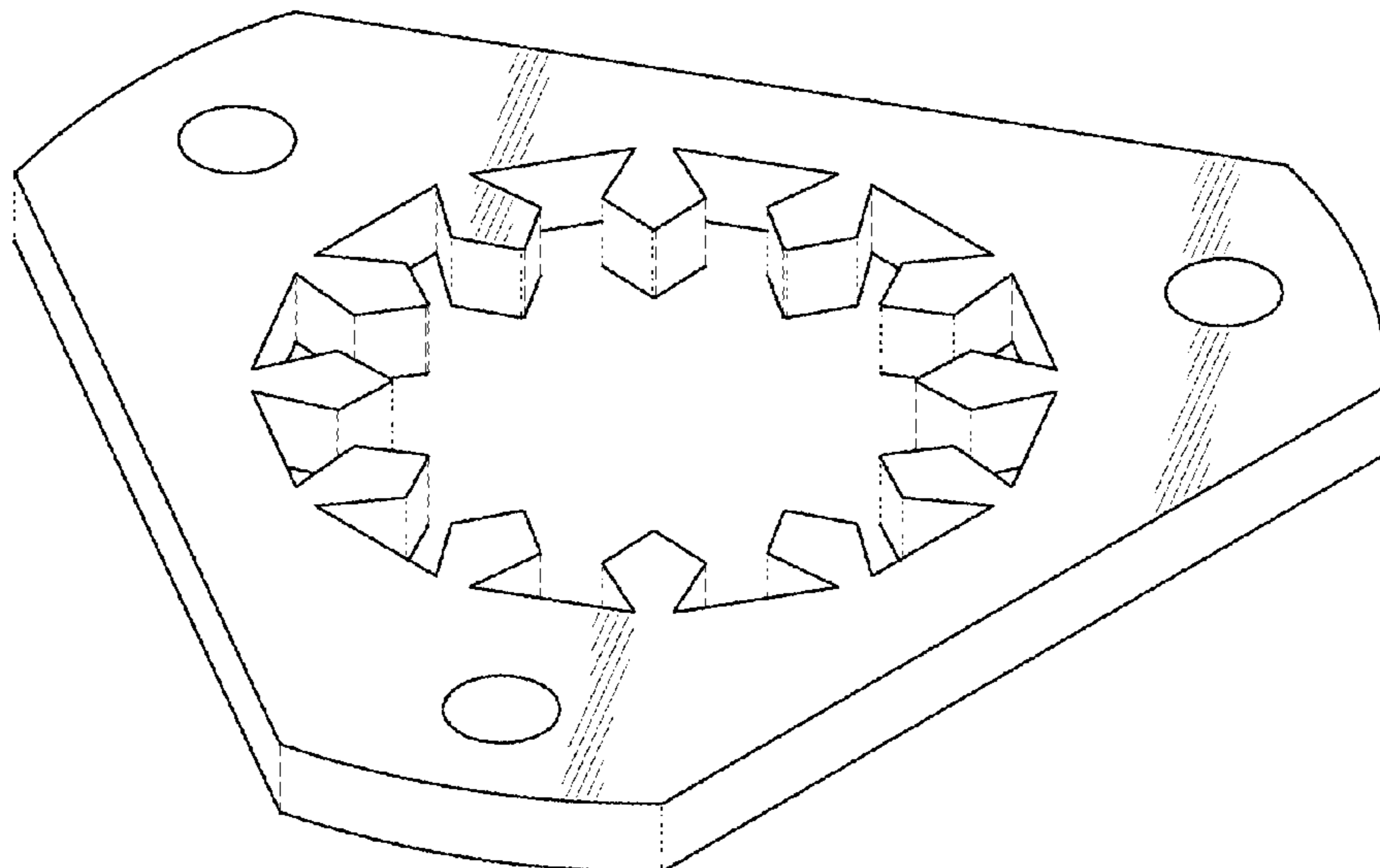
(56) **References Cited**

FIG. 1 is a top perspective view of a cover plate embodying our new design;  
FIG. 2 is a front elevation view thereof;  
FIG. 3 is a rear elevation view thereof;  
FIG. 4 is a right side elevation view thereof;  
FIG. 5 is a left side elevation view thereof;  
FIG. 6 is a top plan view thereof; and,  
FIG. 7 is a bottom plan view thereof.  
The broken lines in the drawings illustrate portions of the cover plate that form no part of the claimed design.

U.S. PATENT DOCUMENTS

D367,023 S \* 2/1996 Benson ..... D12/126  
6,409,390 B1 6/2002 Bouzakis et al.  
D600,720 S \* 9/2009 Iwanicki ..... D15/5  
D605,998 S \* 12/2009 McEwen ..... D12/207  
8,794,414 B2 \* 8/2014 Culmer ..... F16D 65/186  
192/70.12

**1 Claim, 7 Drawing Sheets**



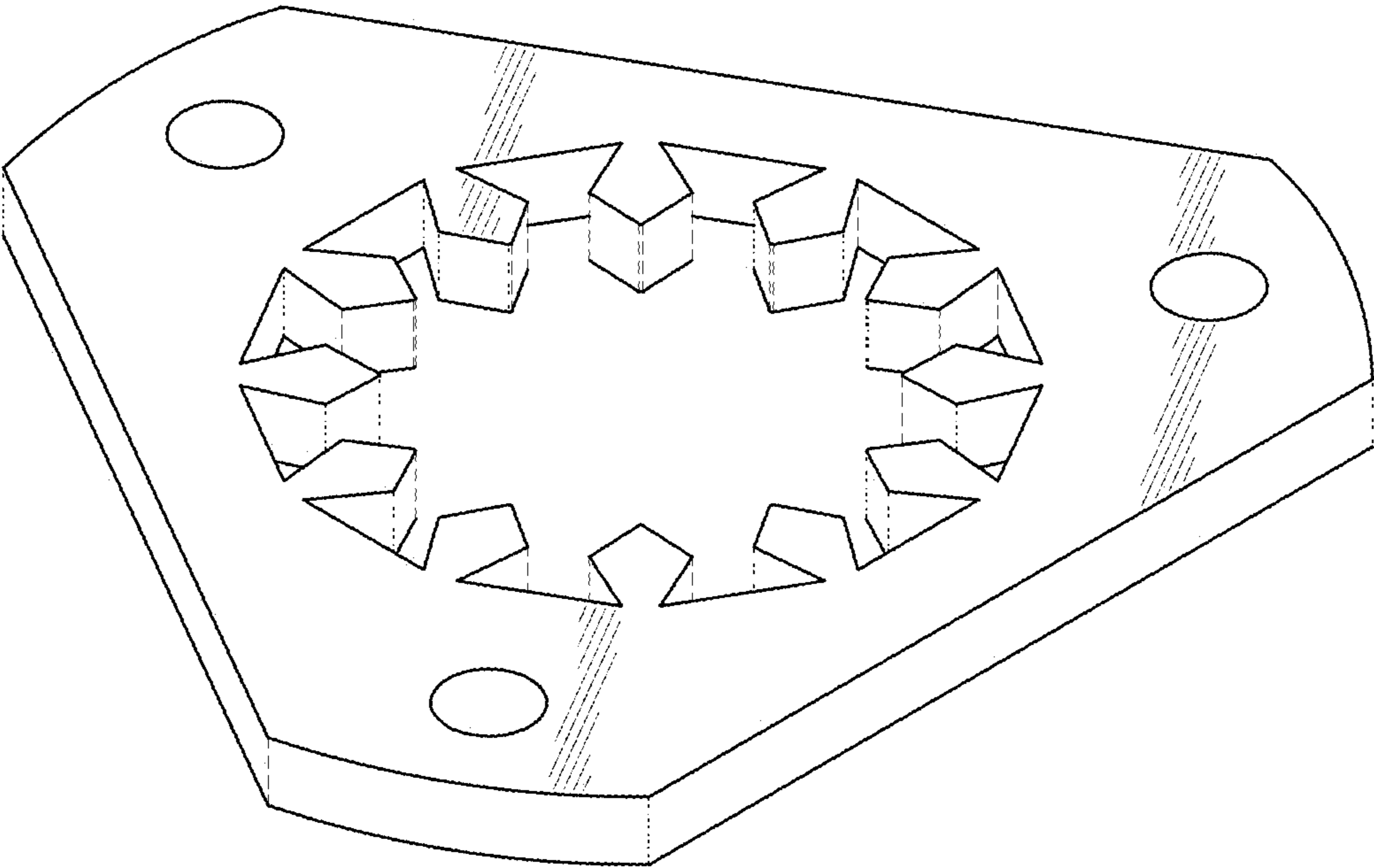


FIG. 1



FIG. 2



FIG. 3



FIG. 4



FIG. 5

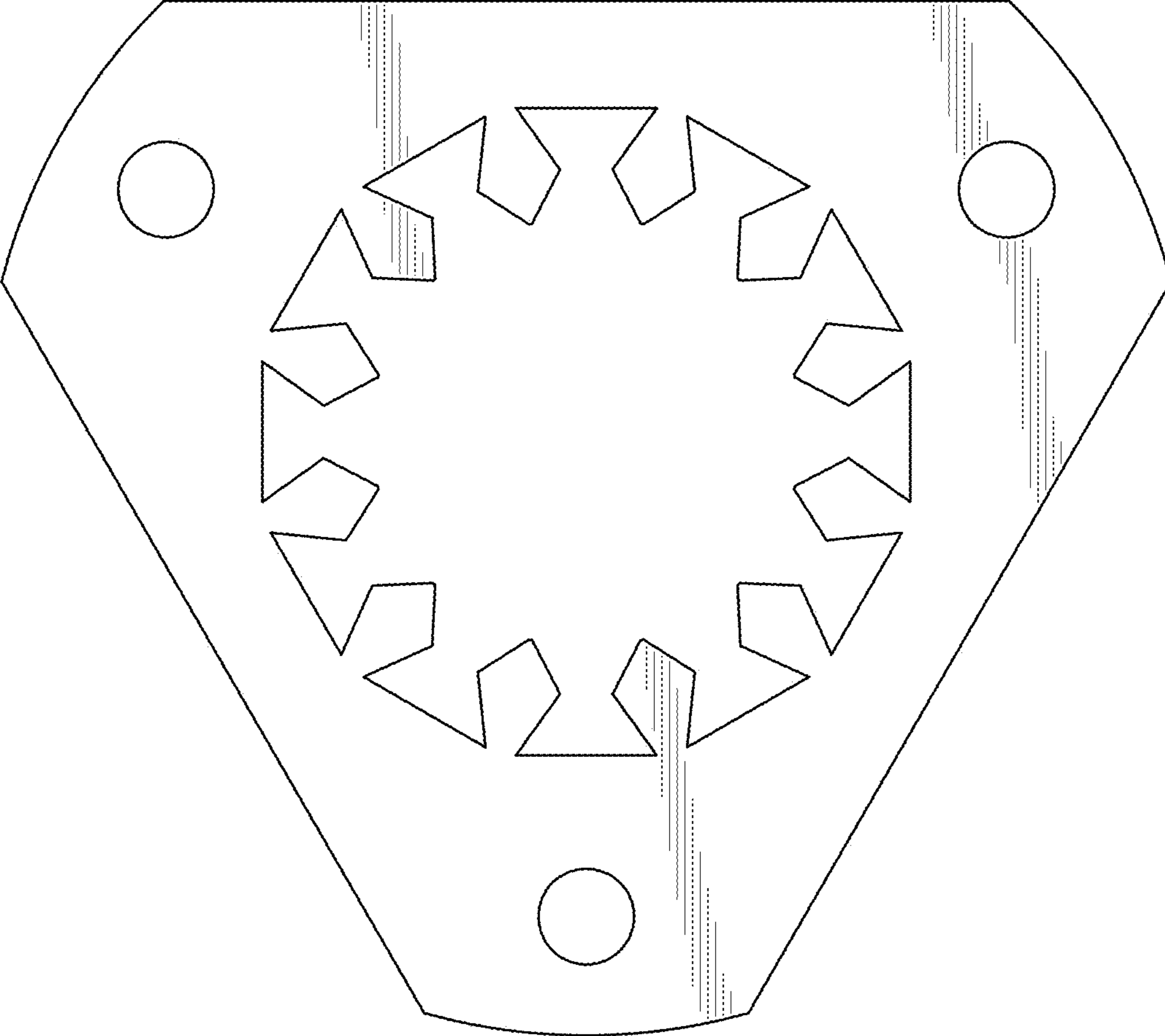


FIG. 6

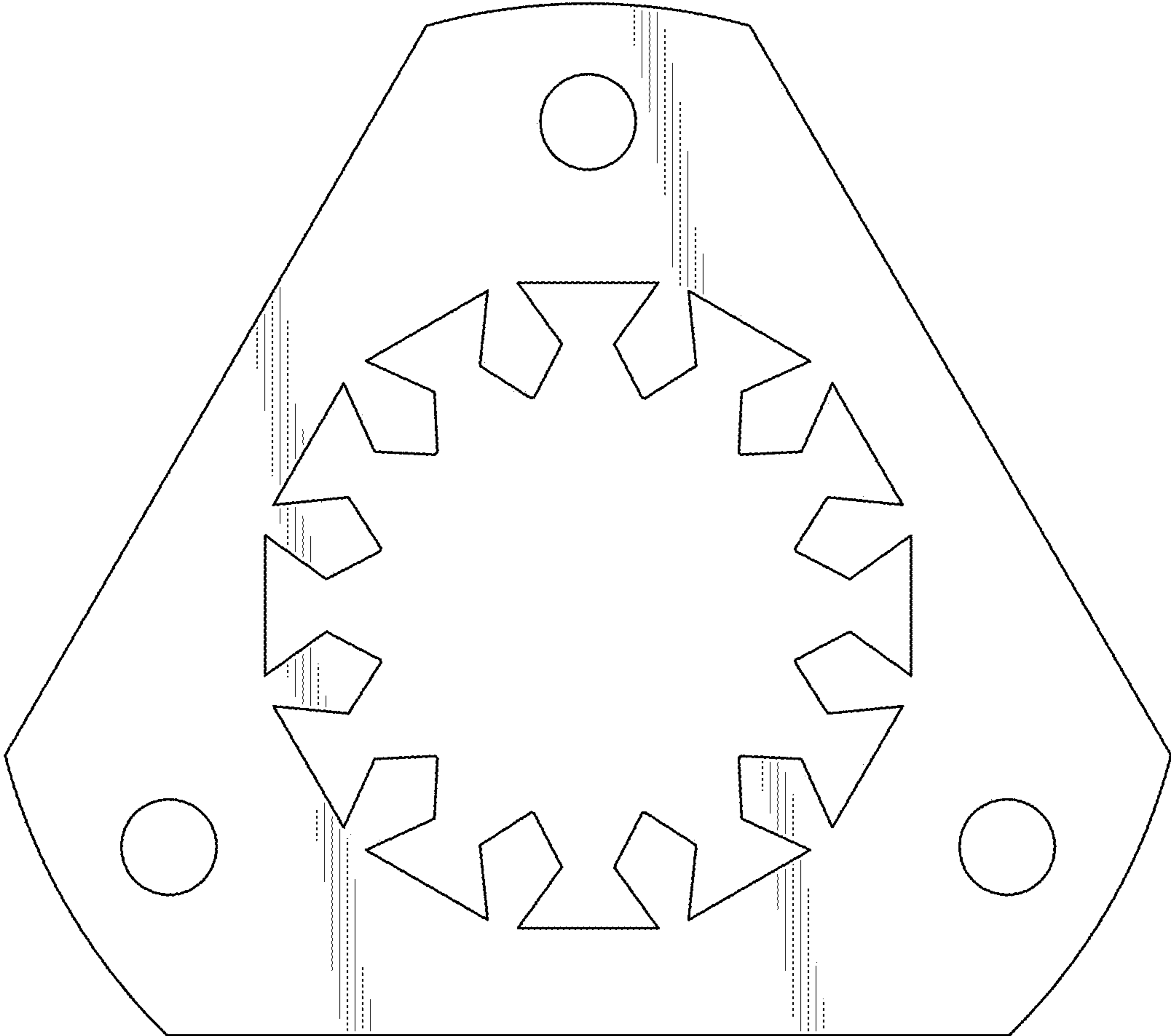


FIG. 7