



US00D934134S

(12) **United States Design Patent** (10) **Patent No.:** **US D934,134 S**  
**Giumentaro** (45) **Date of Patent:** **\*\* Oct. 26, 2021**

(54) **VEHICLE BUMPER UNIT**  
(71) Applicant: **VOLKSWAGEN AKTIENGESELLSCHAFT, Wolfsburg (DE)**  
(72) Inventor: **Marco Giumentaro, Wolfsburg (DE)**  
(73) Assignee: **VOLKSWAGEN AKTIENGESELLSCHAFT, Wolfsburg (DE)**  
(\*\*) Term: **15 Years**

D843,277 S \* 3/2019 Ojea ..... D12/169  
D845,850 S \* 4/2019 Kang ..... D12/169  
D847,045 S \* 4/2019 Whitla ..... D12/169  
D860,074 S \* 9/2019 Beckles ..... D12/169  
D875,625 S \* 2/2020 Wheel ..... D12/169  
D876,279 S \* 2/2020 Mayer ..... D12/91  
D878,257 S \* 3/2020 Iida ..... D12/169  
D887,325 S \* 6/2020 Kezha ..... D12/169  
D904,249 S \* 12/2020 Bischoff ..... D12/169  
D904,250 S \* 12/2020 Wheel ..... D12/169  
D906,175 S \* 12/2020 Mayer ..... D12/91  
D909,930 S \* 2/2021 Patel ..... D12/169  
D913,875 S \* 3/2021 Bischoff ..... D12/169  
D913,876 S \* 3/2021 Bischoff ..... D12/169

(21) Appl. No.: **29/752,174**  
(22) Filed: **Sep. 25, 2020**  
(30) **Foreign Application Priority Data**  
Jun. 17, 2020 (WO) ..... WIPO95505  
(51) **LOC (13) Cl.** ..... **12-16**  
(52) **U.S. Cl.**  
USPC ..... **D12/169**  
(58) **Field of Classification Search**  
USPC ..... D12/169, 163, 196, 86, 90-92;  
296/180.1, 180.2; 293/102, 113, 115,  
293/117, 120  
CPC .... B60R 19/52; B60R 2019/25; B62D 25/084  
See application file for complete search history.

**FOREIGN PATENT DOCUMENTS**

DE DM206352 2/2020

\* cited by examiner

*Primary Examiner* — Melody N Brown

(74) *Attorney, Agent, or Firm* — Lucas & Mercanti, LLP; Klaus P. Stoffel

(57) **CLAIM**

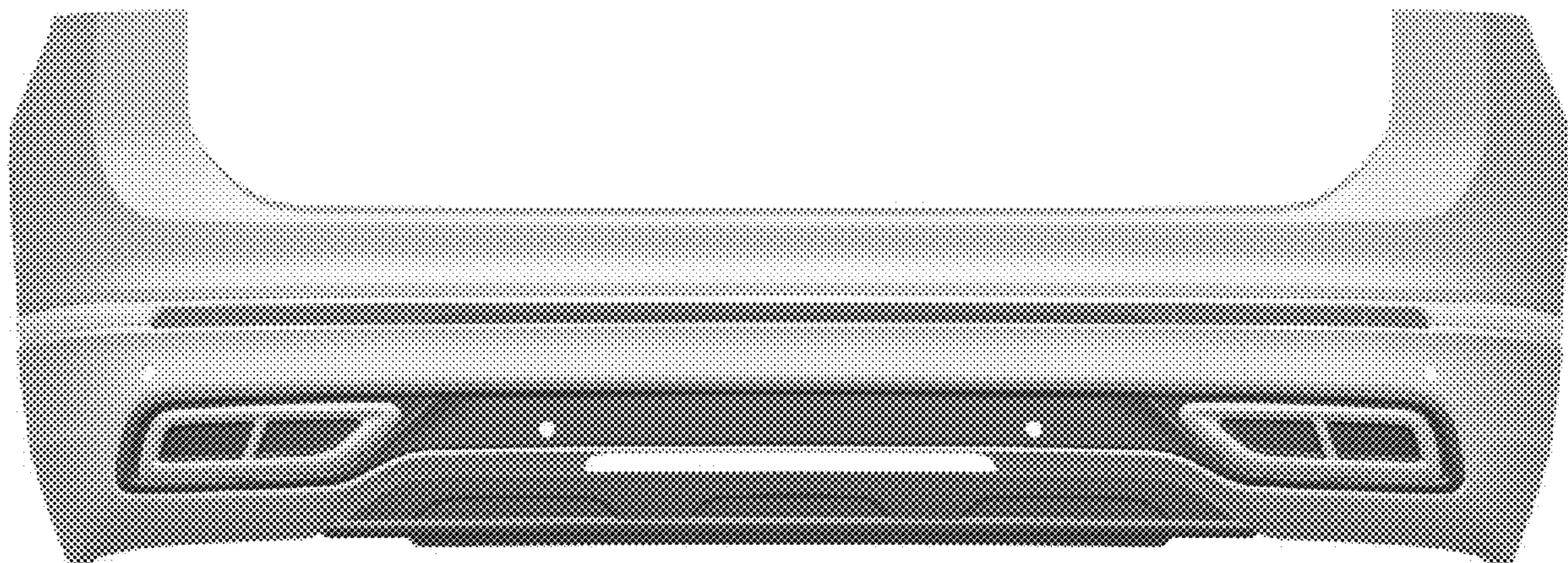
The ornamental design for a vehicle bumper unit, as shown and described.

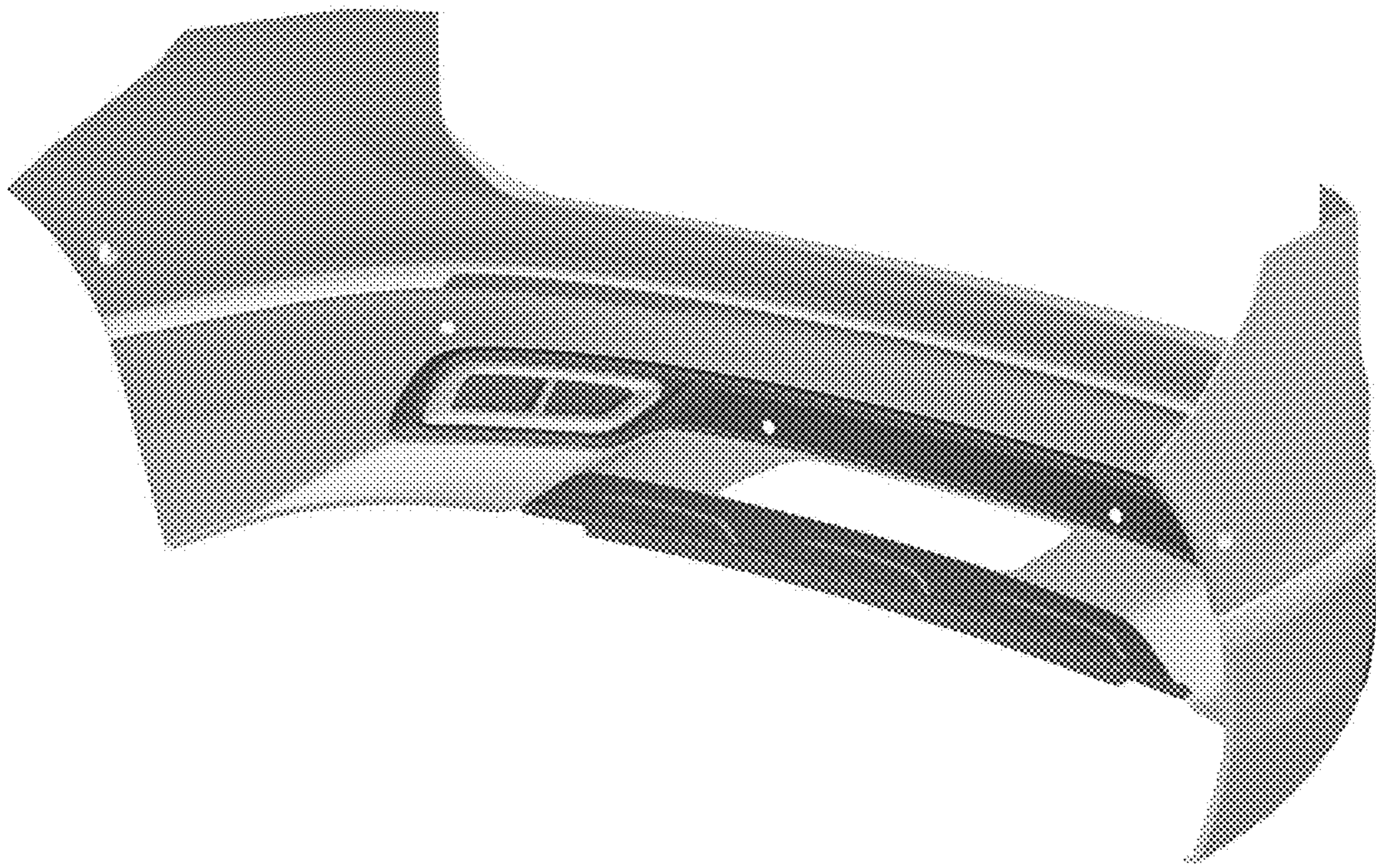
**DESCRIPTION**

FIG. 1 is a rear and left side perspective view of a vehicle bumper unit showing my new design;  
FIG. 2 is a front and right side perspective view thereof;  
FIG. 3 is a front view thereof;  
FIG. 4 is a rear view thereof;  
FIG. 5 is a left side view thereof;  
FIG. 6 is a right side view thereof;  
FIG. 7 is a bottom view thereof; and,  
FIG. 8 is a top view thereof.

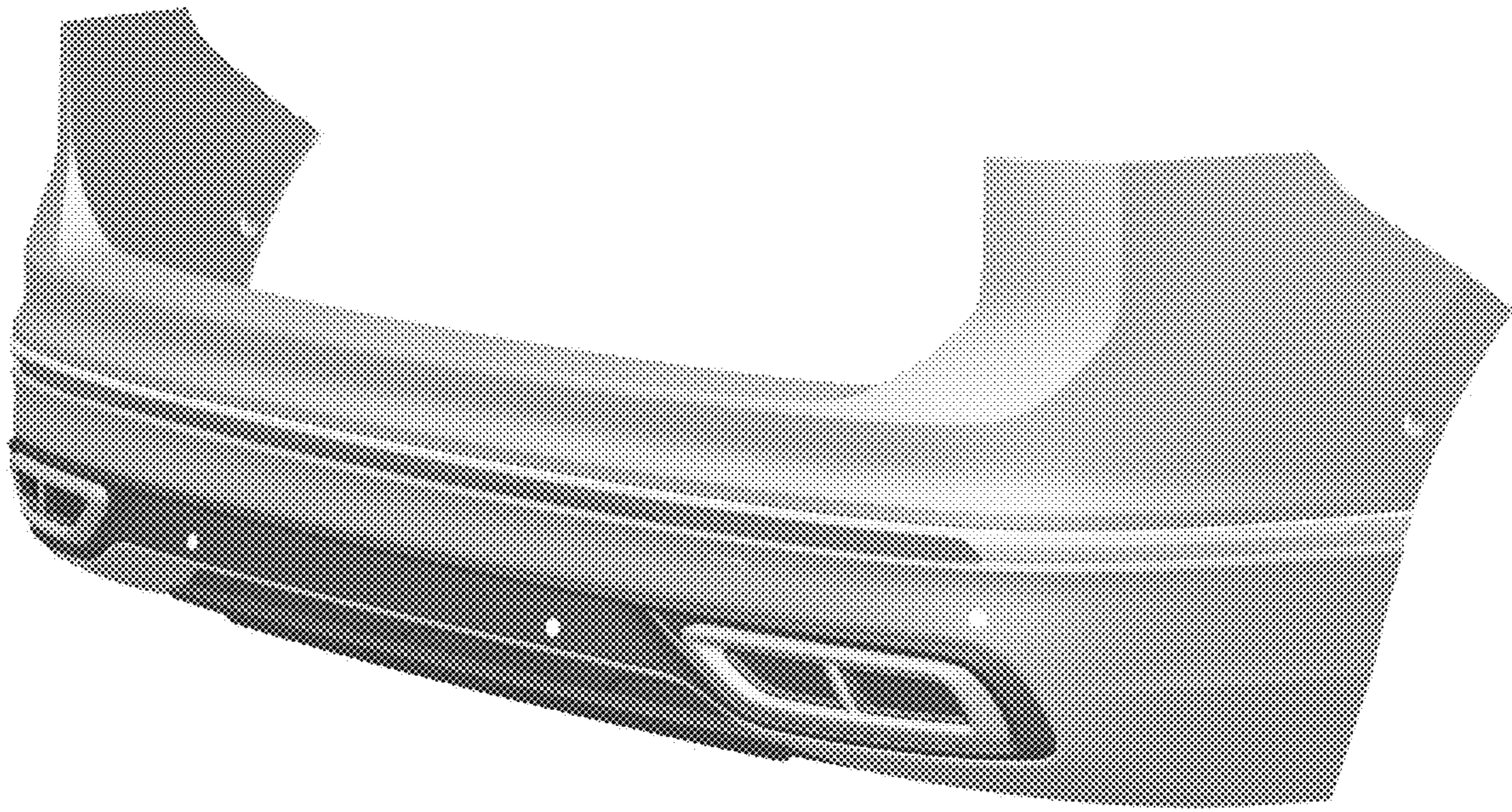
**1 Claim, 8 Drawing Sheets**

(56) **References Cited**  
U.S. PATENT DOCUMENTS  
D814,985 S \* 4/2018 Peat ..... D12/169  
D820,739 S \* 6/2018 Suga ..... D12/169  
D824,300 S \* 7/2018 Badstuebner ..... D12/169  
D841,535 S \* 2/2019 Buckingham ..... D12/169  
D841,536 S \* 2/2019 Ojea ..... D12/169

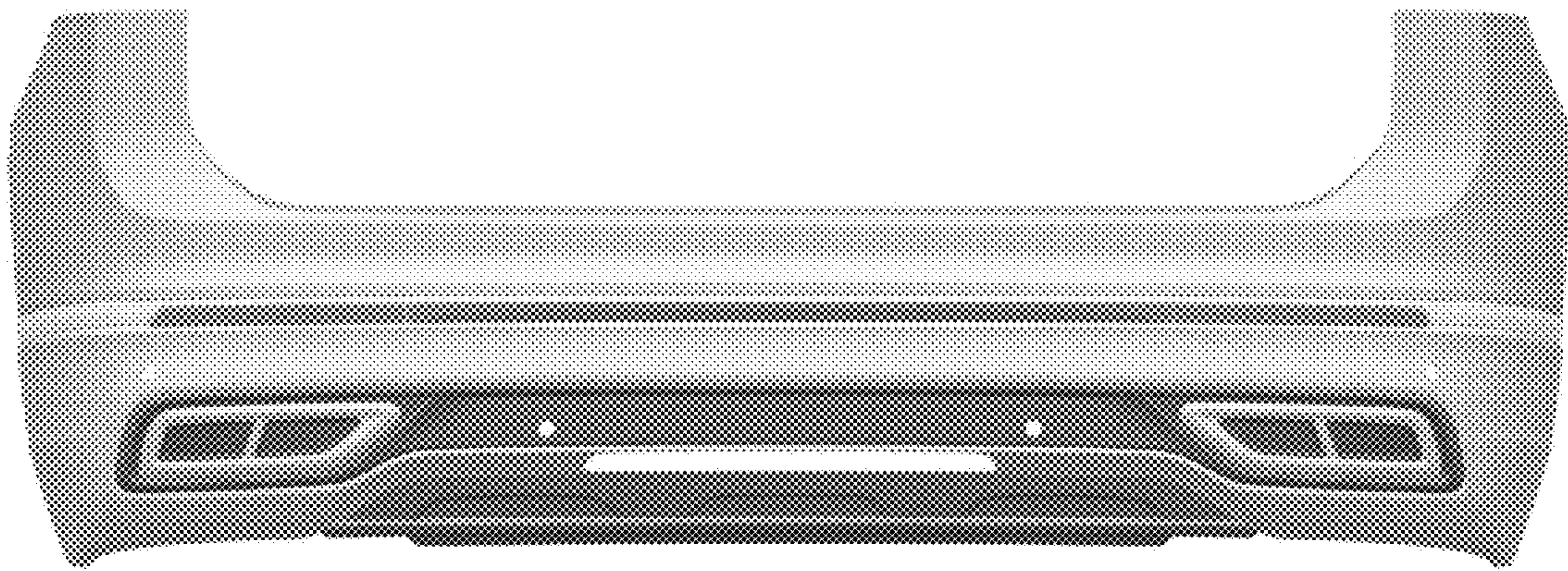




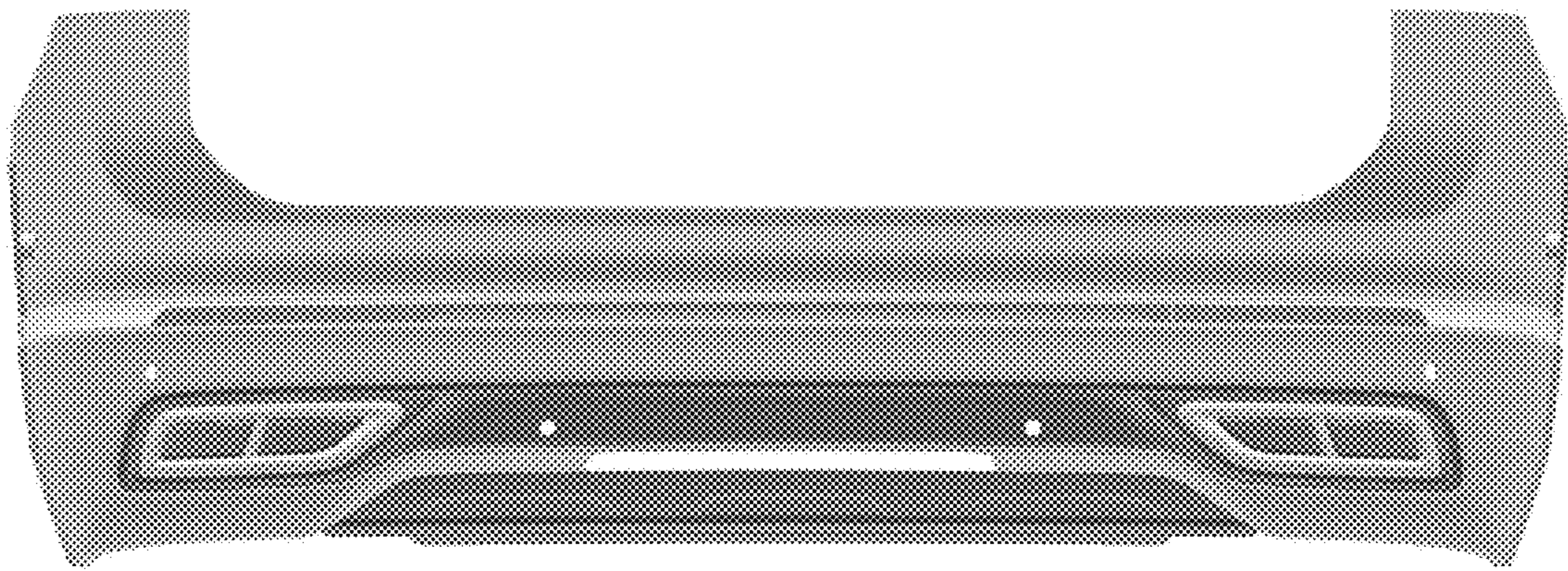
**Fig. 1**



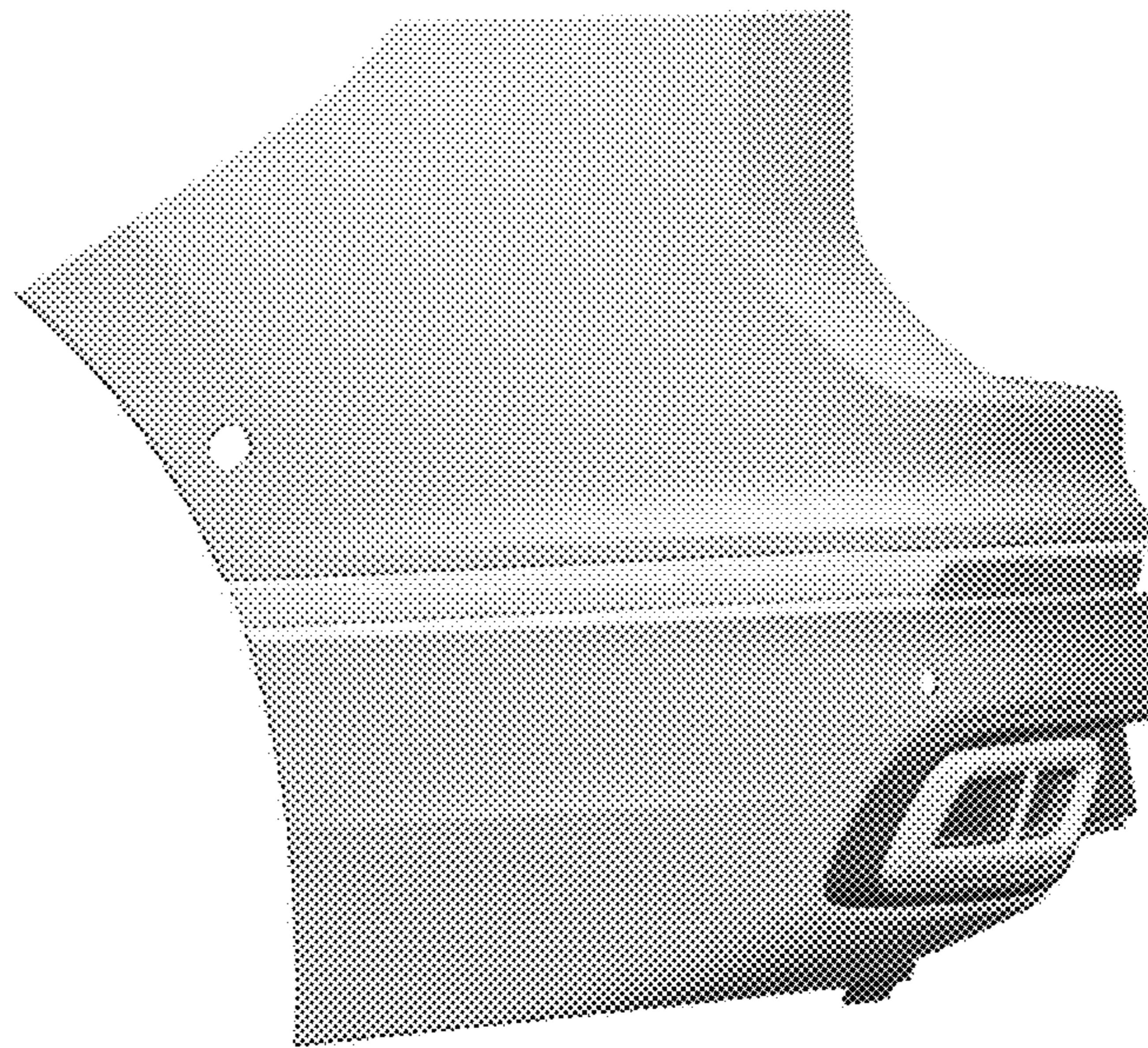
**Fig. 2**



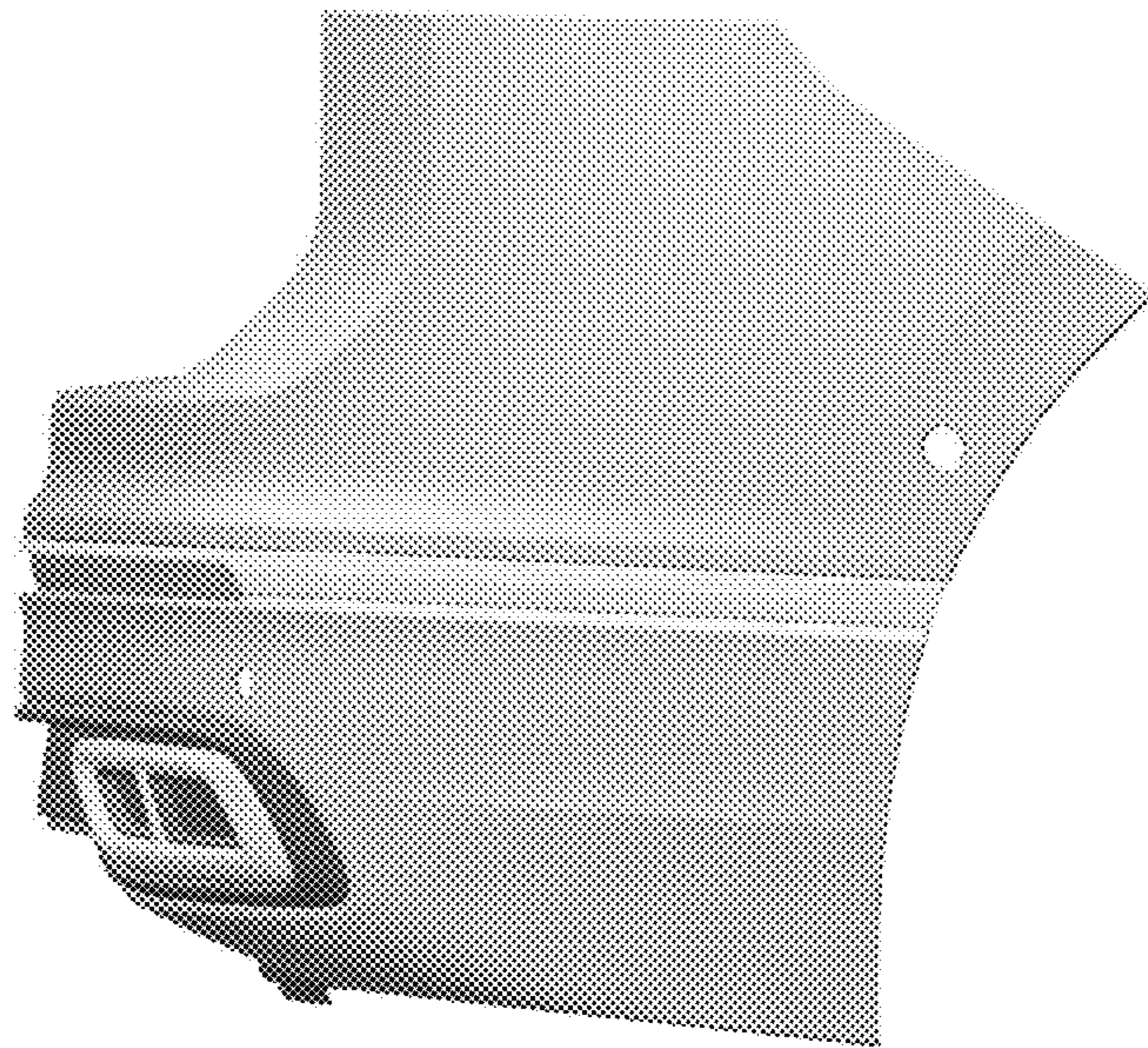
**Fig. 3**



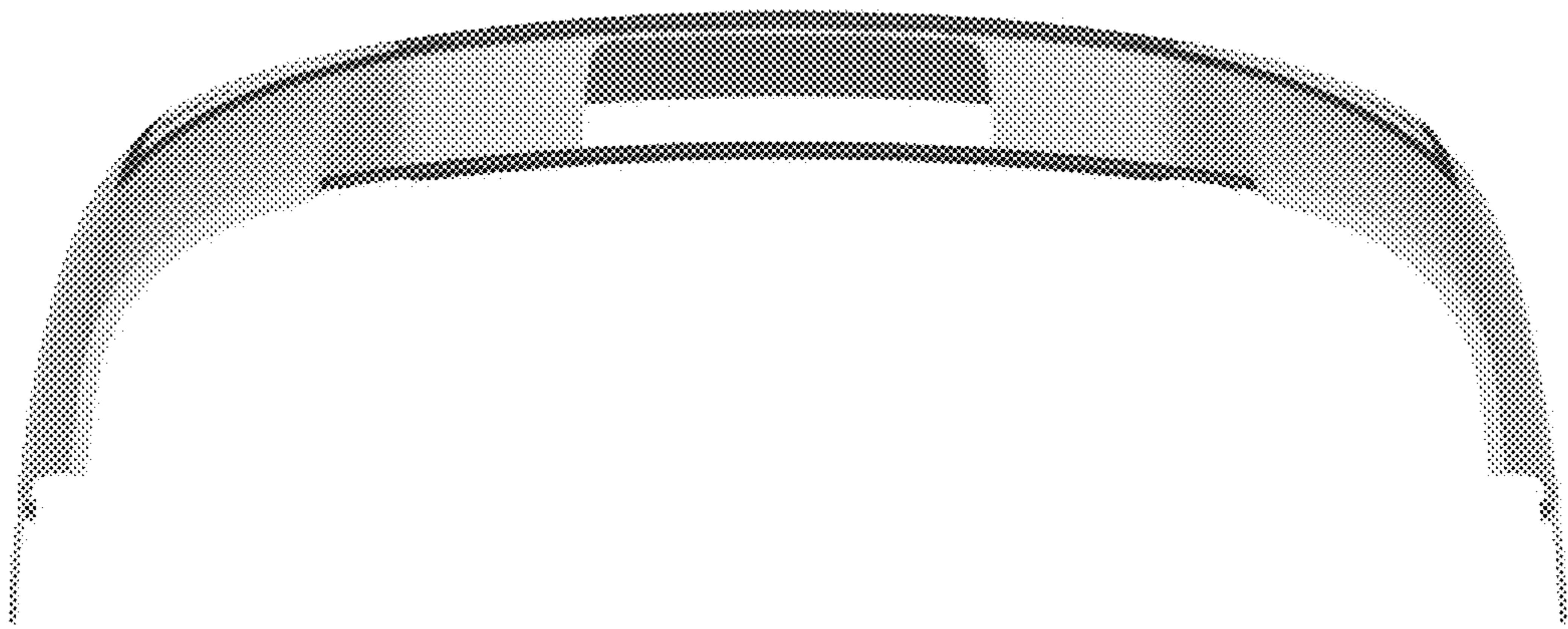
**Fig. 4**



**Fig. 5**

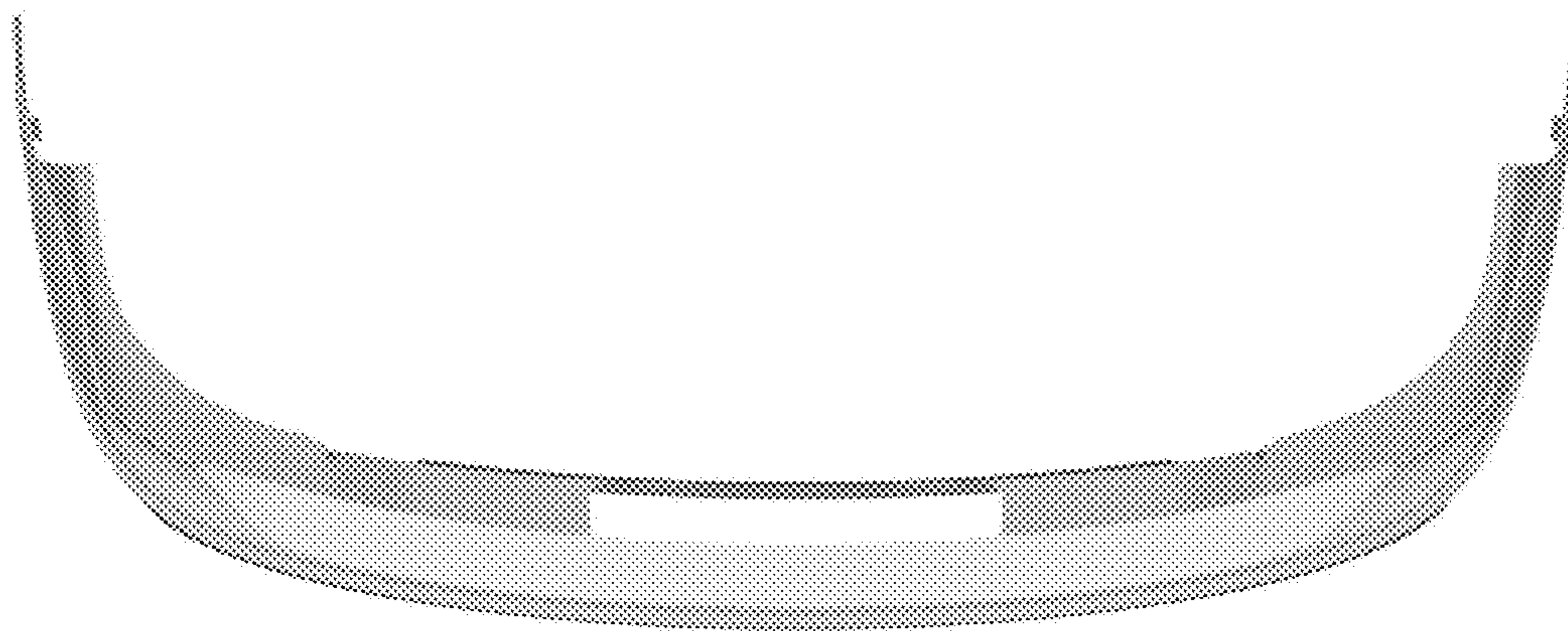


**Fig. 6**



**Fig. 7**





**Fig. 8**