



US00D934127S

(12) **United States Design Patent** (10) **Patent No.:** **US D934,127 S**
Li (45) **Date of Patent:** **** Oct. 26, 2021**

(54) **ELECTRIC TRICYCLE**
(71) Applicant: **Yingqi Li**, Guangzhou (CN)
(72) Inventor: **Yingqi Li**, Guangzhou (CN)
(**) Term: **15 Years**
(21) Appl. No.: **29/759,383**
(22) Filed: **Nov. 23, 2020**
(51) **LOC (13) Cl.** **12-11**
(52) **U.S. Cl.**
USPC **D12/112; D21/662**
(58) **Field of Classification Search**
USPC D12/1, 107, 110-114, 129, 130, 133;
D21/412, 414, 419, 423-428, 431-435,
D21/662
CPC . B62K 3/005; B62K 5/06; B62K 9/02; B62K
15/006; B62K 15/008; B62K 19/02;
B62M 1/32; B62M 1/38
See application file for complete search history.

(56) **References Cited**

U.S. PATENT DOCUMENTS

1,606,269 A * 11/1926 Stack B62K 9/02
280/7.15
2,232,661 A * 2/1941 Hedstrom B62K 9/02
280/282
D158,454 S * 5/1950 Glamb D12/113
D159,104 S * 6/1950 Smith D12/113
3,062,559 A * 11/1962 Hewitt B62K 9/02
280/202
D205,398 S * 8/1966 Doman et al. D12/16
D246,776 S * 12/1977 Moore D12/110
D253,530 S * 11/1979 Perkins D12/112
D254,968 S * 5/1980 Moore D12/112
D255,111 S * 5/1980 Palmer D12/110
D275,380 S * 9/1984 Flowers, Sr. D12/110
D280,890 S * 10/1985 Trudo D12/112
D289,273 S * 4/1987 Berger D12/112
D304,813 S * 11/1989 Kelly D12/113

D308,499 S * 6/1990 Berger D12/112
D318,638 S * 7/1991 Kelly D12/112
D327,240 S * 6/1992 Jackson D12/112
D344,914 S * 3/1994 McNutt D12/110
D405,031 S * 2/1999 Li D12/112
D486,425 S * 2/2004 Li D12/112
D504,360 S 4/2005 Sramek et al.
D510,715 S 10/2005 Wu
D730,781 S 6/2015 Arbour et al.
D782,942 S * 4/2017 Trifaro D12/112
D792,811 S 7/2017 Kermani et al.

(Continued)

OTHER PUBLICATIONS

“Electric Workman Portotrike Coaster.” Workman Cycles., Nov. 18, 2019 [online], [retrieved on Sep. 3, 2021]. Retrieved from the Internet <URL: <https://www.worksmancycles.com/ptcb-hub-eng.html>>.*

(Continued)

Primary Examiner — Darlington Ly
(74) *Attorney, Agent, or Firm* — Rumit Ranjit Kanakia

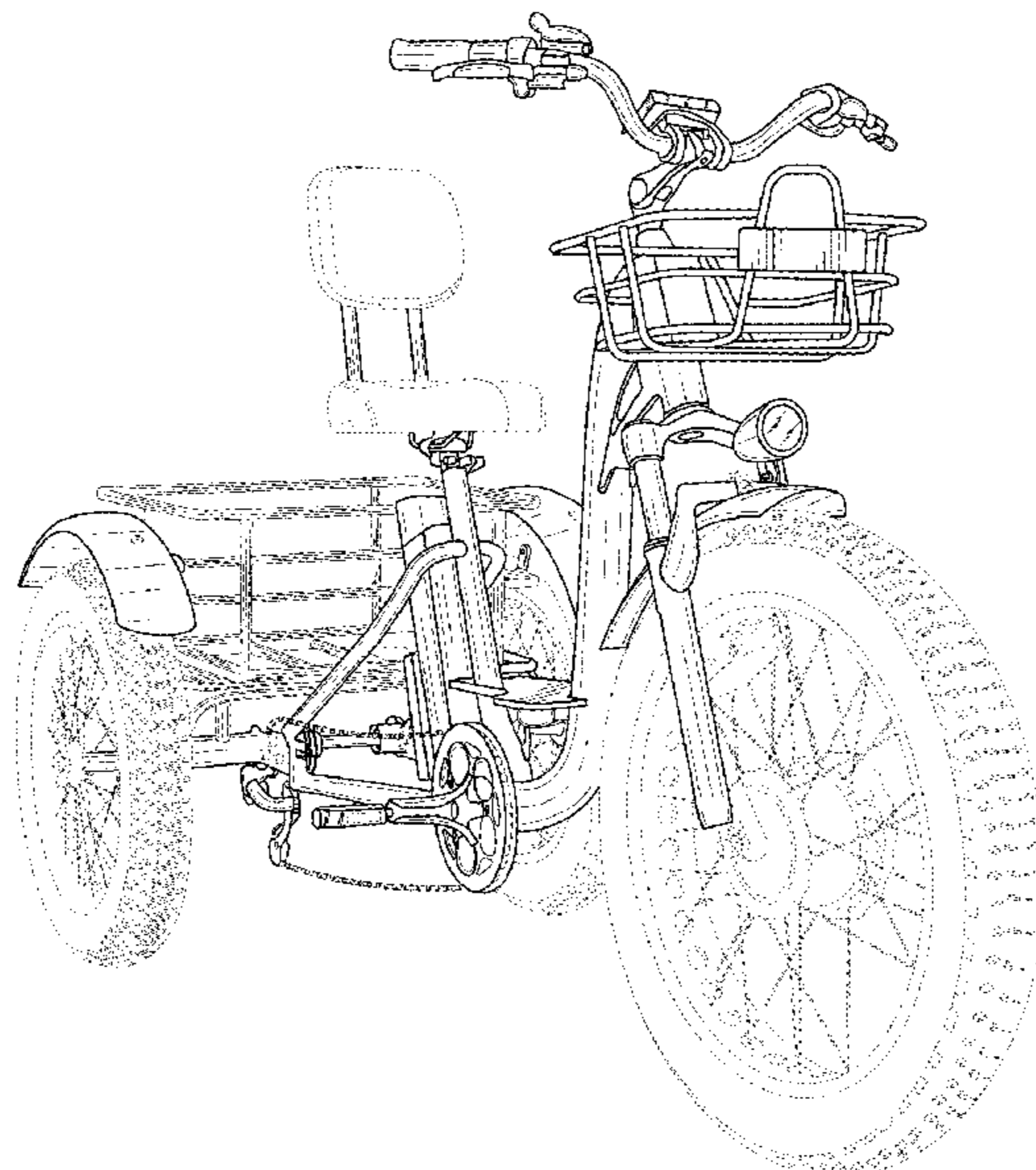
(57) **CLAIM**

I claim the ornamental design for an electrical tricycle, as shown and described.

DESCRIPTION

FIG. 1 is a front and right side perspective view of an electric tricycle embodying my new design;
FIG. 2 is a front perspective view thereof;
FIG. 3 is a rear perspective view thereof;
FIG. 4 is a left side perspective view thereof;
FIG. 5 is a right side perspective view thereof;
FIG. 6 is a top perspective view thereof; and,
FIG. 7 is a bottom perspective view thereof.
The broken lines in the drawings depict portions of the electric tricycle that form no part of the claimed design.

1 Claim, 7 Drawing Sheets



(56)

References Cited

U.S. PATENT DOCUMENTS

D845,837 S 4/2019 Jin
D869,342 S * 12/2019 Heidl D12/112

OTHER PUBLICATIONS

Tamas Turi. “the CERO e-tricycle emphasizes strength + support.” Design Boom., Nov. 17, 2016 [online], [retrieved on Sep. 3, 2021]. Retrieved from the Internet <URL: <https://www.designboom.com/design/cero-e-tricycle-tamas-turi-lili-pazmany-11-17-2016/>>.*

“Viribus 3 Wheel Electric Bike for Adults with 250w Motor, Bike Tube, Removable 36V . . .” Amazon., Jan. 14, 2021 [online], [retrieved on Sep. 3, 2021]. Retrieved from the Internet <URL: https://www.amazon.com/Viribus-Electric-Removable-Tricycle-Adjustable/dp/B08CMSY2R5/ref=cm_cr_arp_d_product_top?ie=UTF8>.*

Micah Toll. “This newly unveiled 1,000W fat tire e-trike ain’t your grandpa’s electric tricycle.” Electrek., Dec. 5, 2020 [online], [retrieved on Sep. 3, 2021]. Retrieved from the Internet <URL: <https://electrek.co/2020/12/05/addmotor-m-340-1000w-fat-tire-e-trike-aint-grandpas-electric-tricycle/>>.*

* cited by examiner

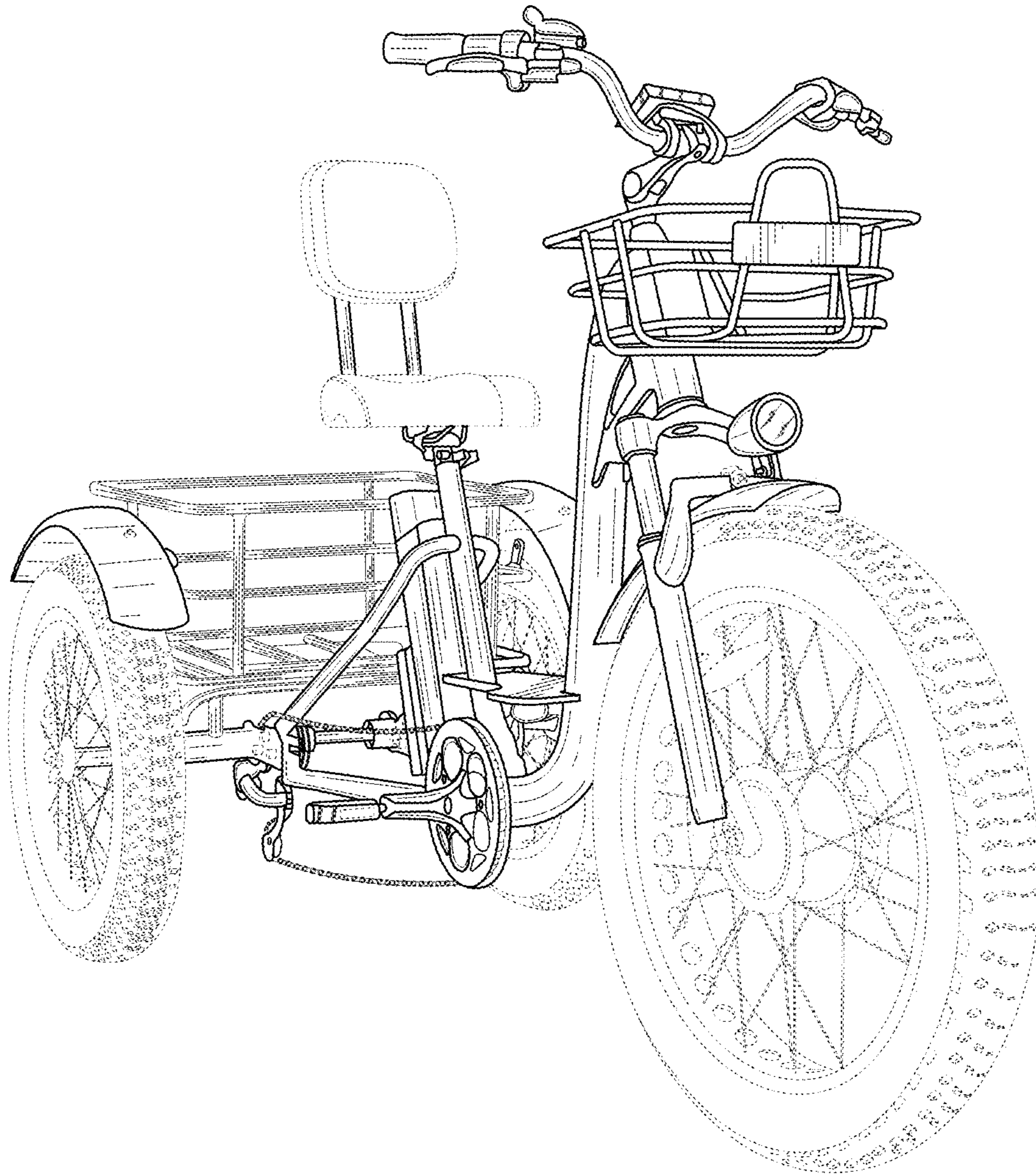


FIG. 1

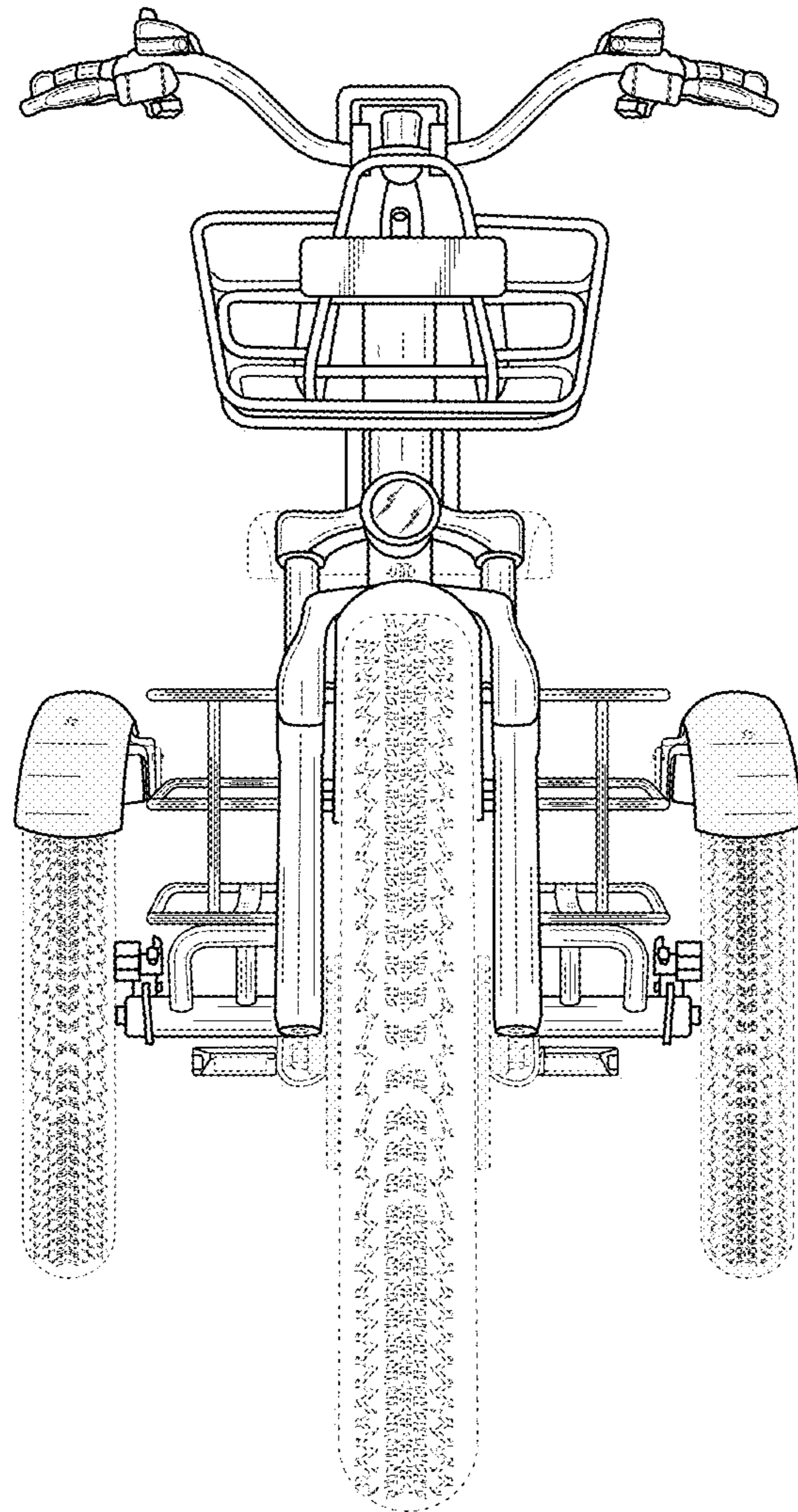


FIG. 2

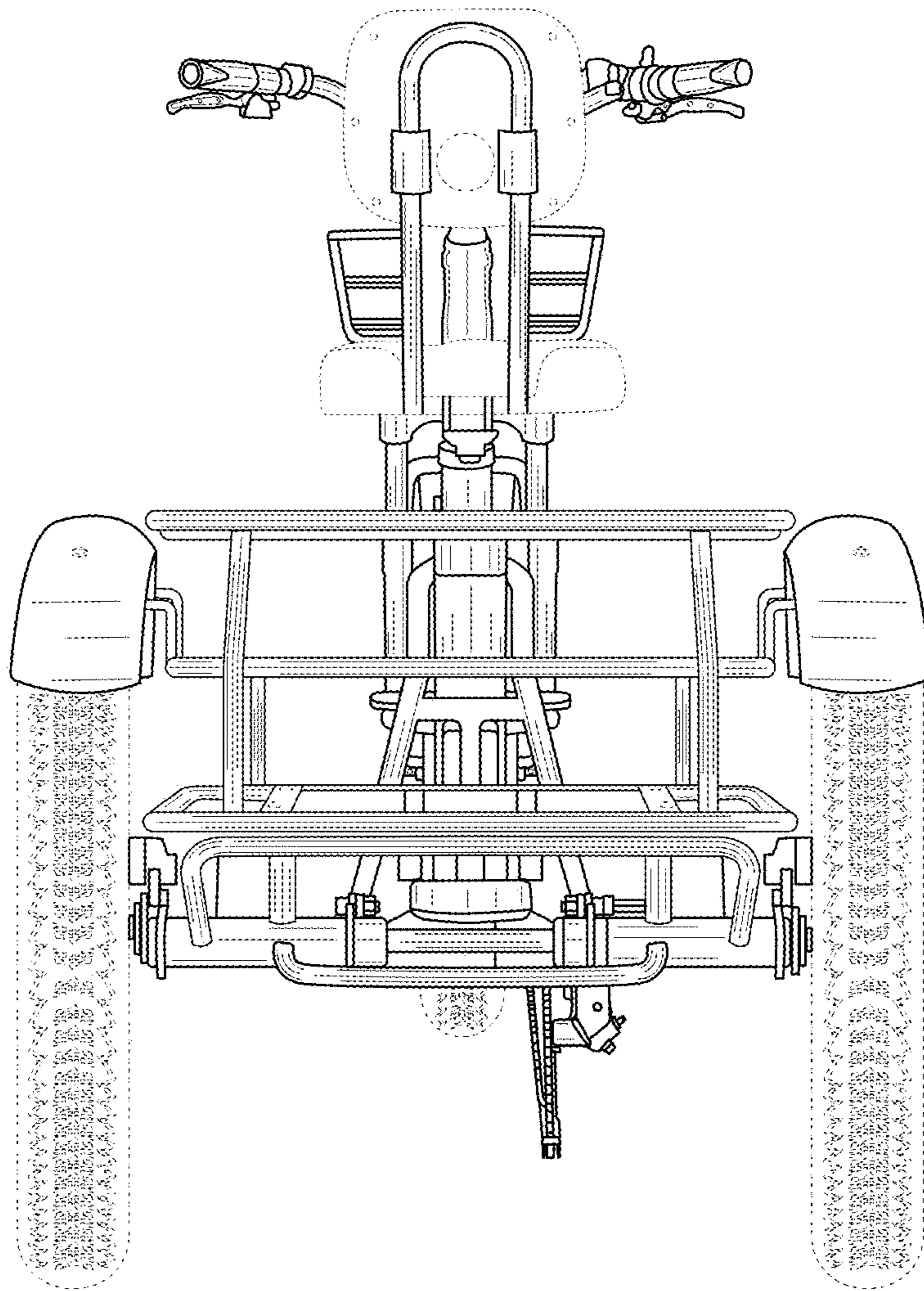


FIG. 3

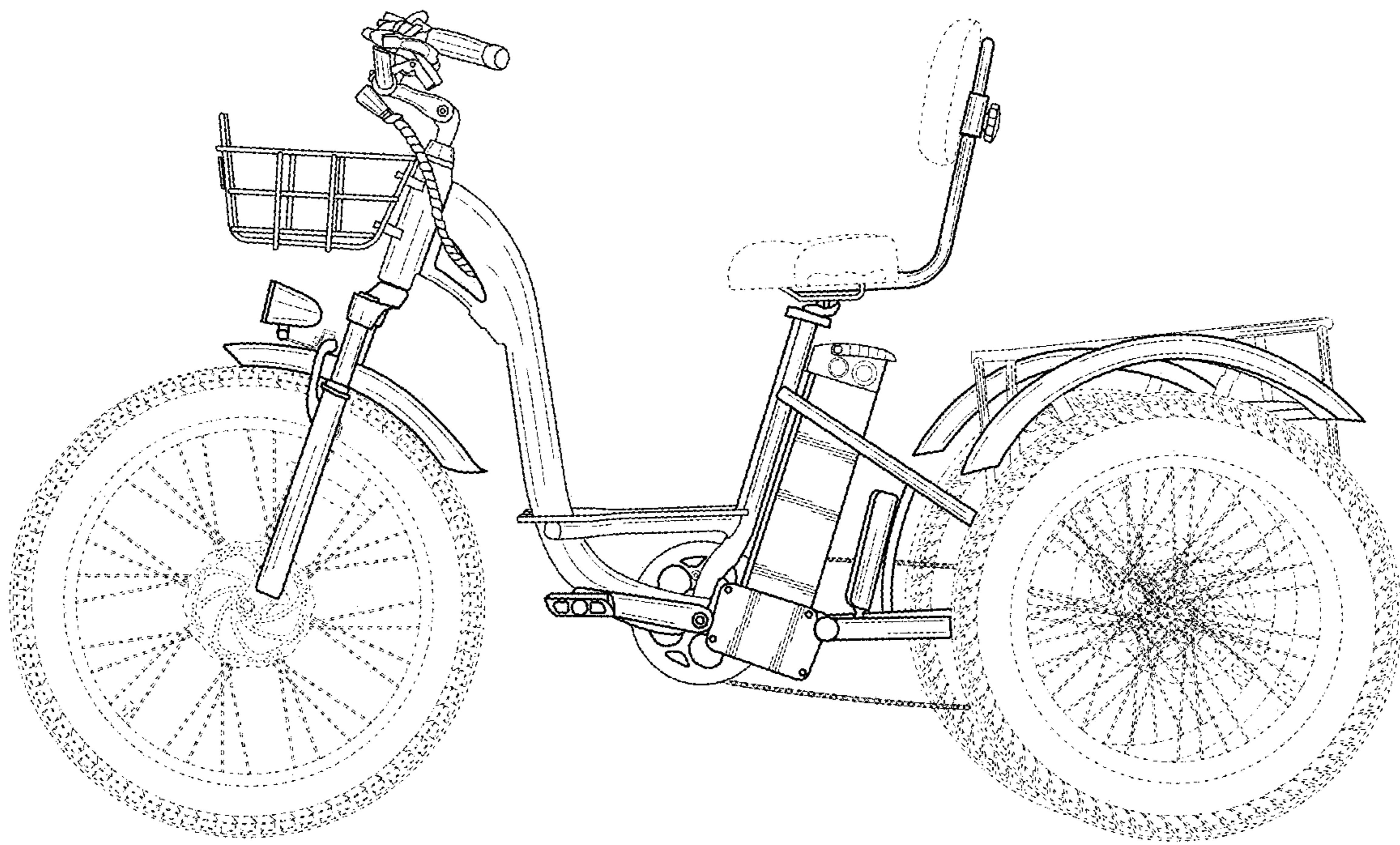


FIG. 4

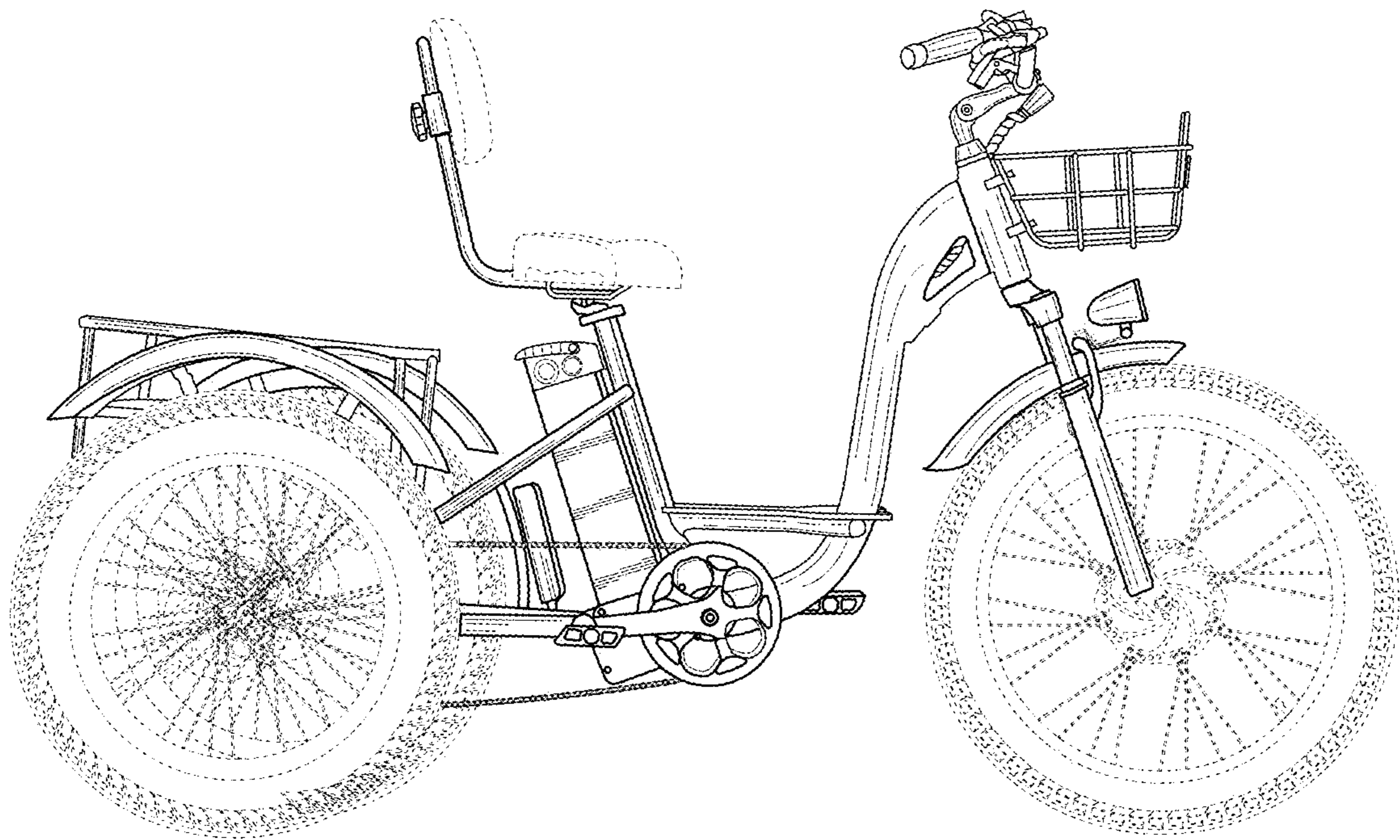


FIG. 5

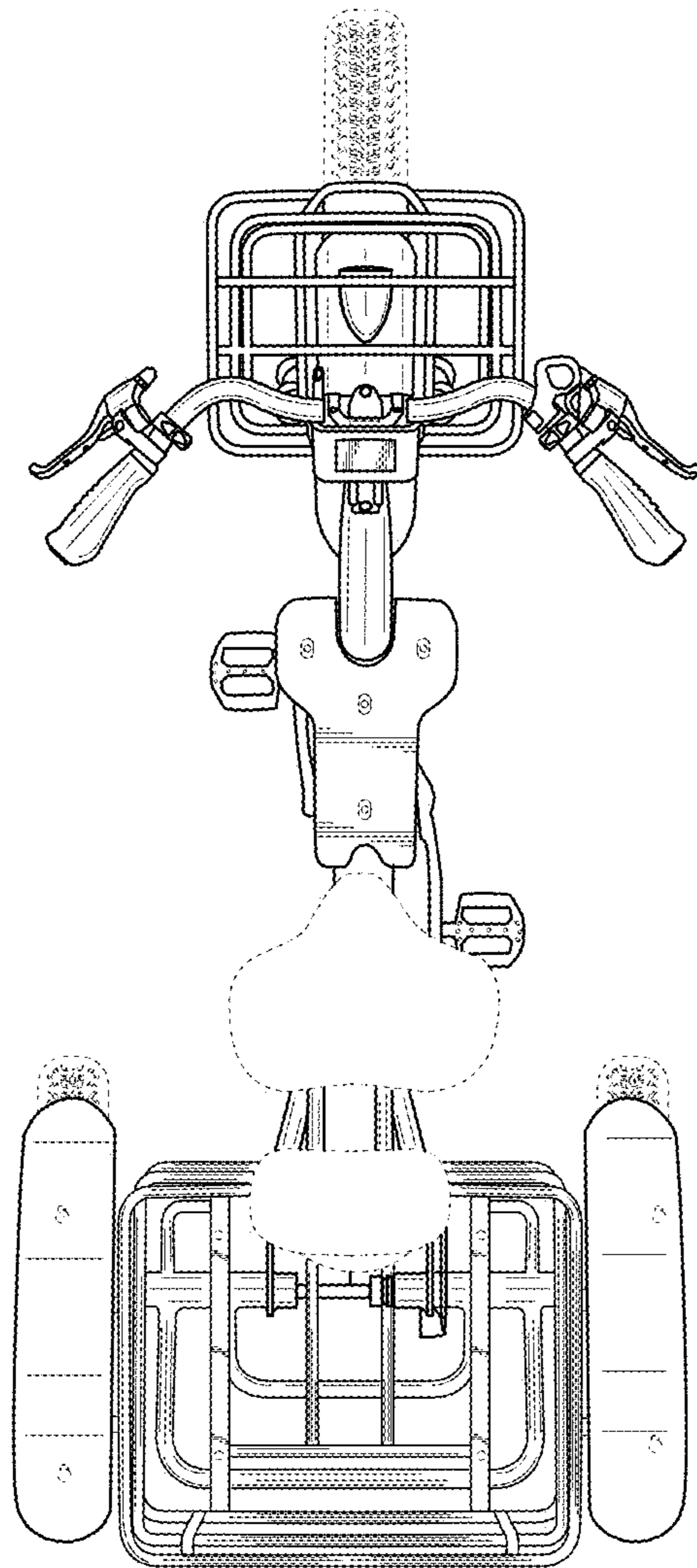


FIG. 6

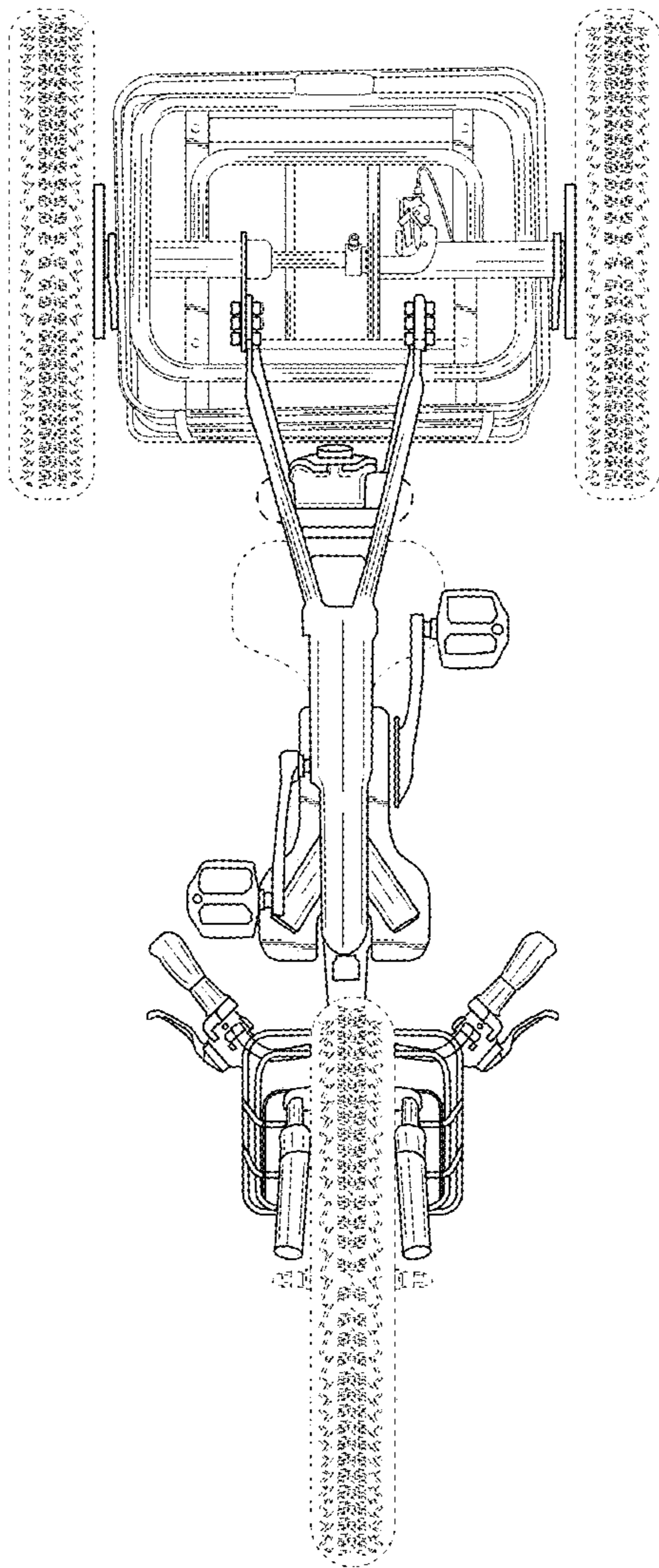


FIG. 7