



US00D934126S

(12) **United States Design Patent** (10) **Patent No.:** **US D934,126 S**
Avery et al. (45) **Date of Patent:** **** Oct. 26, 2021**

(54) **BIKE**

(71) Applicant: **JJC Imports, LLC**, West Hollywood, CA (US)
(72) Inventors: **Jason Avery**, Los Angeles, CA (US); **Stephen Chen**, Los Angeles, CA (US); **Tyler Do**, Burbank, CA (US); **Amelia Helmick**, West Hollywood, CA (US); **Jeffrey Kelsoe**, West Hollywood, CA (US); **Sean Lim**, Los Angeles, CA (US); **Paul Van Wieren**, Los Angeles, CA (US); **Andrew Wilson**, Calabasas, CA (US); **Andrew Reuter**, La Crosse, WI (US); **Diego Meneses**, Shenzhen (CN); **Jonathan Viner**, West Hollywood, CA (US); **Joshua Viner**, West Hollywood, CA (US); **Matthew Alfin**, West Hollywood, CA (US); **Zachary Rapoport**, Northridge, CA (US); **Samuel Ach**, Portland, OR (US)

(73) Assignee: **JJC IMPORTS, LLC**, West Hollywood, CA (US)

(**) Term: **15 Years**

(21) Appl. No.: **29/716,185**

(22) Filed: **Dec. 6, 2019**

(51) **LOC (13) Cl.** **12-11**

(52) **U.S. Cl.**
USPC **D12/111**

(58) **Field of Classification Search**
USPC D12/111, 117-120; D21/419, 432
CPC ... B62K 3/02; B62K 3/06; B62K 3/08; B62K 9/00; B62K 15/00; B62K 15/006; B62K 15/008; B62K 17/00
See application file for complete search history.

(56) **References Cited**

U.S. PATENT DOCUMENTS

D401,187 S	*	11/1998	Ninic	D12/111
D600,596 S	*	9/2009	Walters	D12/111
D620,400 S	*	7/2010	Haller	D12/111
D635,894 S	*	4/2011	Argote Vivar	D12/111
D774,966 S	*	12/2016	Finbow	D12/111
D803,728 S	*	11/2017	Kamler	D12/111

(Continued)

OTHER PUBLICATIONS

“Strider 14x Sport” Strider., posted date May 31, 2019 [online], [retrieved on Mar. 31, 2021]. Retrieved from the Internet <URL: <https://striderbikes.com/buy/shop-all/balance-bikes/strider-14x-sport/>> (Year: 2019).*

(Continued)

Primary Examiner — Darlington Ly

Assistant Examiner — Nasim Abdulaziz Ali

(74) *Attorney, Agent, or Firm* — Schwegman Lundberg & Woessner, P.A.

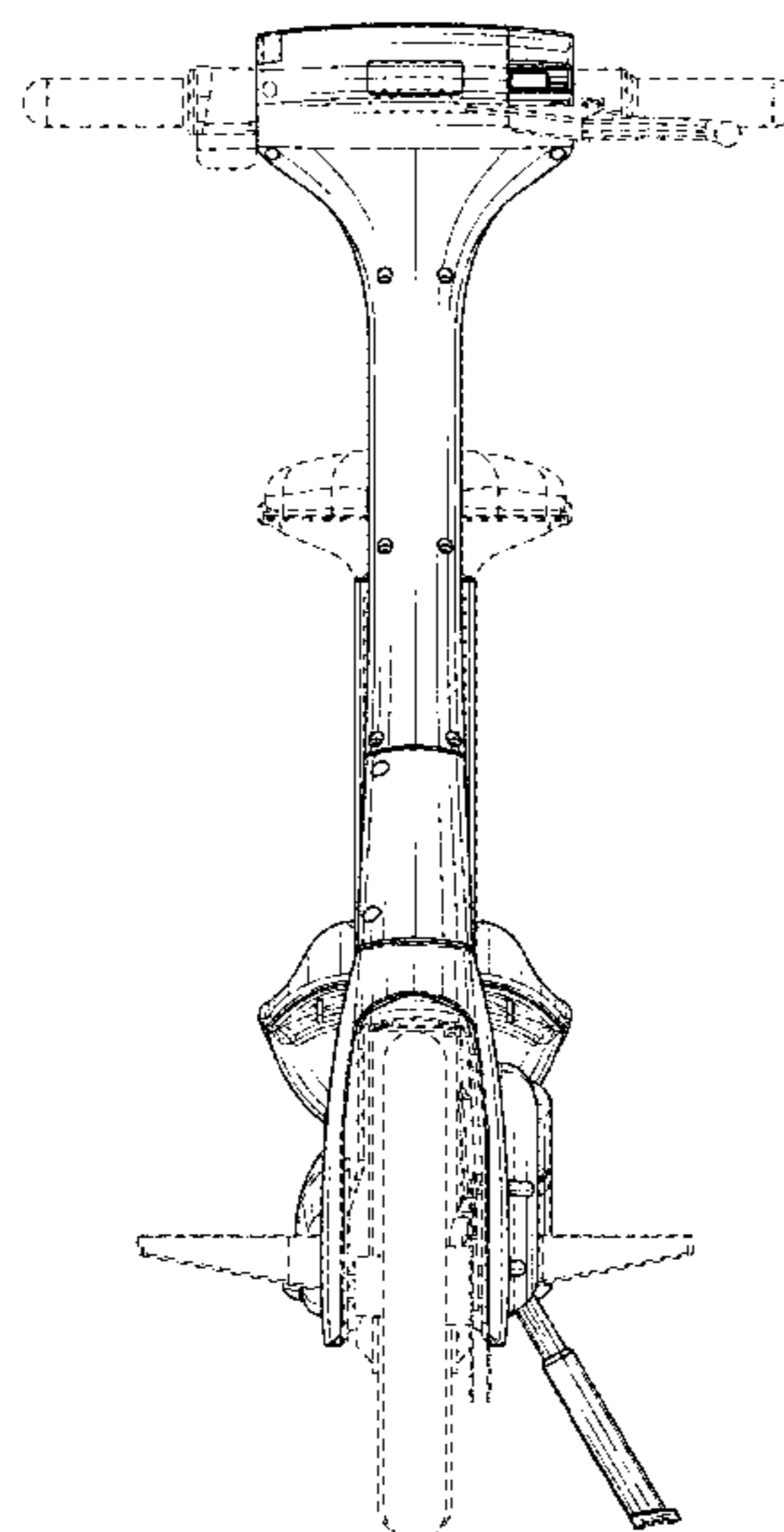
(57) **CLAIM**

The ornamental design for a bike, as shown and described.

DESCRIPTION

FIG. 1 is a front elevation view of a bike or a portion thereof, embodying showing our new design;
FIG. 2 is a rear elevation view thereof;
FIG. 3 is a left side elevation view thereof;
FIG. 4 is a right side elevation view thereof;
FIG. 5 is a top plan view thereof;
FIG. 6 is a bottom plan view thereof;
FIG. 7 is a top-front-left perspective view thereof;
FIG. 8 is a bottom-front-right perspective view thereof;
FIG. 9 is a bottom-rear-right perspective view thereof; and,
FIG. 10 is a top-rear-left perspective view thereof.
The broken lines in the drawings illustrate portions of the bike that form no part of the claimed design.

1 Claim, 9 Drawing Sheets



(56)

References Cited

U.S. PATENT DOCUMENTS

D807,232	S	*	1/2018	Bailie	D12/111
D811,946	S	*	3/2018	Williams	D12/111
D814,361	S	*	4/2018	Shi	D12/111
D854,969	S	*	7/2019	Gouin	D12/111
D864,039	S	*	10/2019	Mathieu	D12/111
D900,680	S	*	11/2020	Chen	D12/111
D902,084	S	*	11/2020	Gauthier	D12/111
D904,234	S	*	12/2020	von Schoning	D12/111
D906,890	S	*	1/2021	Duez	D12/111
D908,541	S	*	1/2021	Shi	D12/111
D909,920	S	*	2/2021	Zhu	D12/111
D910,496	S	*	2/2021	Zhu	D12/111

OTHER PUBLICATIONS

“Qiani Balance Bike” Qiani., posted date Sep. 10, 2020 [online], [retrieved on Mar. 31, 2021]. Retrieved from the Internet <URL: https://www.amazon.com/Qiani-Balance-Toddlers-Pedals-Training/dp/B08HK29PGW/ref=sr_1_16?dchild=1&keywords=balance+bike&qid=1617217985&sr=8-16> (Year: 2020).*

“SYX MOTO Spark 24V 100W Kids Mini Electric Balance Bike” SYX MOTO., posted date Feb. 7, 2021 [online], [retrieved on Mar. 31, 2021]. Retrieved from the Internet <URL: <https://tinyurl.com/td954wfs>> (Year: 2021).*

“Mini Glider Kids Balance Bike” Glide Bikes Store., posted date Jan. 28, 2016 [online], [retrieved on Mar. 31, 2021]. Retrieved from the Internet <URL: <https://tinyurl.com/4pas3kye>> (Year: 2016).*

* cited by examiner

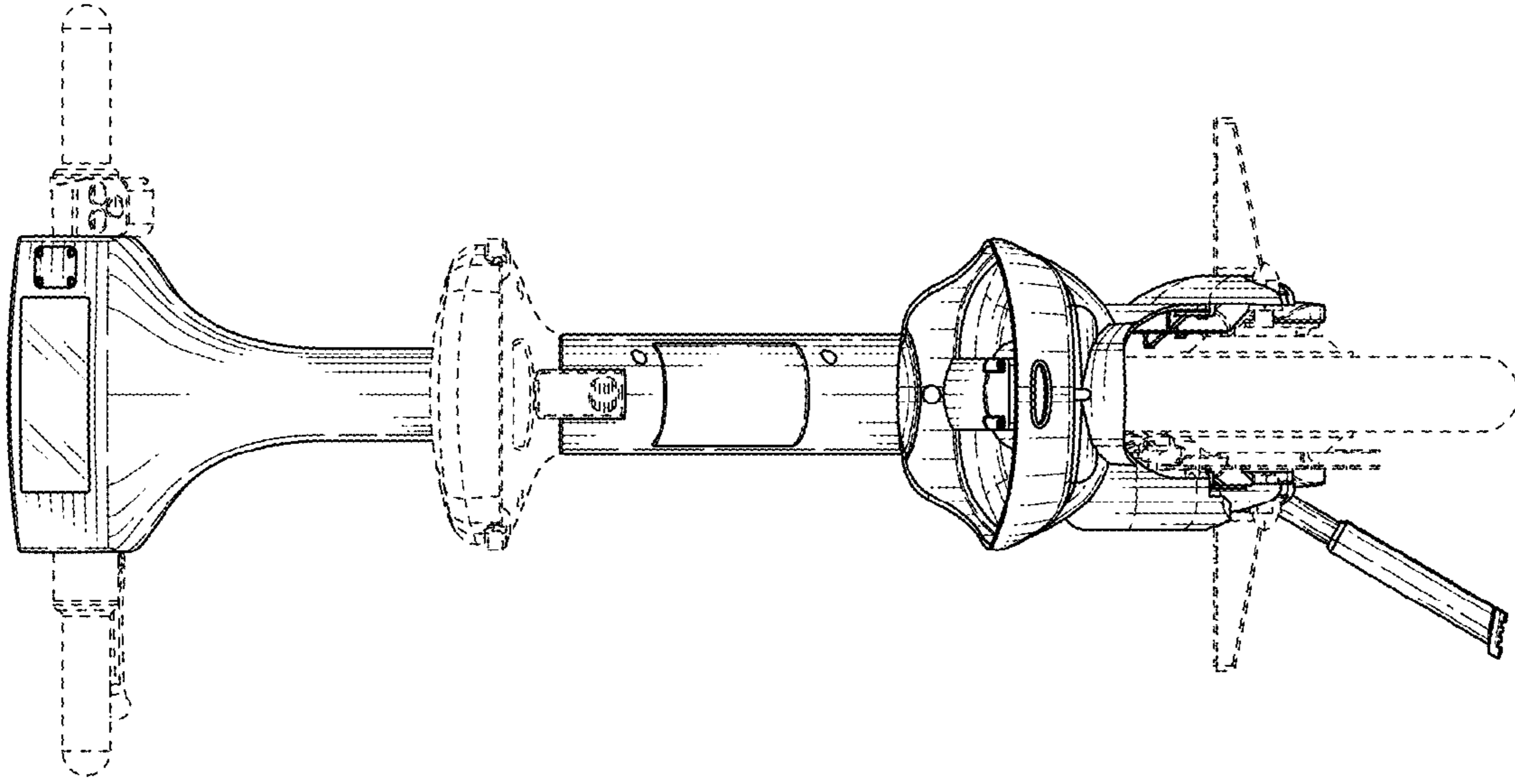


FIG. 2

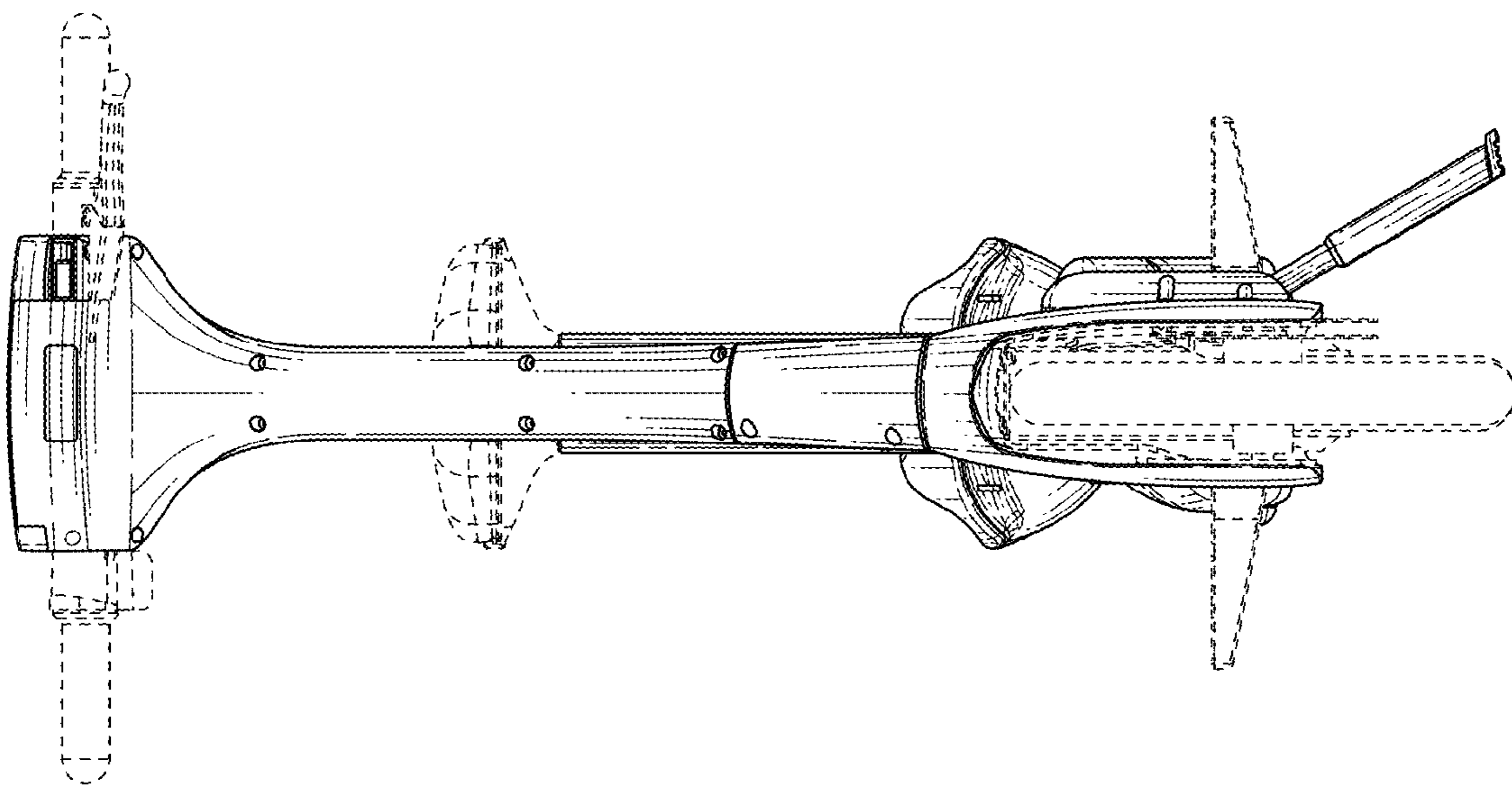


FIG. 1

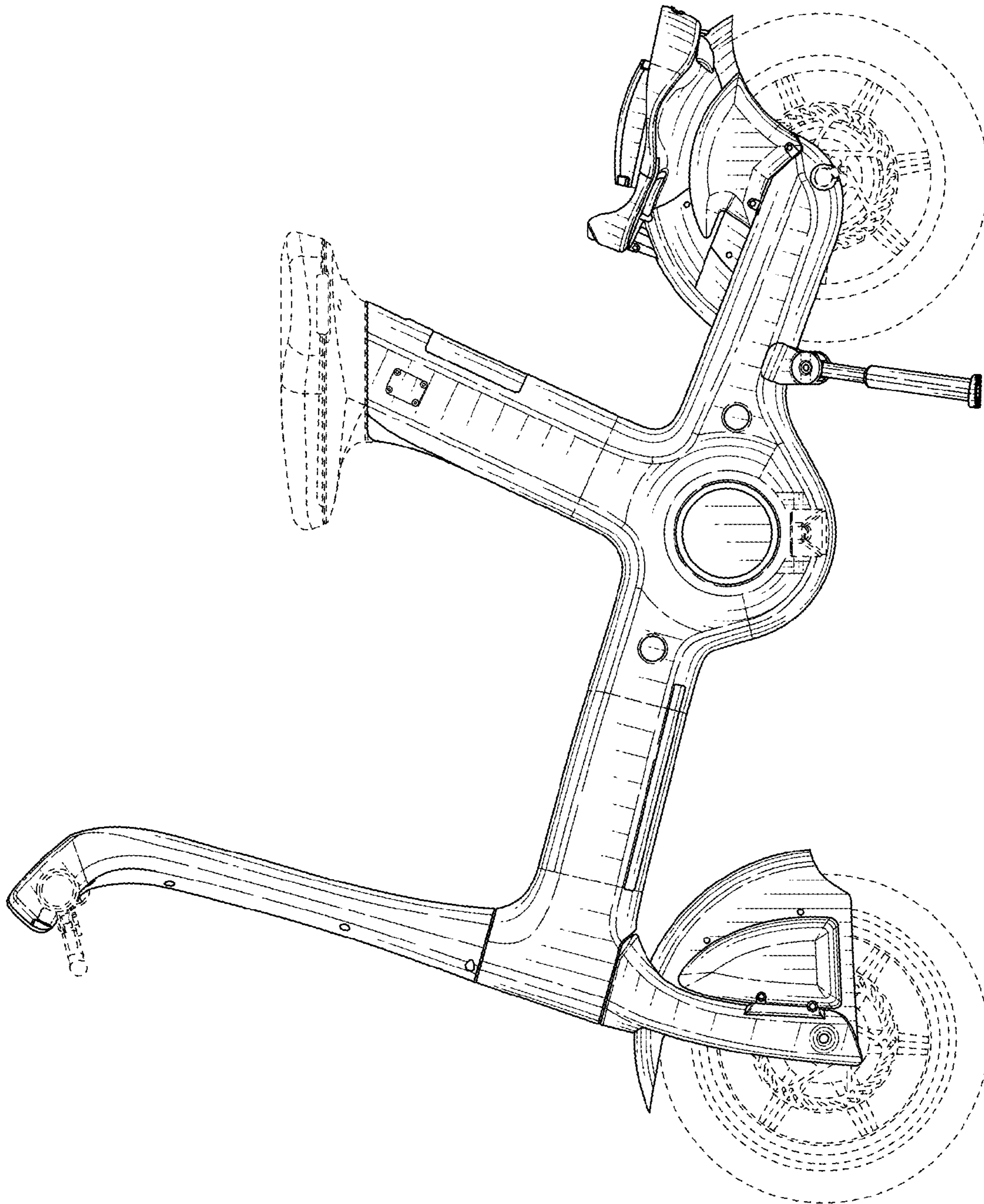


FIG. 3

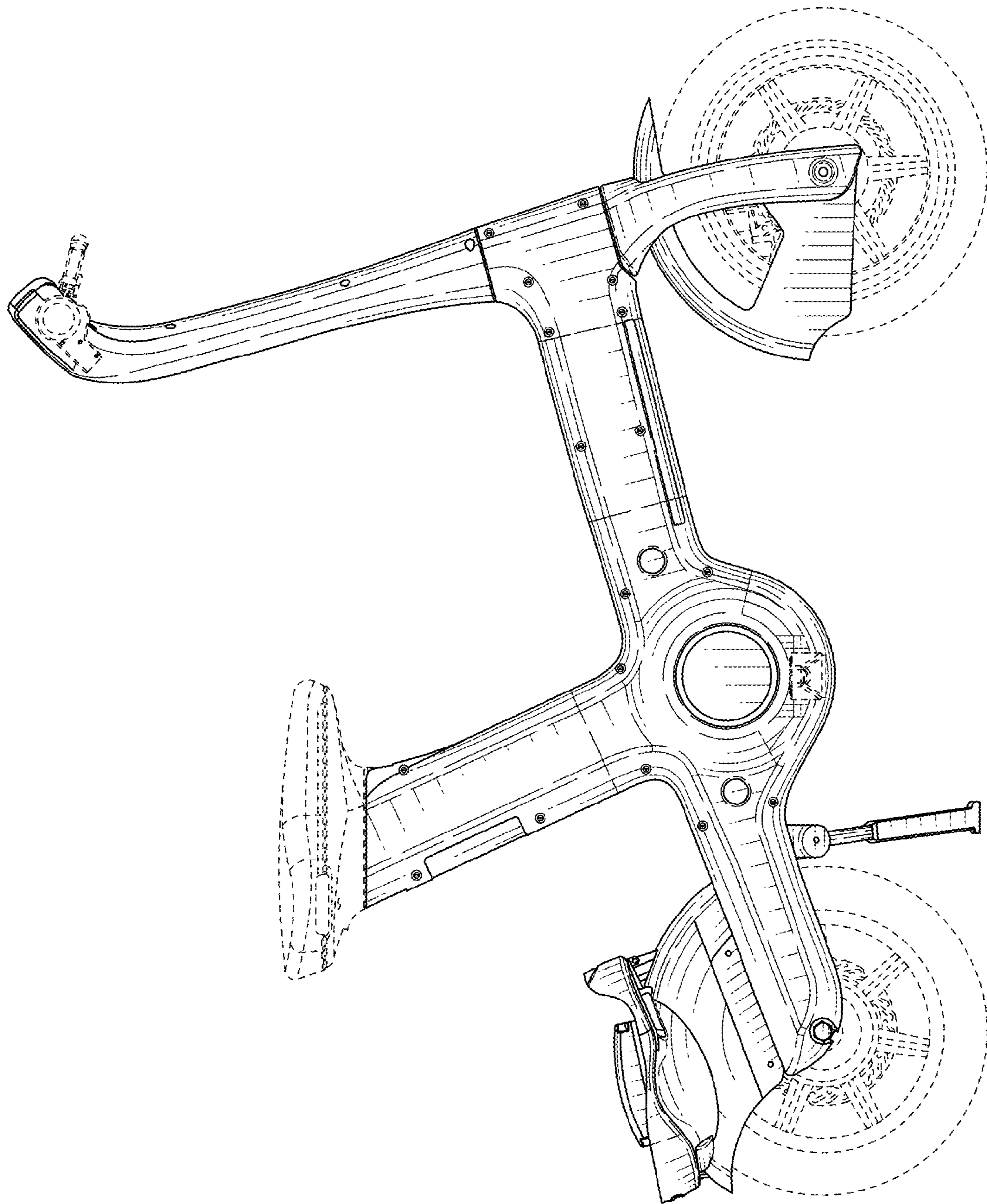


FIG. 4

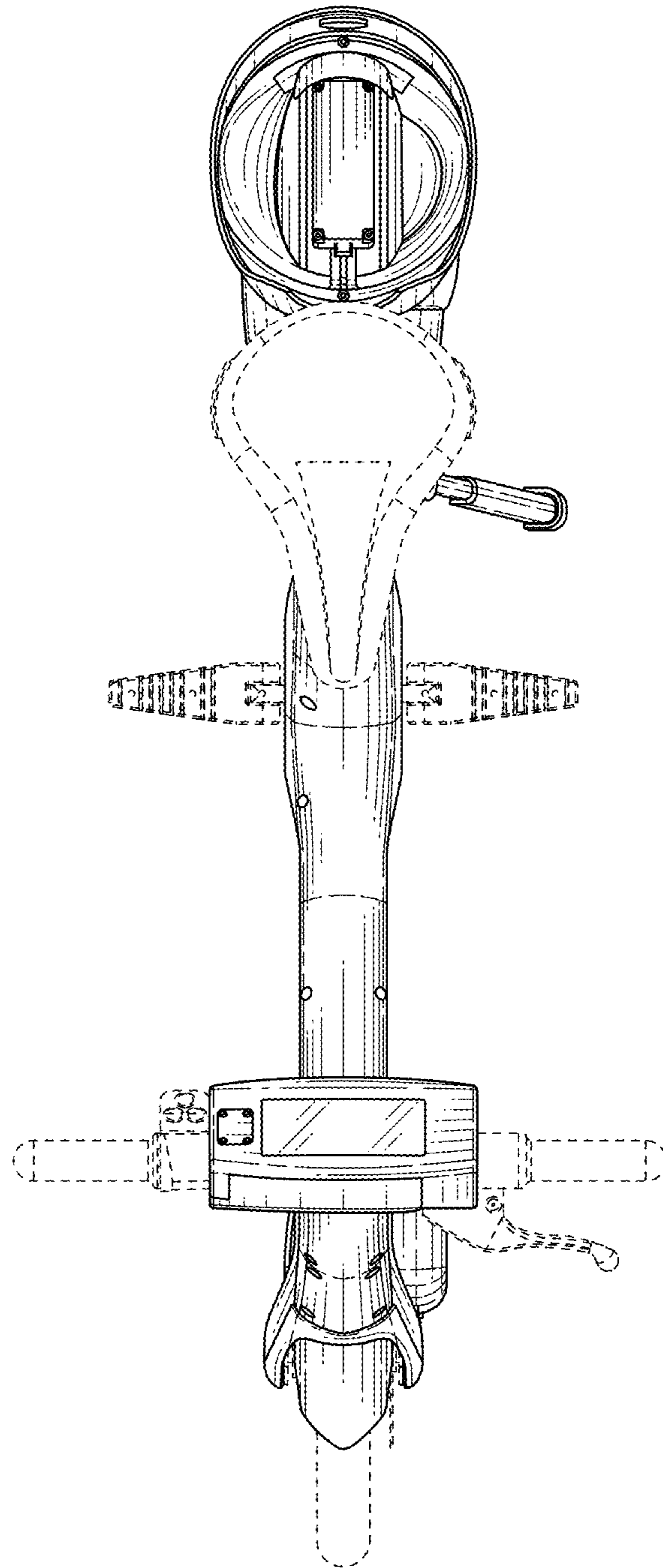


FIG. 5

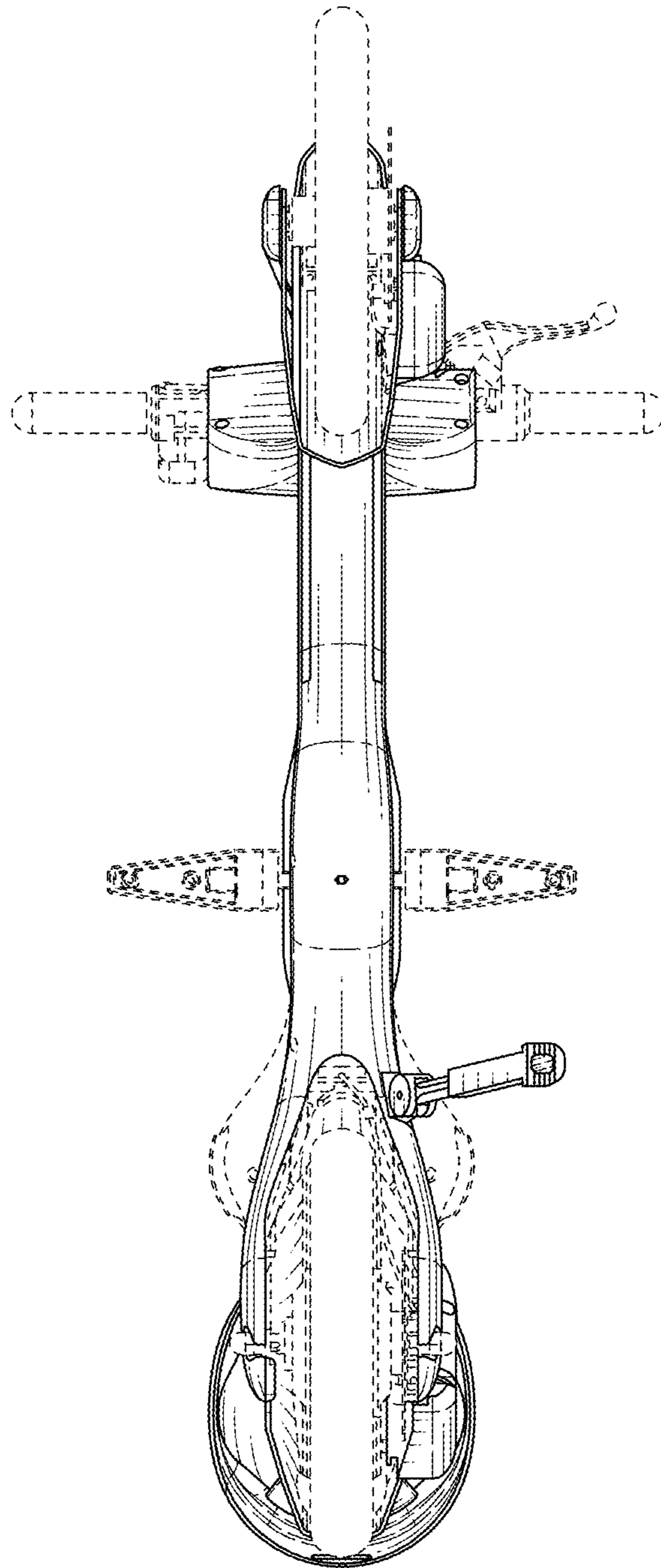


FIG. 6

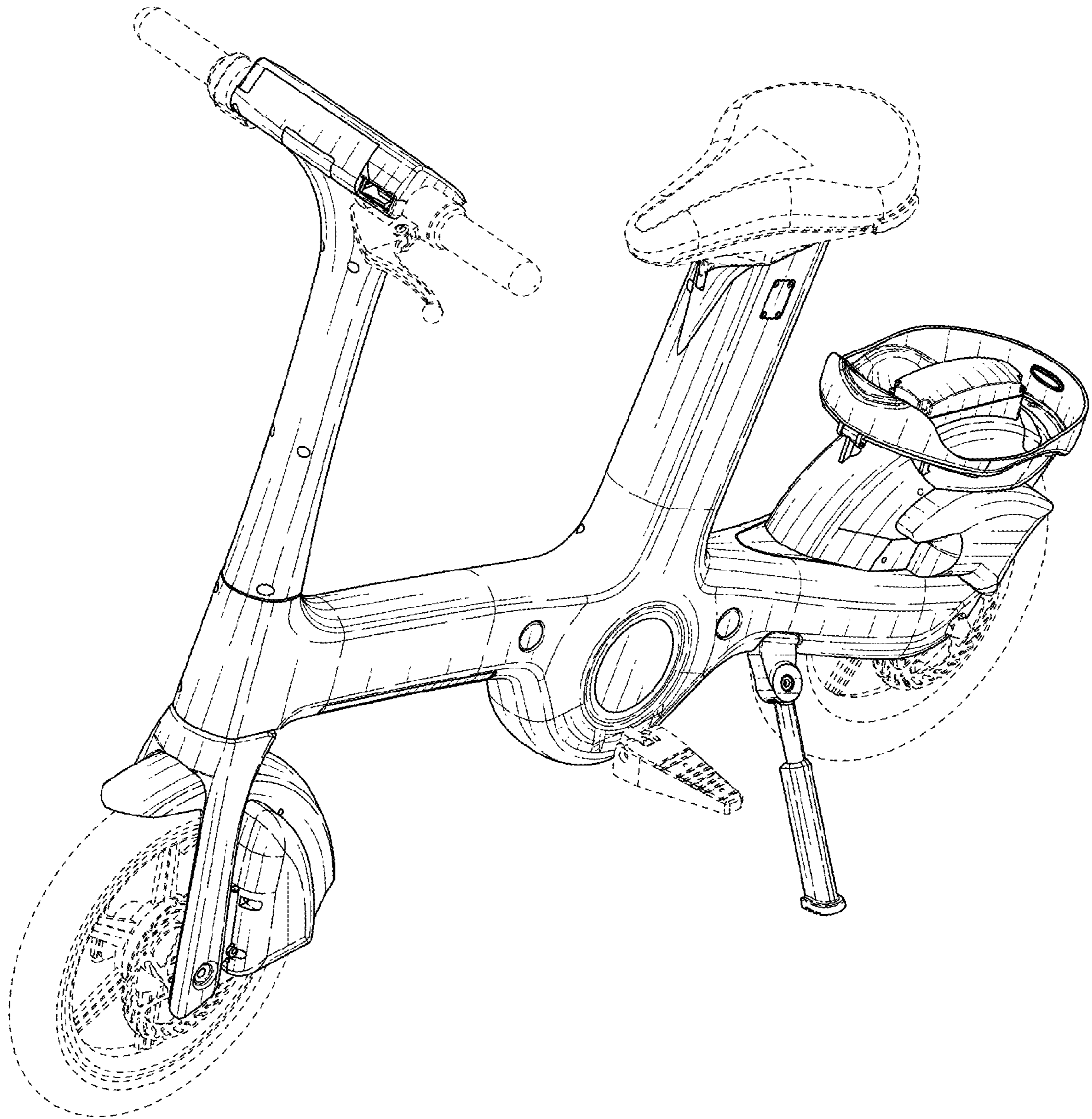


FIG. 7

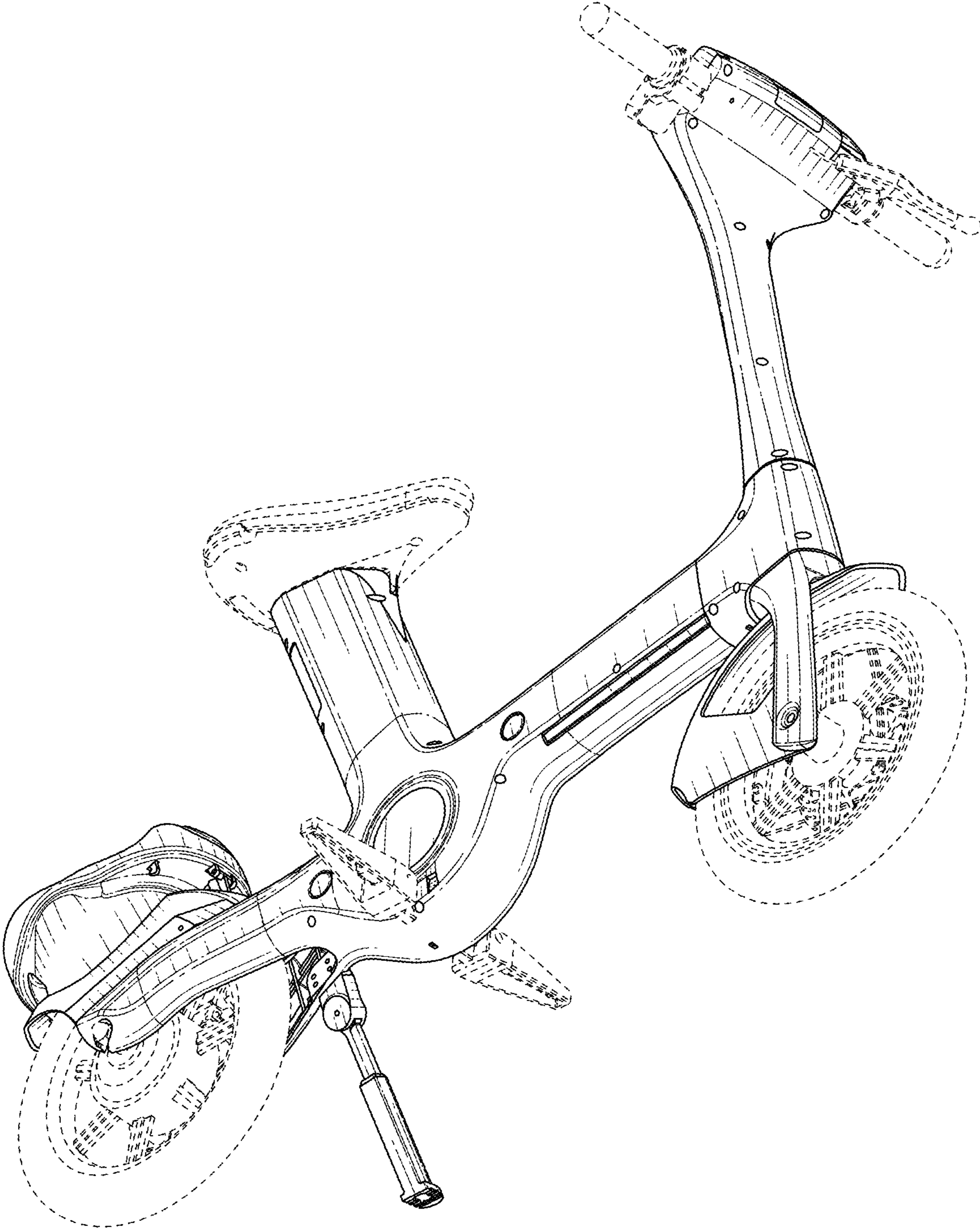


FIG. 8

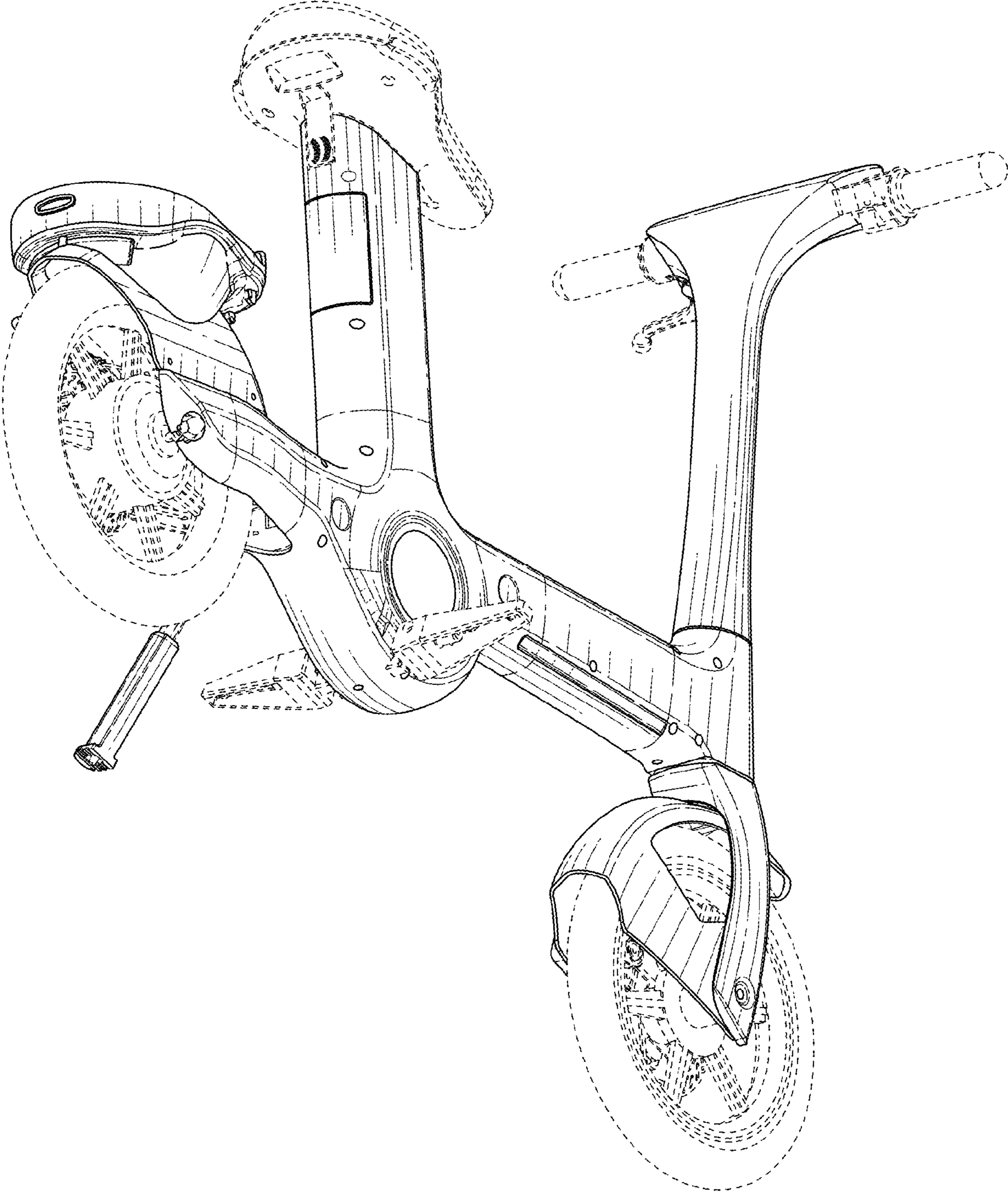


FIG. 9

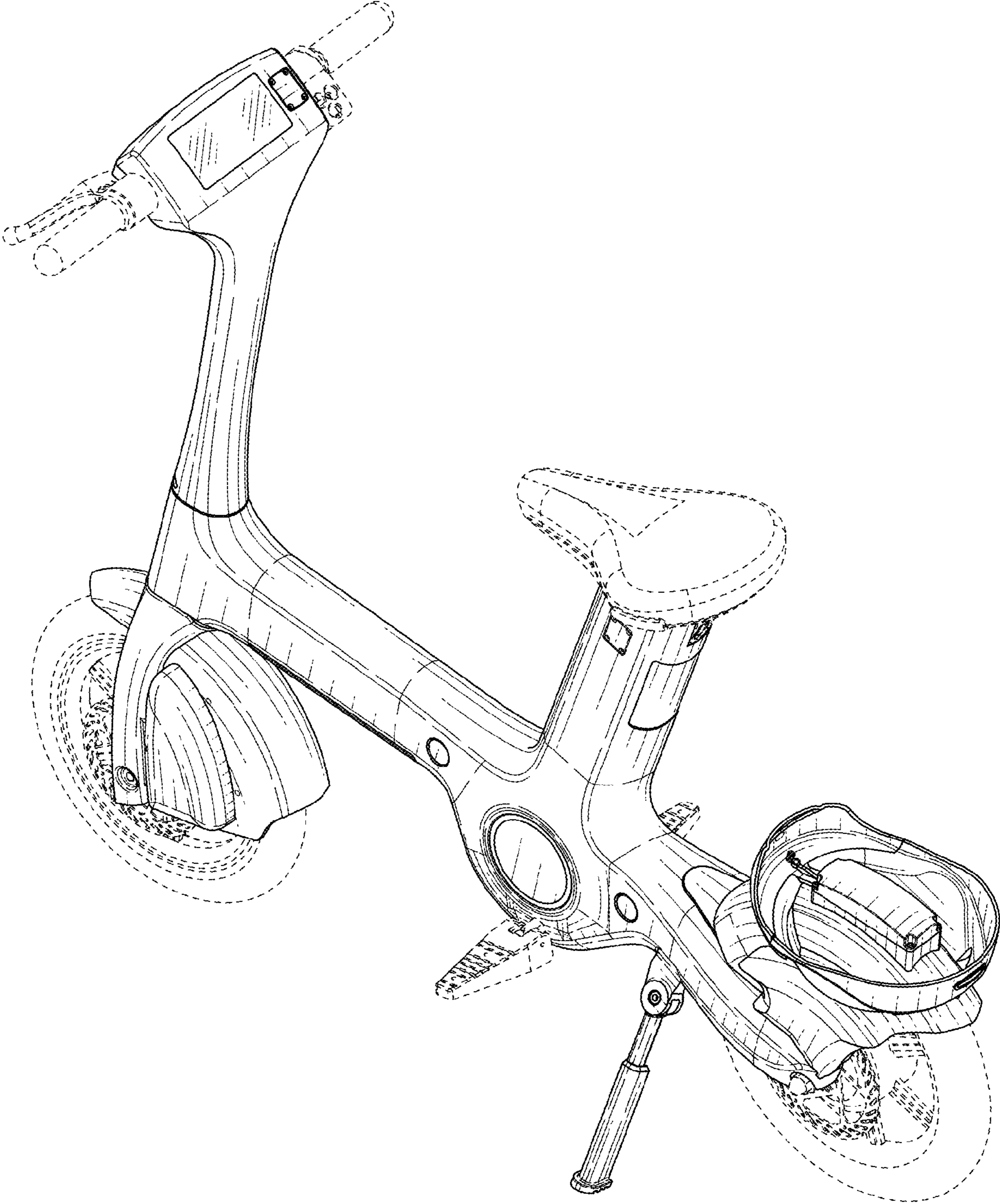


FIG. 10

UNITED STATES PATENT AND TRADEMARK OFFICE
CERTIFICATE OF CORRECTION

PATENT NO. : D934,126 S
APPLICATION NO. : 29/716185
DATED : October 26, 2021
INVENTOR(S) : Avery et al.

Page 1 of 1

It is certified that error appears in the above-identified patent and that said Letters Patent is hereby corrected as shown below:

On the Title Page

In Column 2, under "Description", Line 1, after "bike", delete "or a portion thereof,"

In Column 2, under "Description", Line 2, after "embodying", delete "showing"

Signed and Sealed this
Twenty-fifth Day of January, 2022



Drew Hirshfeld
*Performing the Functions and Duties of the
Under Secretary of Commerce for Intellectual Property and
Director of the United States Patent and Trademark Office*