



US00D934122S

(12) **United States Design Patent**
Hu

(10) **Patent No.:** **US D934,122 S**

(45) **Date of Patent:** **** Oct. 26, 2021**

(54) **ELECTRIC BICYCLE**

(71) Applicant: **Beijing Niu Information Technology Co., Ltd.**, Beijing (CN)

(72) Inventor: **Yilin Hu**, Beijing (CN)

(73) Assignee: **Beijing Niu Information Technology Co., Ltd.**, Beijing (CN)

(**) Term: **15 Years**

(21) Appl. No.: **29/701,390**

(22) Filed: **Aug. 12, 2019**

(30) **Foreign Application Priority Data**

Feb. 12, 2019 (CN) 201930062538.9

(51) **LOC (13) Cl.** **12-11**

(52) **U.S. Cl.**
USPC **D12/111**

(58) **Field of Classification Search**
USPC D12/111, 117; D21/412, 414, 419,
D21/423-428, 431-435
CPC B62K 3/00; B62K 3/02; B62K 3/06
See application file for complete search history.

(56) **References Cited**

U.S. PATENT DOCUMENTS

2,495,859 A *	1/1950	Mennesson	B62K 3/06 280/281.1
D253,102 S	10/1979	Hahn		
D273,100 S	3/1984	Ziegler		
D274,611 S	7/1984	Nakano		
D274,996 S	8/1984	Lacroix		
D281,615 S	12/1985	Barbato		
D302,801 S	8/1989	Lacroix		
D386,723 S *	11/1997	Fujieda	D12/110
D396,670 S *	8/1998	Wasserhess	D12/111
D401,534 S *	11/1998	Higashihara	D12/110

D402,925 S *	12/1998	Kino	D12/110
D406,253 S	3/1999	Yamashita		
5,924,511 A *	7/1999	Takata	B60L 15/20 180/206.2
D414,721 S *	10/1999	Nakamura	D12/110

(Continued)

FOREIGN PATENT DOCUMENTS

CN	201530091831	4/2015
CN	201730083918	3/2017

(Continued)

OTHER PUBLICATIONS

Electrek, NIU NIU debuts new electric scooters; retrieved Mar. 10, 2021; <https://electrek.co/2018/11/07/niu-electric-scooters-umini> (posted Nov. 7, 2018).

(Continued)

Primary Examiner — Darlington Ly
(74) *Attorney, Agent, or Firm* — Andrus Intellectual Property Law, LLP

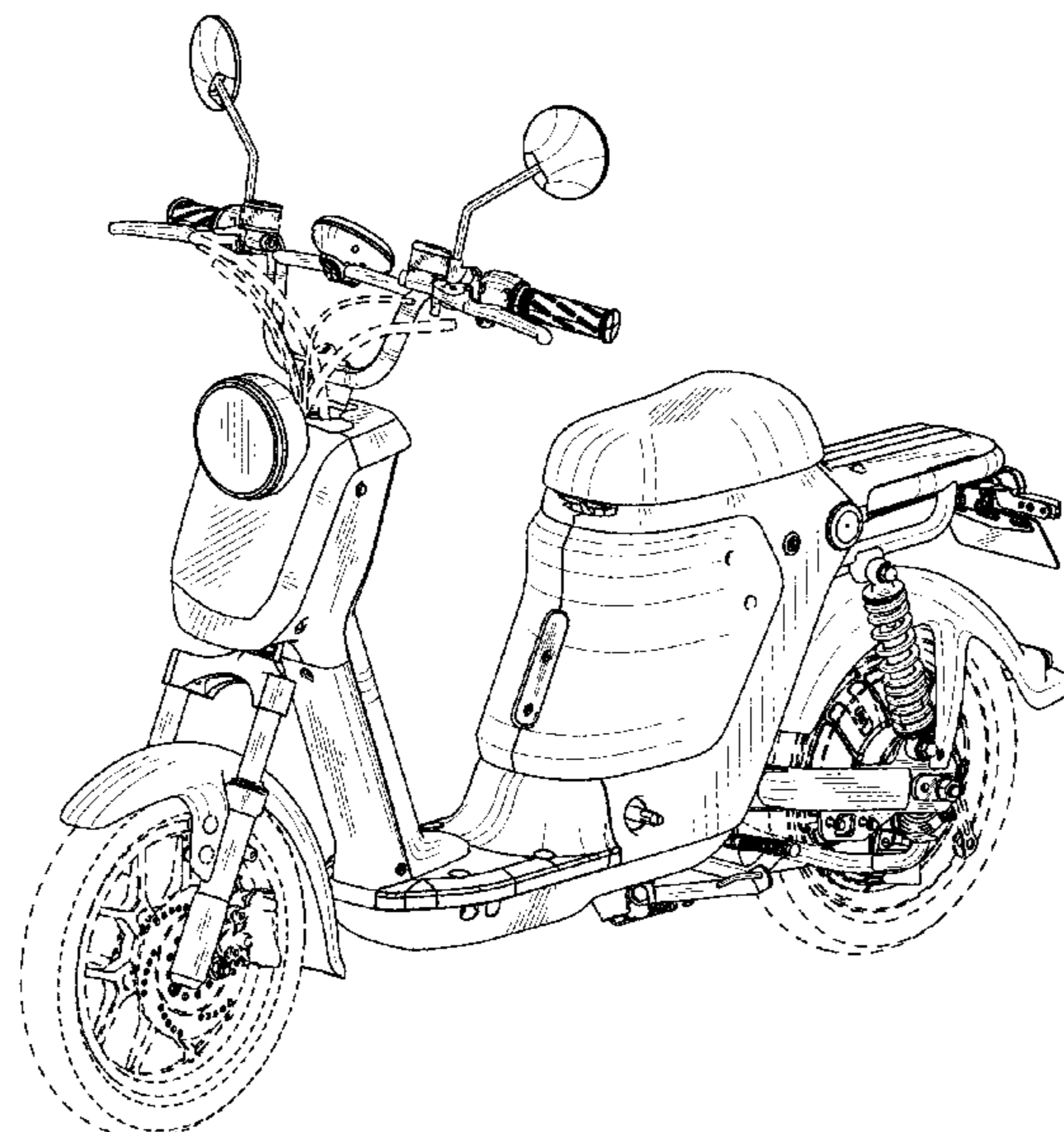
(57) **CLAIM**

The ornamental design for an electric bicycle, as shown and described.

DESCRIPTION

FIG. 1 is a front elevation view of an electric bicycle embodying my new design;
FIG. 2 is a rear elevation view thereof;
FIG. 3 is a right side elevation view thereof;
FIG. 4 is a left side elevation view thereof;
FIG. 5 is a top plan view thereof;
FIG. 6 is a bottom plan view thereof; and,
FIG. 7 is a front and left side perspective view thereof.
The broken lines shown in the figures depict portions of the electric bicycle that form no part of the claimed design.

1 Claim, 7 Drawing Sheets



(56)

References Cited

U.S. PATENT DOCUMENTS

D441,323 S 5/2001 Cheng
 D465,437 S * 11/2002 van der Veer D12/111
 D470,438 S 2/2003 Tatelshi
 D498,438 S * 11/2004 Ying D12/111
 D537,756 S * 3/2007 Kitayama D12/110
 D538,714 S 3/2007 Okuyama
 D543,903 S 6/2007 Kashima
 D546,732 S 7/2007 Chuang
 D578,042 S 10/2008 Yang
 D588,502 S 3/2009 Kume
 D629,721 S * 12/2010 Takeno D12/110
 D632,227 S 2/2011 Lambri
 D644,568 S 9/2011 Maccioni
 D644,961 S 9/2011 Watanabe
 D662,860 S 7/2012 Devemay
 D670,205 S * 11/2012 Takakuwa D12/110
 D678,128 S 3/2013 Lambri
 D679,223 S * 4/2013 Loasby D12/110
 8,505,668 B2 * 8/2013 Iwakami B60K 1/04
 180/220
 D690,235 S * 9/2013 Wu D12/110
 8,738,212 B1 * 5/2014 Schieffelin B62M 6/40
 701/22
 D727,214 S * 4/2015 Yang D12/111
 D730,778 S 6/2015 Hamess
 D730,779 S 6/2015 Arbour
 D731,363 S * 6/2015 Duncan D12/110
 D761,699 S 7/2016 Watanabe
 D774,971 S * 12/2016 Lambri D12/111

D774,972 S * 12/2016 Lambri D12/111
 9,656,672 B2 * 5/2017 Schieffelin B62M 6/45
 D803,948 S 11/2017 Chis
 D806,610 S 1/2018 Su
 D814,978 S 4/2018 Niu
 D829,131 S * 9/2018 Schieffelin D12/111
 D833,333 S * 11/2018 Yu D12/111
 D838,212 S 1/2019 David
 D843,269 S * 3/2019 Shi D12/111
 D849,601 S 5/2019 Li
 D856,853 S 8/2019 Luke
 D874,984 S 2/2020 Luke
 D903,532 S * 12/2020 Ma D12/111
 D910,494 S 2/2021 Kobayashi
 D910,497 S 2/2021 Sun
 2011/0046831 A1 2/2011 Ananthakrishna
 2016/0207589 A1 * 7/2016 Tsuchizawa B62M 6/55

FOREIGN PATENT DOCUMENTS

CN 201730363972 8/2017
 KR 3020170034816 7/2017

OTHER PUBLICATIONS

“Segway eMoped C80”, retrieved Mar. 10, 2021; <https://store.segway.com/segway-emoped-c80> (posted Sep. 10, 2019).
 “Xiaomi’s Cute Electric Moped”, retrieved Mar. 10, 2021; <https://www.zigwheels.com/news-features/news/xiaomi-a-1-e-bike-unveiled-in-china-cheaper-than-oneplus-7/38034> (posted Mar. 30, 2020).

* cited by examiner

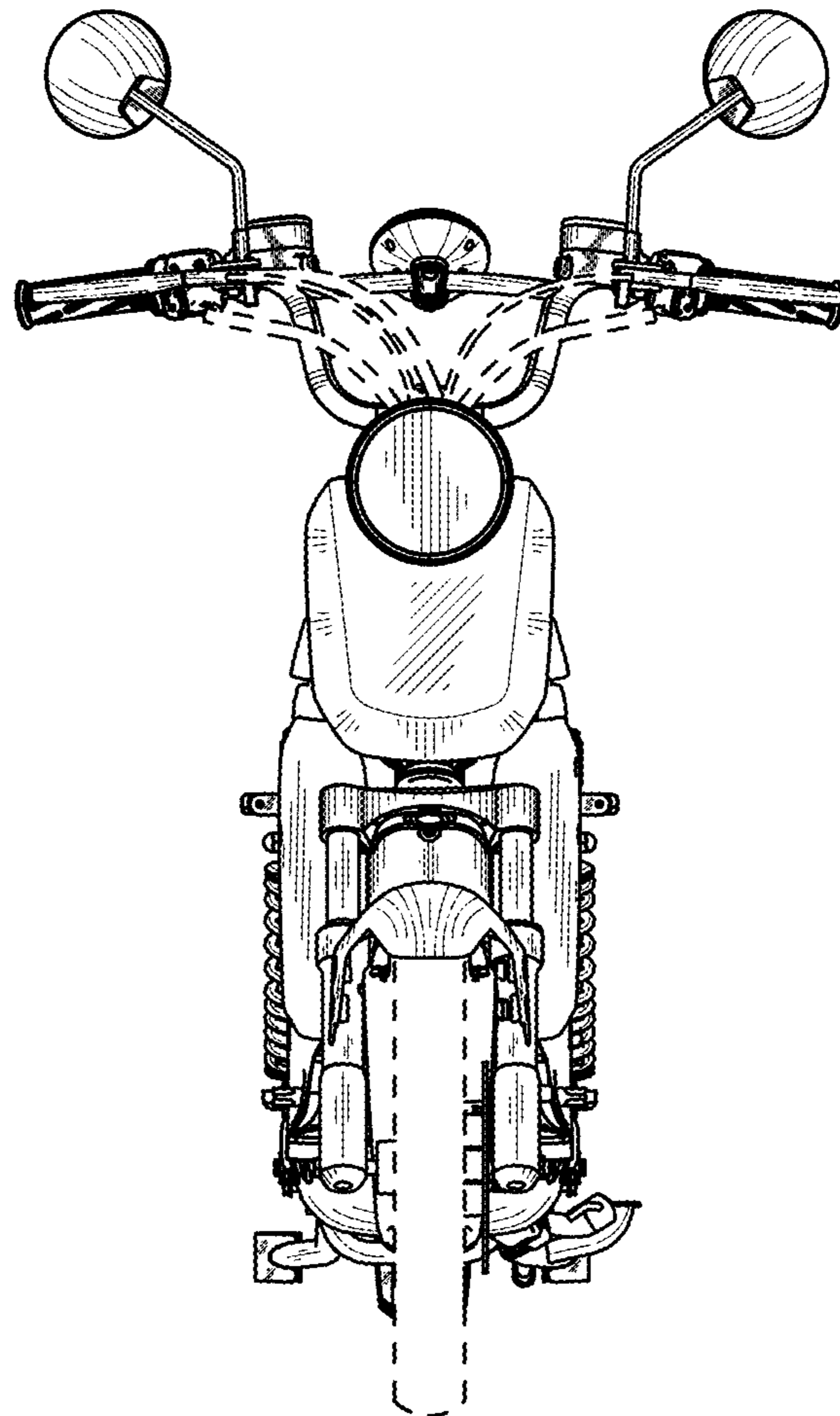


FIG. 1

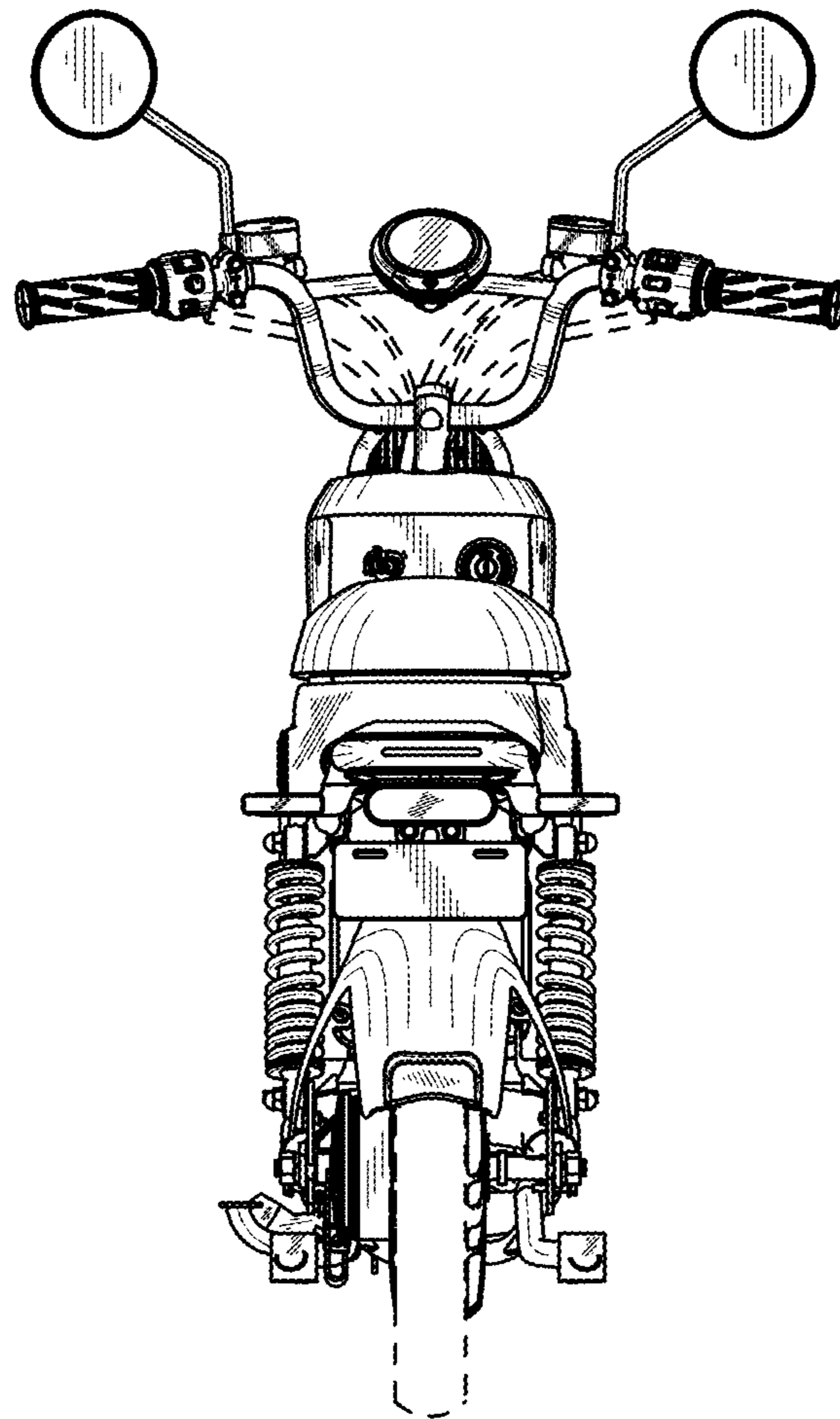


FIG. 2

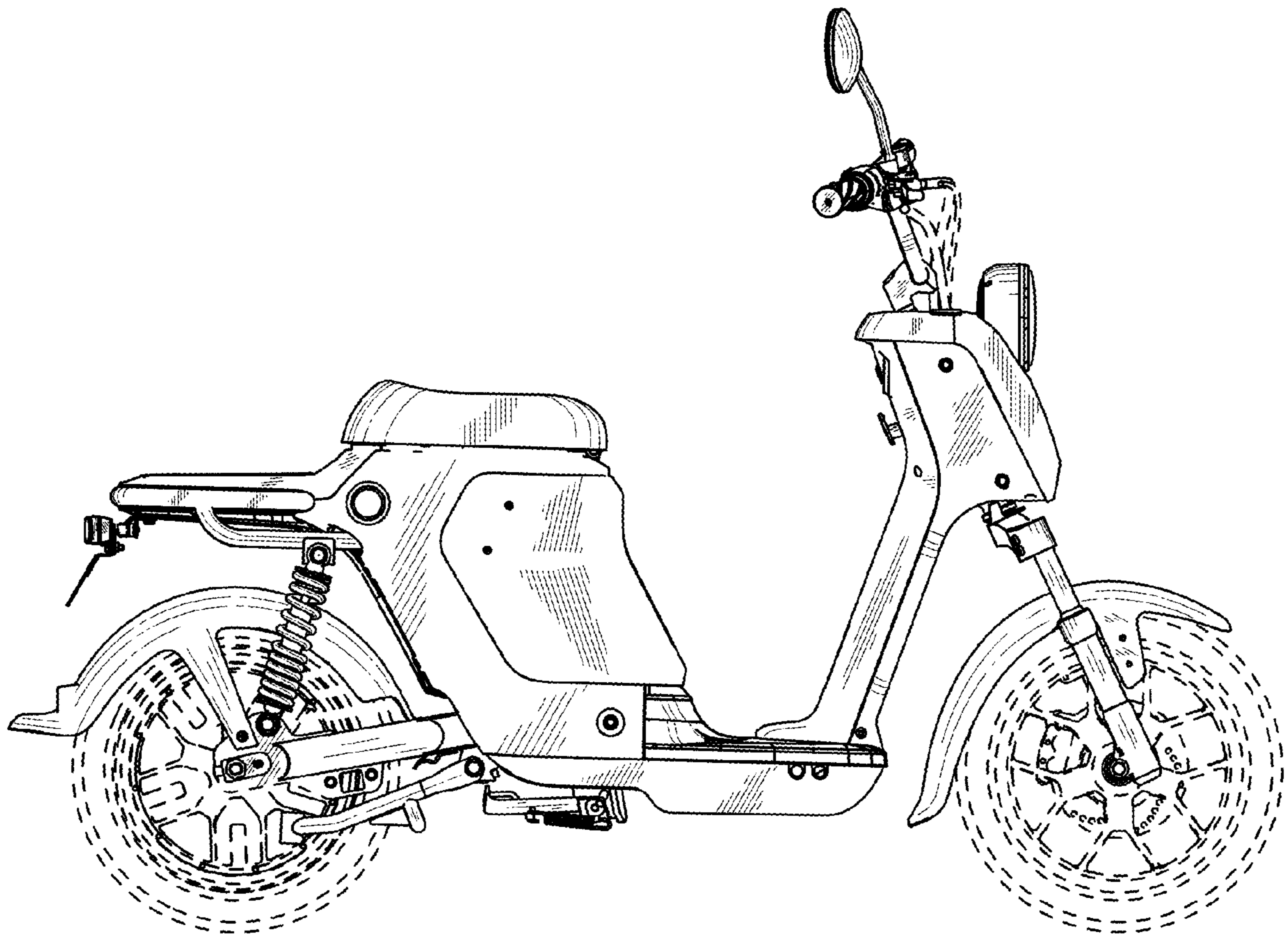


FIG. 3

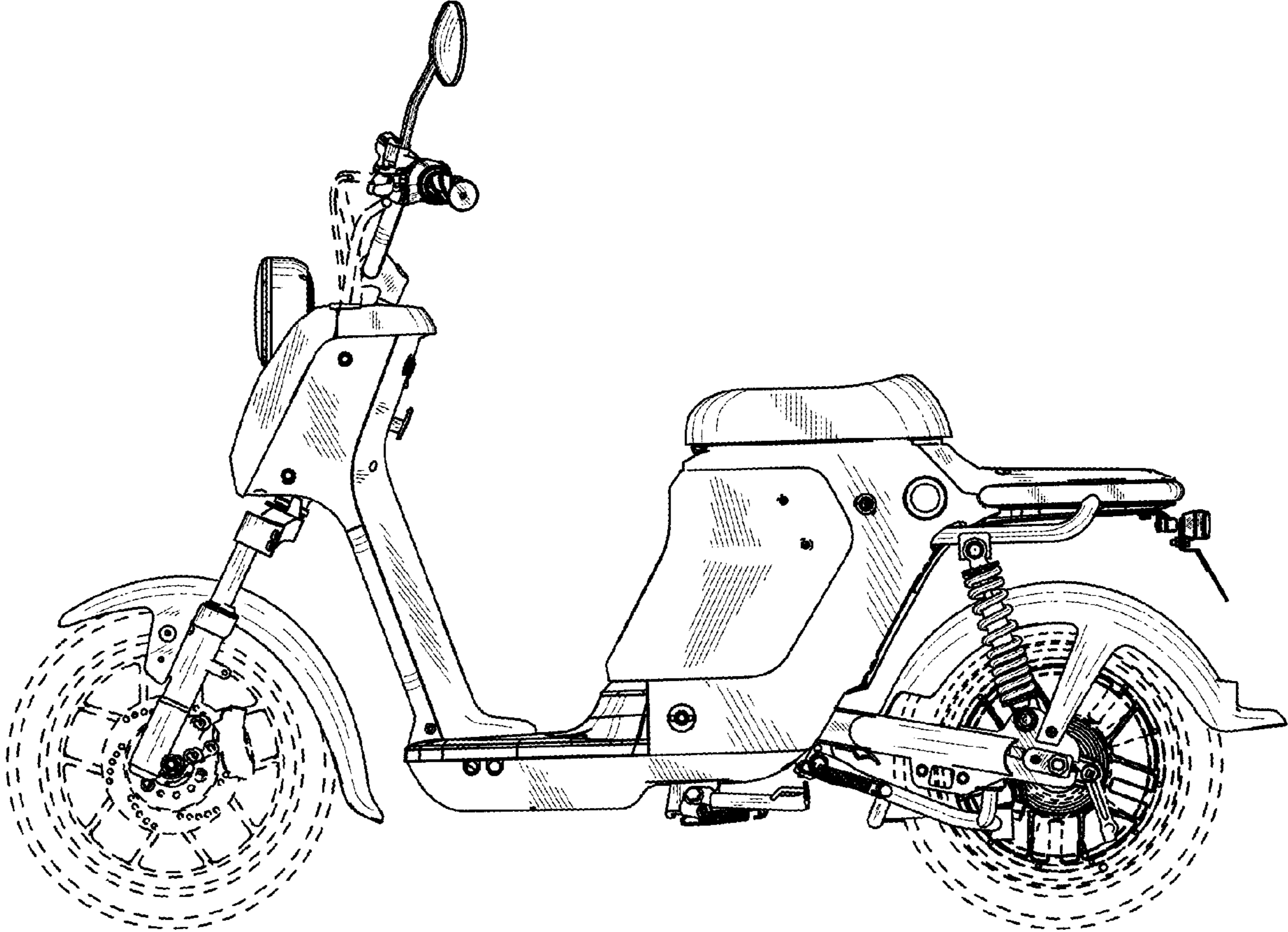


FIG.4

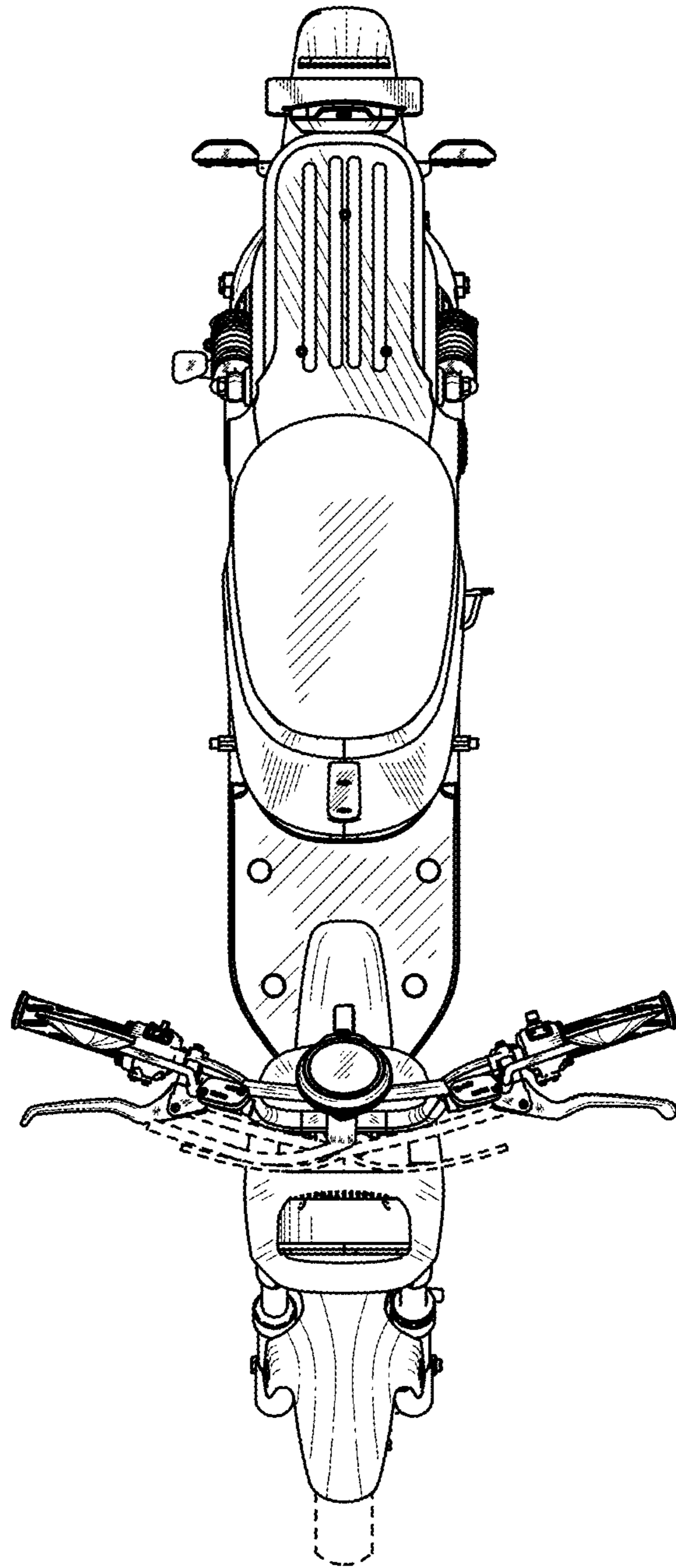


FIG.5

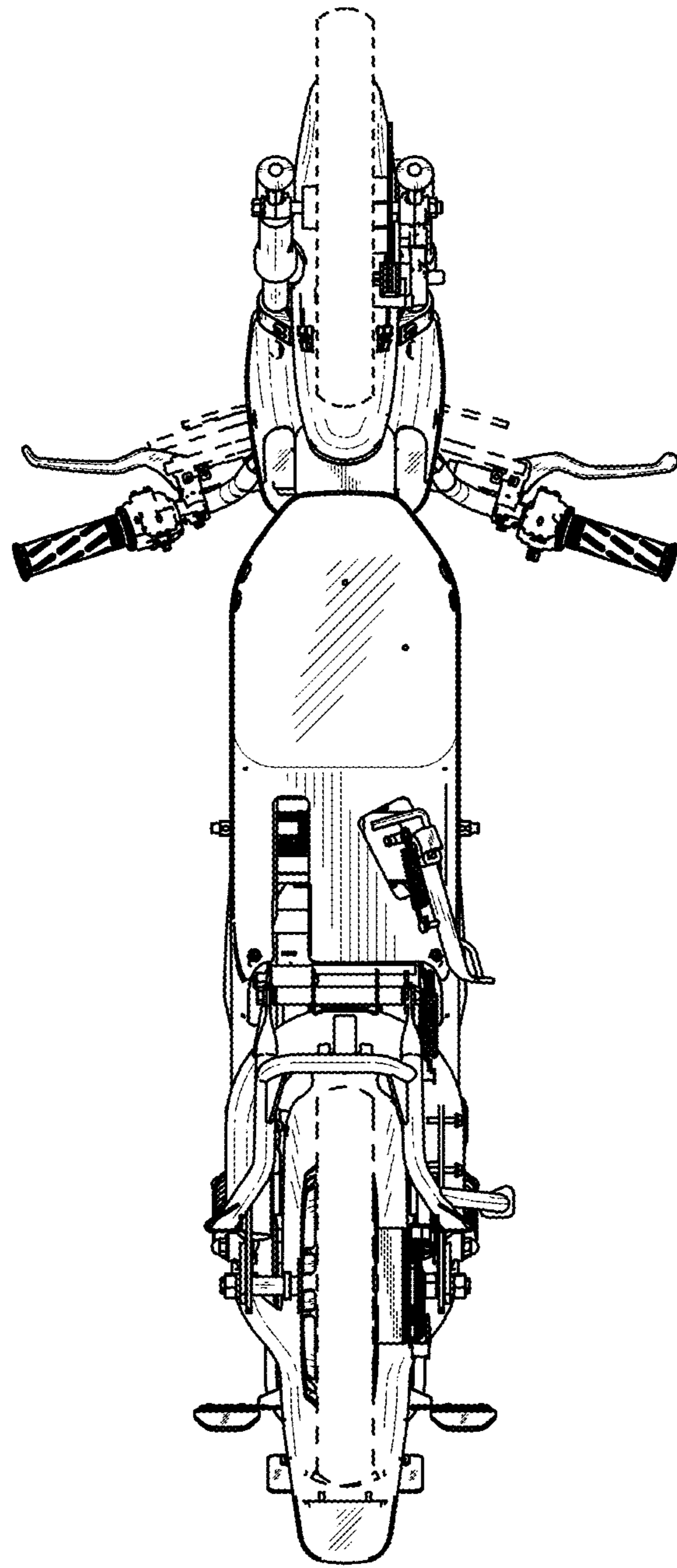


FIG.6



FIG. 7