



US00D934120S

(12) **United States Design Patent**  
**Zhu**

(10) **Patent No.:** **US D934,120 S**

(45) **Date of Patent:** **\*\* Oct. 26, 2021**

(54) **ELECTRIC BIKE**

(71) Applicant: **Zake IP Holding, LLC**, South Bend, IN (US)

(72) Inventor: **Johnny Zhu**, South Bend, IN (US)

(73) Assignee: **Zake IP Holding, LLC**, South Bend, IN (US)

(\*\*) Term: **15 Years**

(21) Appl. No.: **29/686,116**

(22) Filed: **Apr. 2, 2019**

(51) **LOC (13) Cl.** ..... **12-11**

(52) **U.S. Cl.**  
USPC ..... **D12/111**

(58) **Field of Classification Search**  
USPC ..... D12/107, 110, 111, 112, 114, 117, 126,  
D12/122, 119

(Continued)

(56) **References Cited**

**U.S. PATENT DOCUMENTS**

4,634,138 A \* 1/1987 Fryer ..... B62K 15/008  
280/278

D472,851 S \* 4/2003 Tajima ..... D12/110  
(Continued)

**FOREIGN PATENT DOCUMENTS**

CN 201630197100 \* 5/2016  
CN 201730026024 \* 1/2017

(Continued)

**OTHER PUBLICATIONS**

Youtube, Swagtron EB-7 Full Review—Best Value for Money E-bike, posted Nov. 18, 2018, [online], [visited Jun. 22, 2021]. Internet, <URL: <https://www.youtube.com/watch?v=36eGZSi8FsU>> (Year: 2018).\*

(Continued)

*Primary Examiner* — Sheryl Lane

*Assistant Examiner* — Samantha N Wood

(74) *Attorney, Agent, or Firm* — ScienBiziP, P.C.

(57) **CLAIM**

The ornamental design for an electric bike, as shown and described.

**DESCRIPTION**

FIG. 1 is a first perspective view of an electric bike, showing my design.

FIG. 2 is a second perspective view thereof.

FIG. 3 is a front elevation view thereof.

FIG. 4 is a rear elevation view thereof.

FIG. 5 is a left side elevation view thereof.

FIG. 6 is a right side elevation view thereof.

FIG. 7 is a top plan view thereof.

FIG. 8 is a bottom plan view thereof.

FIG. 9 is an enlarged view of a circle labeled 9 in FIG. 1 of the electric bike.

FIG. 10 is an enlarged view of a circle labeled 10 in FIG. 1 of the electric bike.

FIG. 11 is an enlarged view of a circle labeled 11 in FIG. 1 of the electric bike.

FIG. 12 is an enlarged view of a circle labeled 12 in FIG. 2 of the electric bike.

FIG. 13 is an enlarged view of a circle labeled 13 in FIG. 2 of the electric bike.

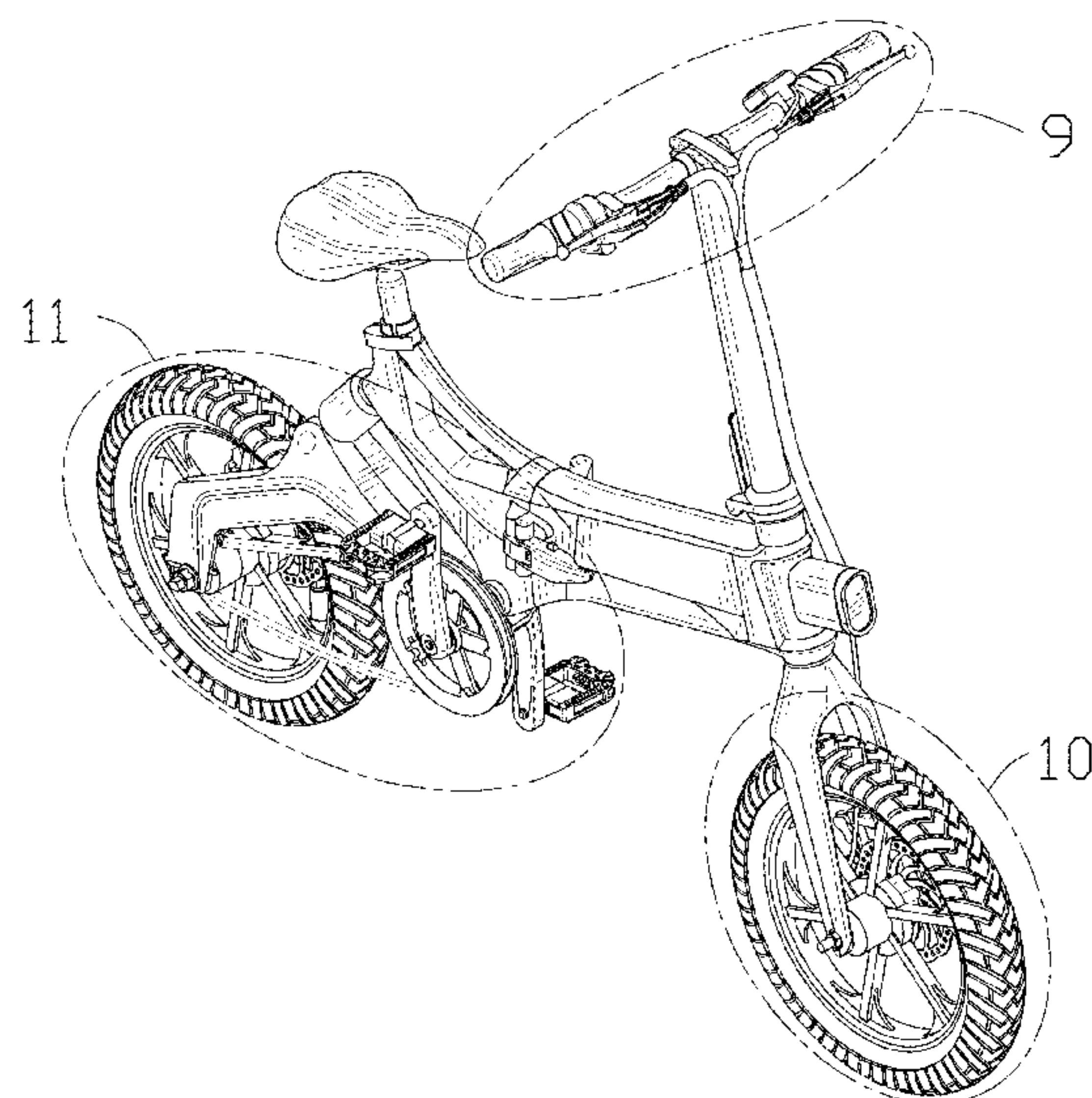
FIG. 14 is an enlarged view of a circle labeled 14 in FIG. 2 of the electric bike.

FIG. 15 is an enlarged view of a circle labeled 15 in FIG. 5 of the electric bike; and,

FIG. 16 is an enlarged view of a circle labeled 16 in FIG. 6 of the electric bike.

The broken lines are for environmental structure or boundaries only and form no part of the claimed designs to be patented.

**1 Claim, 16 Drawing Sheets**



(58) **Field of Classification Search**

CPC ..... B62K 11/00; B62K 11/02; B62K 11/04;  
B62K 11/06; B62K 11/08; B62K 11/10;  
B62K 11/12; B62K 11/14; B62K 3/00;  
B62K 3/02; B62K 3/04; B62K 3/14;  
B62K 15/00; B62K 15/006; B62K  
2015/001; B62K 2015/003; B62K  
2015/005

See application file for complete search history.

(56) **References Cited**

U.S. PATENT DOCUMENTS

D487,234 S \* 3/2004 Chen ..... D12/111  
D498,438 S \* 11/2004 Ying ..... D12/111  
D670,208 S \* 11/2012 Frenzel ..... D12/111  
D694,156 S \* 11/2013 Taipalus ..... D12/111  
D807,233 S \* 1/2018 Zhang ..... D12/111  
D843,269 S \* 3/2019 Shi ..... D12/111

FOREIGN PATENT DOCUMENTS

CN 201730390618 \* 8/2017  
CN 201830173252 \* 4/2018  
DE 102014222149 A1 \* 5/2016 ..... B62K 15/008  
WO WO-D102244-001 \* 7/2018

OTHER PUBLICATIONS

Amazon, Swagtron Swacycle EB-7 Elite Folding Electric Bike, posted Oct. 11, 2018, [online], [visited Jun. 22, 2021]. Internet, <URL: <https://www.amazon.com/Swagtron-Swagcycle-Elite-Folding-Electric/dp/B07SGPH133>> (Year: 2018).\*

Amazon, Nilox E Bike X4, posted May 11, 2018, [online], [visited Jun. 22, 2021]. Internet, <URL: <https://www.amazon.co.uk/Nilox-Bike-Folding-Bike-Black/dp/B07CZS1T2N/ref>> (Year: 2018).\*

\* cited by examiner

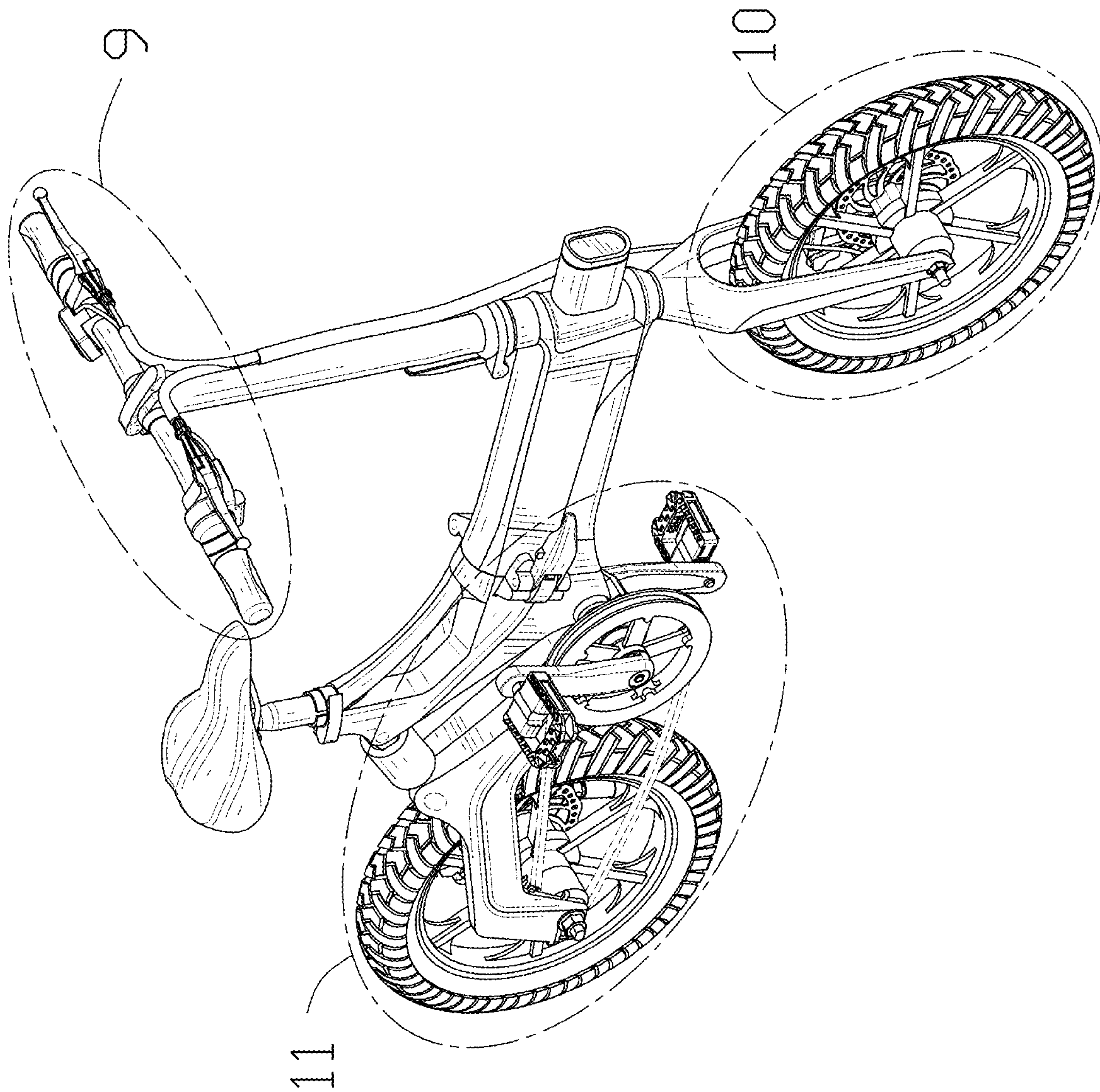


FIG. 1



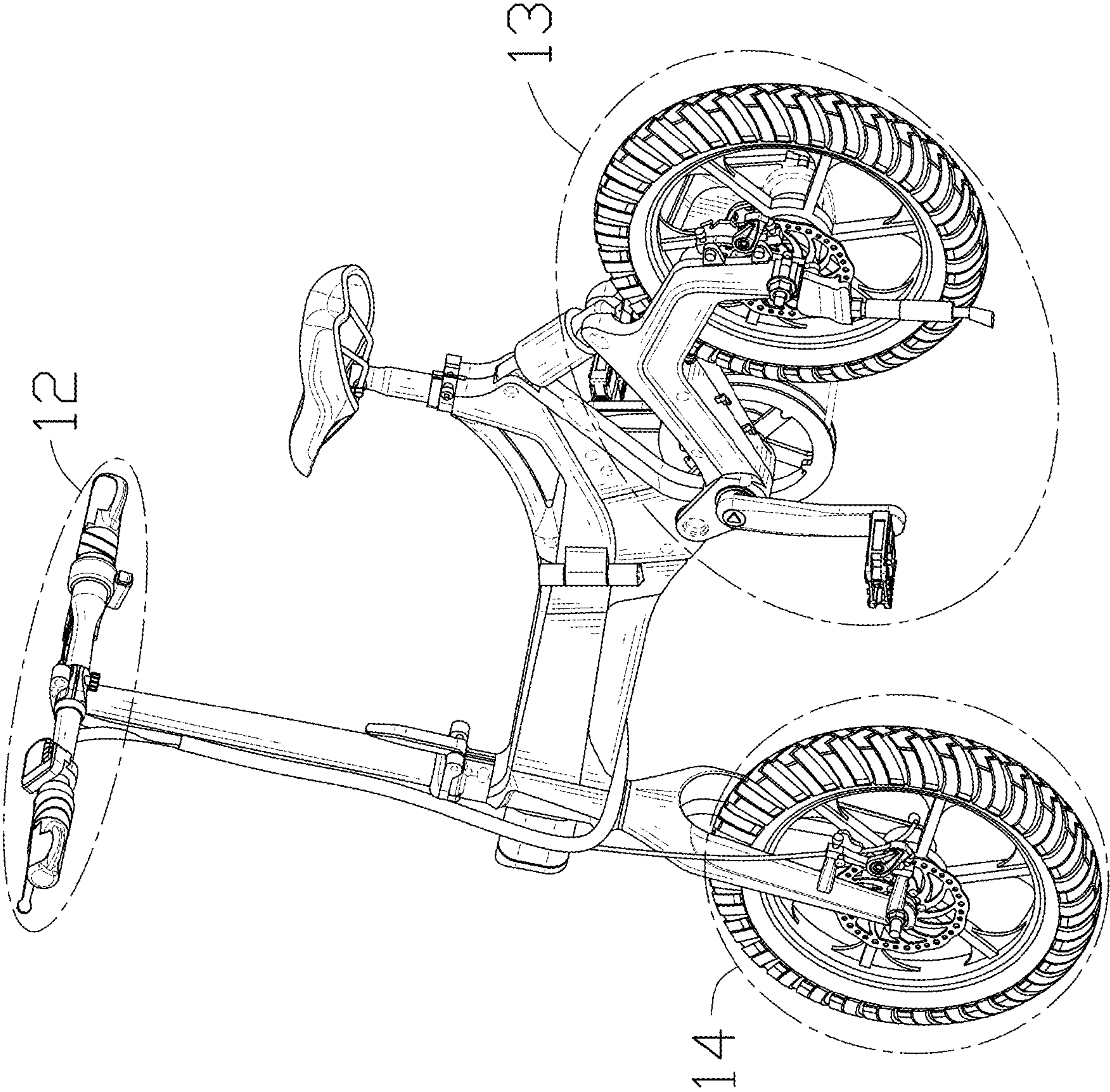


FIG. 2

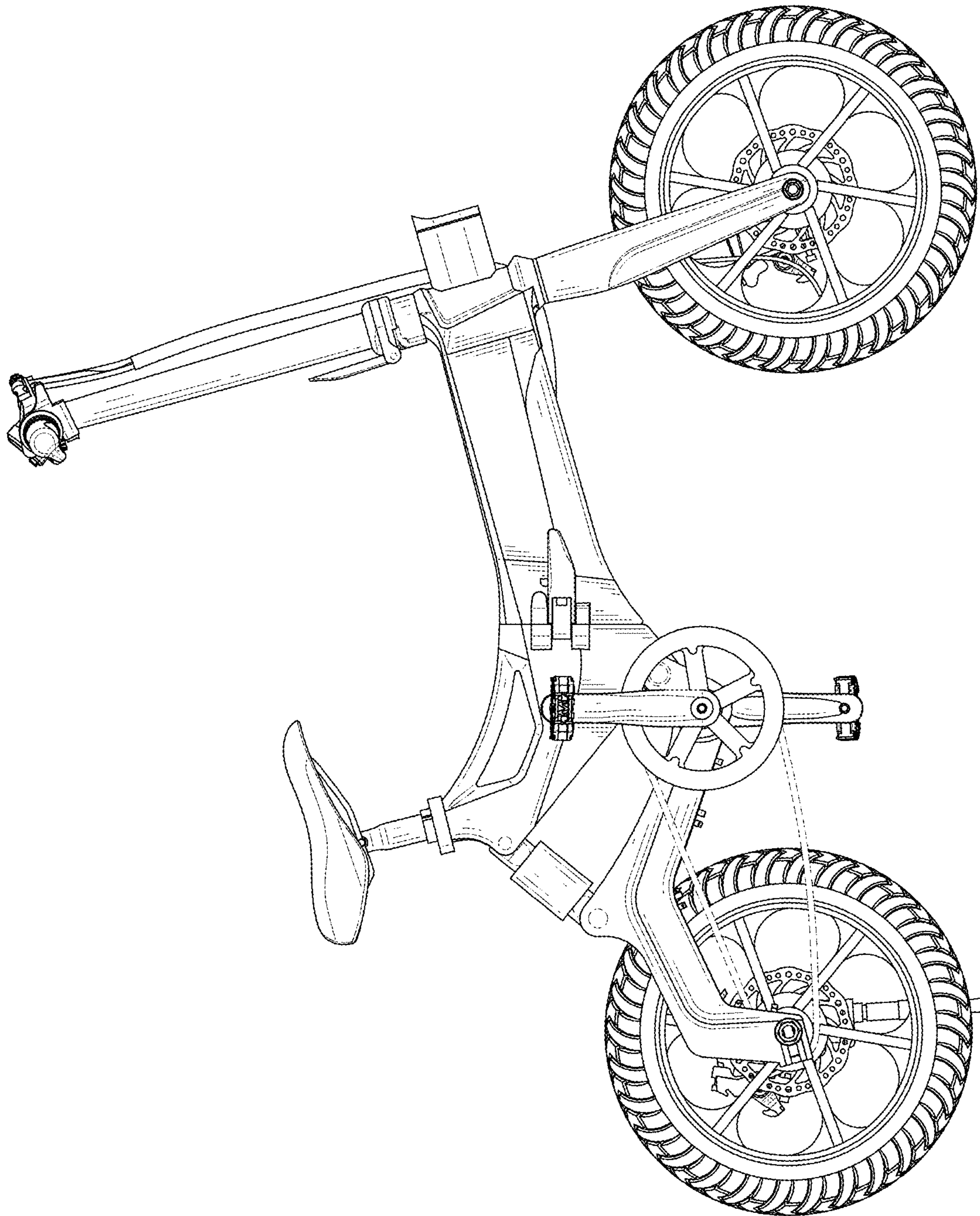


FIG. 3



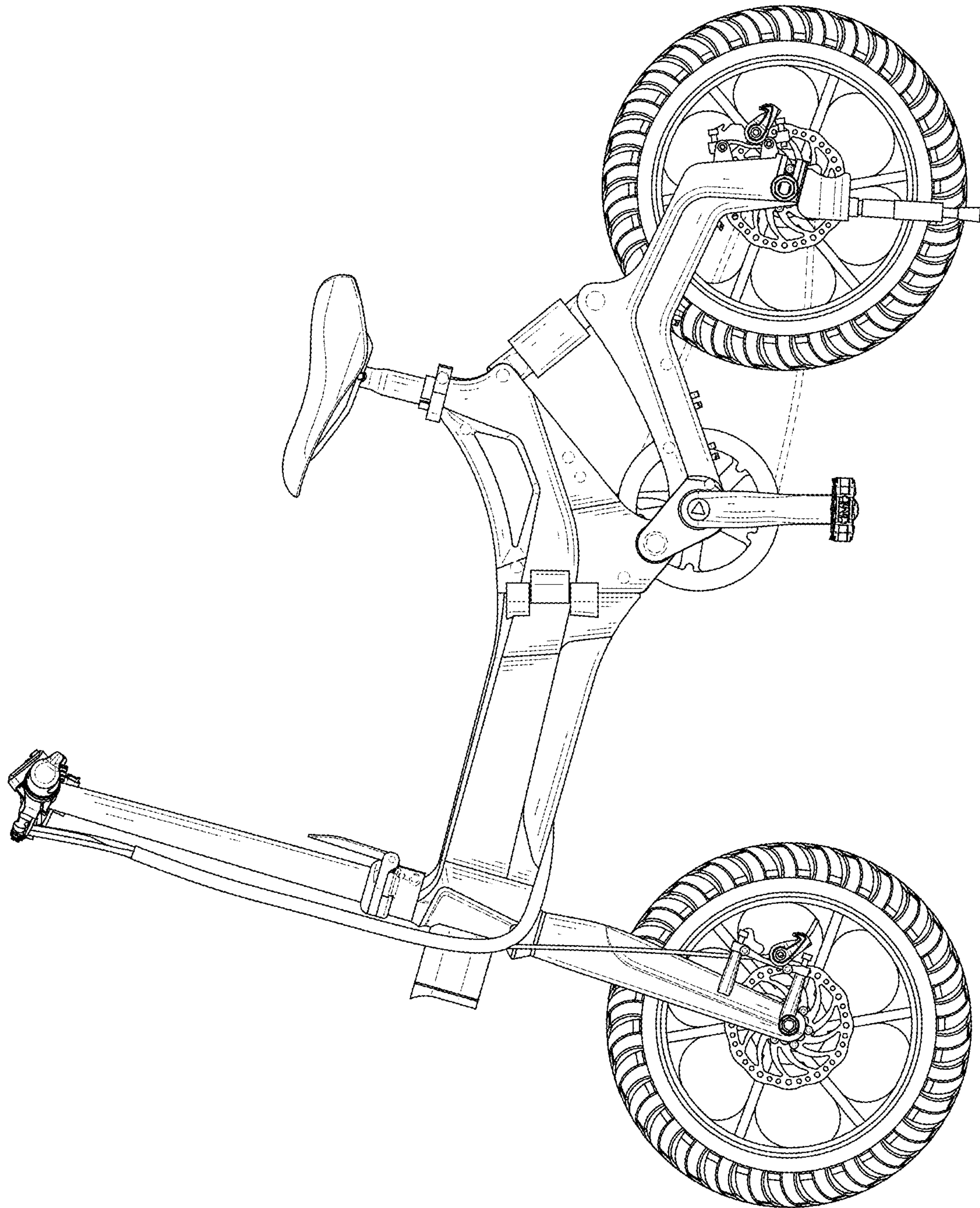


FIG. 4

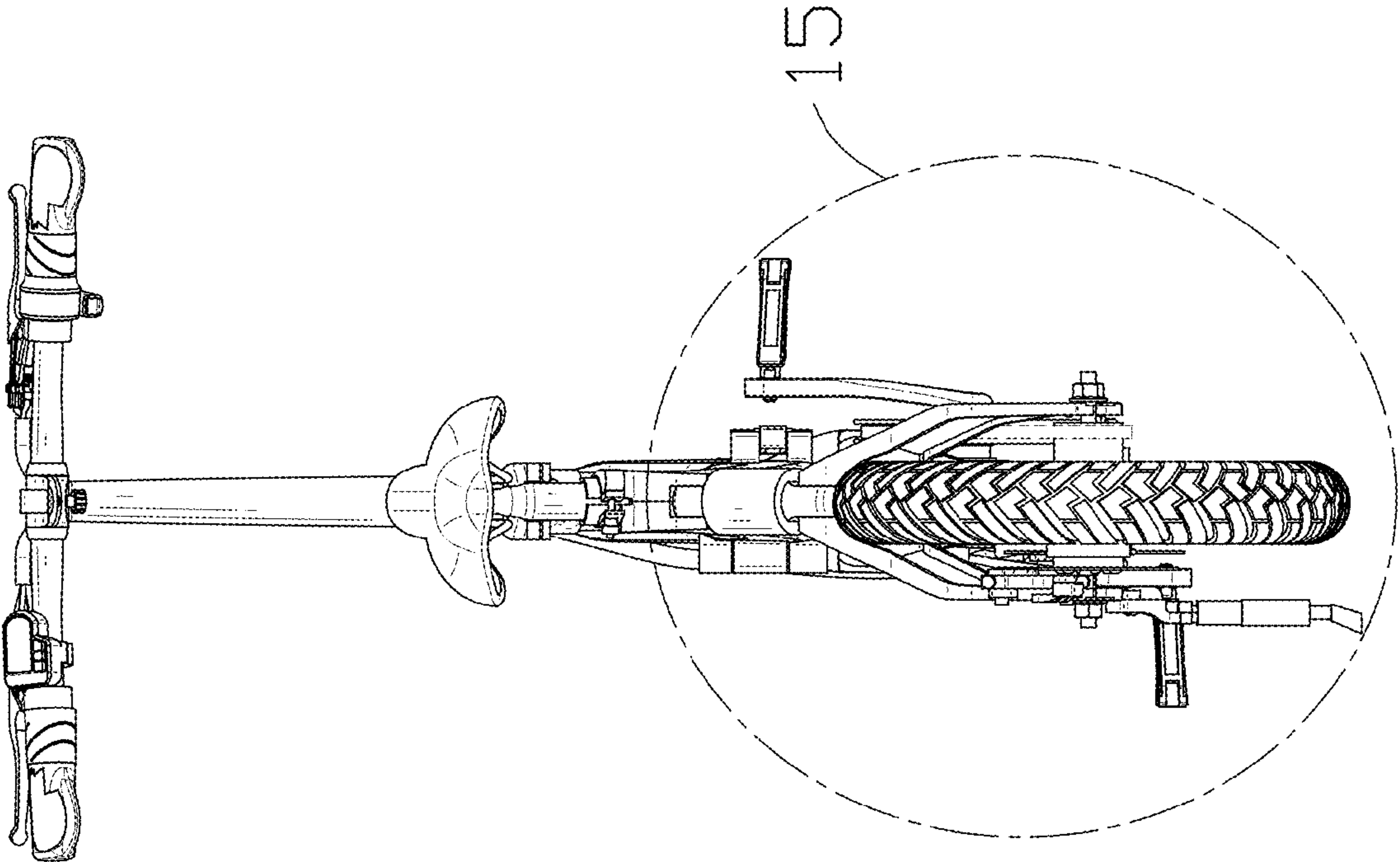


FIG. 5

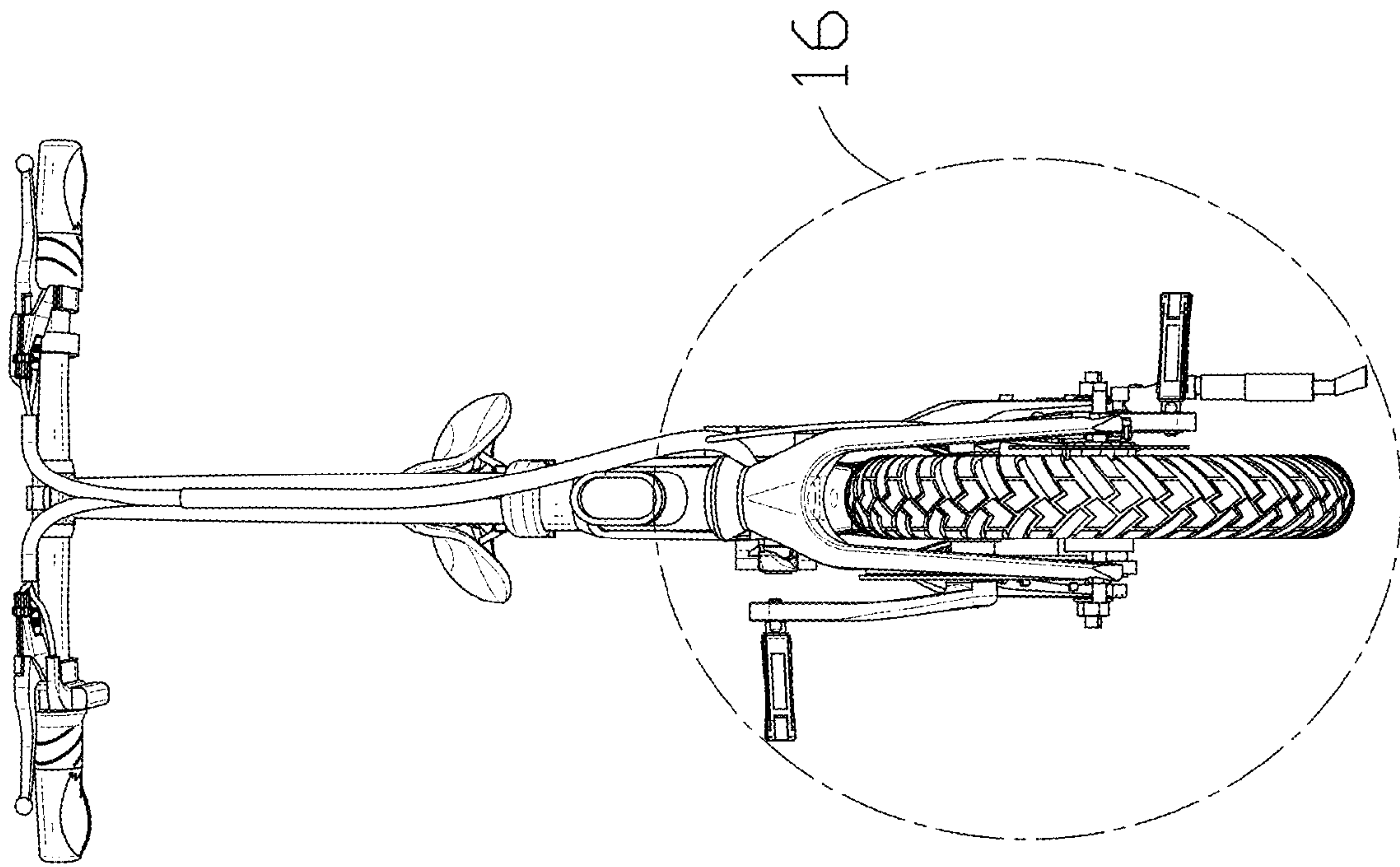


FIG. 6



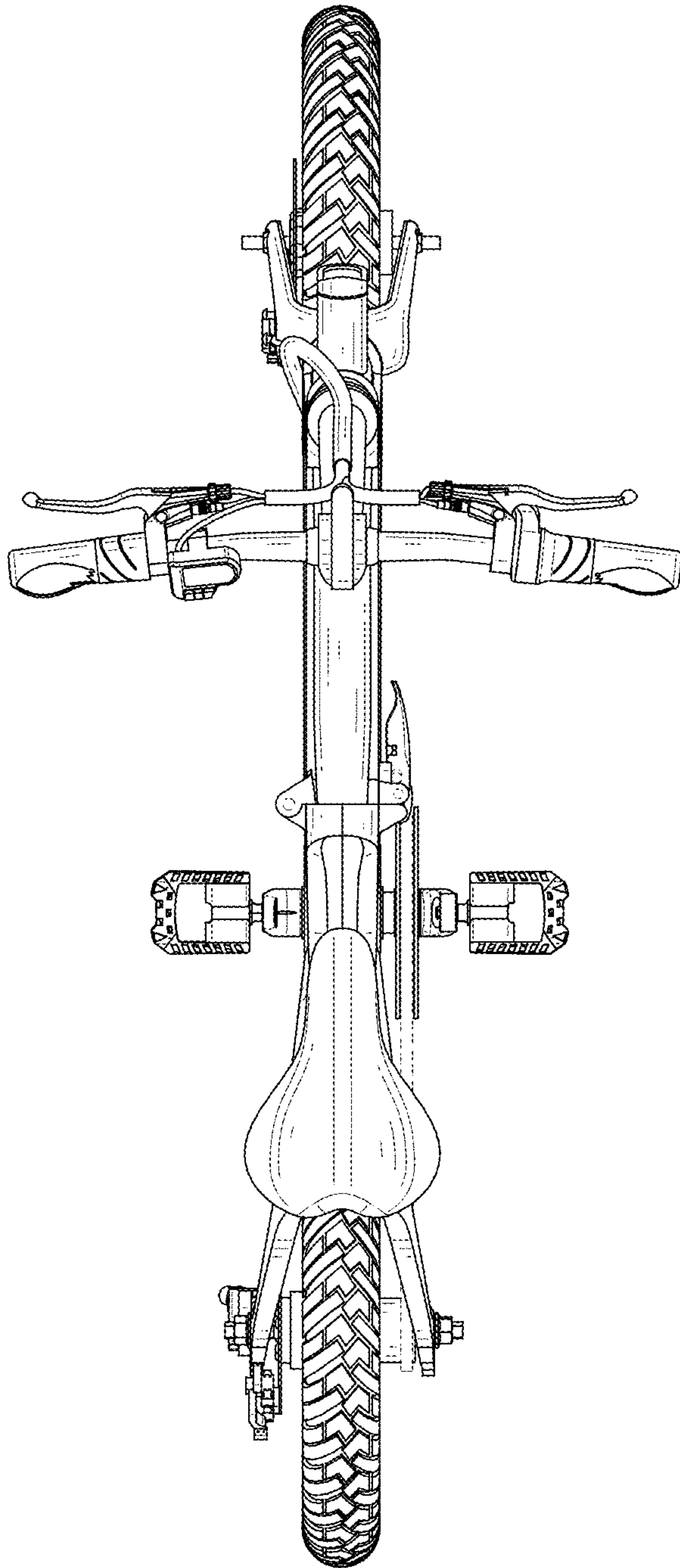


FIG. 7

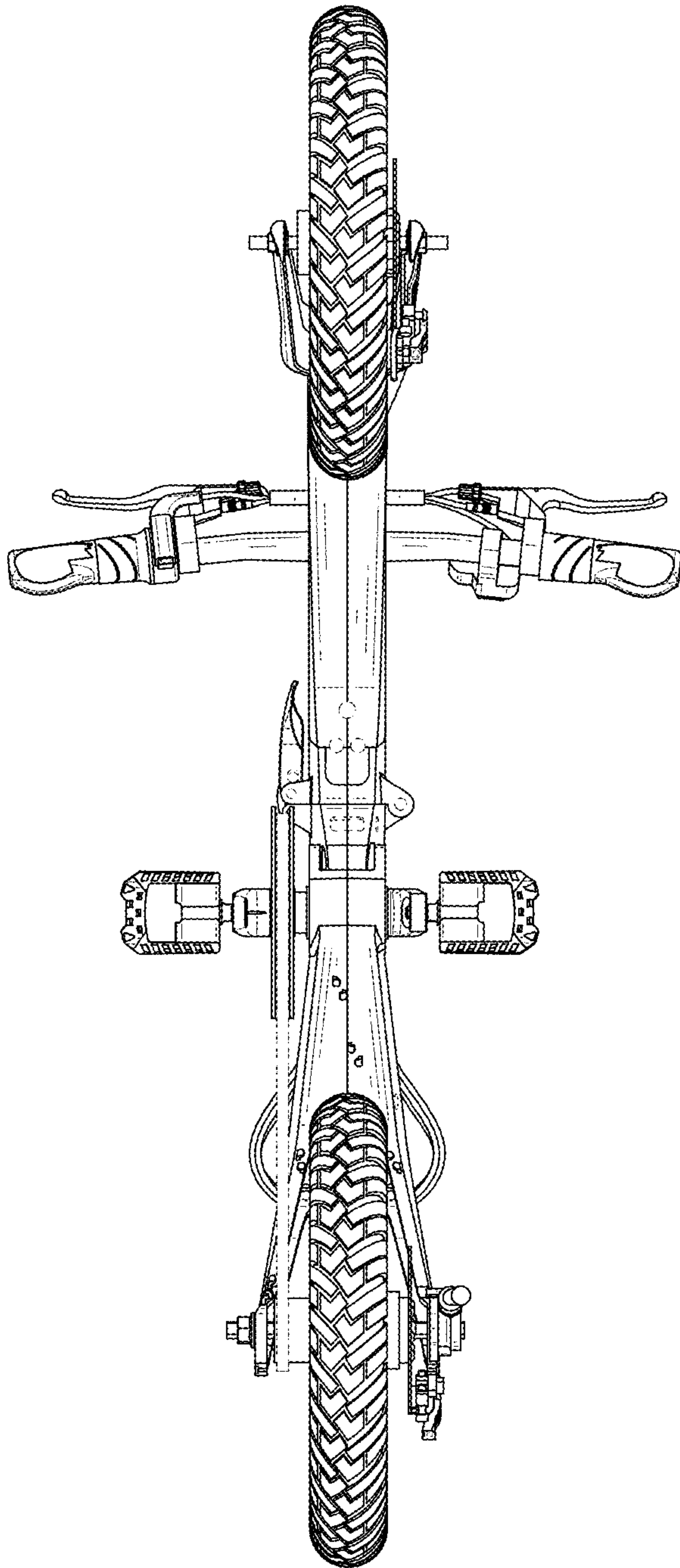


FIG. 8

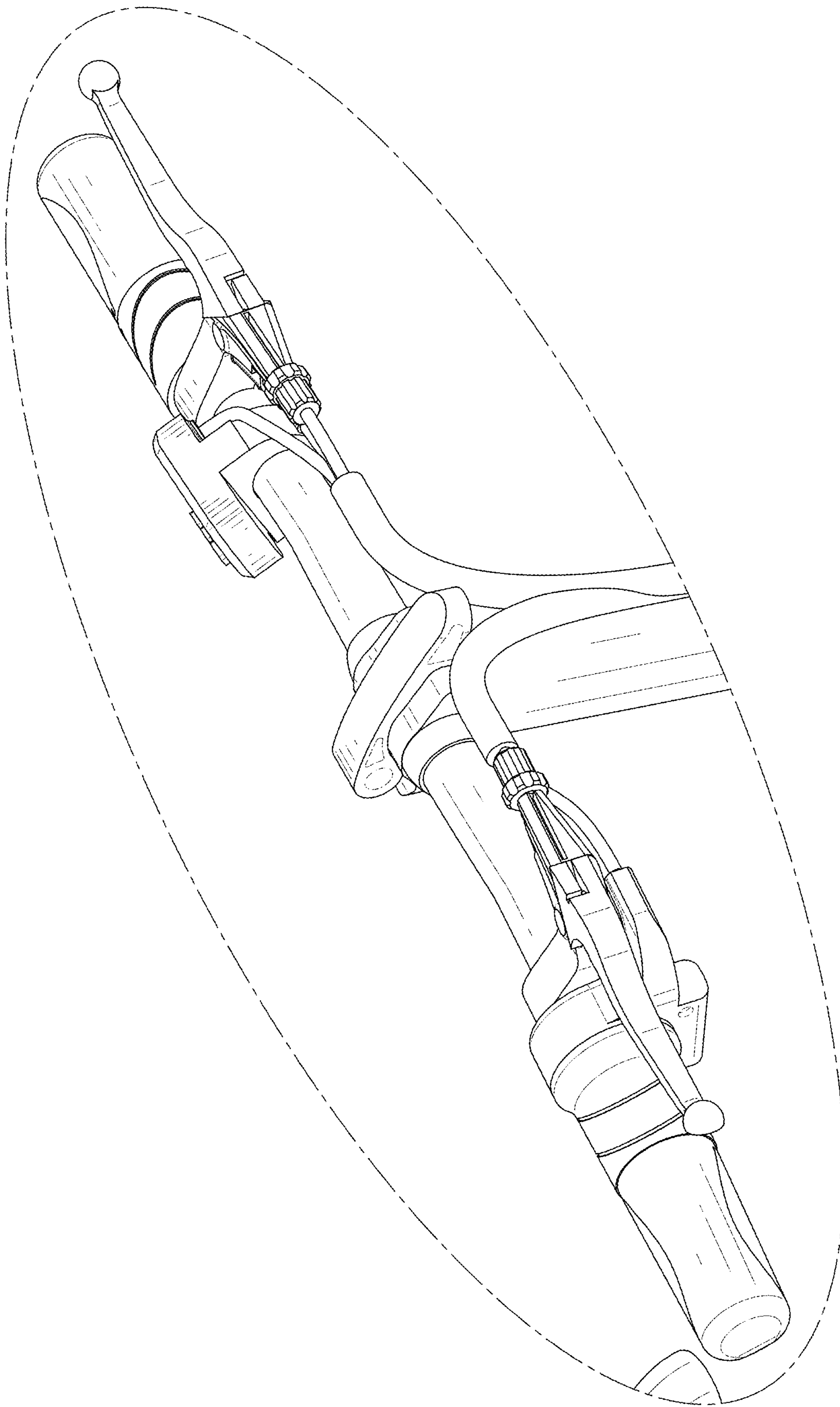


FIG. 9



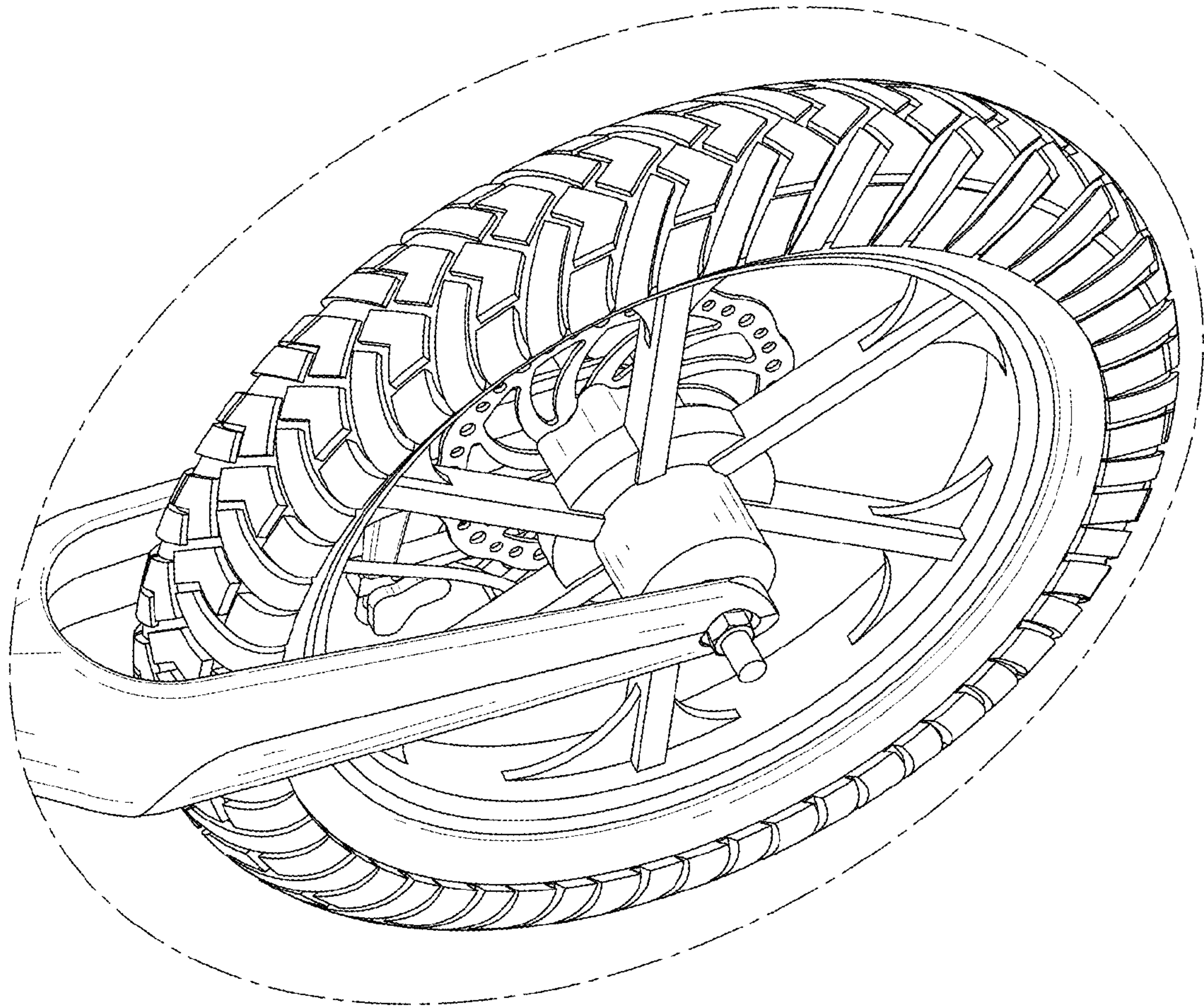


FIG. 10

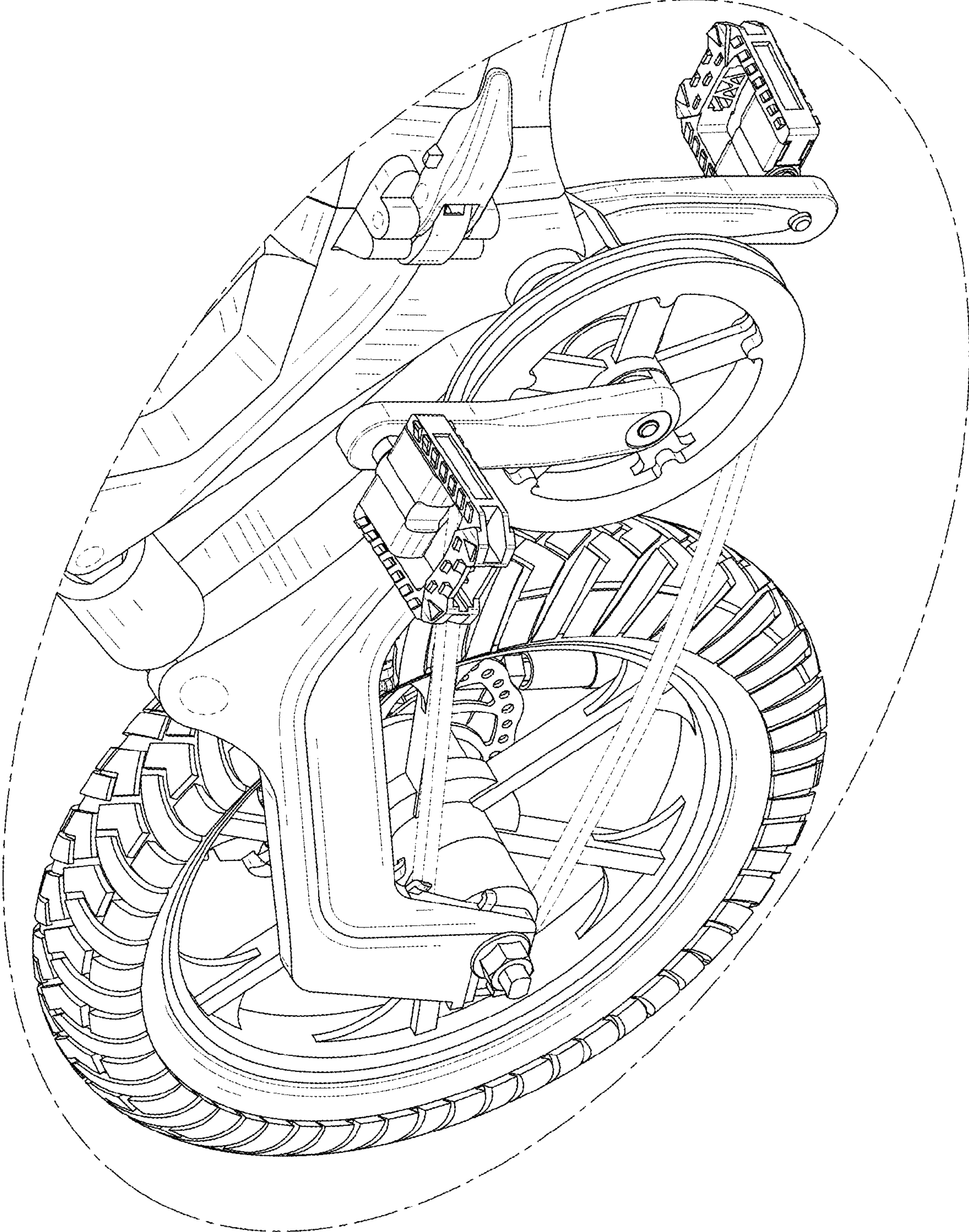


FIG. 11

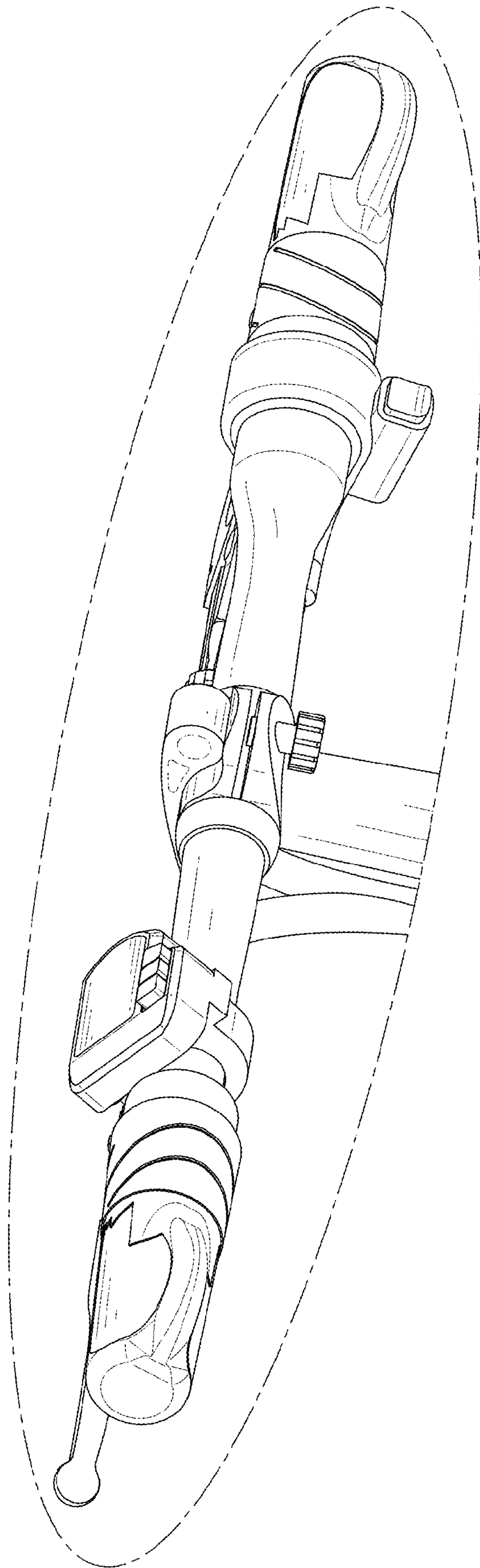


FIG. 12



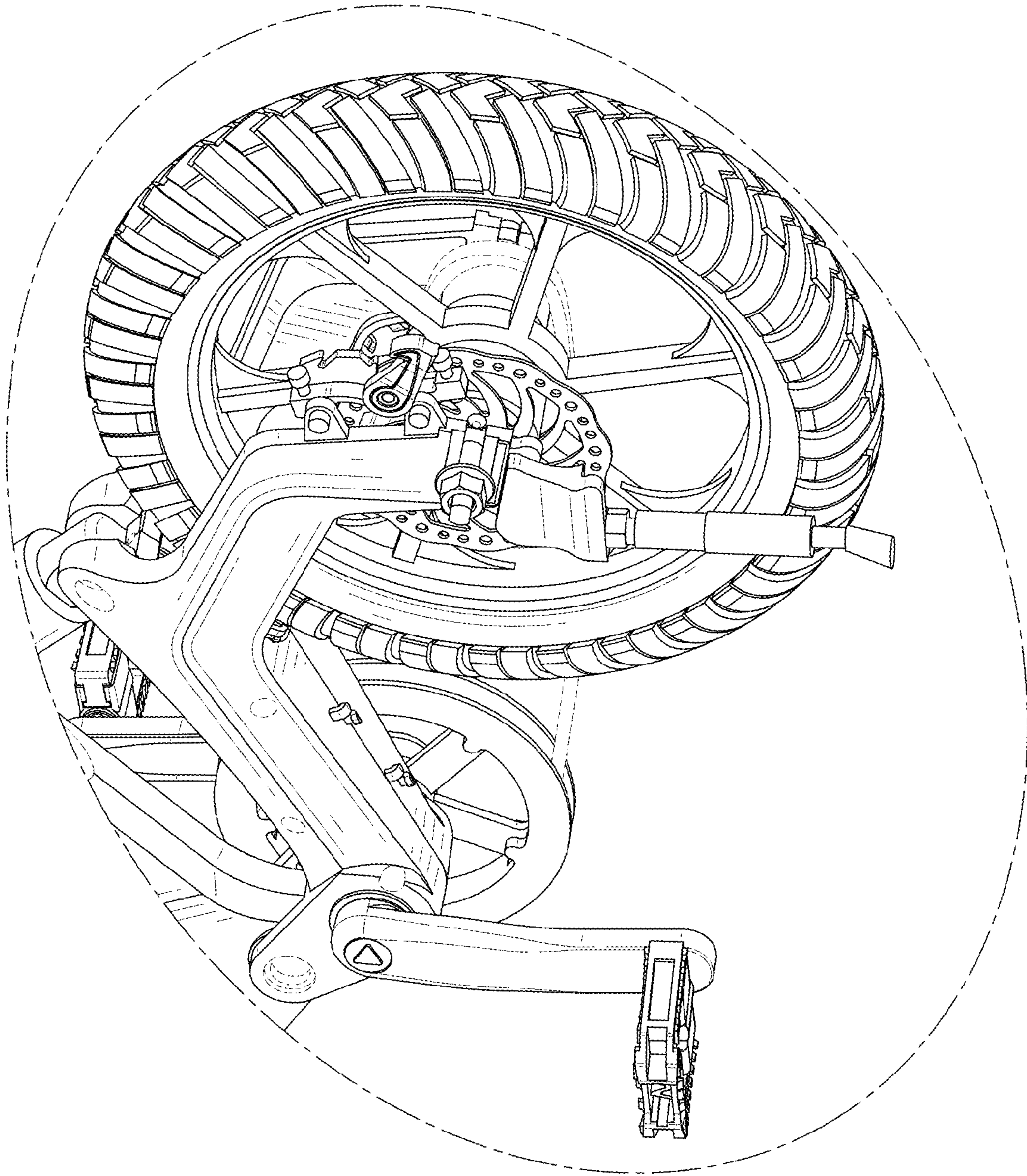


FIG. 13

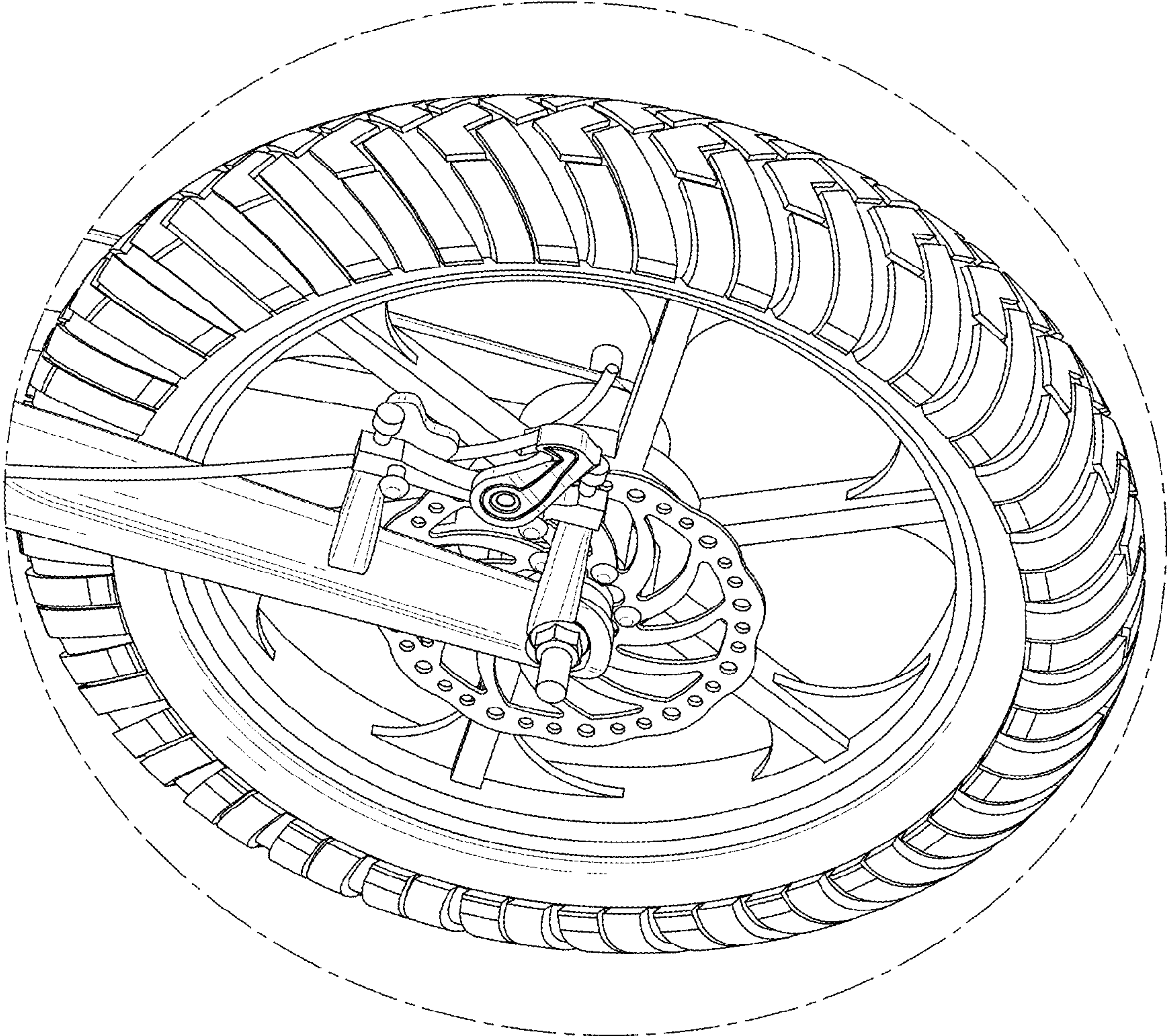


FIG. 14



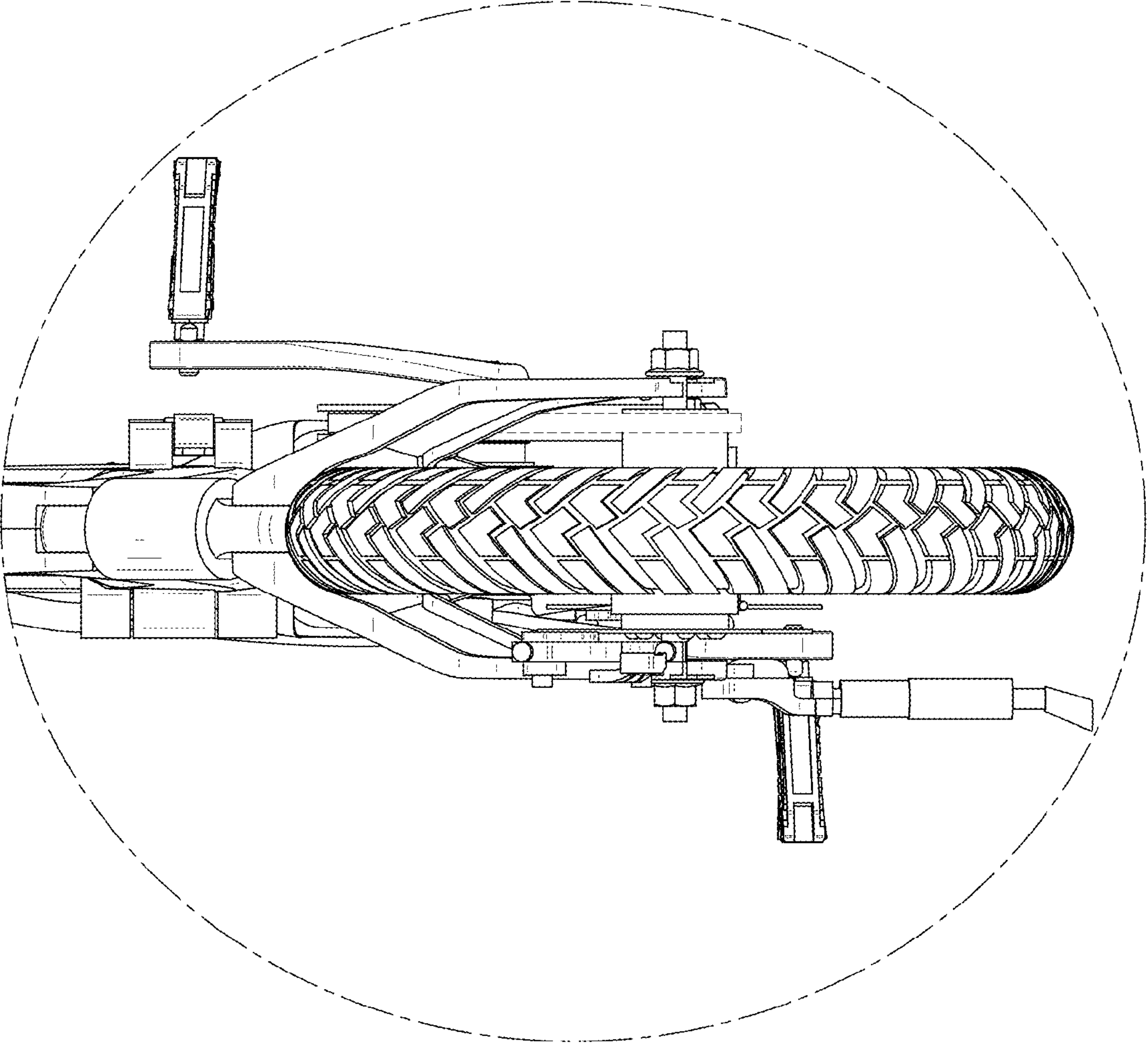


FIG. 15



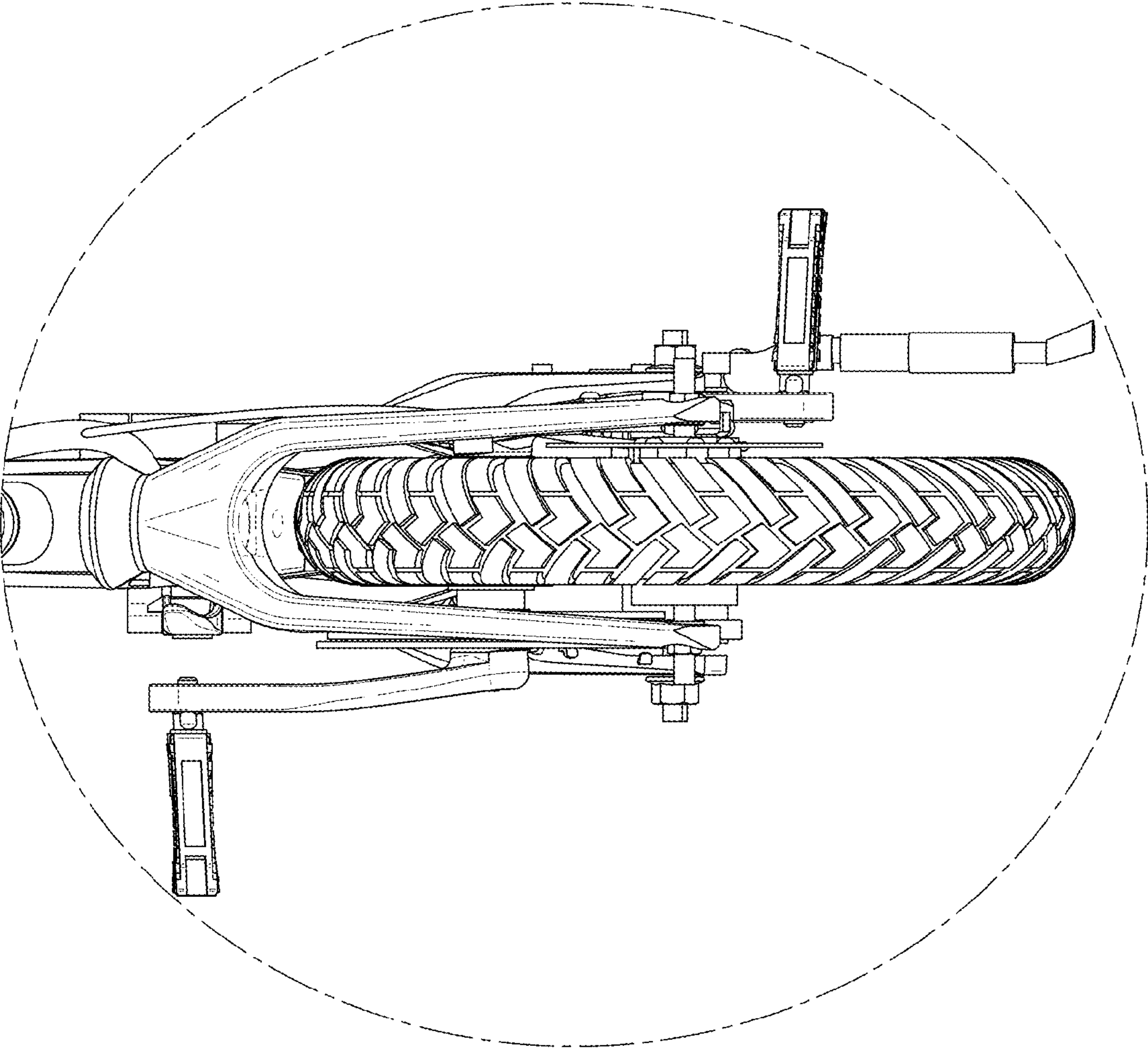


FIG. 16