



US00D934118S

(12) **United States Design Patent** (10) **Patent No.:** **US D934,118 S**
Schroeder et al. (45) **Date of Patent:** **** Oct. 26, 2021**

(54) **FOUR-WHEELED VEHICLE OR
FOUR-WHEELED VEHICLE REPLICA**

FOREIGN PATENT DOCUMENTS

(71) Applicant: **Honda Motor Co., Ltd.**, Tokyo (JP)

CN 306284100 * 1/2021

(72) Inventors: **Anthony Schroeder**, Raymond, OH (US); **Jason Leroy Martin**, Raymond, OH (US)

OTHER PUBLICATIONS

(73) Assignee: **HONDA MOTOR CO., LTD.**, Tokyo (JP)

“2020 Pioneer 700” Honda., posted date Nov. 2, 2020 [online], [retrieved on Jul. 14, 2021]. Retrieved from the Internet <URL: <https://powersports.honda.com/sxs/recutility/pioneer-700?year=2020>> (Year: 2020).*

(**) Term: **15 Years**

(Continued)

(21) Appl. No.: **29/751,737**

Primary Examiner — Darlington Ly

(22) Filed: **Sep. 23, 2020**

Assistant Examiner — Nasim Abdulaziz Ali

(51) **LOC (13) Cl.** **12-11**

(74) *Attorney, Agent, or Firm* — Westerman, Hattori, Daniels & Adrian, LLP

(52) **U.S. Cl.**

USPC **D12/107; D12/87**

(58) **Field of Classification Search**

USPC **D12/3, 86, 87, 107, 110**

CPC **B60K 5/12; B60K 13/04; B60K 17/354**

See application file for complete search history.

(57) **CLAIM**

The ornamental design for a four-wheeled vehicle or four-wheeled vehicle replica, as shown and described.

(56) **References Cited**

DESCRIPTION

U.S. PATENT DOCUMENTS

D593,003 S *	5/2009	Sanschagr	D12/107
D593,454 S *	6/2009	Sanschagr	D12/107
D594,388 S *	6/2009	Sanschagr	D12/107
D606,900 S *	12/2009	Flores	D12/87
D657,720 S *	4/2012	Eck	D12/107
D665,309 S *	8/2012	Lepine	D12/107
D665,312 S *	8/2012	Lepine	D12/126
D701,143 S *	3/2014	Shan	D12/87
D722,927 S *	2/2015	Schroeder	D12/171
D727,807 S *	4/2015	Schroeder	D12/173
D756,845 S *	5/2016	Flores	D12/87
D805,009 S *	12/2017	Eck	D12/171
9,873,316 B2 *	1/2018	Lovold	B62K 5/01
D862,286 S *	10/2019	Flores	D12/87
D866,402 S *	11/2019	Wang	D12/107

FIG. 1 is a front and right side perspective view of four-wheeled vehicle or four-wheeled vehicle replica, showing our new design;

FIG. 2 is a rear and left side perspective view thereof;

FIG. 3 is a front and left side perspective view thereof;

FIG. 4 is a rear and right side perspective view thereof;

FIG. 5 is a front elevational view thereof;

FIG. 6 is a rear elevational view thereof;

FIG. 7 is a top plan view thereof;

FIG. 8 is a bottom plan view thereof;

FIG. 9 is a left side elevational view thereof; and,

FIG. 10 is a right side elevational view thereof.

The portions of the four-wheeled vehicle or four-wheeled vehicle replica that are shown ghosted or in a light tonal contrast do not form part of the claimed design.

(Continued)

1 Claim, 10 Drawing Sheets



(56)

References Cited

U.S. PATENT DOCUMENTS

10,569,819 B2 * 2/2020 Lovold B62K 5/007
D886,678 S * 6/2020 Lai D12/87
D906,181 S * 12/2020 Lou D12/107
D908,536 S * 1/2021 Ye D12/87
D913,847 S * 3/2021 Hashimoto D12/87
2010/0084212 A1 * 4/2010 Smith B60N 2/38
180/311
2016/0332536 A1 * 11/2016 Weber B60G 11/48
2020/0171942 A1 * 6/2020 Evans F02D 11/04

OTHER PUBLICATIONS

“2021 Polaris Ranger 500” Polaris., posted date Jun. 3, 2021 [online], [retrieved on Jul. 14, 2021]. Retrieved from the Internet <URL: <https://woodsidesports.net/Utility-Vehicles-Polaris-Ranger-500-2021-Hailey-ID-45291521-04cc-43ec-bdc6-abe6001ff6ed>> (Year: 2021).*

“2019 Viking” Yamaha., posted date Jun. 7, 2018 [online], [retrieved on Jul. 14, 2021]. Retrieved from the Internet <URL: <https://www.yamahamotorsports.com/utility-side-by-side/models/2019/viking>> (Year: 2018).*

* cited by examiner

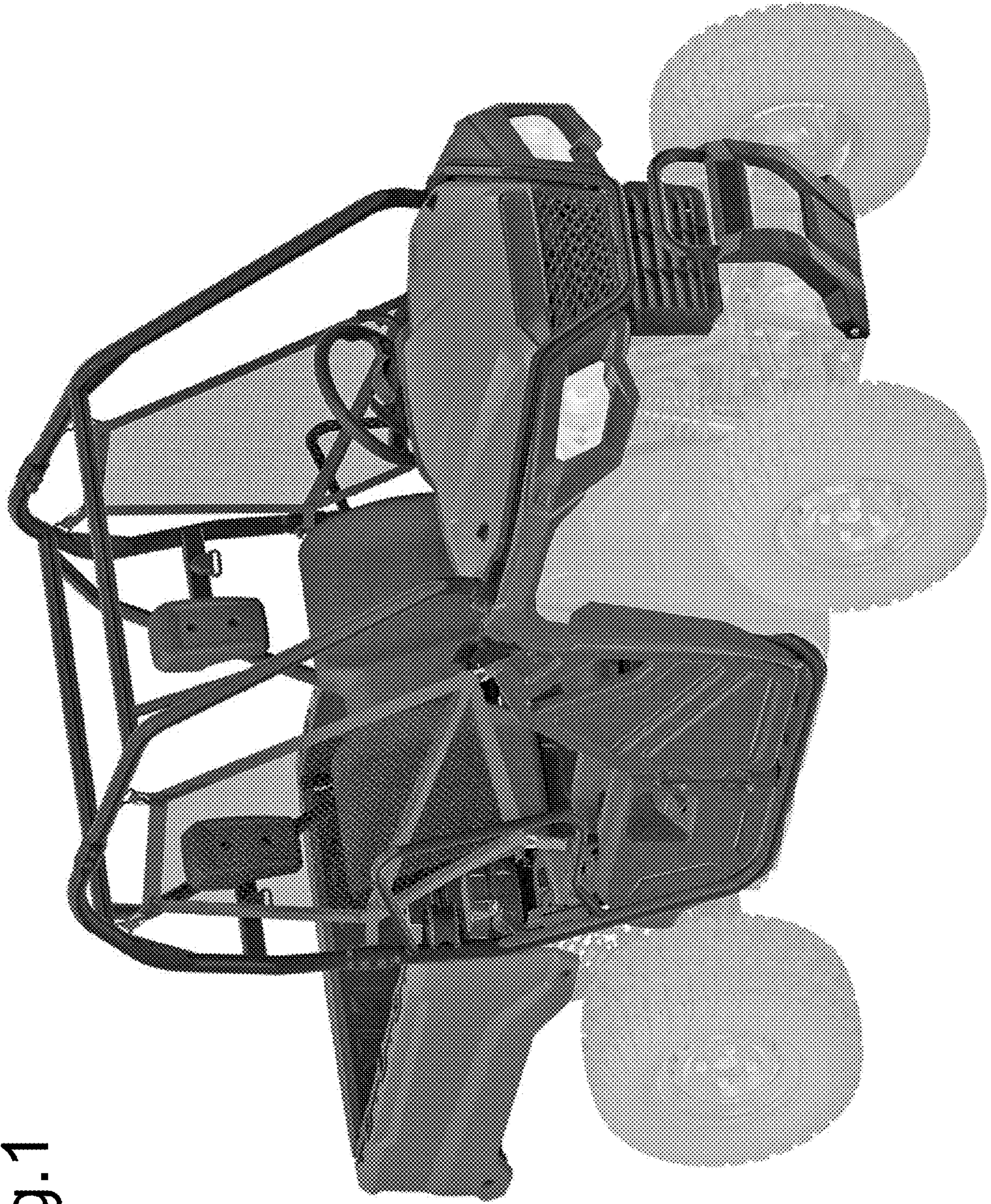


Fig.1

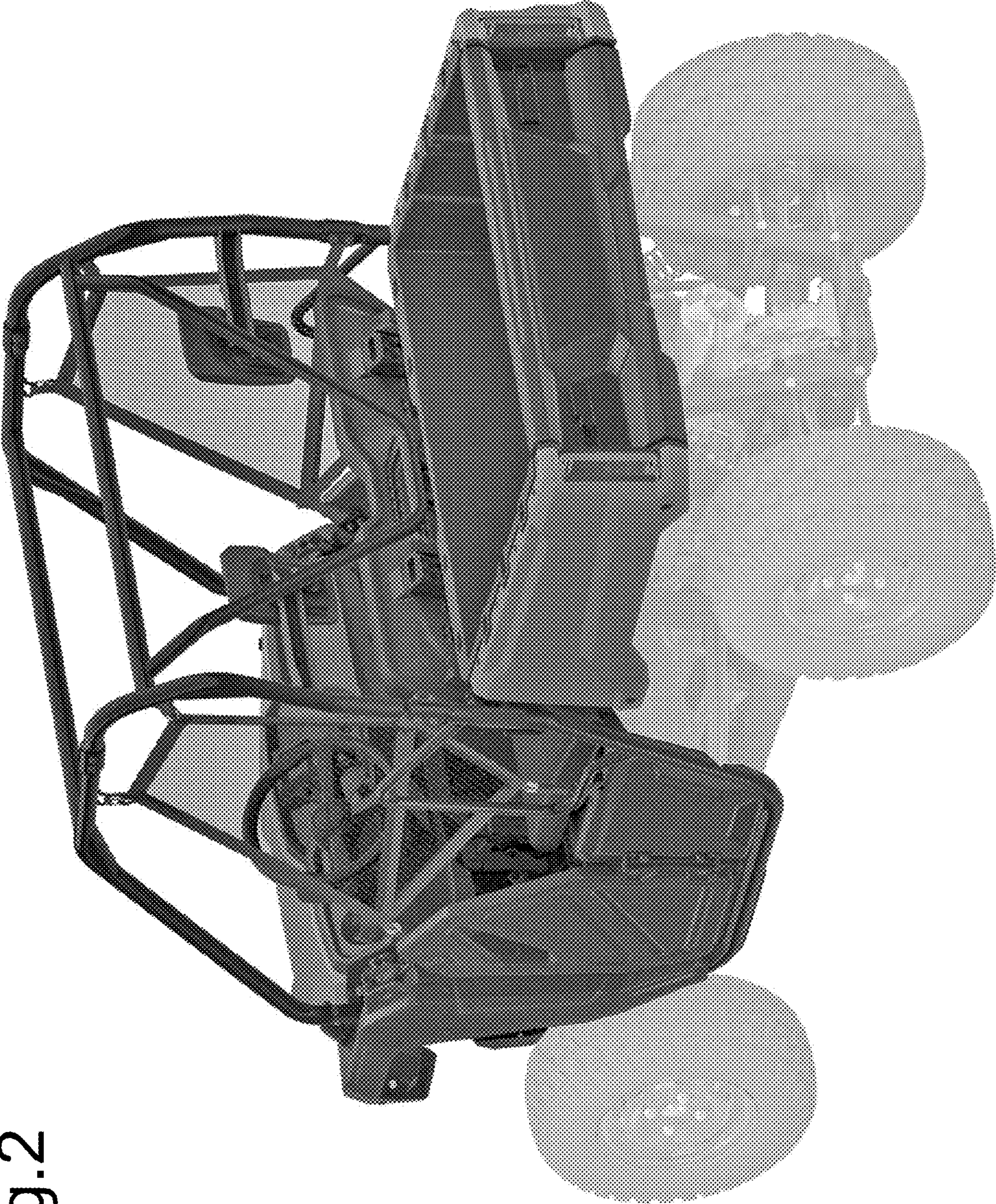


Fig.2

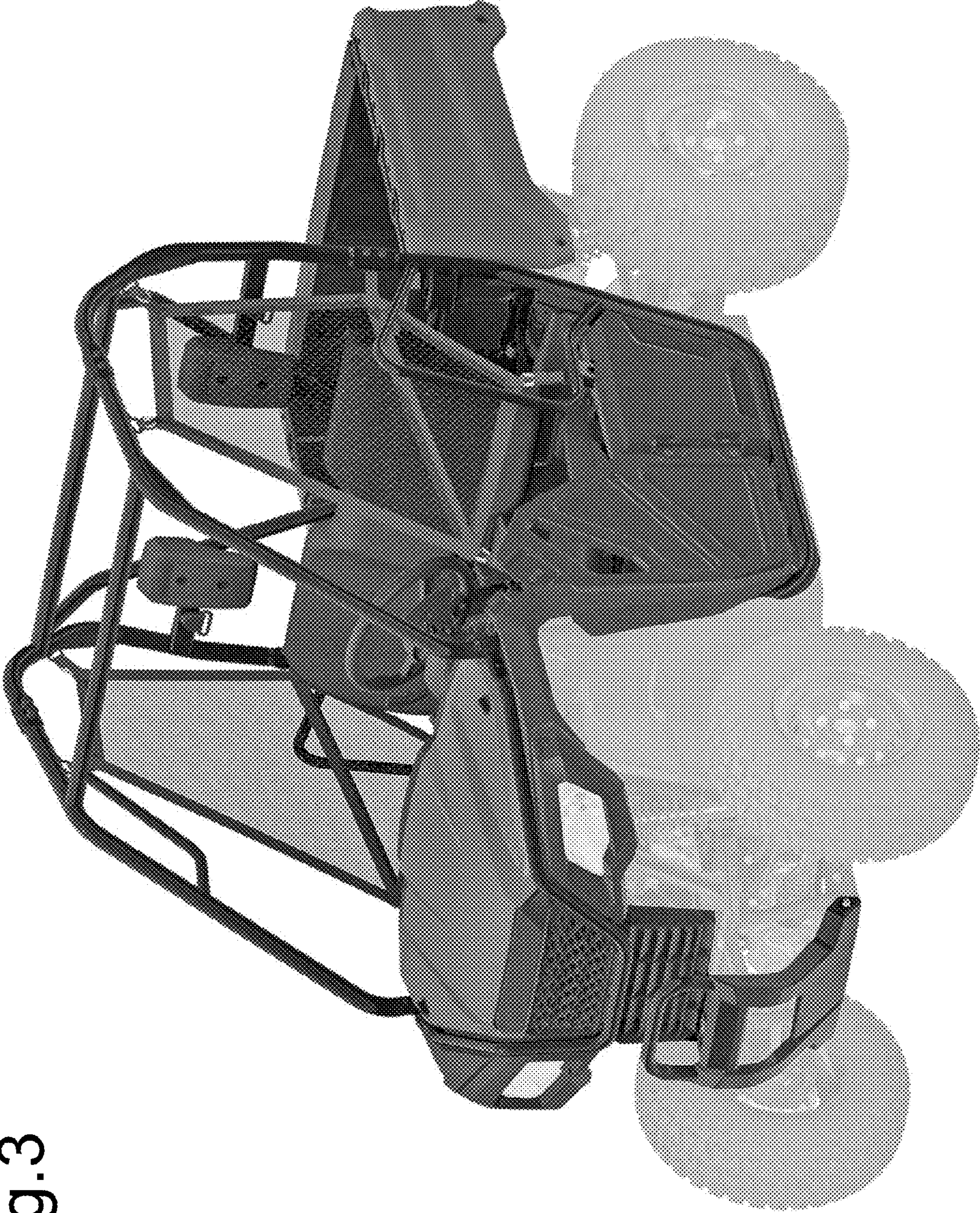


Fig.3

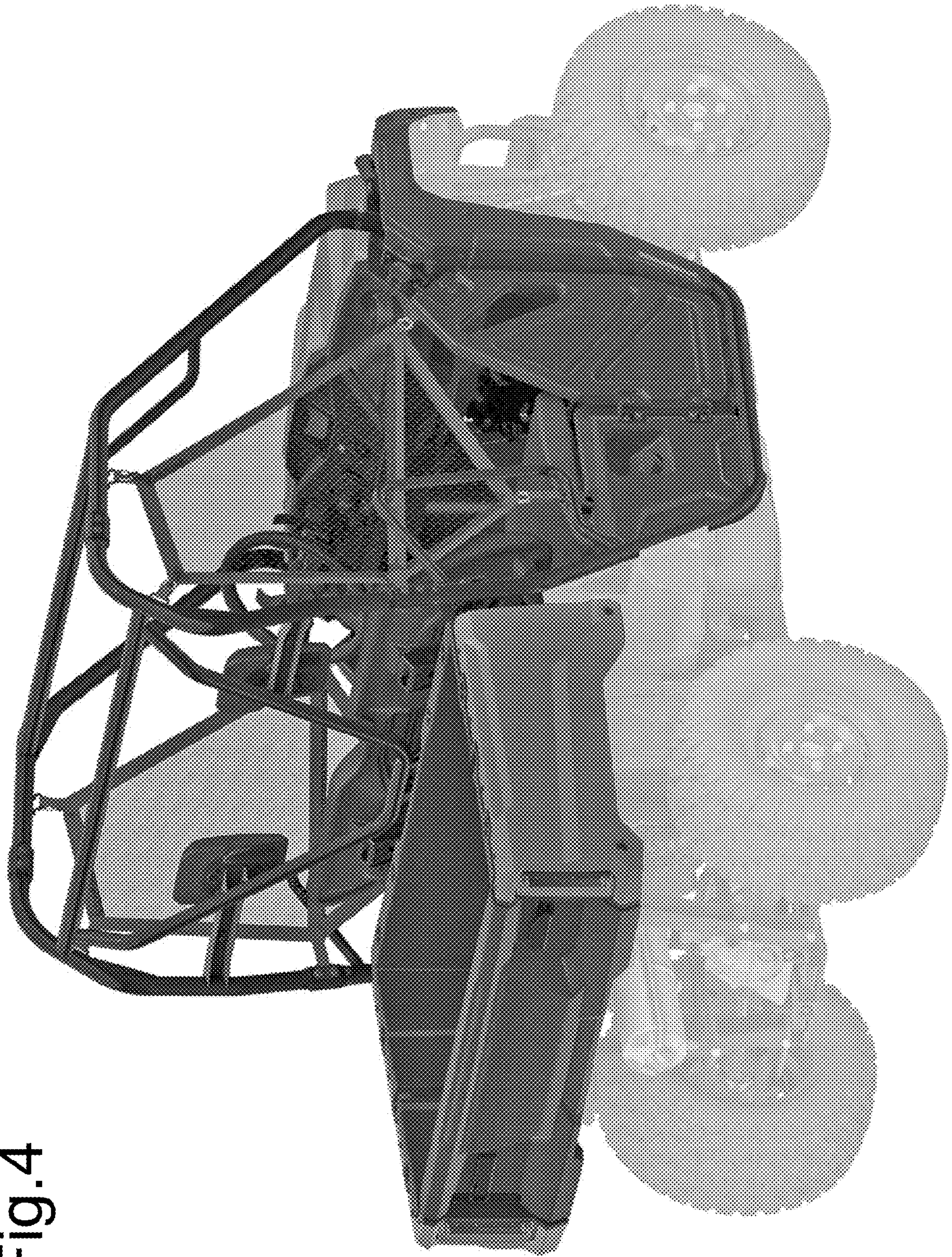


Fig.4

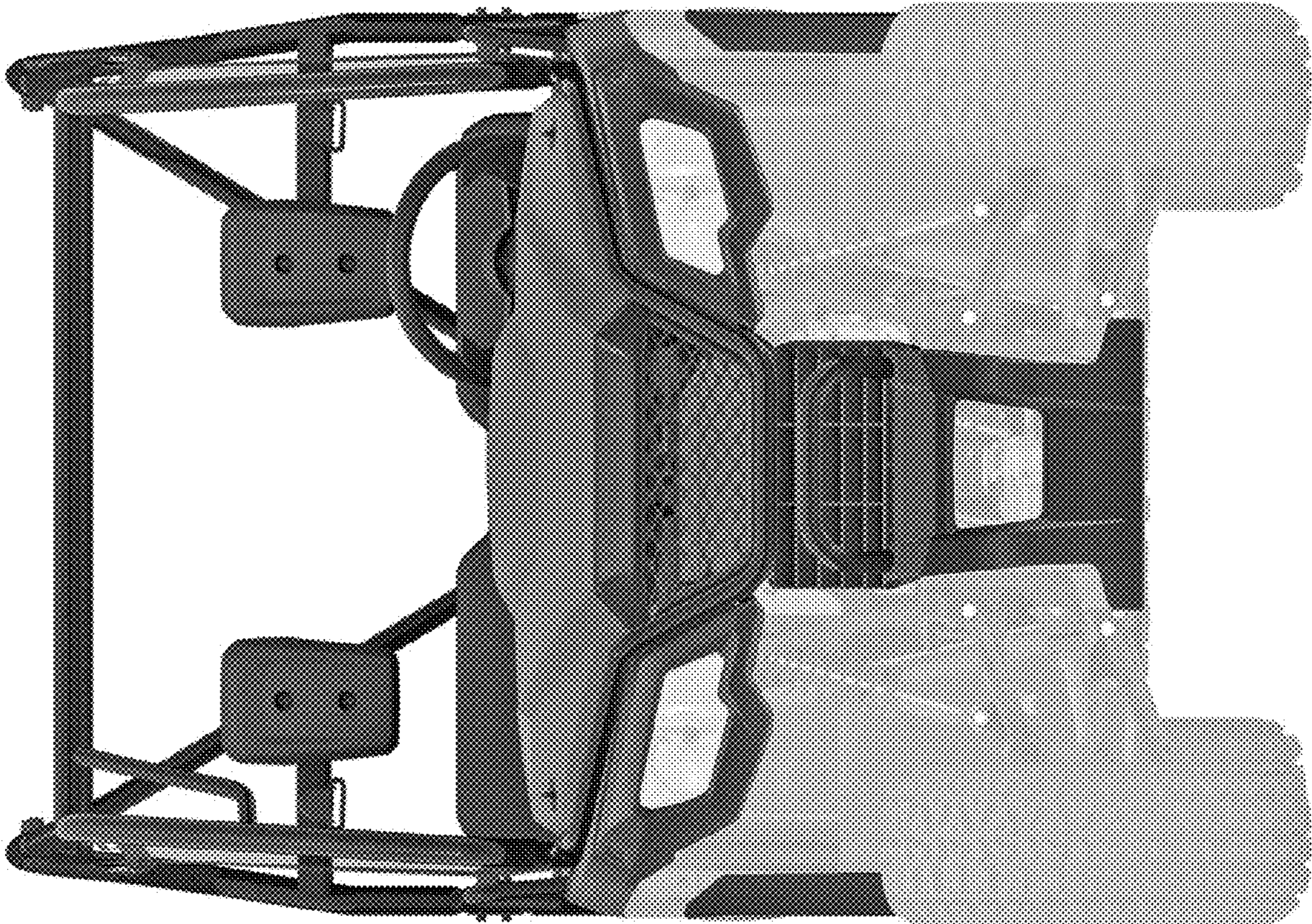


Fig.5

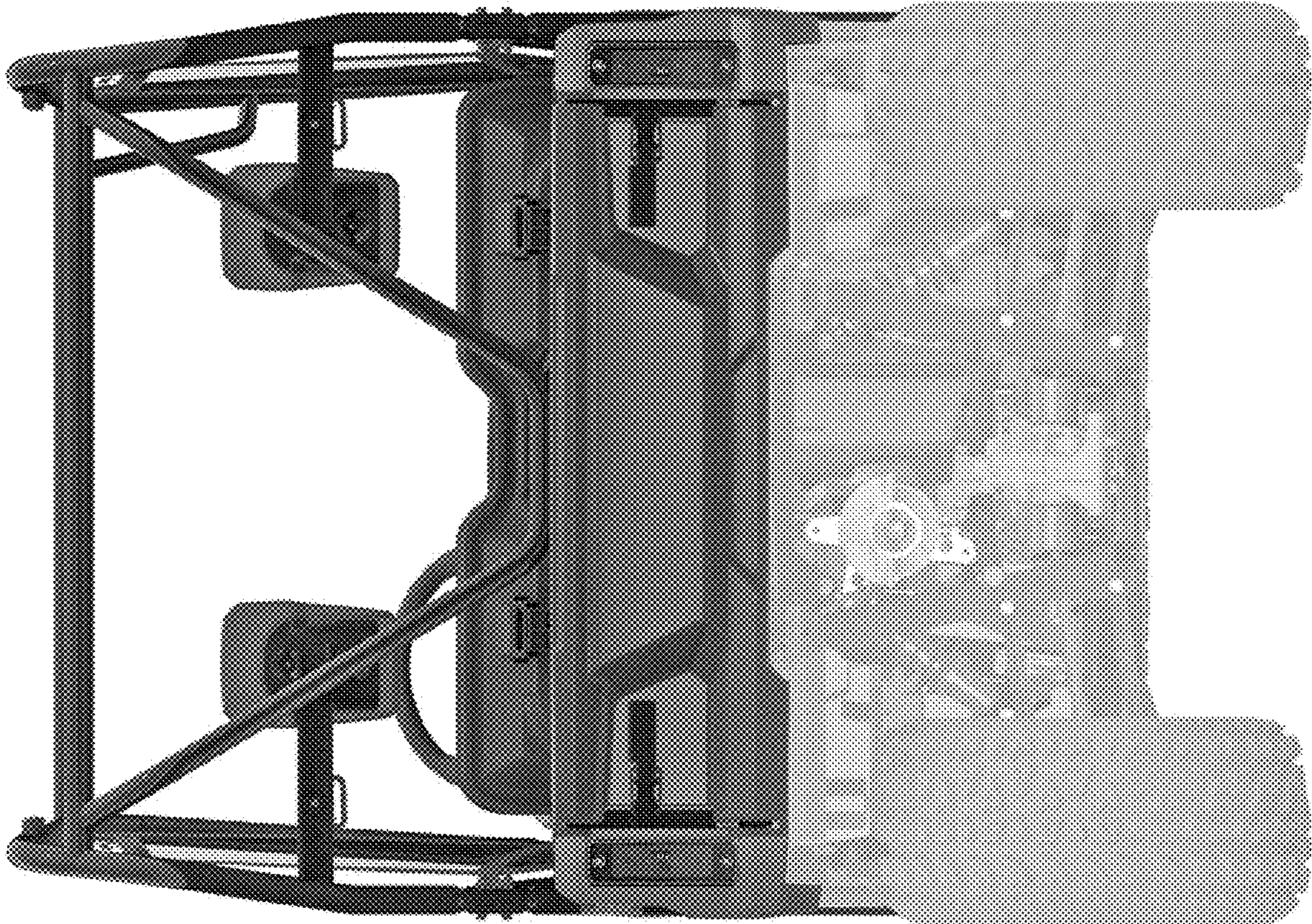


Fig.6



Fig. 7

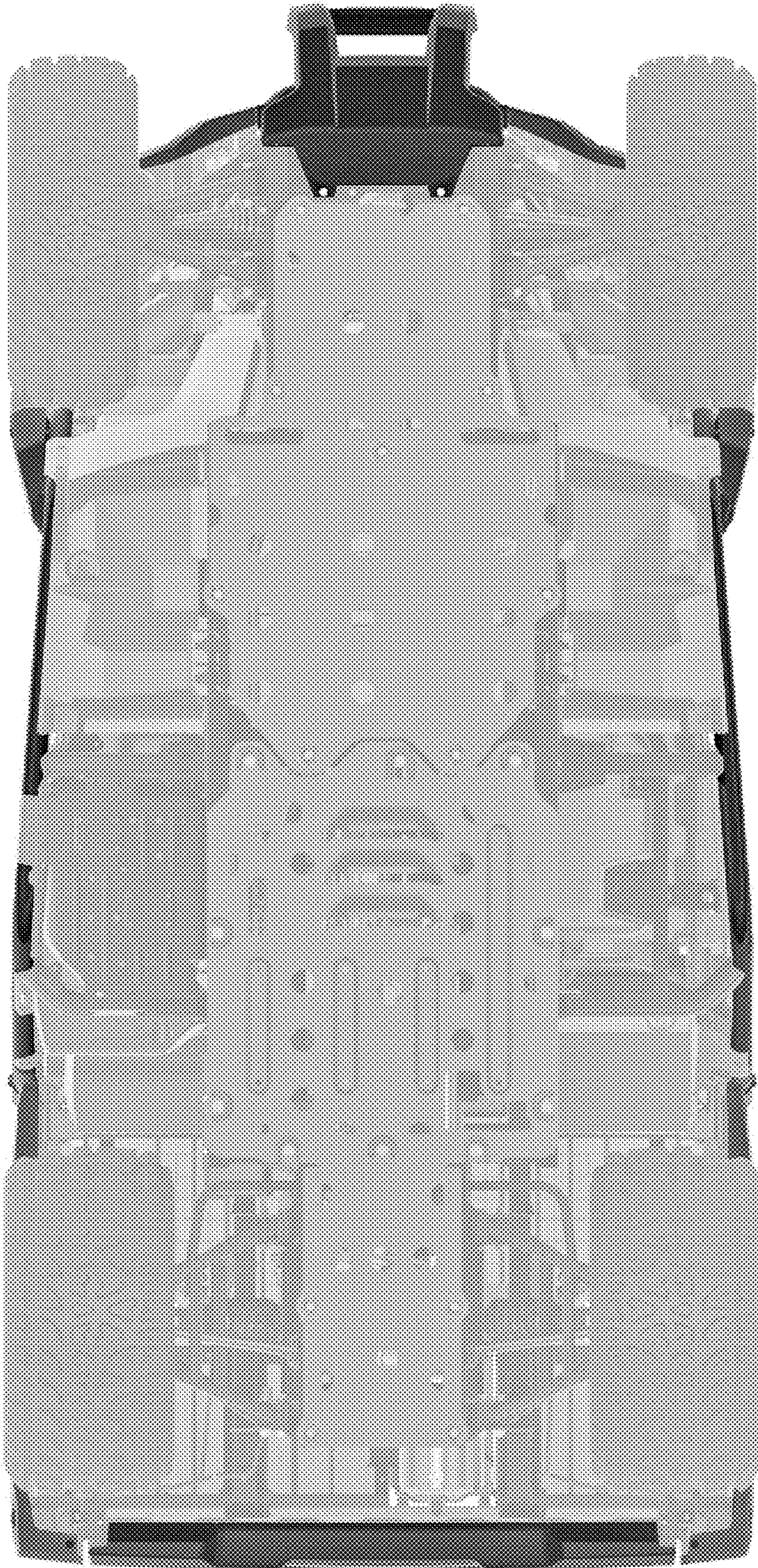


Fig. 8

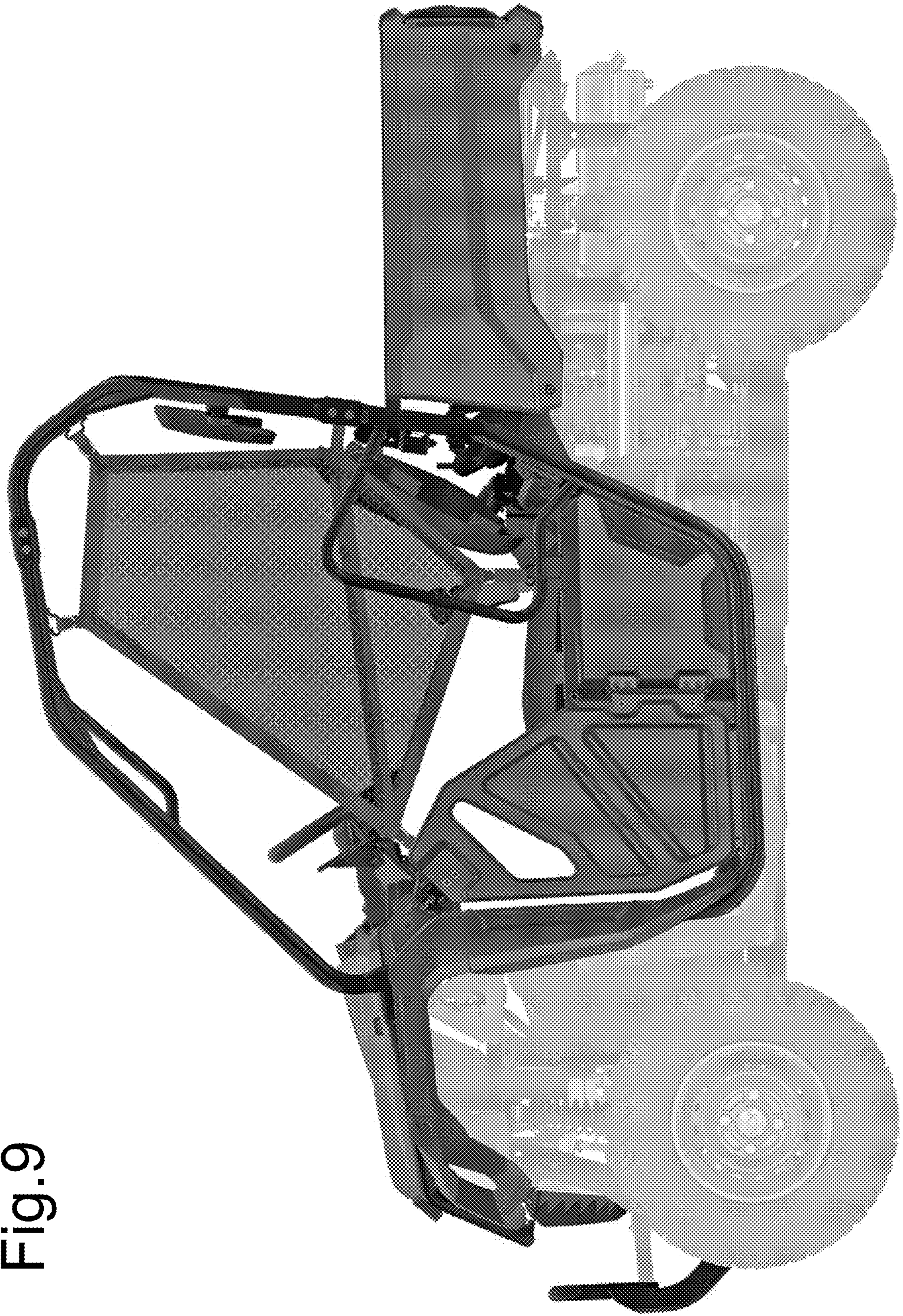


Fig. 9

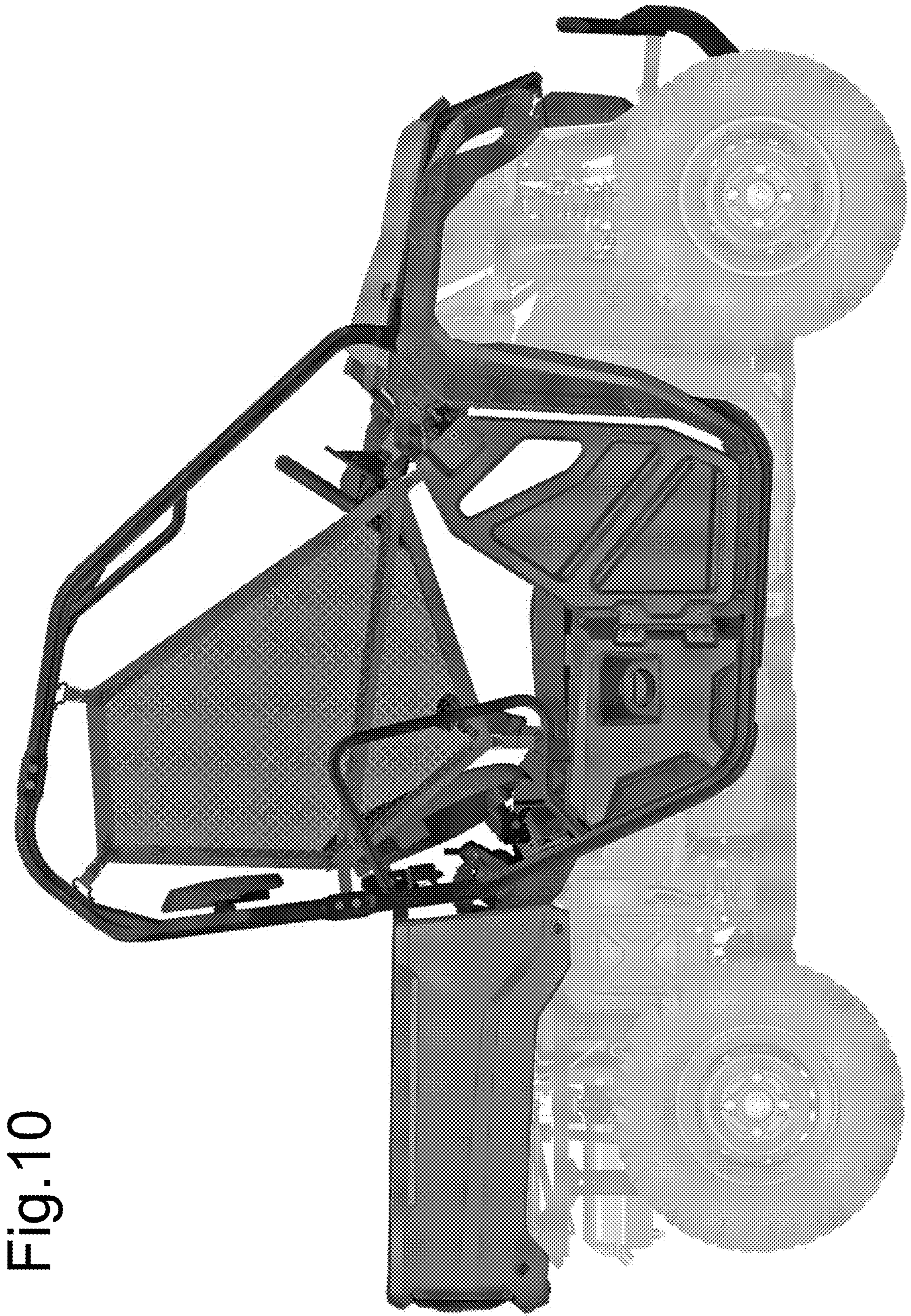


Fig.10