



US00D934117S

(12) **United States Design Patent**
Presciutti et al.

(10) **Patent No.:** **US D934,117 S**
(45) **Date of Patent:** **** Oct. 26, 2021**

(54) **MOTOR VEHICLE AND/OR TOY REPLICA THEREOF**

D835,000 S * 12/2018 Tomasson D12/91
D847,026 S * 4/2019 Lips D12/91
D911,222 S * 2/2021 Jung D12/91
D914,544 S * 3/2021 Sheffield D12/91

(71) Applicants: **TOYOTA JIDOSHA KABUSHIKI KAISHA**, Toyota (JP); **SUBARU CORPORATION**, Tokyo (JP)

OTHER PUBLICATIONS

(72) Inventors: **Yung Joo Presciutti**, Grasse (FR); **Ken Billes**, Antibes (FR)

NetCarShow.com: <https://www.netcarshow.com/toyota/2019-rav4/>;
Model: Toyota RAV4 (2019); Mfg.: Toyota; available on at least Apr. 3, 2019.

(73) Assignees: **Toyota Jidosha Kabushiki Kaisha**, Toyota (JP); **Subaru Corporation**, Tokyo (JP)

TopSpeed: <https://www.topspeed.com/cars/others/>; Model: Faraday Future FF91 (2018); Mfg.: Faraday Future; available on at least Apr. 8, 2019.

(**) Term: **15 Years**

* cited by examiner

(21) Appl. No.: **29/713,399**

Primary Examiner — Melody N Brown

(22) Filed: **Nov. 15, 2019**

(74) *Attorney, Agent, or Firm* — Finnegan, Henderson, Farabow, Garrett & Dunner, L.L.P.

(30) **Foreign Application Priority Data**

May 17, 2019 (JP) 2019-010727

(51) **LOC (13) Cl.** **12-08**

(52) **U.S. Cl.**
USPC **D12/91**

(58) **Field of Classification Search**
USPC D12/86, 90–92, 88, 164; D21/424, 433,
D21/434; 296/181.1–181.5, 183.1
CPC B62D 25/00; B62D 25/06; B62D 33/00;
B62D 35/00

See application file for complete search history.

(56) **References Cited**

U.S. PATENT DOCUMENTS

D726,591 S * 4/2015 Jacob D12/91
D732,428 S * 6/2015 Nanba D12/91

(57) **CLAIM**

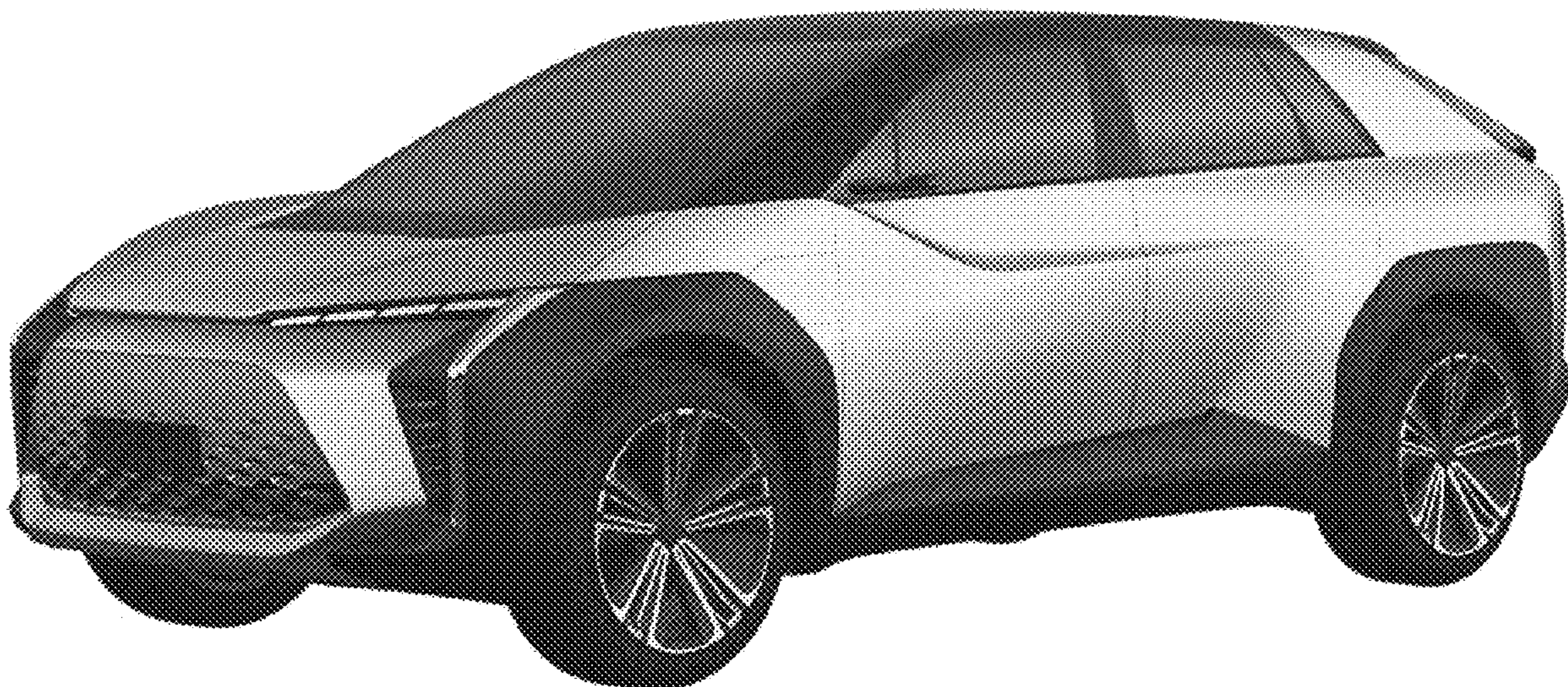
The ornamental design for a motor vehicle and/or toy replica thereof, as shown and described.

DESCRIPTION

FIG. 1 is a left, front perspective view for a motor vehicle and/or toy replica showing our new design;
FIG. 2 is a left, rear perspective view thereof;
FIG. 3 is a front view thereof;
FIG. 4 is a rear view thereof;
FIG. 5 is a right side view thereof;
FIG. 6 is a left side view thereof; and,
FIG. 7 is a top view thereof.

The bottom view of the motor vehicle and/or toy replica forms no part of the claimed design.

1 Claim, 7 Drawing Sheets



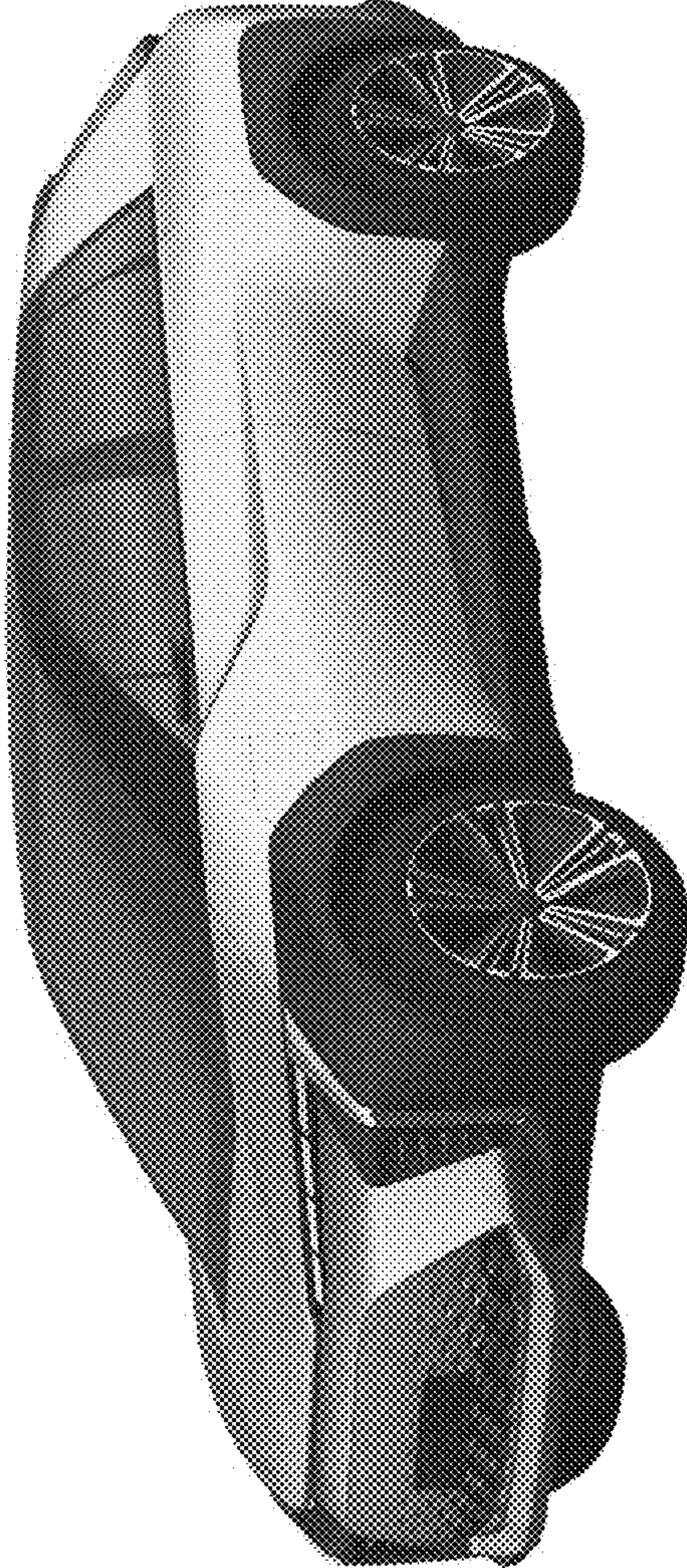


FIG. 1

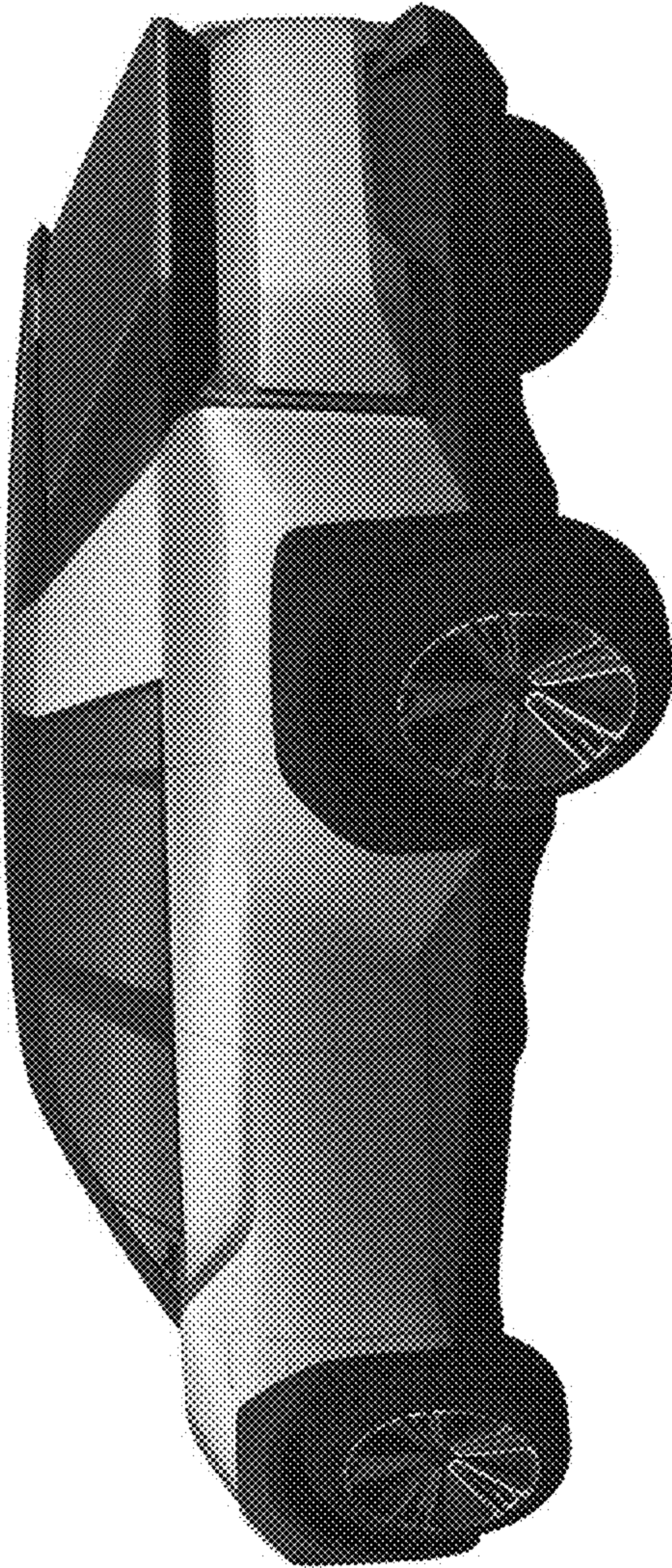


FIG. 2

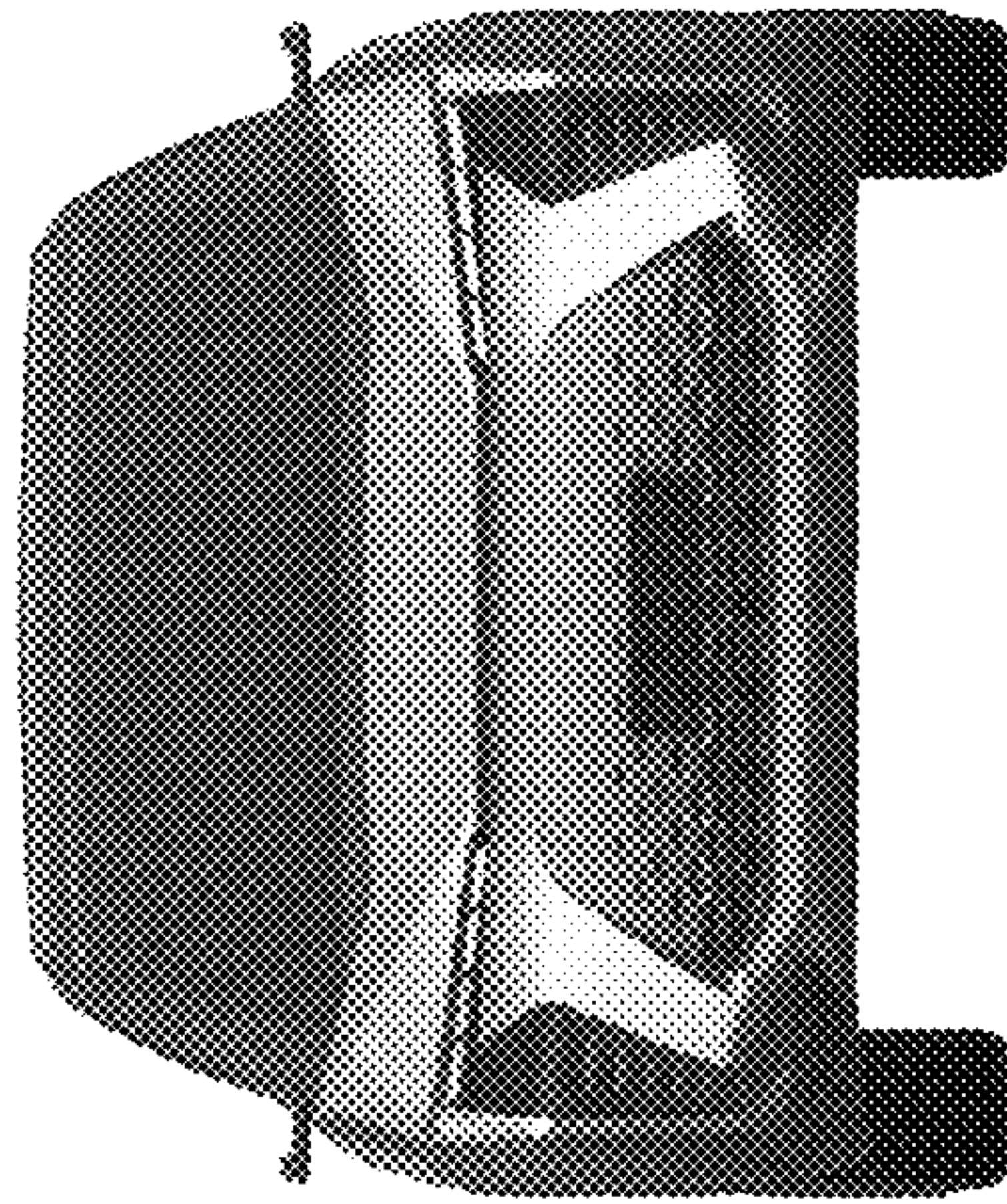


FIG. 3

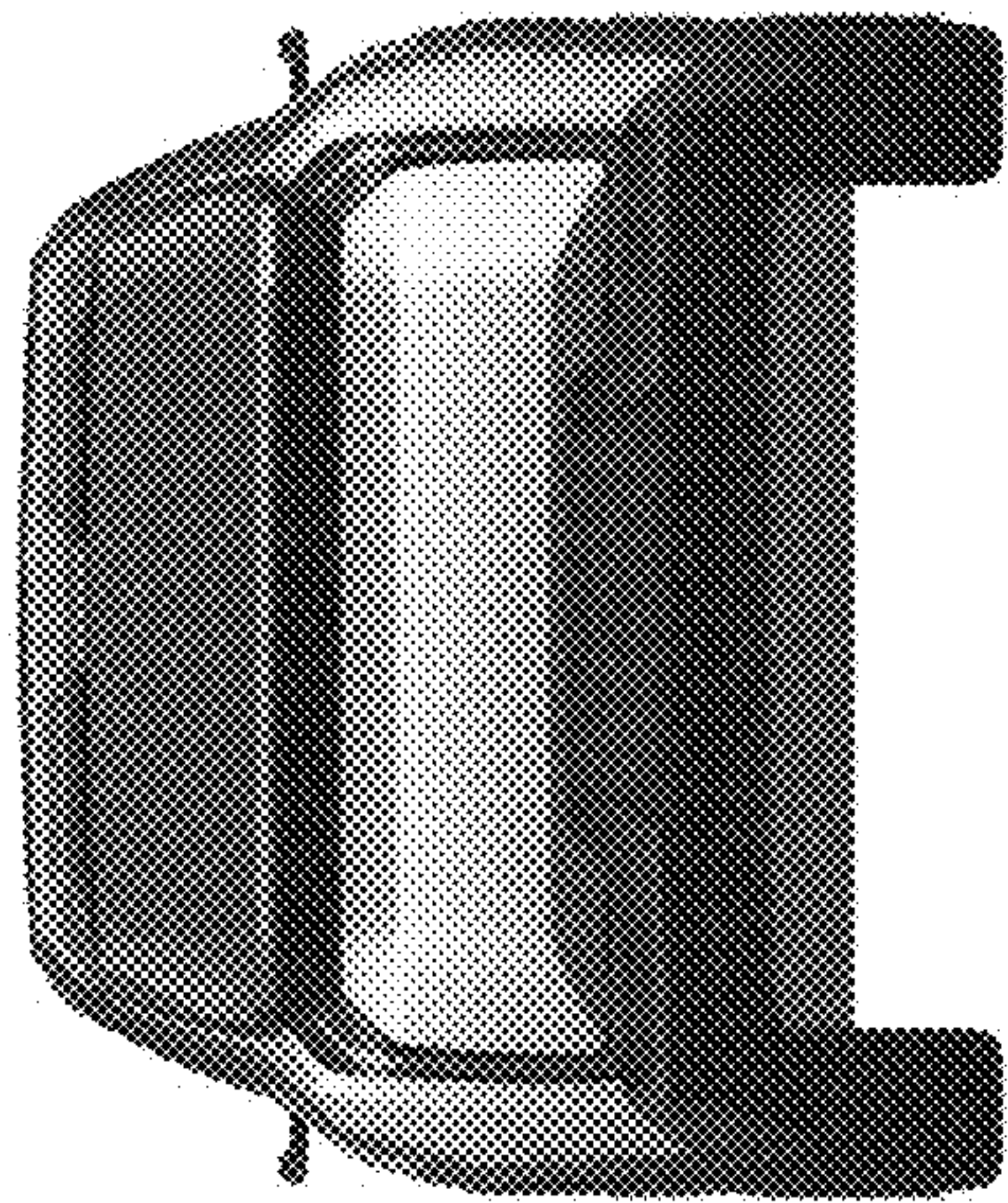


FIG. 4

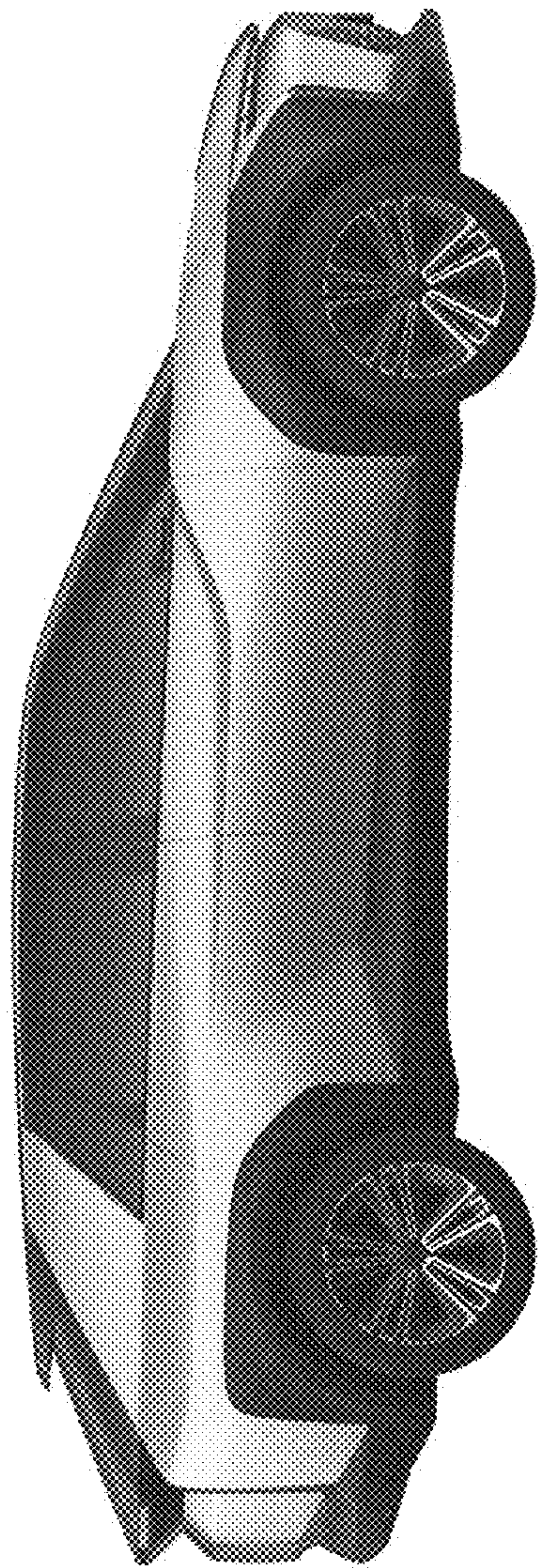


FIG. 5

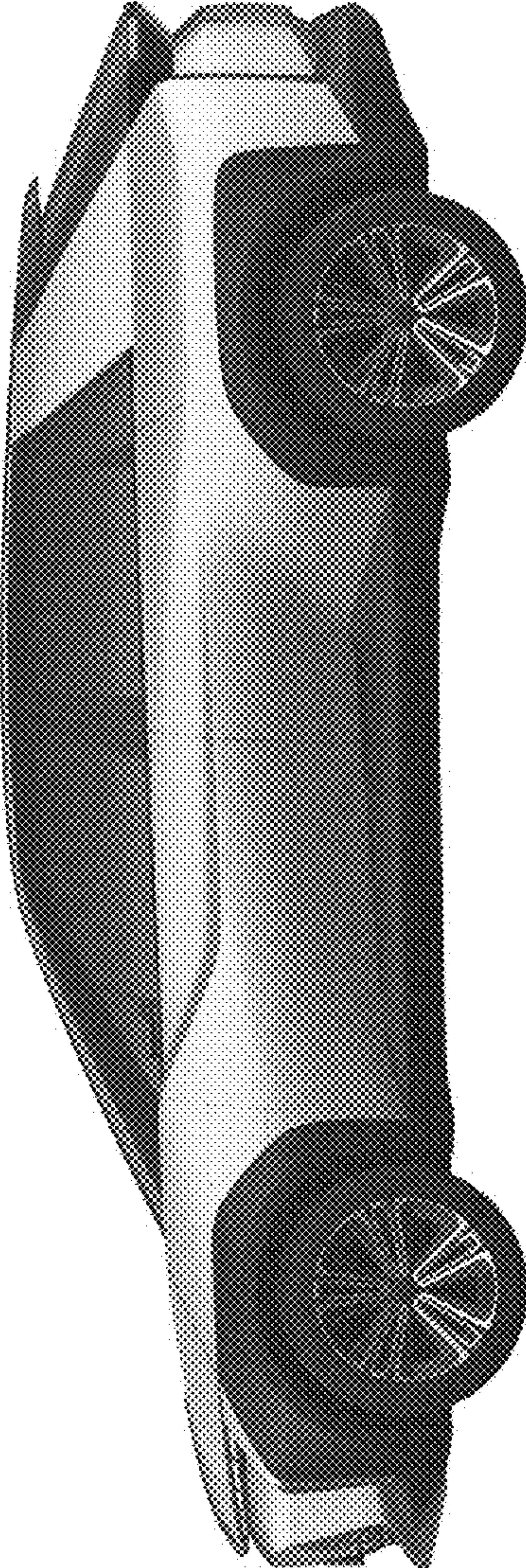


FIG. 6

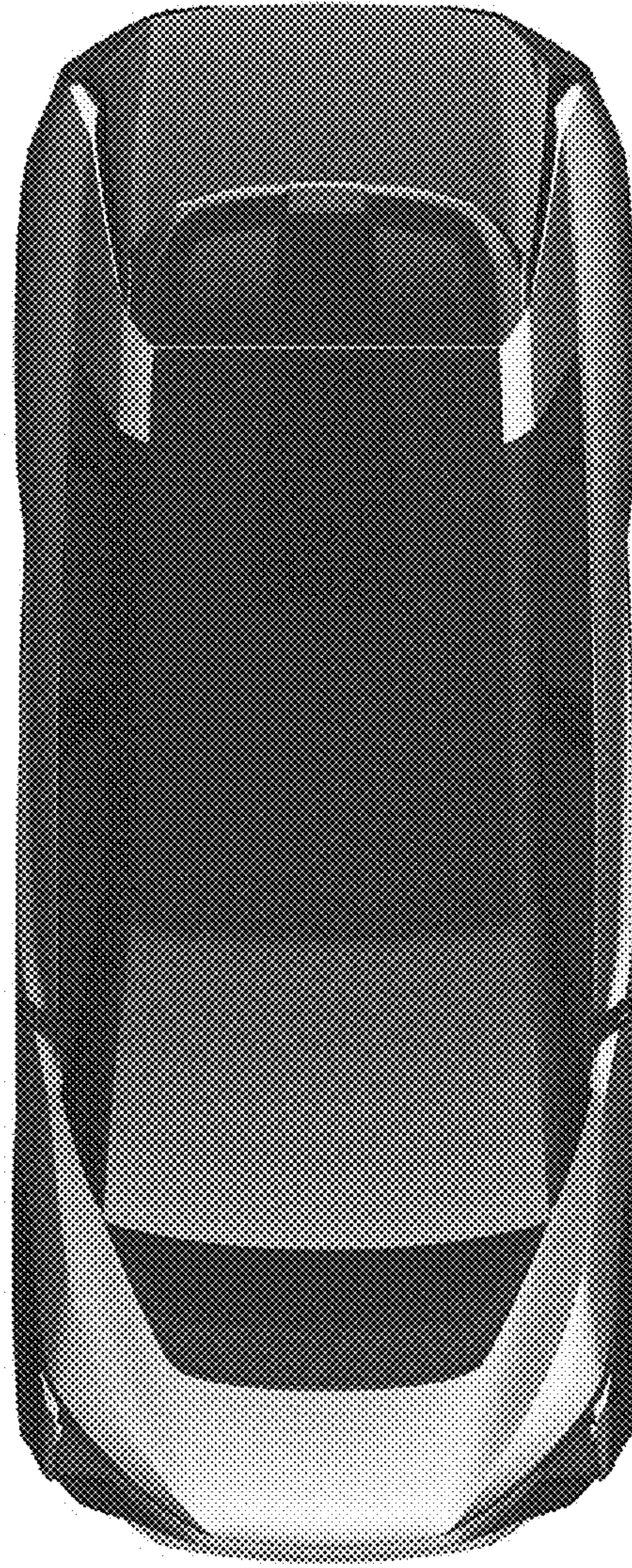


FIG. 7