



US00D934115S

(12) **United States Design Patent**  
**Zhang**

(10) **Patent No.:** **US D934,115 S**

(45) **Date of Patent:** **\*\* Oct. 26, 2021**

(54) **SNAP BUTTON**

D818,393 S \* 5/2018 Chen ..... D11/220  
D844,486 S \* 4/2019 Hayashi ..... D11/220  
D884,552 S \* 5/2020 Chen ..... D11/220

(71) Applicant: **Shenzhen Guangfangyuan Technology Co., Ltd.**, Guangdong (CN)

\* cited by examiner

(72) Inventor: **Yuanhui Zhang**, Sichuan (CN)

*Primary Examiner* — Zenia I Bennett

(73) Assignee: **Shenzhen Guangfangyuan Technology Co., Ltd.**, Guangdong (CN)

(74) *Attorney, Agent, or Firm* — ScienBiziP, P.C.

(\*\*) Term: **15 Years**

(57) **CLAIM**

The ornamental design for a snap button, as shown and described.

(21) Appl. No.: **29/780,757**

**DESCRIPTION**

(22) Filed: **Apr. 26, 2021**

(51) **LOC (13) Cl.** ..... **02-07**

(52) **U.S. Cl.**  
USPC ..... **D11/220**

(58) **Field of Classification Search**  
USPC ..... D11/1-25.43, 86, 87, 220  
CPC .. A44C 1/00; A44C 7/00; A44C 7/002; A44C 7/003; A44B 7/00; A44B 7/0005; A44B 7/0017; A44B 7/0023; A44B 7/0029; A44B 7/0035; A44B 7/0041; A44B 7/0058; A44B 7/0064  
See application file for complete search history.

FIG. 1 is a front, right, and top perspective view of a male portion of a snap button, showing my design.  
FIG. 2 is a rear, left, and bottom perspective view of FIG. 1.  
FIG. 3 is a front elevation view of FIG. 1.  
FIG. 4 is a rear elevation view of FIG. 1.  
FIG. 5 is a left side elevation view of FIG. 1.  
FIG. 6 is a right side elevation view of FIG. 1.  
FIG. 7 is a front, right, and top perspective view of a female portion of the snap button, showing my design.  
FIG. 8 is a rear, left, and bottom perspective view of FIG. 7.  
FIG. 9 is a front elevation view of FIG. 7.  
FIG. 10 is a rear elevation view of FIG. 7.  
FIG. 11 is a left side elevation view of FIG. 7.  
FIG. 12 is a right side elevation view of FIG. 7; and,  
FIG. 13 is a front, right, and top perspective view of the snap button, wherein the male portion and the female portion are assembled.

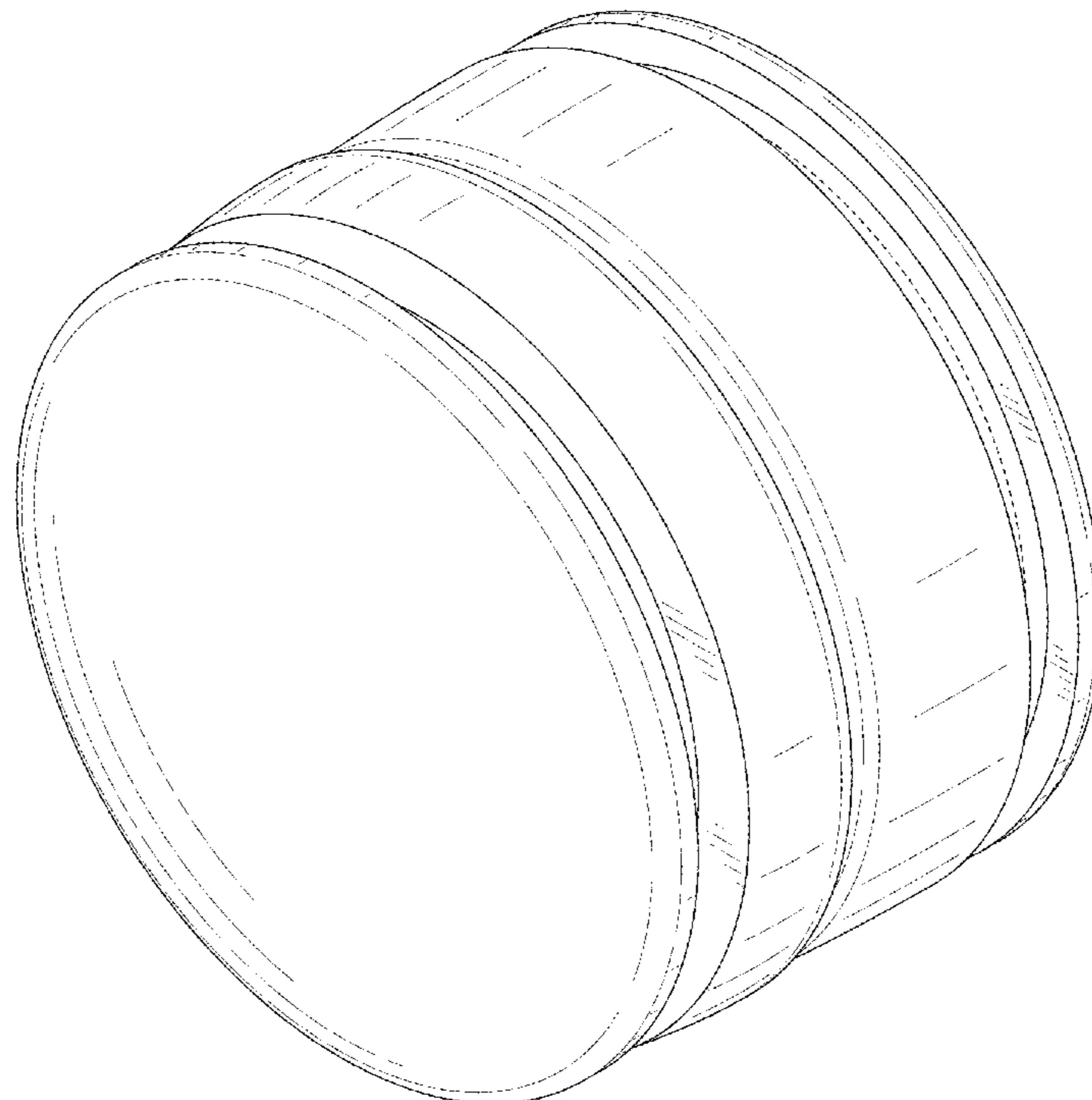
The broken lines shown in the drawings are included for the purpose of illustrating portions of the snap button that form no part of the claimed design.

(56) **References Cited**

**U.S. PATENT DOCUMENTS**

4,099,303 A \* 7/1978 Parera ..... A44B 17/0011  
24/640  
D301,567 S \* 6/1989 Burke ..... D11/220  
D664,891 S \* 8/2012 Takeda ..... D11/220  
D665,304 S \* 8/2012 Takeda ..... D11/220  
D817,810 S \* 5/2018 Chen ..... D11/220

**1 Claim, 13 Drawing Sheets**



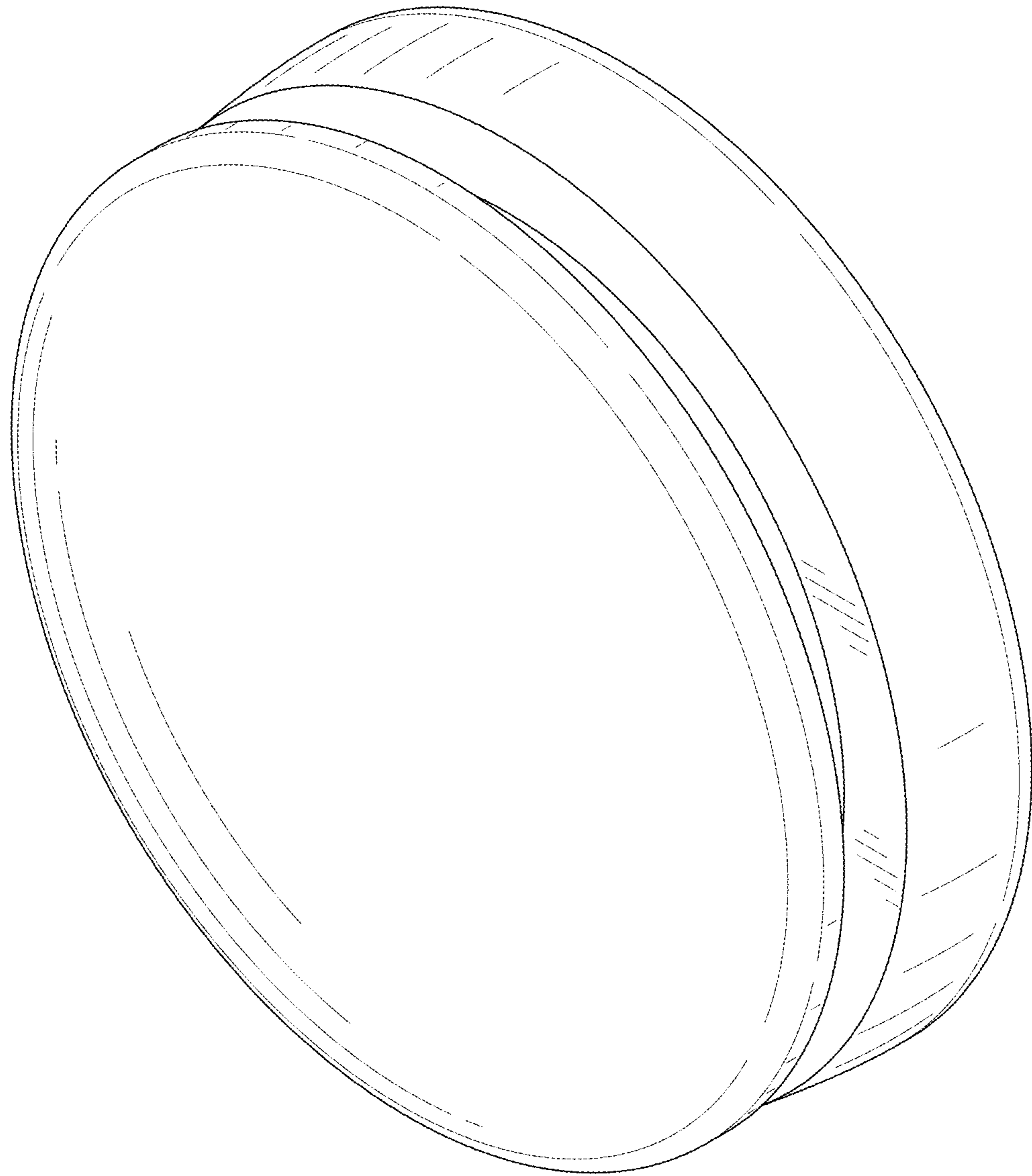


FIG. 1

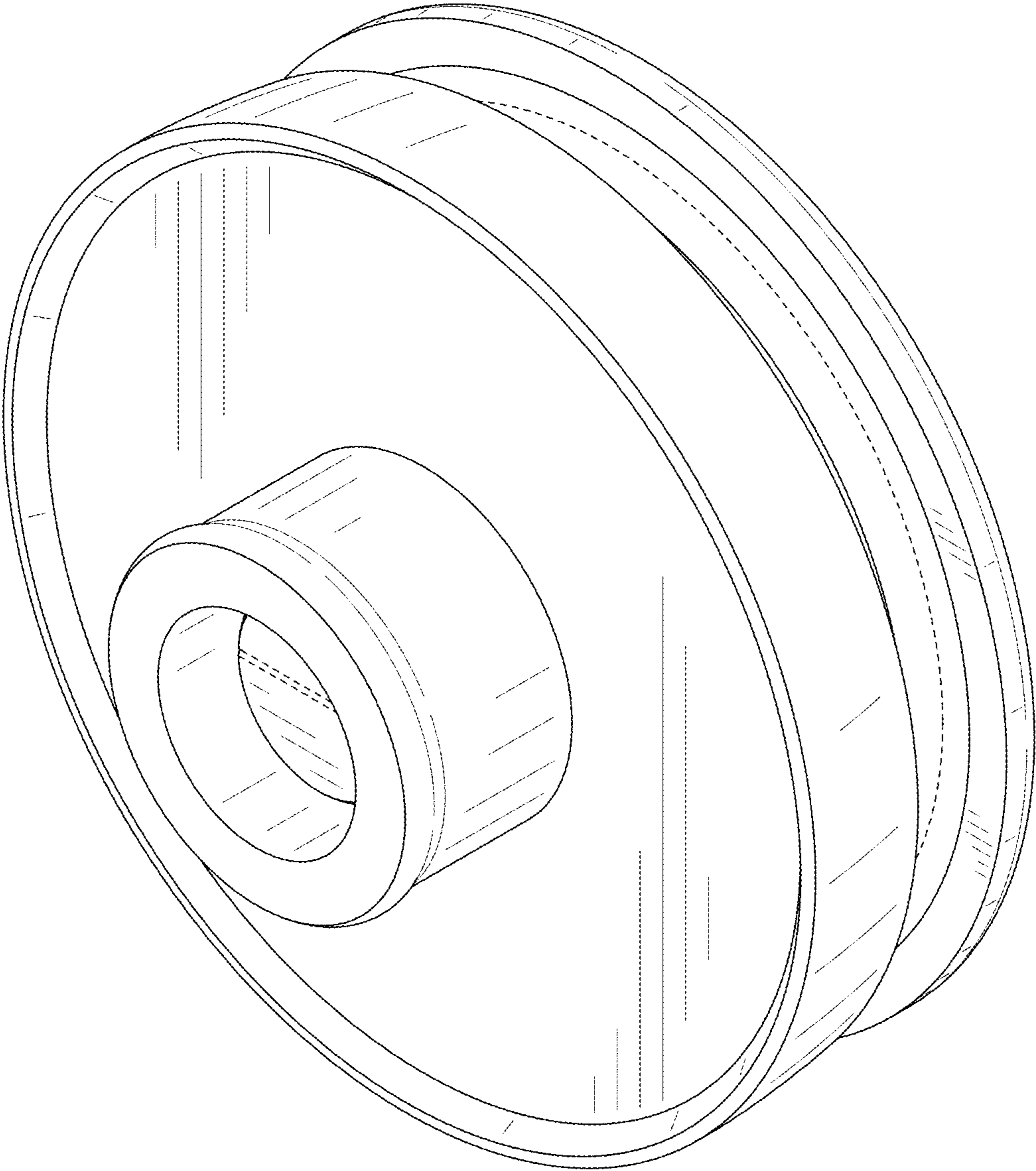


FIG. 2

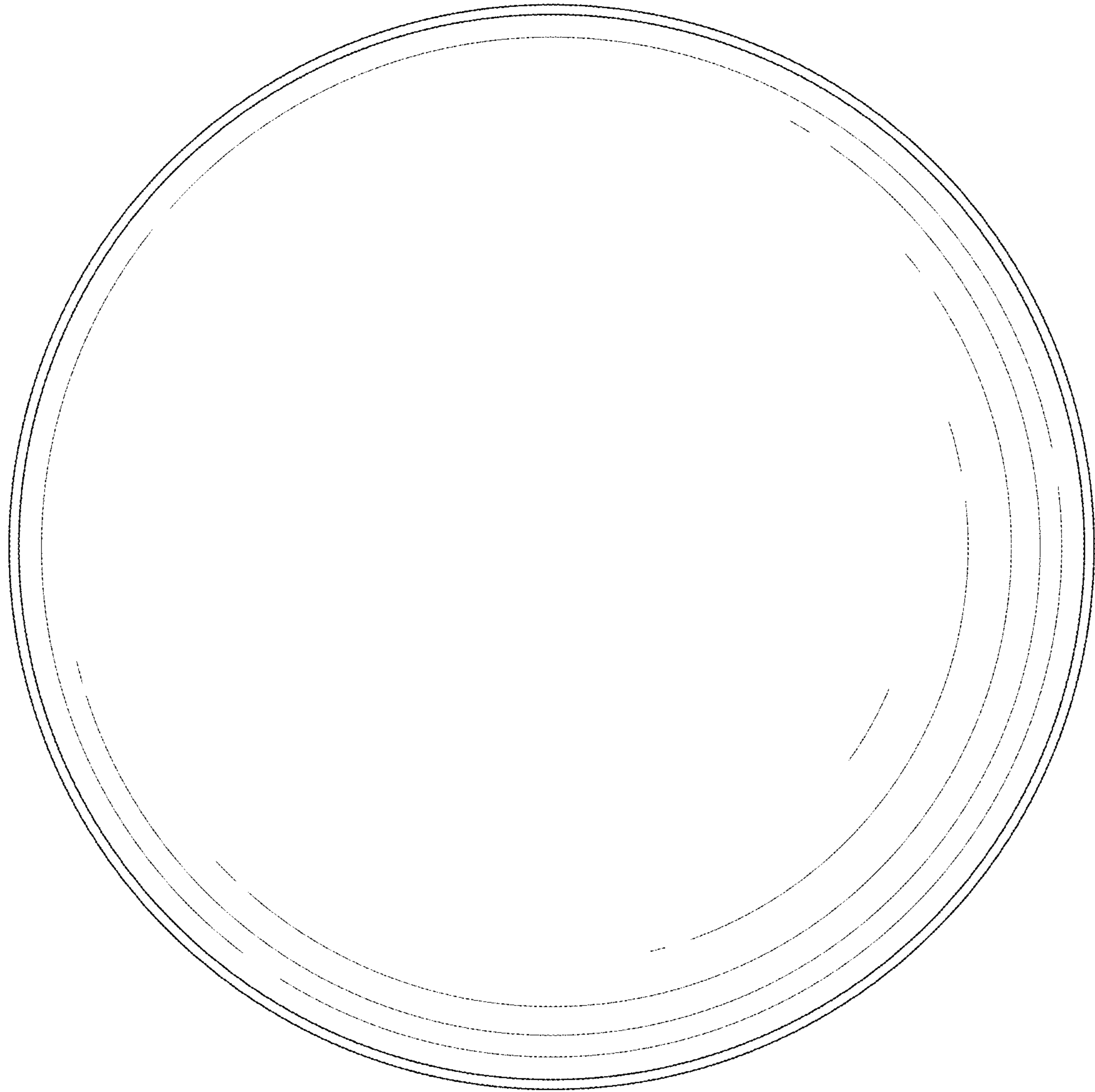


FIG. 3





FIG. 4

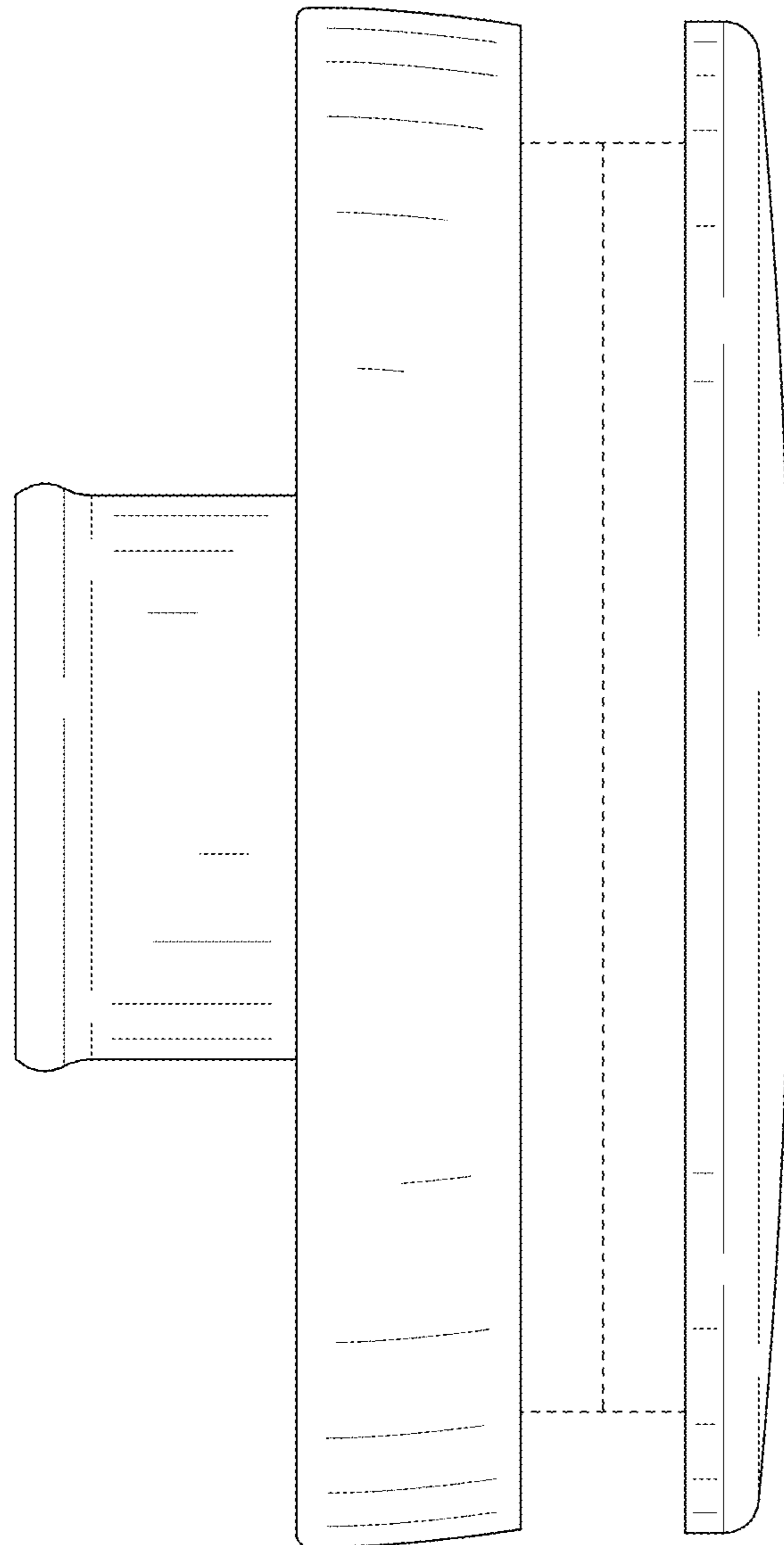


FIG. 5

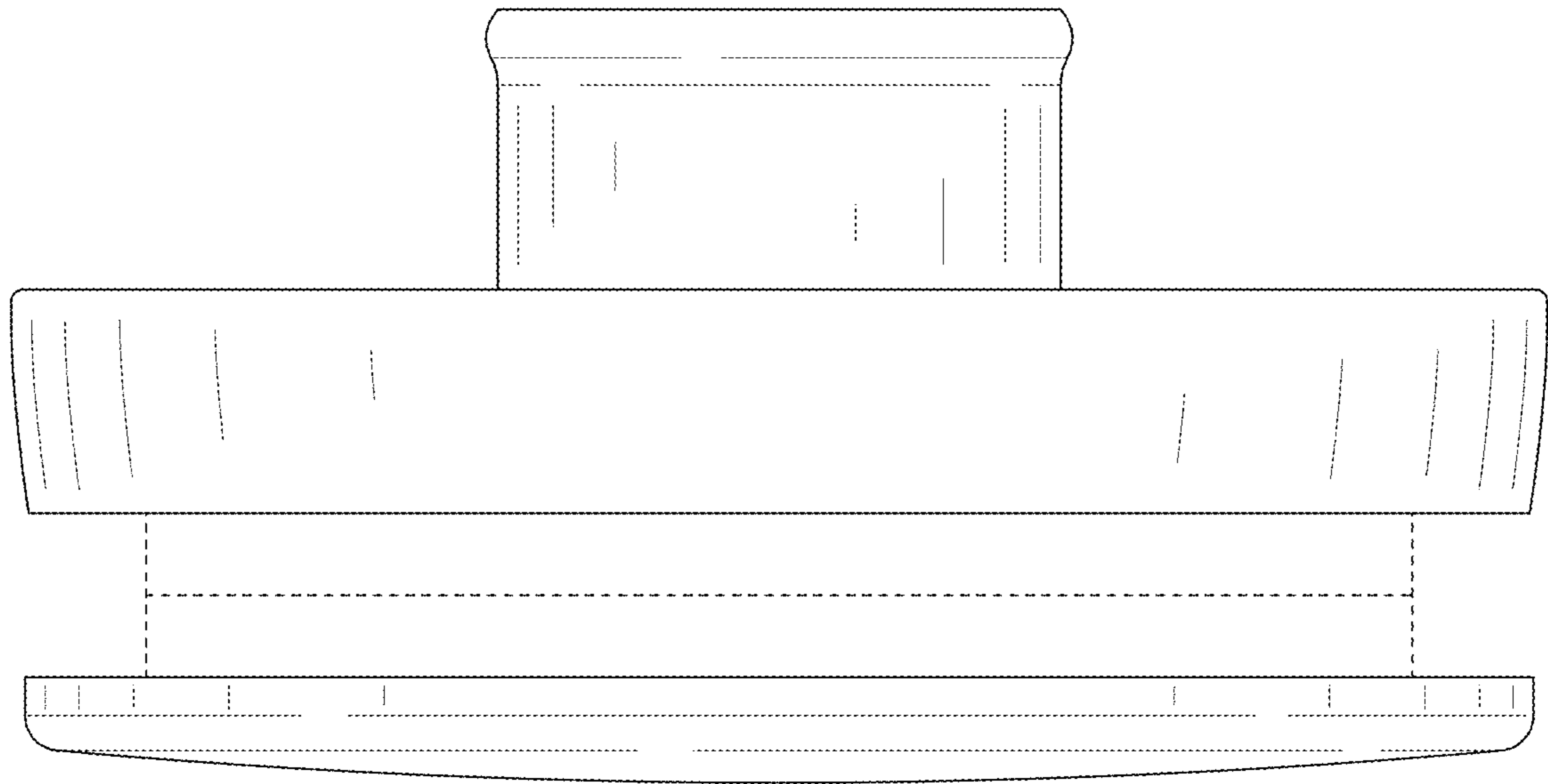


FIG. 6

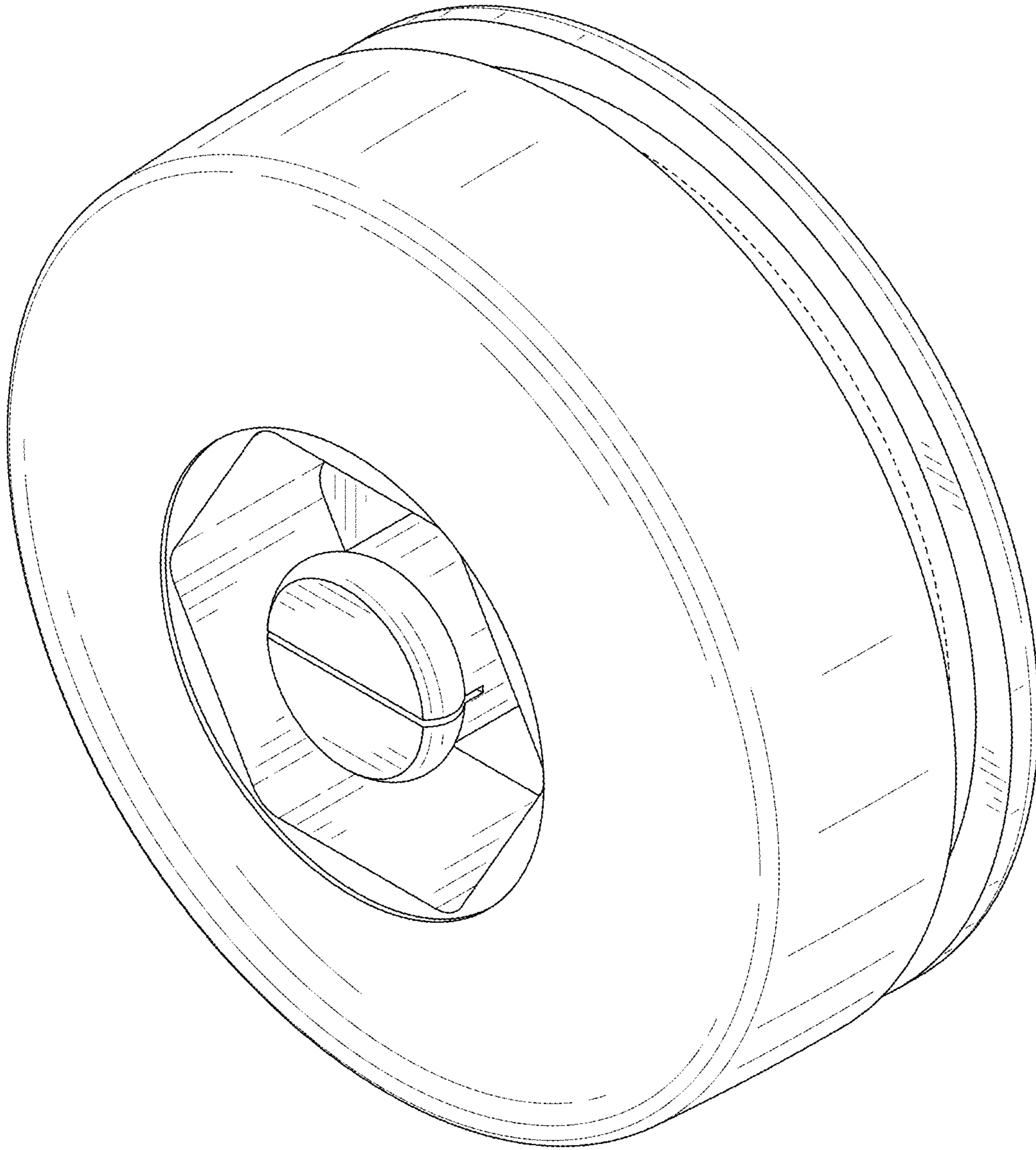


FIG. 7



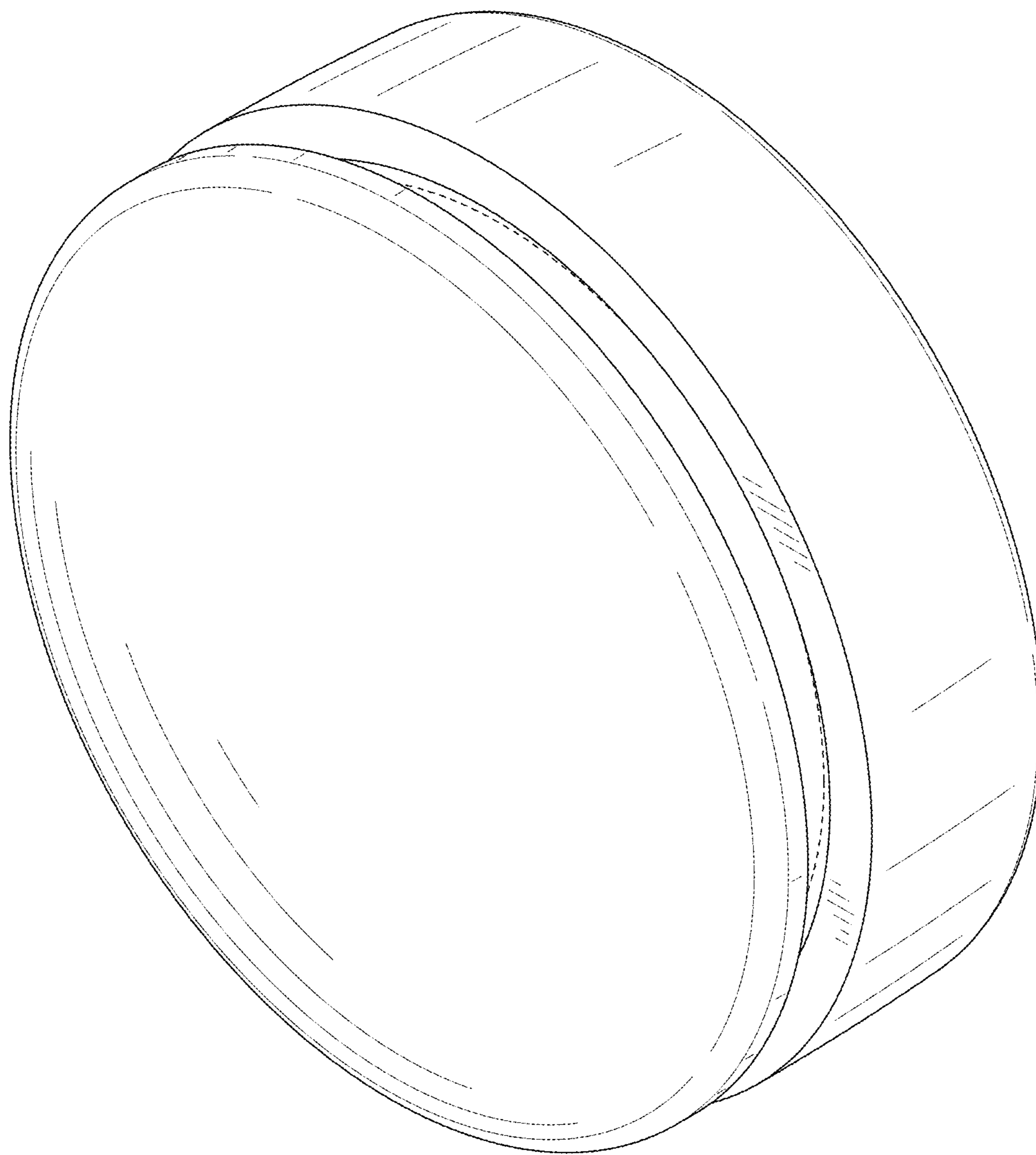


FIG. 8

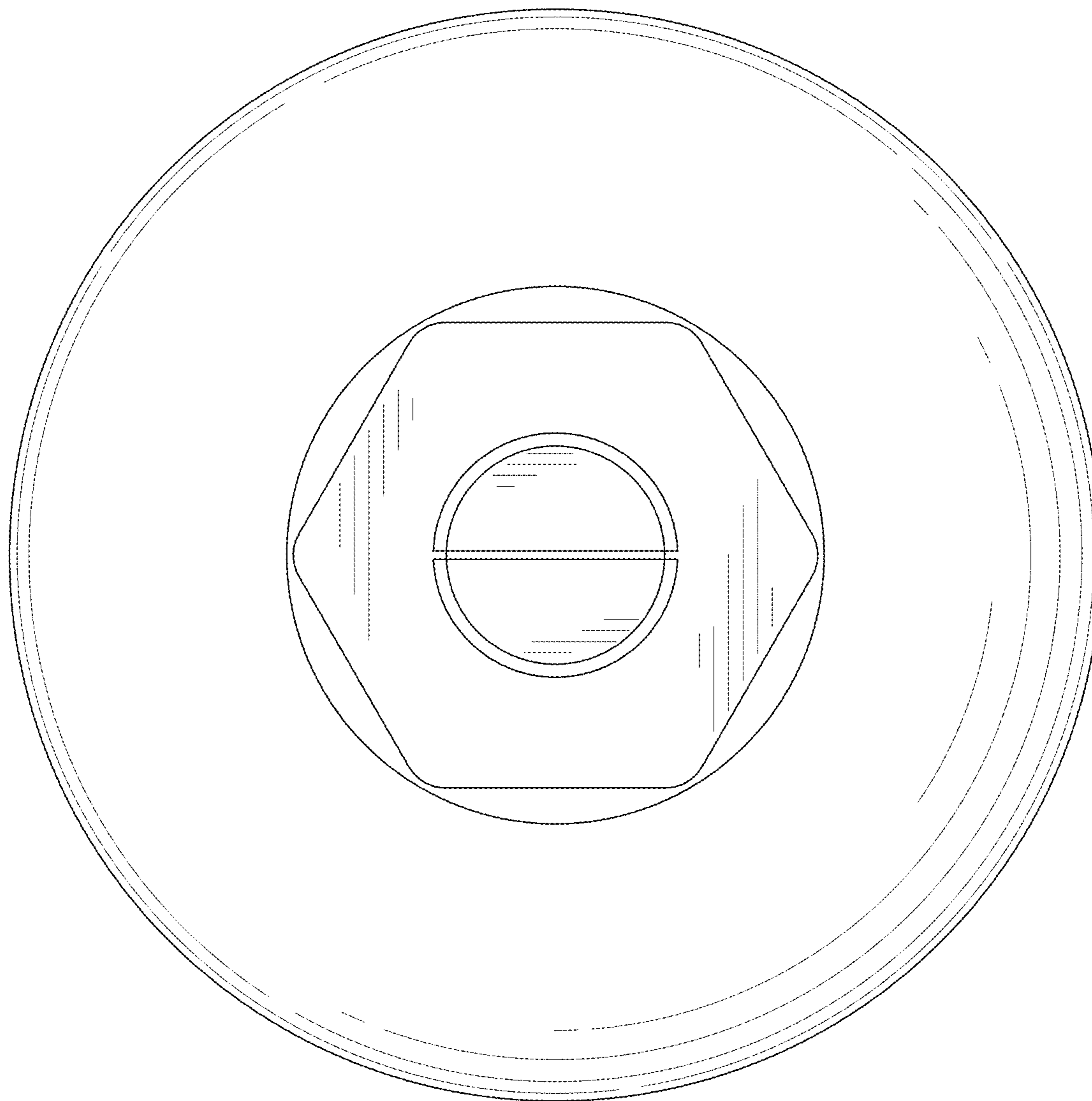


FIG. 9

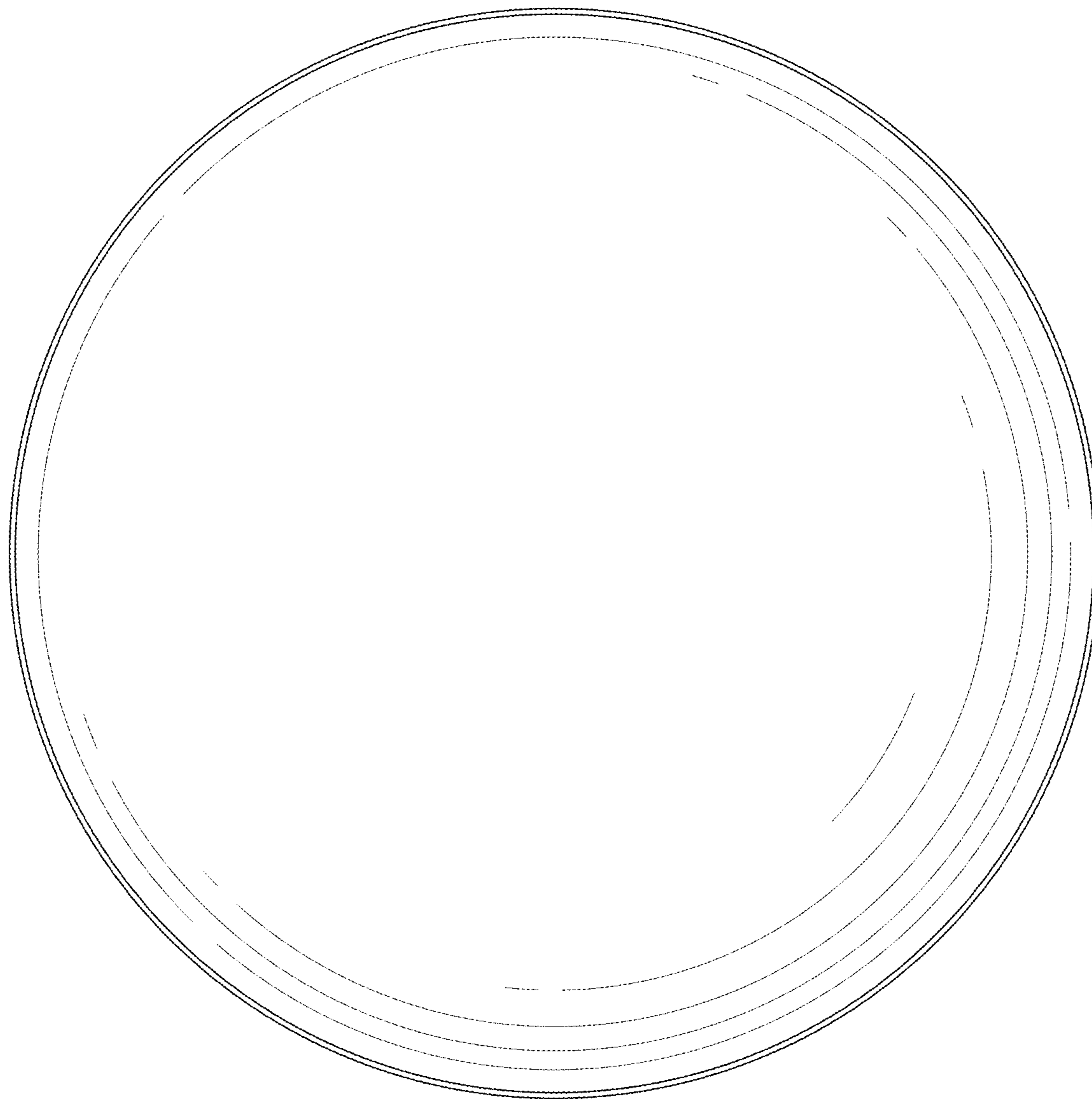


FIG. 10

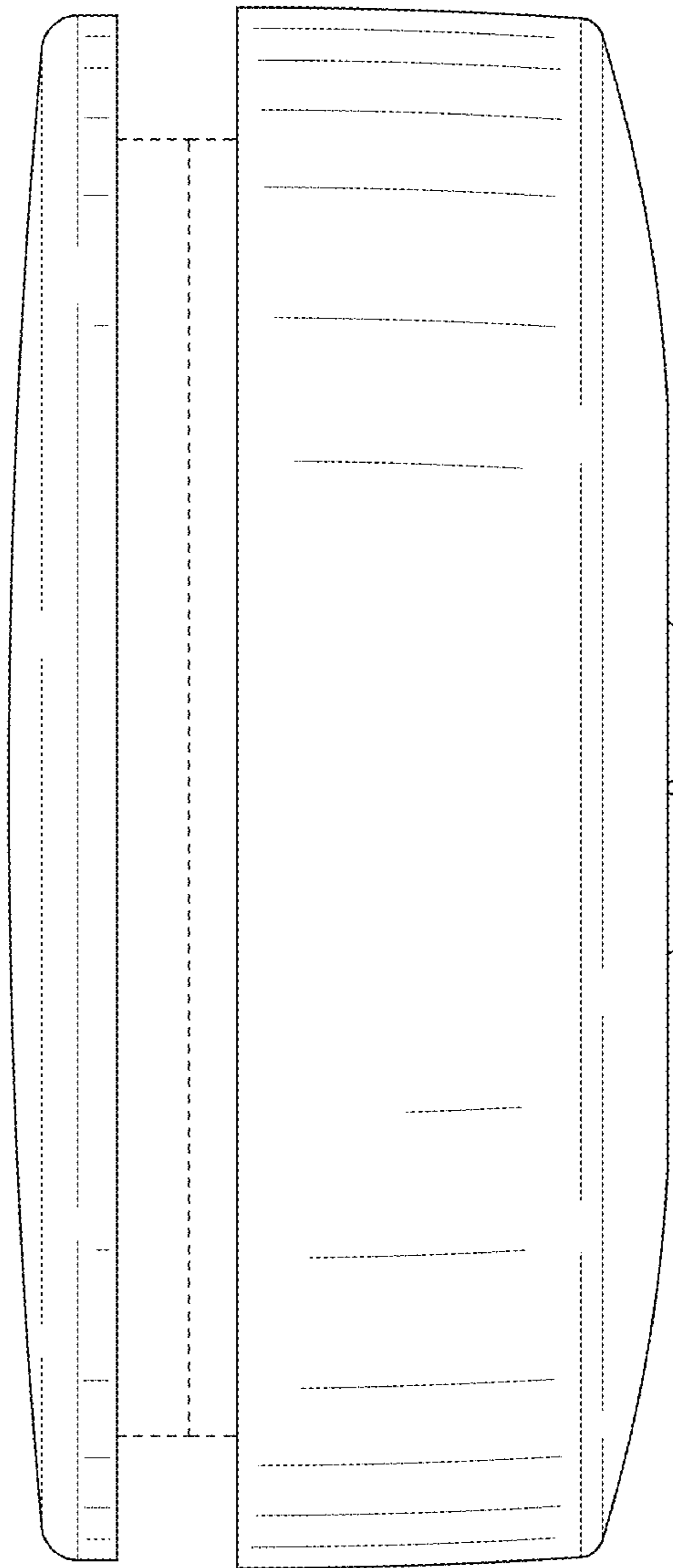


FIG. 11

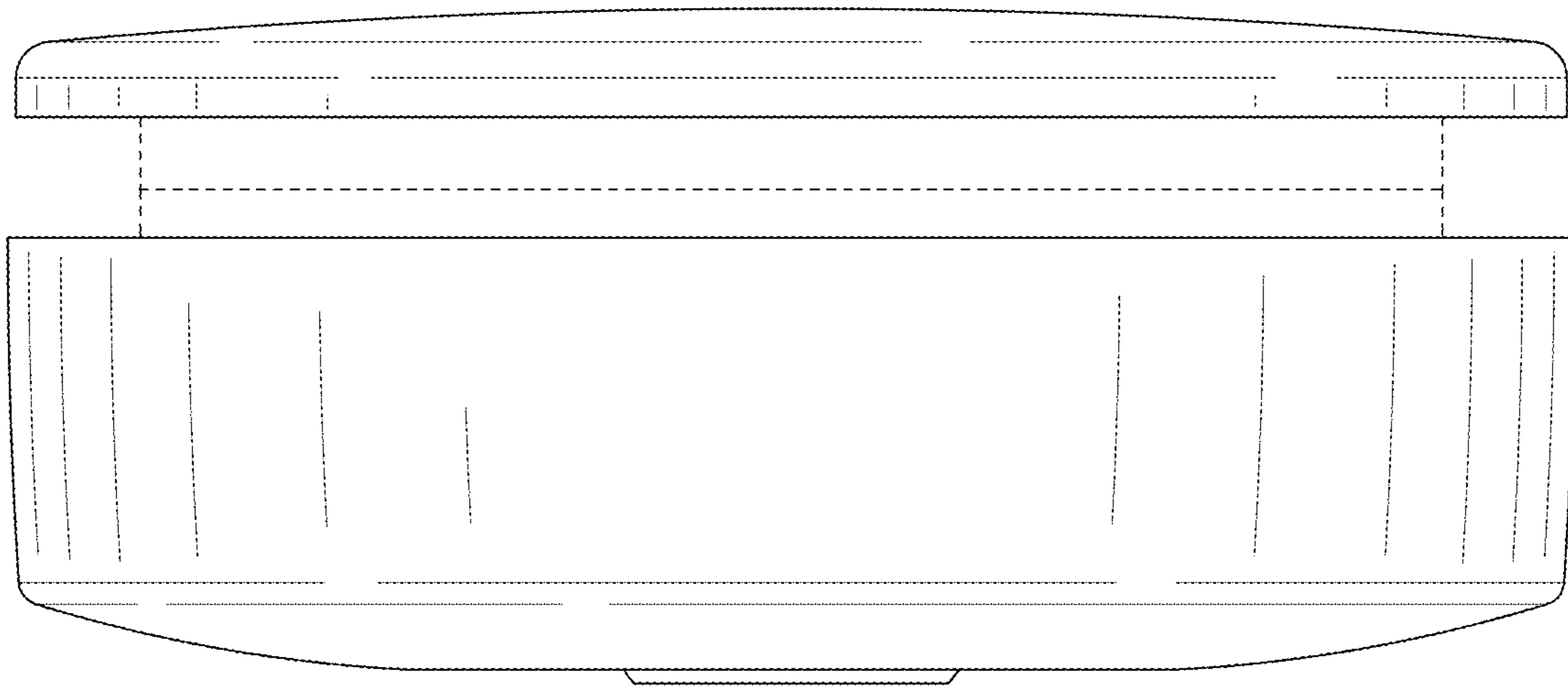


FIG. 12



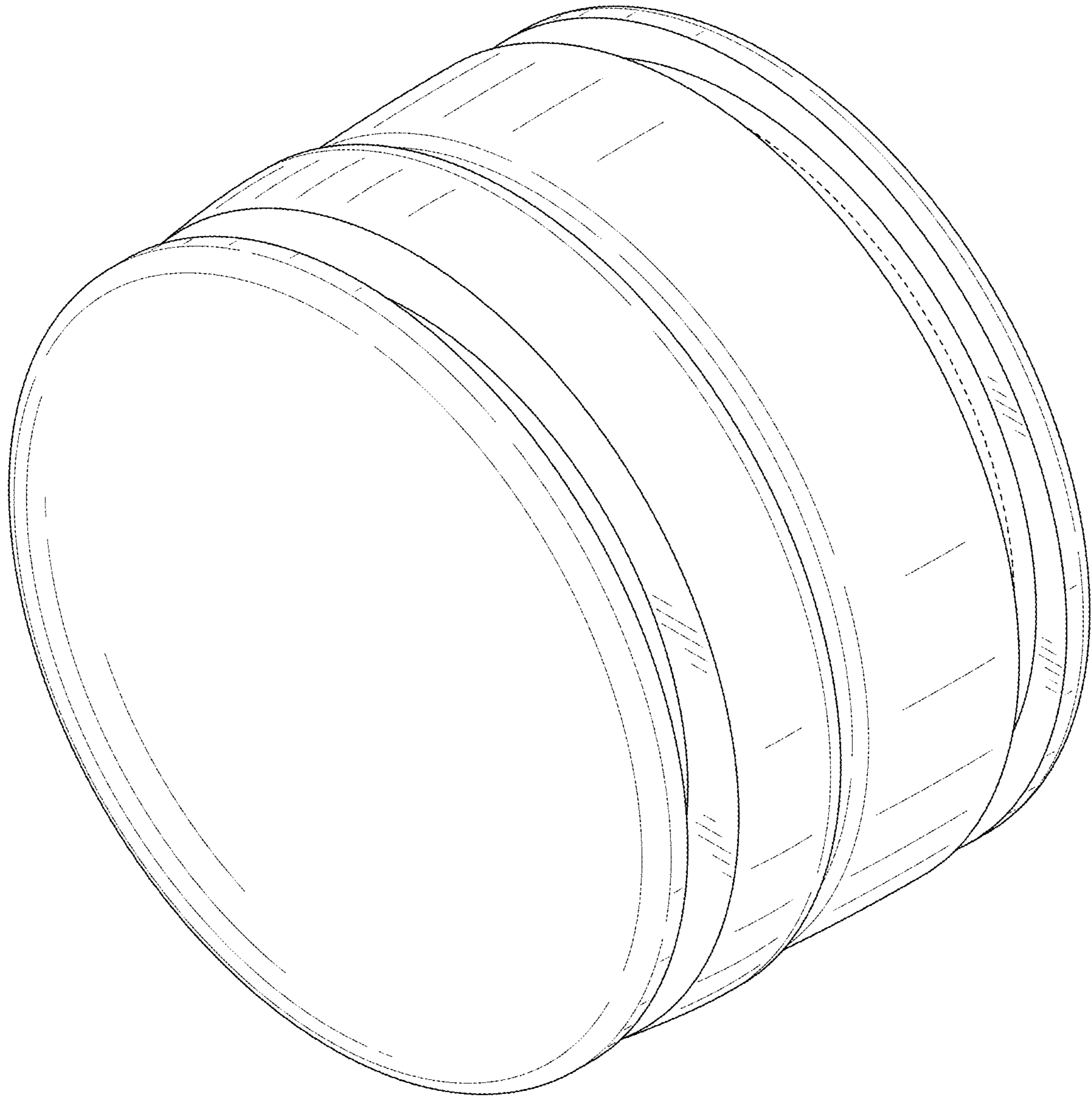


FIG. 13