



US00D934111S

(12) **United States Design Patent** (10) **Patent No.:** **US D934,111 S**  
**Luo** (45) **Date of Patent:** **\*\* Oct. 26, 2021**

(54) **HANGING PLANTER**  
(71) Applicant: **Shenzhen Zongchuangkeji Co., Ltd,**  
Shenzhen (CN)  
(72) Inventor: **Shaoling Luo,** Shenzhen (CN)  
(\*\*) Term: **15 Years**  
(21) Appl. No.: **29/765,446**  
(22) Filed: **Jan. 8, 2021**  
(51) **LOC (13) Cl.** ..... **11-02**  
(52) **U.S. Cl.**  
USPC ..... **D11/148**  
(58) **Field of Classification Search**  
USPC ..... D11/143–156, 164; D6/403, 404, 405,  
D6/556, 557, 558; D9/500, 549, 428  
CPC . A01G 9/02; A01G 9/021; A47G 7/00; A47G  
7/02; A47G 7/06; A47G 7/08  
See application file for complete search history.

D425,326 S 5/2000 Rehmert et al.  
D446,402 S \* 8/2001 Davies ..... D6/403  
D451,298 S \* 12/2001 Thomas ..... D6/404  
D463,320 S \* 9/2002 Root ..... D11/148  
D545,079 S \* 6/2007 Peterson ..... D6/403  
D569,303 S \* 5/2008 Kurtz ..... D11/155  
D581,182 S \* 11/2008 Kurtz ..... D6/403  
D641,567 S \* 7/2011 Bugio ..... D6/403  
D653,583 S 2/2012 Wittenberg et al.  
D655,940 S \* 3/2012 McRae ..... D6/405  
D772,101 S 11/2016 Mullis  
D829,596 S 10/2018 Tao  
D843,881 S 3/2019 Park  
D897,718 S 10/2020 Cute  
2012/0205504 A1\* 8/2012 Cute ..... A47G 7/00  
248/150

(56) **References Cited**  
U.S. PATENT DOCUMENTS  
813,789 A \* 2/1906 Fox ..... B65D 7/20  
220/491  
1,484,403 A \* 2/1924 Miller ..... A47G 7/047  
47/67  
D88,582 S \* 12/1932 Scott et al. .... D6/403  
D186,454 S \* 10/1959 Everhard ..... D6/403  
D245,136 S \* 7/1977 Hughes, Jr. .... D6/405  
D275,432 S \* 9/1984 Chan ..... D11/148  
D275,627 S \* 9/1984 Chan ..... D11/141  
D277,247 S \* 1/1985 Chan ..... D11/141  
D277,435 S \* 2/1985 Chan ..... D11/141  
D278,008 S \* 3/1985 Chan ..... D11/141  
4,607,871 A \* 8/1986 Kirkman ..... A47F 13/06  
294/210  
4,691,473 A \* 9/1987 Ragen ..... A47G 7/047  
248/315  
D297,624 S \* 9/1988 Chan ..... D11/141  
4,882,875 A \* 11/1989 Green ..... A01G 27/005  
47/79

**OTHER PUBLICATIONS**

Triflora 3-Piece Hanging Planter Set by Umbra, \$52.00, online on Wayfair.com, review by Amy on Apr. 4, 2021.\*

\* cited by examiner

*Primary Examiner* — Elizabeth A. Albert  
(74) *Attorney, Agent, or Firm* — Rumit Ranjit Kanakia

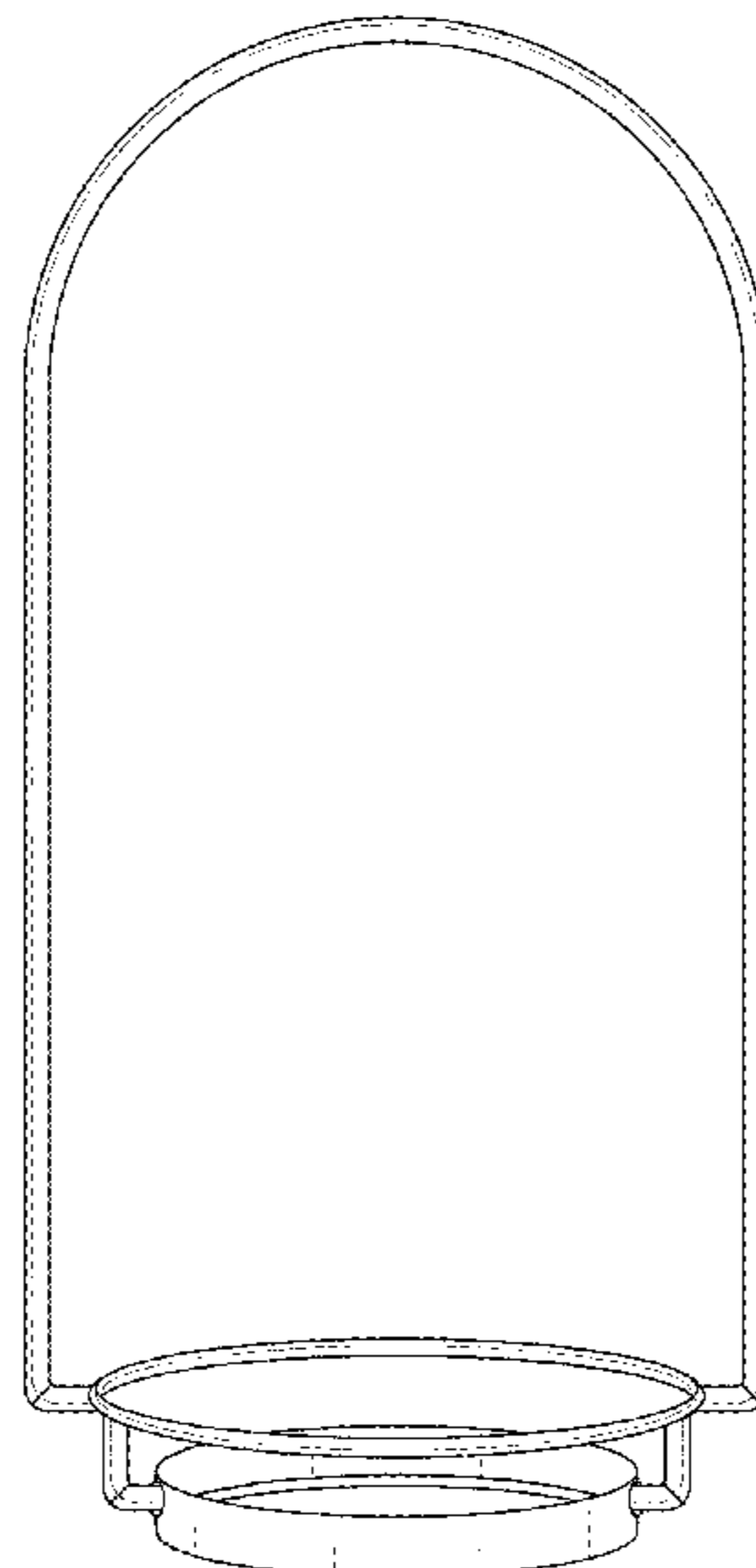
(57) **CLAIM**

I claim the ornamental design for a hanging planter, as shown and described.

**DESCRIPTION**

FIG. 1 is a Perspective view of a hanging planter showing my new design;  
FIG. 2 is a Front view thereof;  
FIG. 3 is a Back view thereof;  
FIG. 4 is a Right-side view thereof;  
FIG. 5 is a Left-side view thereof;  
FIG. 6 is a Top view thereof; and,  
FIG. 7 is a Bottom view thereof.

**1 Claim, 6 Drawing Sheets**



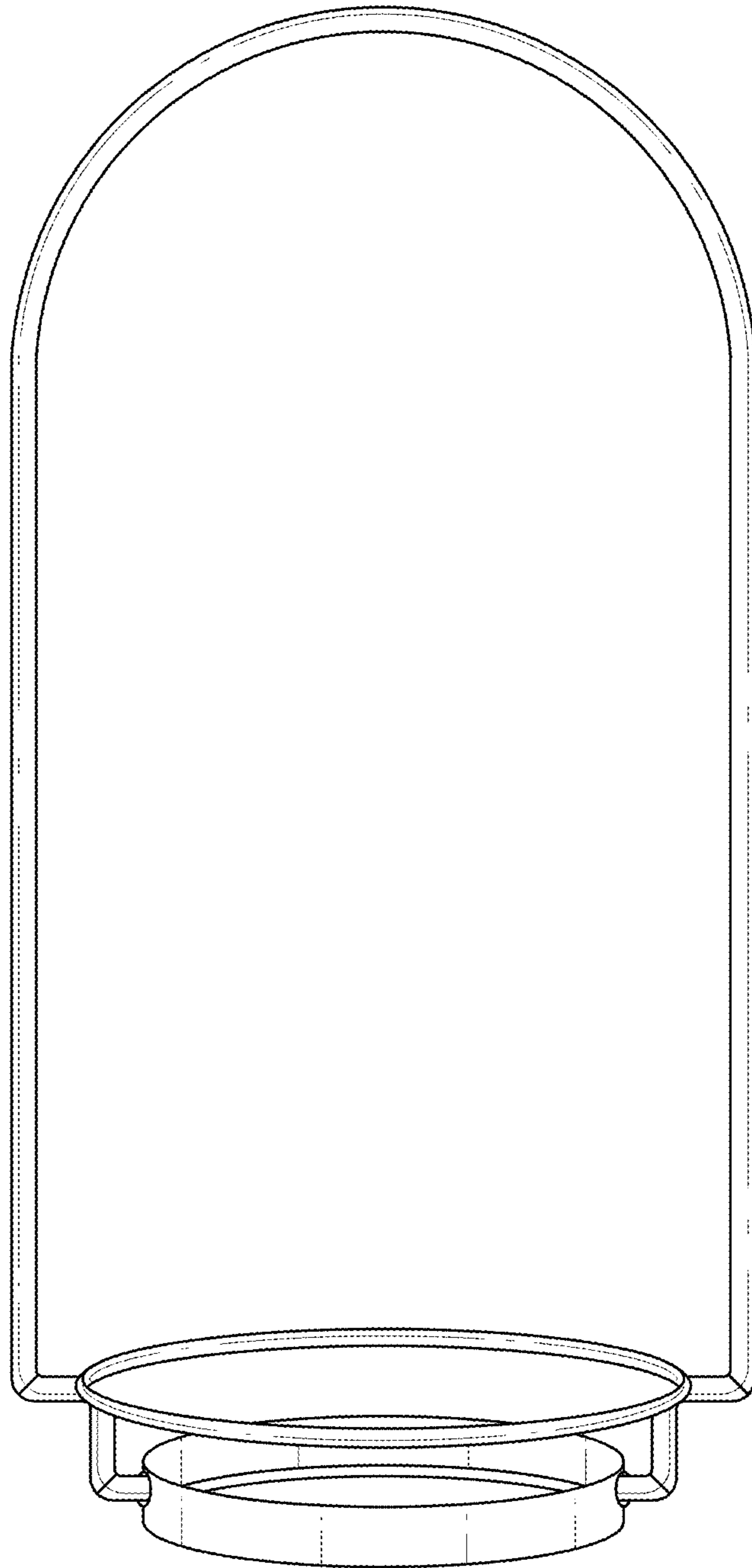


FIG. 1

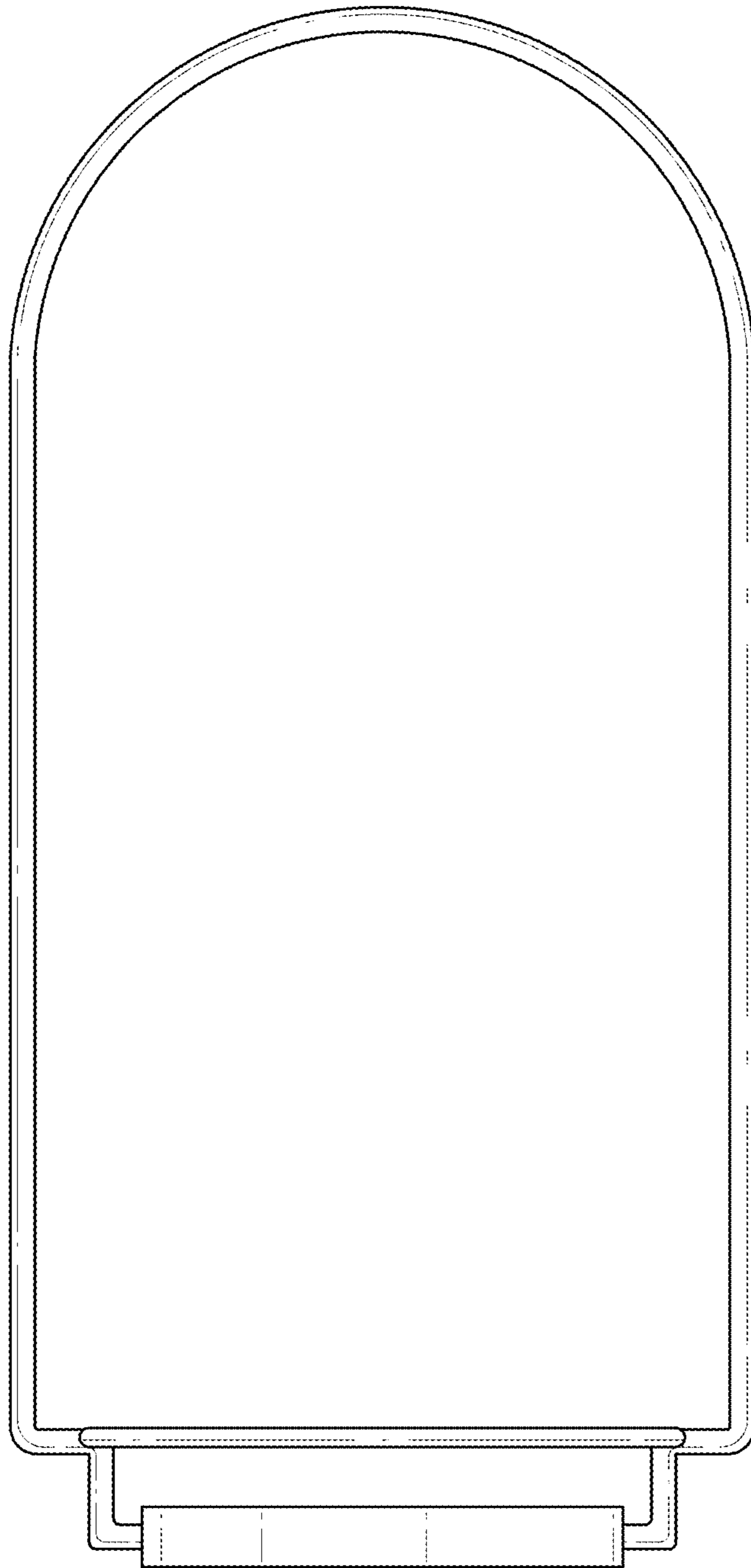


FIG. 2

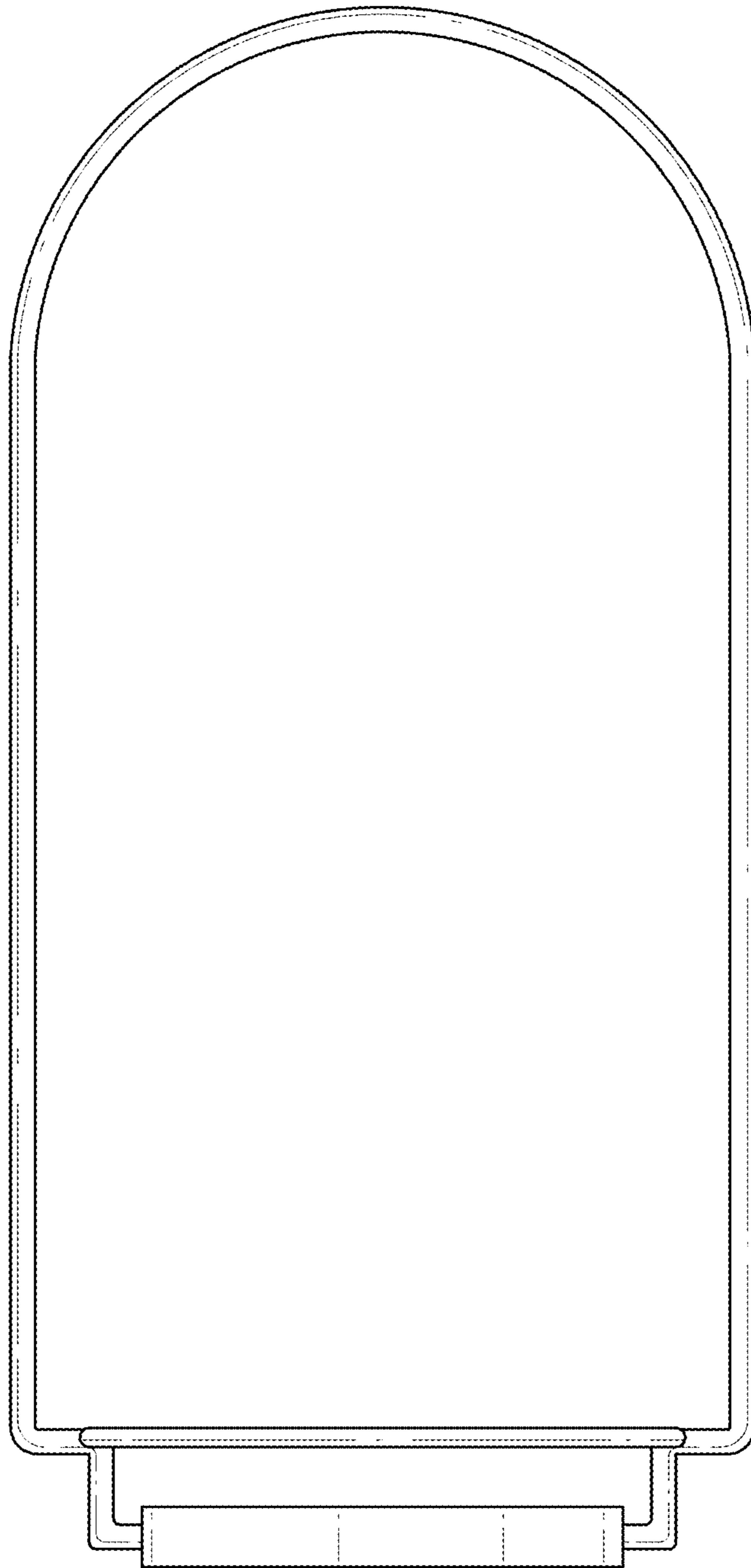


FIG. 3

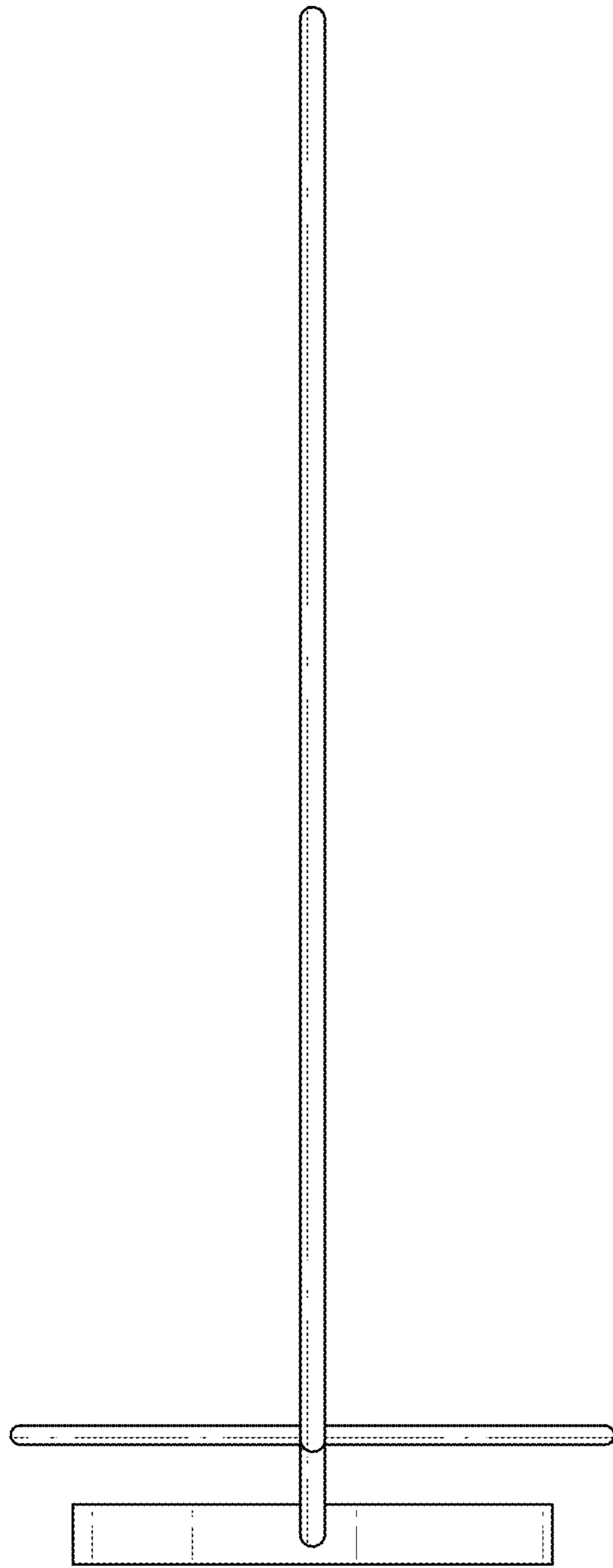


FIG. 4

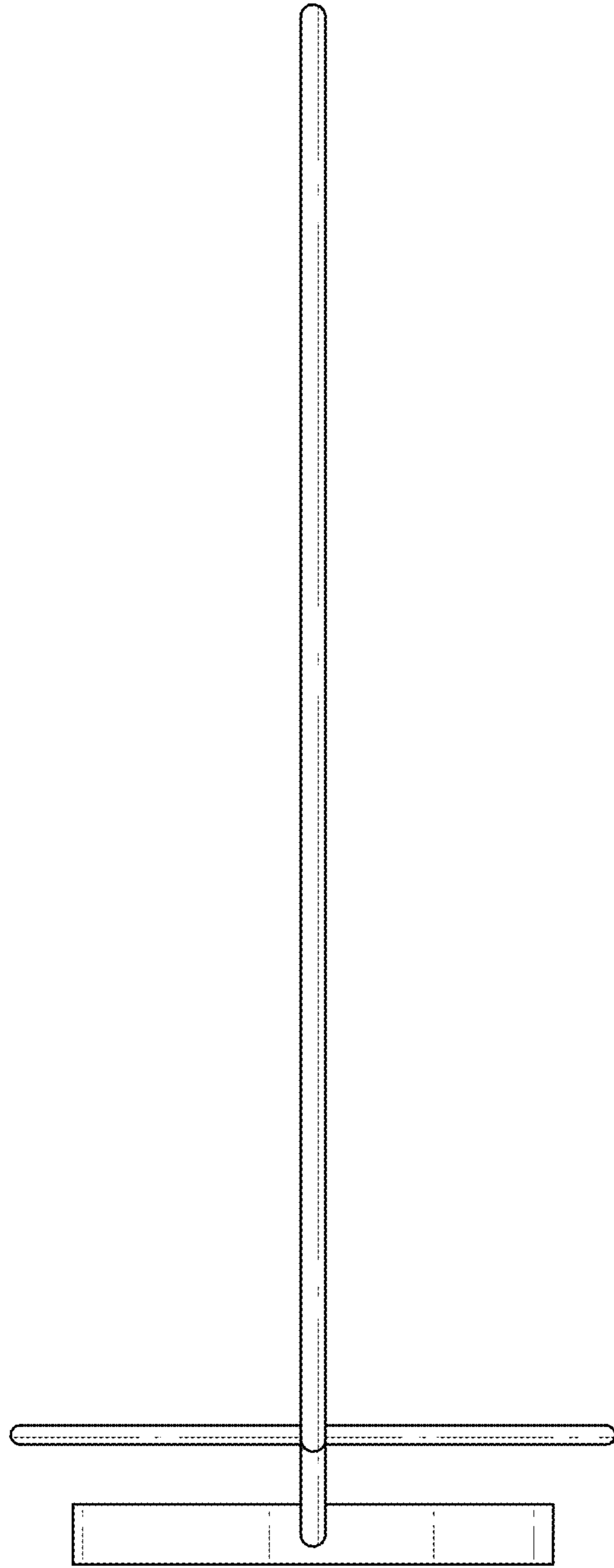


FIG. 5

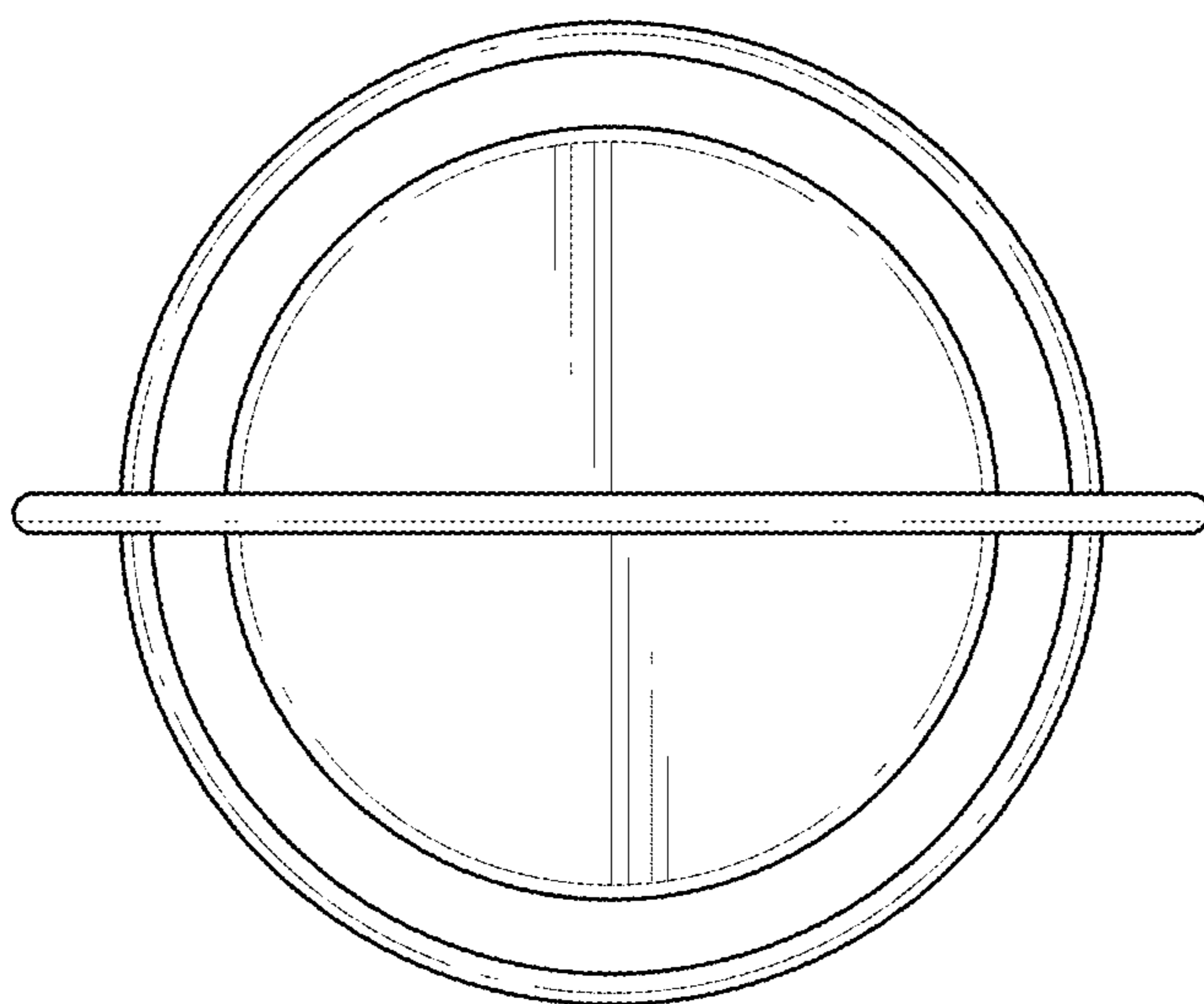


FIG. 6

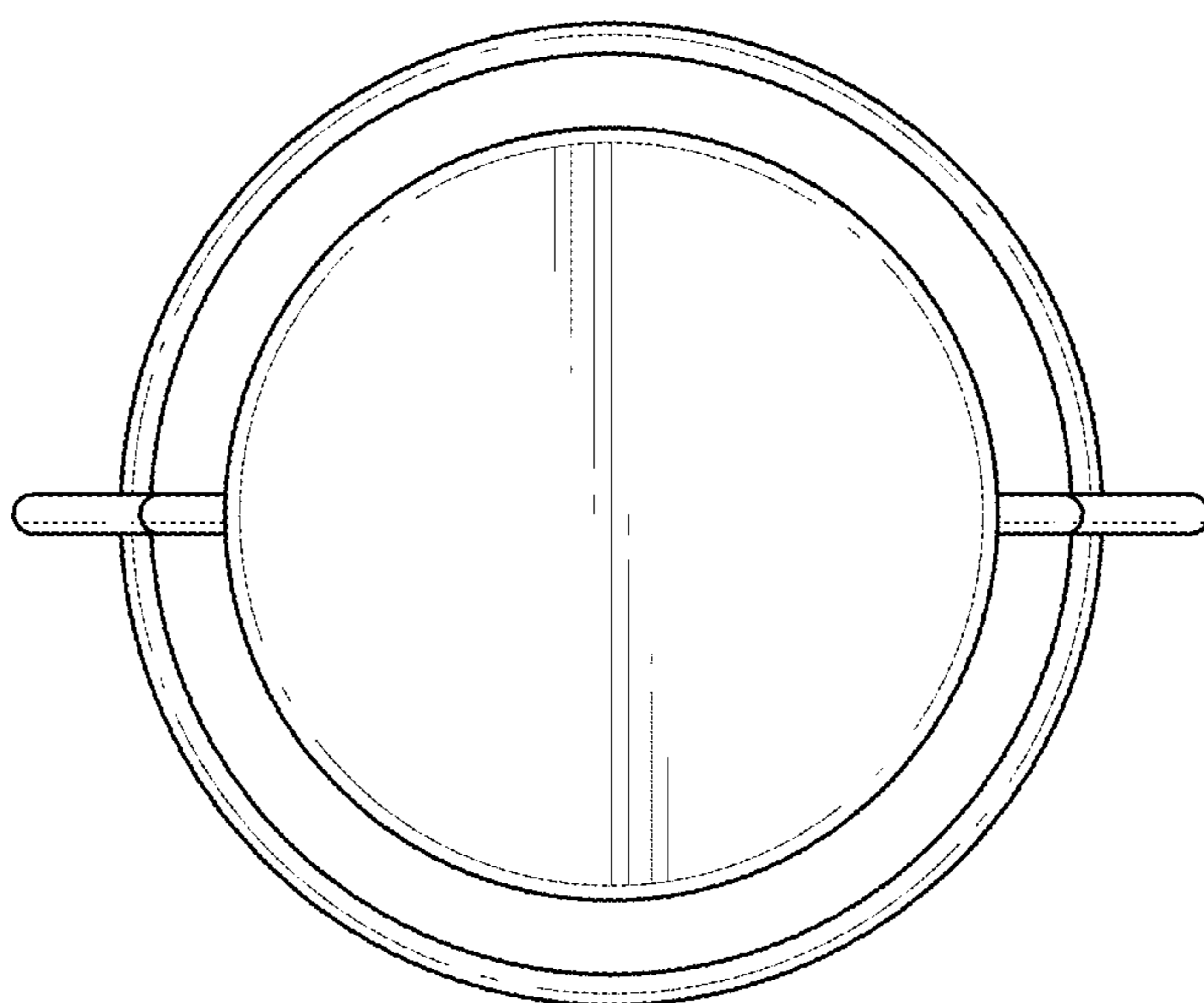


FIG. 7