



US00D934110S

(12) **United States Design Patent** (10) **Patent No.:** **US D934,110 S**
Tibosch (45) **Date of Patent:** **** Oct. 26, 2021**

(54) **MOBILE** 3,810,624 A * 5/1974 McNemar A63F 9/26
273/354
(71) Applicant: **Josephus Petrus Henricus Maria** D258,643 S * 3/1981 Reiback D11/141
(Joost) Tibosch, Nijmegen (NL) D261,158 S * 10/1981 Matsui D11/141
D263,065 S * 2/1982 Matsui D11/141
(72) Inventor: **Josephus Petrus Henricus Maria** D324,351 S * 3/1992 Shing D11/141
(Joost) Tibosch, Nijmegen (NL) D328,573 S * 8/1992 Berry D11/131
D348,320 S * 6/1994 Lin D26/66
D531,231 S * 10/2006 Dillon D21/399
D539,856 S * 4/2007 Moosavi D11/158
(**) Term: **15 Years** 2018/0272241 A1* 9/2018 Ke A63H 1/06

(21) Appl. No.: **35/509,263**

(22) Filed: **Oct. 28, 2019**

(80) **Hague Agreement Data**

Int. Filing Date: **Oct. 28, 2019**
Int. Reg. No.: **DM/207543**
Int. Reg. Date: **Oct. 28, 2019**
Int. Reg. Pub. Date: **May 1, 2020**

(30) **Foreign Application Priority Data**

Jul. 15, 2019 (EM) 006629309-0001

(51) **LOC (13) Cl.** **11-01**

(52) **U.S. Cl.**
USPC **D11/141**

(58) **Field of Classification Search**

USPC D11/131-133, 141, 117, 40, 121, 124,
D11/125, 130, 157, 164, 184, 79;
D21/467, 399; D26/66
CPC A47G 33/00; A47G 33/008; A47G 33/08;
A47G 33/0863; A44C 7/002; A44C
7/009; A44C 7/00; B44C 5/00; B44C
5/06; A41G 1/00; A41G 11/00; A63H
33/26; A63H 29/08; A63H 11/14; A63H
13/12; A63F 9/26; F03G 3/06
See application file for complete search history.

(56) **References Cited**

U.S. PATENT DOCUMENTS

D190,504 S * 6/1961 Rosenfeld D21/399
D201,490 S * 6/1965 Williams D6/674.1

* cited by examiner

Primary Examiner — Melanie Pellegrini

(57) **CLAIM**

The ornamental design for a mobile, as shown and described.

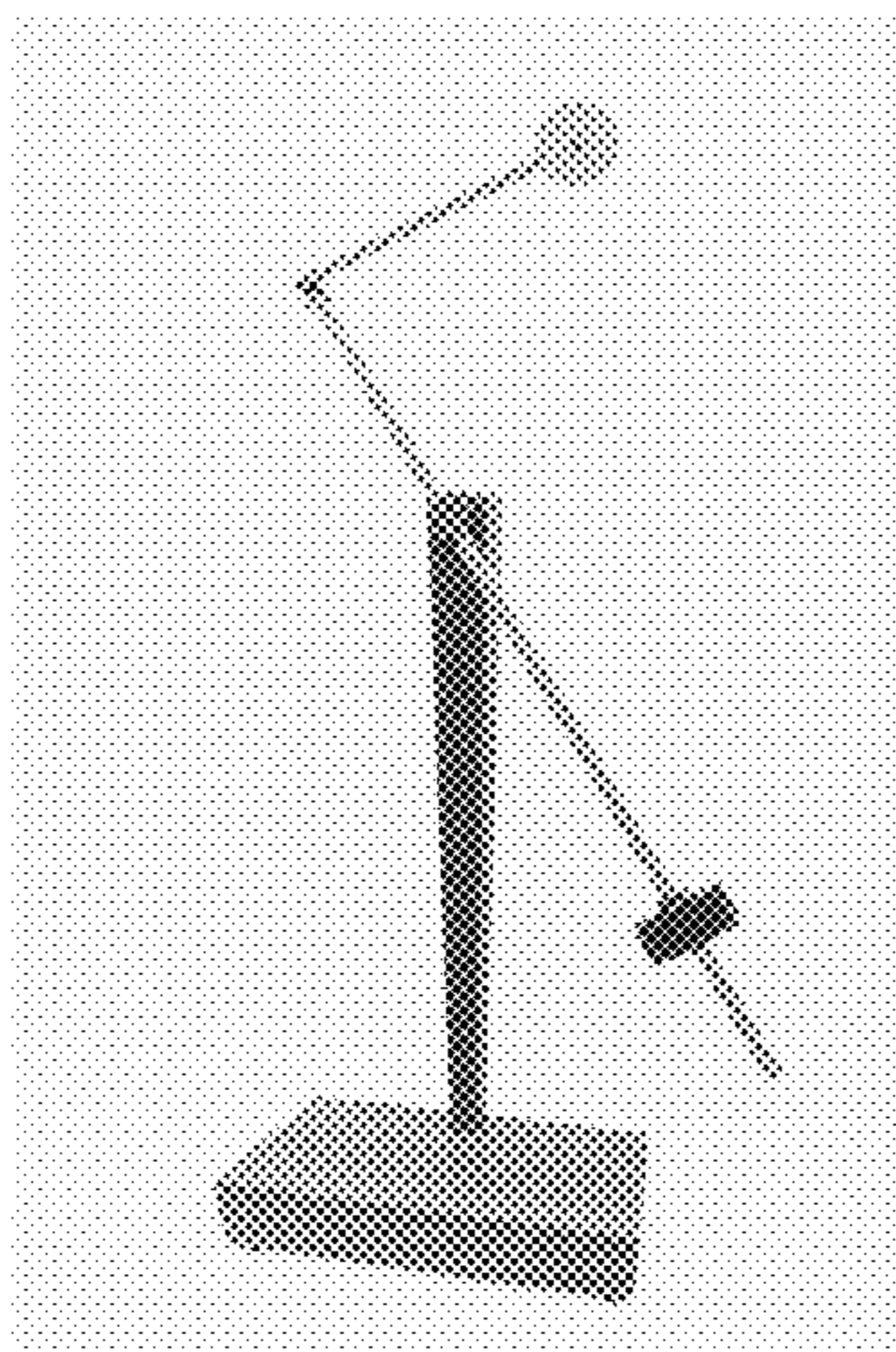
DESCRIPTION

The patent or application file contains at least one drawing executed in color. Copies of this patent or patent application publication with color drawing(s) will be provided by the Office upon request and payment of the necessary fee.

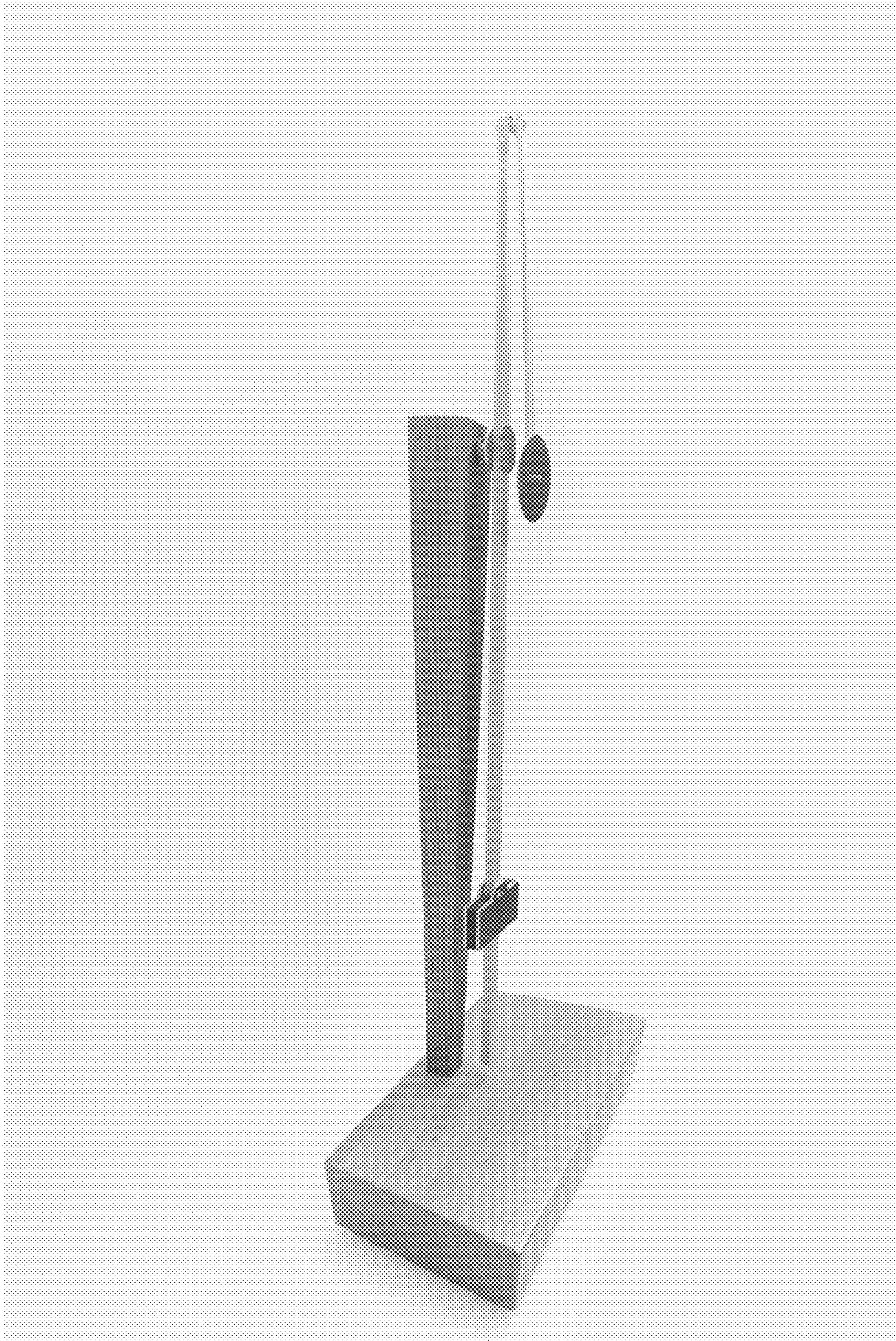
- 1.-2. Mobile
- 2.1 : Left
- 2.2 : Perspective
- 2.3 : in use
- 2.4 : in use
- 2.5 : in use
- 2.6 : detail
- 2.7 : detail

Table model of a mobile which is a kinetic sculpture; it has to be set in motion by hand, by lifting the weights and release them; the biggest weight (in the form of a suitcase) can be adjusted in height; it is made of bamboo, nickel-plated iron, wood and ball bearings.

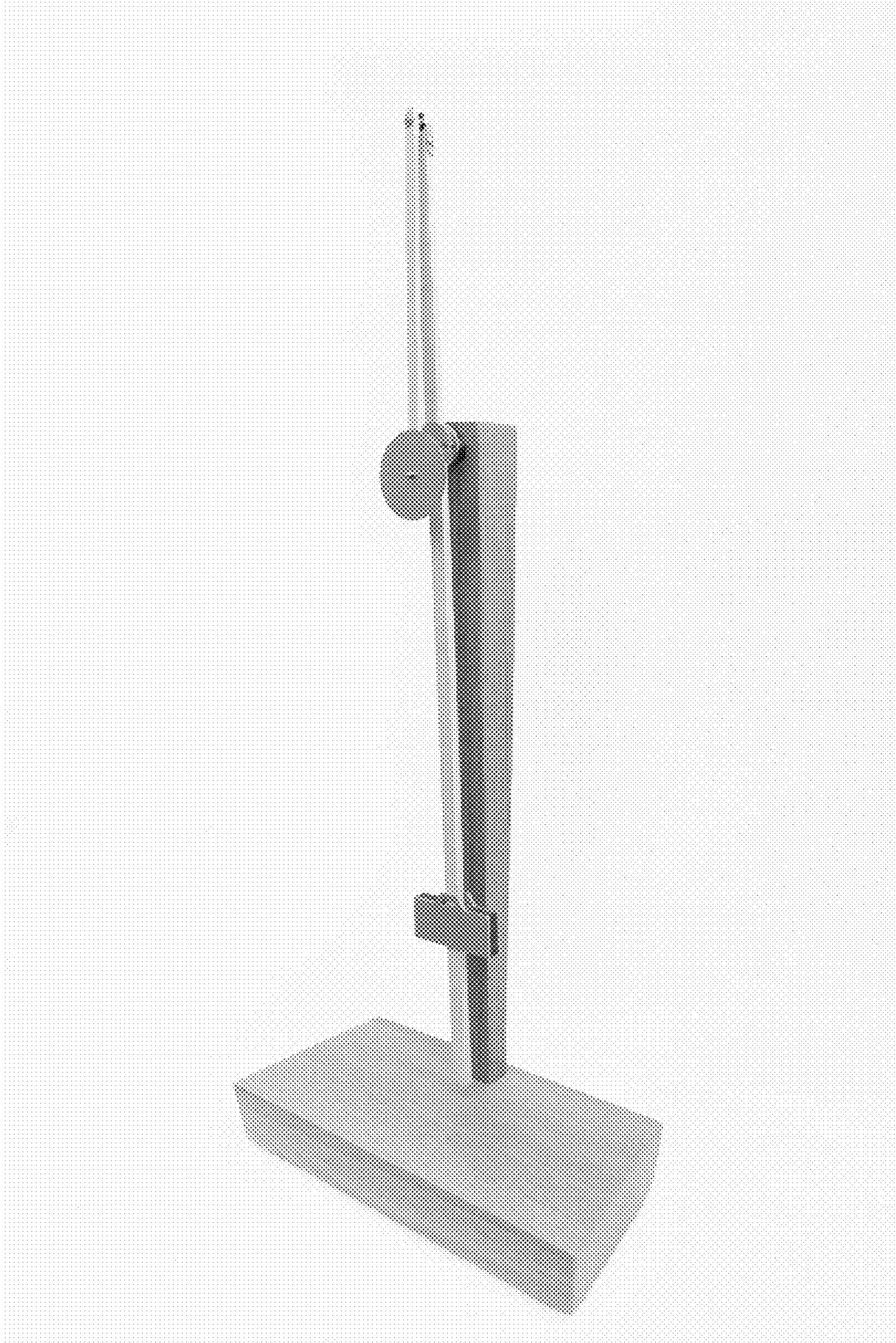
1 Claim, 7 Drawing Sheets
(7 of 7 Drawing Sheet(s) Filed in Color)



2.1



2.2



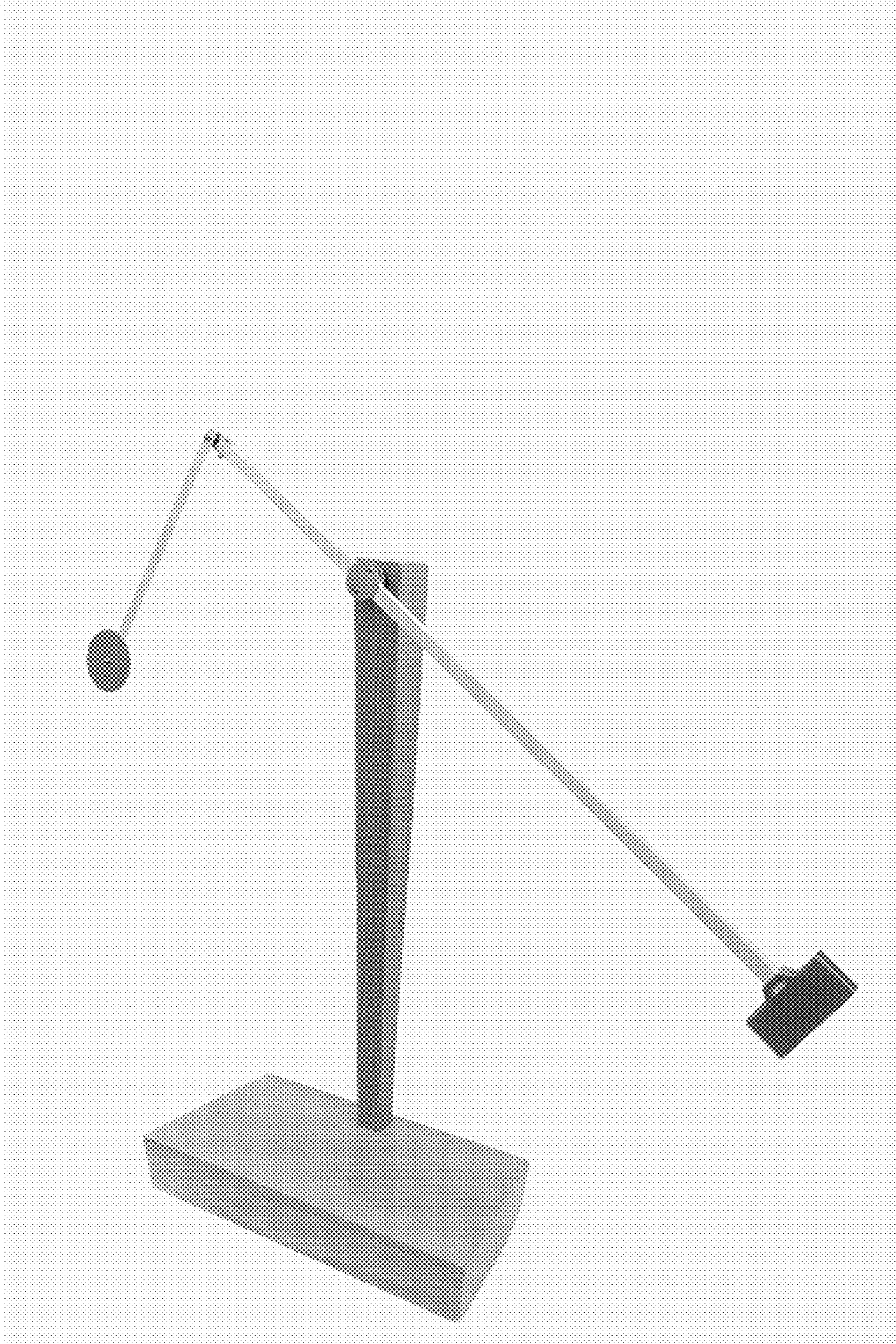
2.3



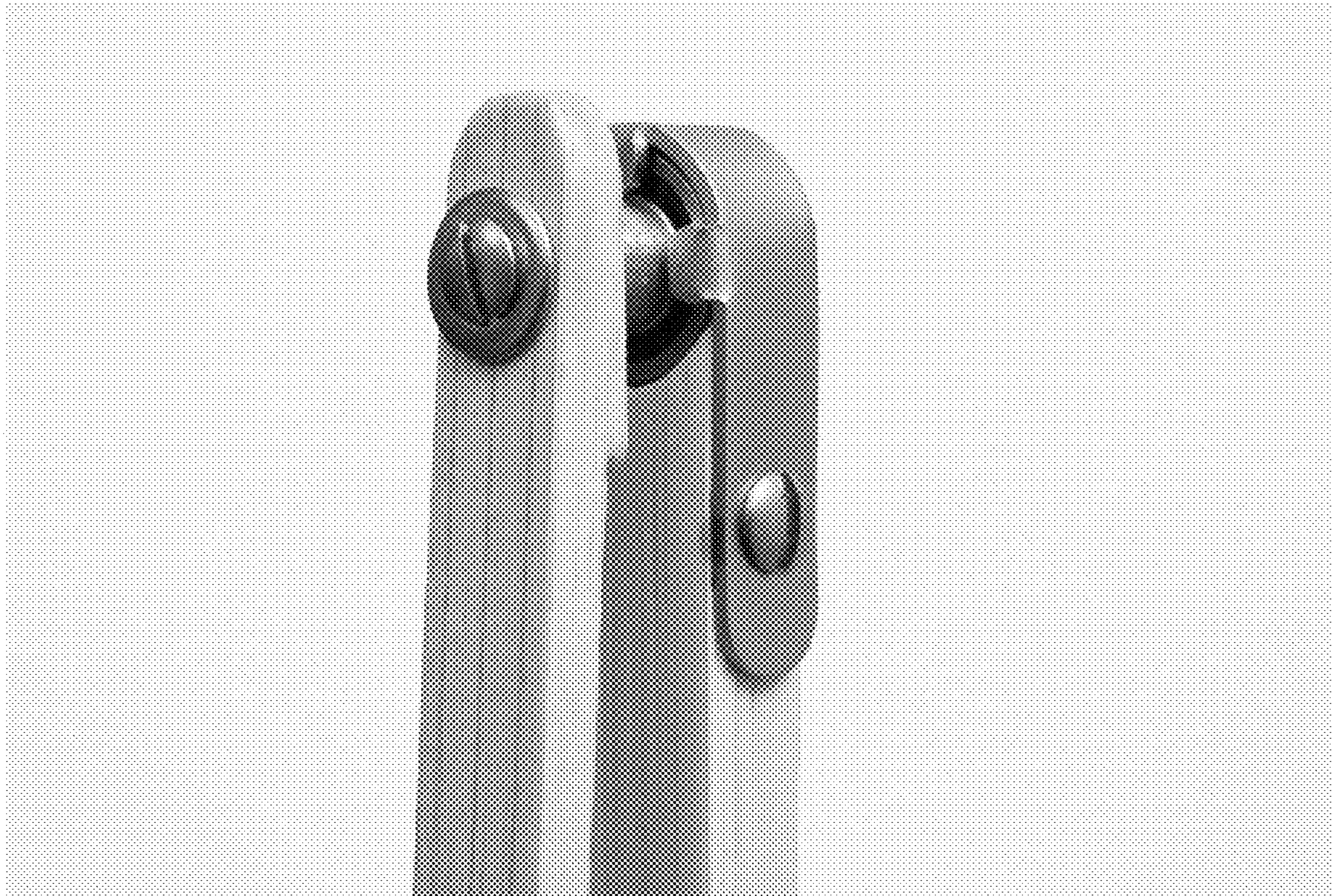
2.4



2.5



2.6



2.7

