



US00D934109S

(12) **United States Design Patent** (10) **Patent No.:** **US D934,109 S**  
**May** (45) **Date of Patent:** **\*\* Oct. 26, 2021**

- (54) **POPPER PENDANT NECKLACE**
- (71) Applicant: **MUNCHABLES SENSORY SOLUTIONS LTD.**, Nanoose Bay (CA)
- (72) Inventor: **Laura May**, Nanoose Bay (CA)
- (73) Assignee: **MUNCHABLES SENSORY SOLUTIONS LTD.**, Nanoose Bay (CA)
- (\*\*) Term: **15 Years**
- (21) Appl. No.: **29/773,244**
- (22) Filed: **Mar. 8, 2021**
- (51) **LOC (13) Cl.** ..... **11-01**
- (52) **U.S. Cl.**  
USPC ..... **D11/79**
- (58) **Field of Classification Search**  
USPC ..... D3/207-211; D11/79-86, 56, 61, 40, 1, D11/41-45; D24/195  
CPC ..... A44C 1/00; A44C 25/00; A44C 25/001; A44C 25/002; A44C 25/007; A44C 15/00; A44C 15/003; A44C 15/005; A44C 15/0055; A44C 15/006  
See application file for complete search history.

- D455,097 S \* 4/2002 Salvarani ..... D11/79
- D456,986 S \* 5/2002 Truisi ..... D3/208
- D517,939 S \* 3/2006 Zoullas ..... D11/86

(Continued)

**OTHER PUBLICATIONS**

[Online] "Bubble Popper" [https://www.munchables.ca/products/bubble-popper?\\_pos=12&\\_sid=9ac2352c3&\\_ss=r](https://www.munchables.ca/products/bubble-popper?_pos=12&_sid=9ac2352c3&_ss=r). Retrieved Sep. 10, 2021.\*

(Continued)

*Primary Examiner* — Melanie Pellegrini  
(74) *Attorney, Agent, or Firm* — Loza & Loza LLP; Kevin L. Soules

(57) **CLAIM**

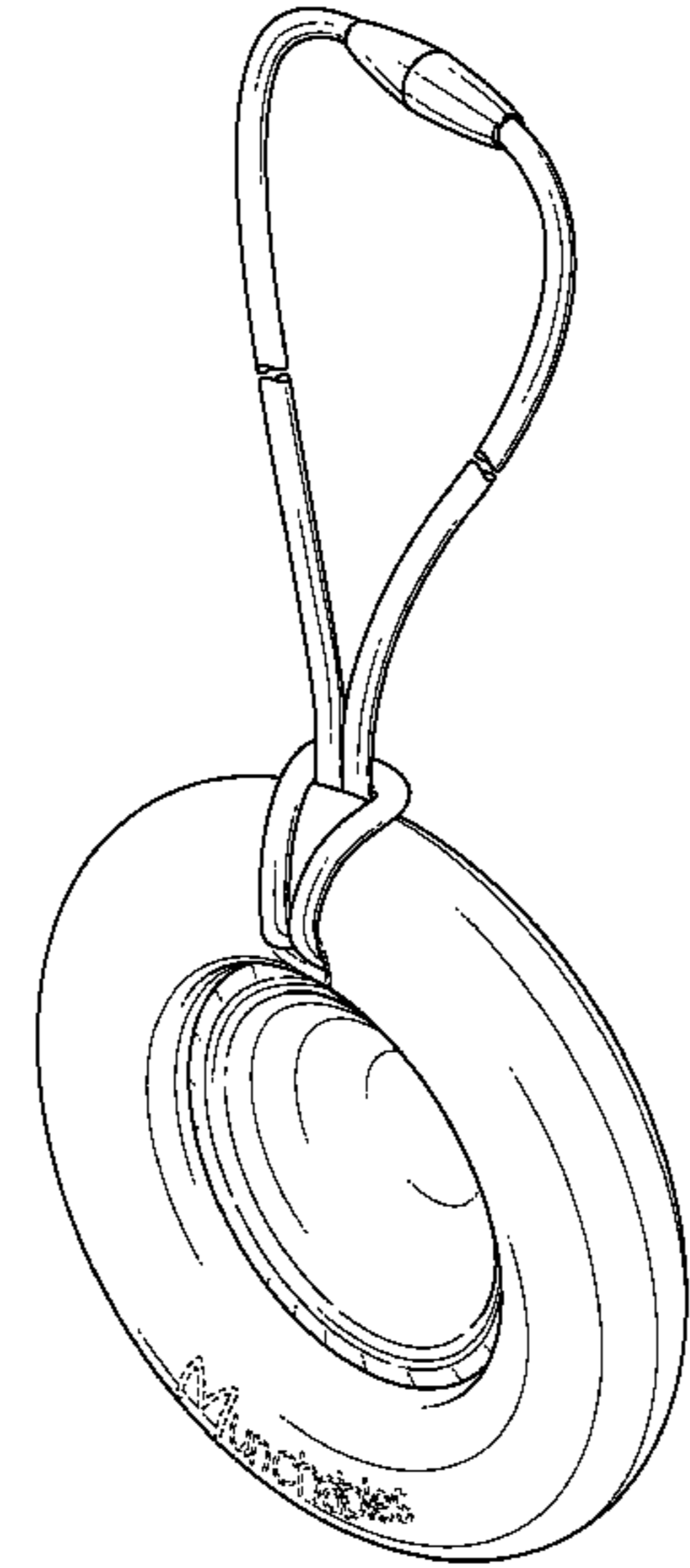
The ornamental design for a popper pendant necklace, as shown and described.

**DESCRIPTION**

FIG. 1 is a front perspective view of a popper pendant necklace, according to the present invention;  
 FIG. 2 is a front elevation view of the popper pendant necklace of FIG. 1;  
 FIG. 3 is a rear elevation view of the popper pendant necklace of FIG. 1;  
 FIG. 4 is a left side elevation view of the popper pendant necklace of FIG. 1;  
 FIG. 5 is a right side elevation view of the popper pendant necklace of FIG. 1;  
 FIG. 6 is a top view of the popper pendant necklace of FIG. 1;  
 FIG. 7 is a bottom view of the popper pendant necklace of FIG. 1; and,  
 FIG. 8 is a rear perspective view of the popper pendant necklace of FIG. 1.  
 Broken lines, where present, illustrate portions of the popper pendant necklace that form no part of the claimed design. The cord element is shown with portions cut away to indicate a non-specified length.

**1 Claim, 6 Drawing Sheets**

- (56) **References Cited**  
U.S. PATENT DOCUMENTS  
2,152,957 A 4/1939 Davis  
3,913,362 A \* 10/1975 Goessling ..... A44B 15/00  
70/459  
D247,995 S \* 5/1978 Lage ..... D3/211  
D301,156 S 5/1989 Bullard  
D301,561 S \* 6/1989 Westmoland ..... D11/40  
D303,230 S \* 9/1989 Westmoland ..... D11/45  
D386,123 S \* 11/1997 Fletcher ..... D3/211  
D428,495 S 7/2000 Jones



(56)

References Cited

U.S. PATENT DOCUMENTS

D522,234 S \* 6/2006 Murphy ..... D3/209  
 D527,427 S \* 8/2006 Andersen  
 D608,541 S \* 1/2010 Myers ..... D3/215  
 7,712,332 B2 \* 5/2010 Wright ..... A44C 25/001  
 63/3  
 7,803,033 B1 9/2010 Walterscheid  
 7,927,177 B1 4/2011 Walterscheid  
 8,061,068 B1 \* 11/2011 Donovan ..... A44C 3/004  
 40/586  
 D695,643 S \* 12/2013 Wolff ..... D11/79  
 D712,298 S \* 9/2014 Taylor-Cattapan ..... D11/79  
 D717,376 S 11/2014 Dixon  
 D733,889 S \* 7/2015 Brandis ..... D24/174  
 D768,114 S \* 10/2016 Hou ..... D14/218  
 D768,979 S \* 10/2016 Waters ..... D3/207  
 D776,370 S 1/2017 Miksovsky et al.  
 D780,436 S \* 3/2017 Fraser ..... D3/207  
 D794,556 S \* 8/2017 Liao ..... D13/107  
 D828,213 S \* 9/2018 Kohl ..... D11/80  
 D832,127 S \* 10/2018 Grois ..... D11/2  
 D859,533 S 9/2019 Landi, Jr.  
 10,525,372 B2 1/2020 Fish  
 10,588,385 B1 \* 3/2020 Borgese ..... A44C 25/001  
 D892,493 S \* 8/2020 Carson ..... D3/207  
 D924,722 S \* 7/2021 Deng ..... D11/141  
 D926,075 S \* 7/2021 Deng ..... D11/141

OTHER PUBLICATIONS

[Online] "Munchewy . . ." [https://www.amazon.com/Munchewy-Necklaces-Miniature-Autistic-Children/dp/B097SKBPBM/ref=pd\\_](https://www.amazon.com/Munchewy-Necklaces-Miniature-Autistic-Children/dp/B097SKBPBM/ref=pd_)

sbs\_2/144-7614122-6709747?pd\_rd\_w=KXyHD&pf\_rd\_p=8b76d7a7-ab83-4ddc-a92d-e3e33bfdbf03&pf\_rd\_r=K6W019TJ5RXYZB50HJH1&pd\_rd\_r=65c4431b-1943-4455-a2b5-cc38adc301e8&pd\_rd\_wg=anWgb&pd\_rd\_i=B097SKBPBM&psc=1.\*  
 amazon.com. ArtCreativity 2 Inch Rubber Pop Up Popper Toys—Pack of 12—Assorted Colors—Ideal Impulse Item—Dropper Popper Toy—Great Small Game Prizes, Party Favor and Gift Idea for Boys and Girls Ages 3+. URL: <https://www.amazon.com/ArtCreativity-Poppers-Assorted-Impulse-Dropper/dp/B07D8JH4T3>. Accessed Feb. 24, 2021.  
 amazon.com. APop Simple Dimple Fidget Toy—5 PCS Mini Push it Pop Bubble Fidget Toys Sensory popper, Portable Stress Relief Hand Keychain for Kids Adults in Home, School and Office (Green, Red, Blue, Pink, Purple). URL: [https://www.amazon.com/Pop-Simple-Dimple-Fidget-Toy/dp/B08VF6XNNR/ref=sr\\_1\\_36?crid=2NM9KHV2MFCUO&dchild=1&keywords=pop+simple+dimple+fidget+toy&qid=1614717938&sprefix=Pop+Simple+dim%2Caps%2C207&sr=8-36](https://www.amazon.com/Pop-Simple-Dimple-Fidget-Toy/dp/B08VF6XNNR/ref=sr_1_36?crid=2NM9KHV2MFCUO&dchild=1&keywords=pop+simple+dimple+fidget+toy&qid=1614717938&sprefix=Pop+Simple+dim%2Caps%2C207&sr=8-36). Accessed Mar. 6, 2021.  
 amazon.com. DOUDOUR Stress Relief Key Chain, Simple Dimple Fidget Toy Popper, Handheld Mini Fidget Toy, Stress Relief Hand Sensory Toys, 1PCS (red). URL: [https://www.amazon.com/DOUDOUR-Stress-Relief-Handheld-Sensory/dp/B08X49FH7T/ref=sr\\_1\\_2?crid=1PEFOXJIOIPM&dchild=1&keywords=doudour&qid=1614718190&sprefix=doudour%2Caps%2C2388sr=8-2](https://www.amazon.com/DOUDOUR-Stress-Relief-Handheld-Sensory/dp/B08X49FH7T/ref=sr_1_2?crid=1PEFOXJIOIPM&dchild=1&keywords=doudour&qid=1614718190&sprefix=doudour%2Caps%2C2388sr=8-2). Accessed Mar. 6, 2021.  
 amazon.com. HUALONG Fidget Simple Dimple Toy Keychain Stress Reliever Toy Portable Handheld Mini Decompression Toy Simple Dimple Fidget Popper Toy Sensory Toy. URL: [https://www.amazon.com/HUALONG-Keychain-Reliever-Portable-Decompression/dp/B08X214XDQ/ref=sr\\_1\\_1?dchild=1&keywords=Hualong+fidget&qid=1614718226&sr=8-1](https://www.amazon.com/HUALONG-Keychain-Reliever-Portable-Decompression/dp/B08X214XDQ/ref=sr_1_1?dchild=1&keywords=Hualong+fidget&qid=1614718226&sr=8-1). Accessed Mar. 6, 2021.

\* cited by examiner

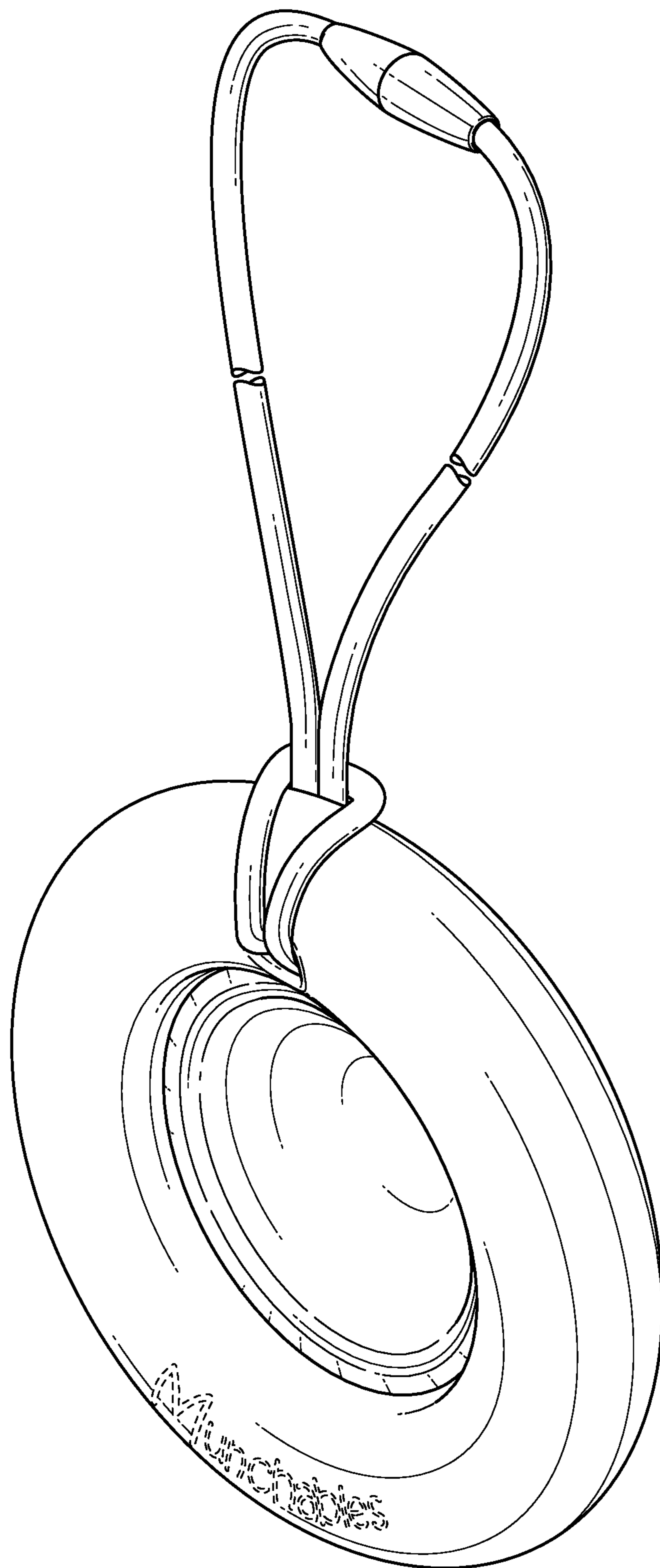


FIG. 1

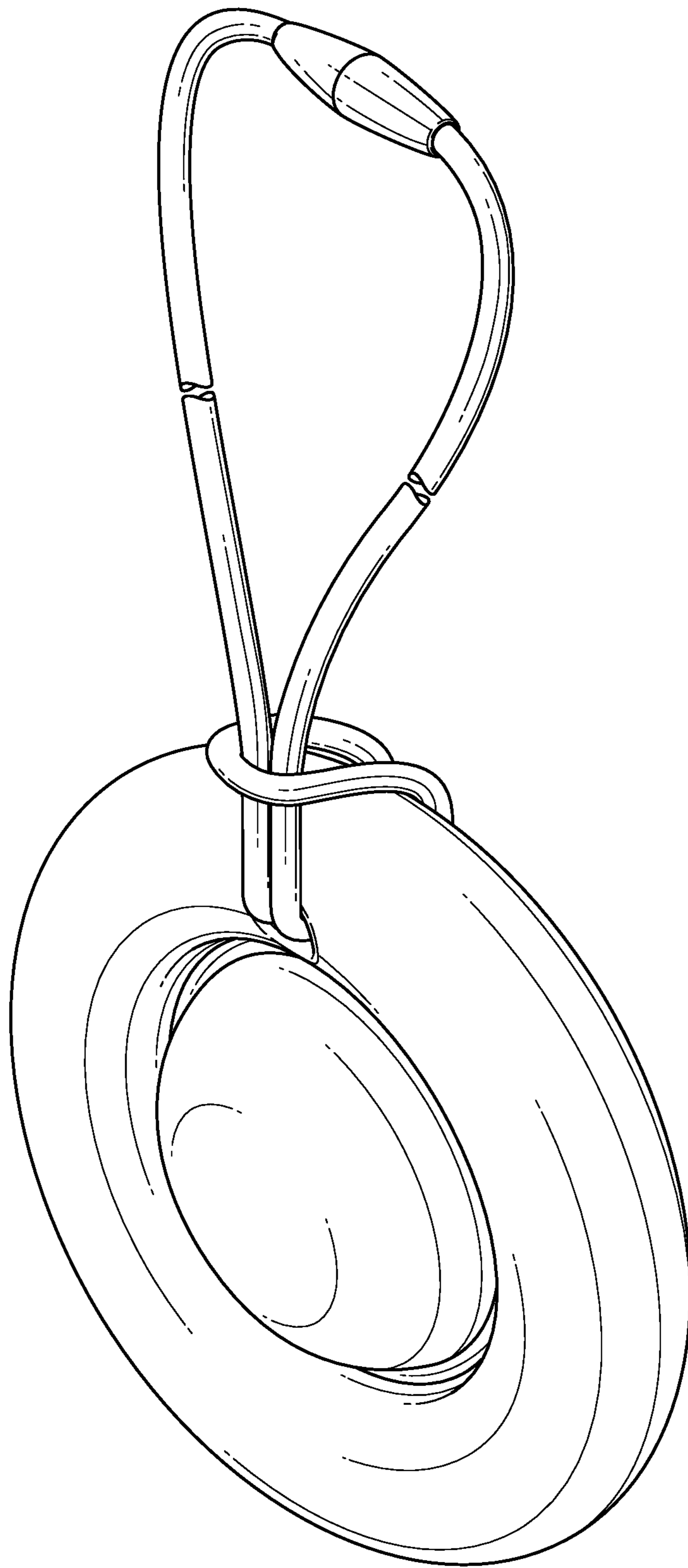


FIG. 2



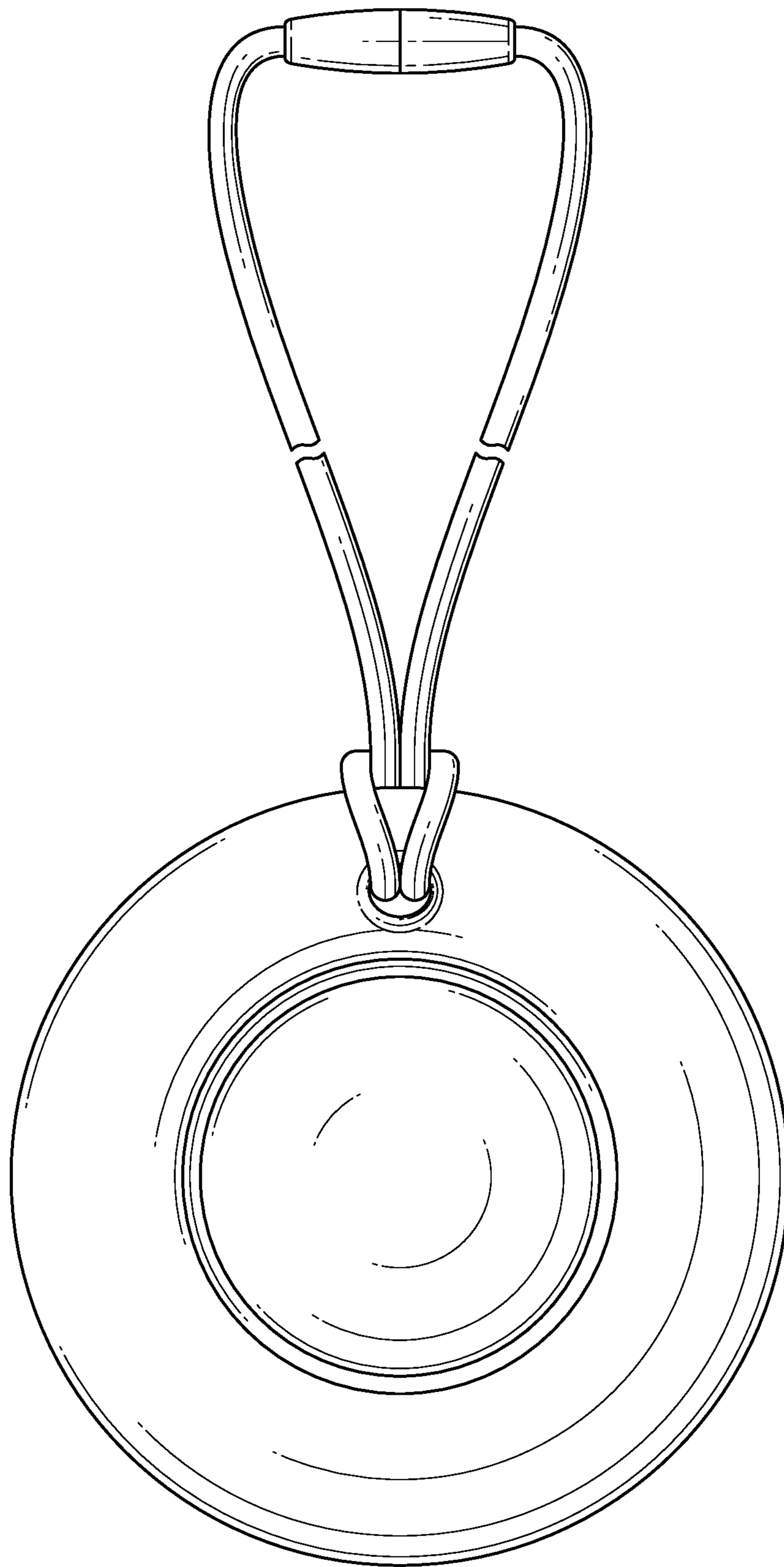


FIG. 3

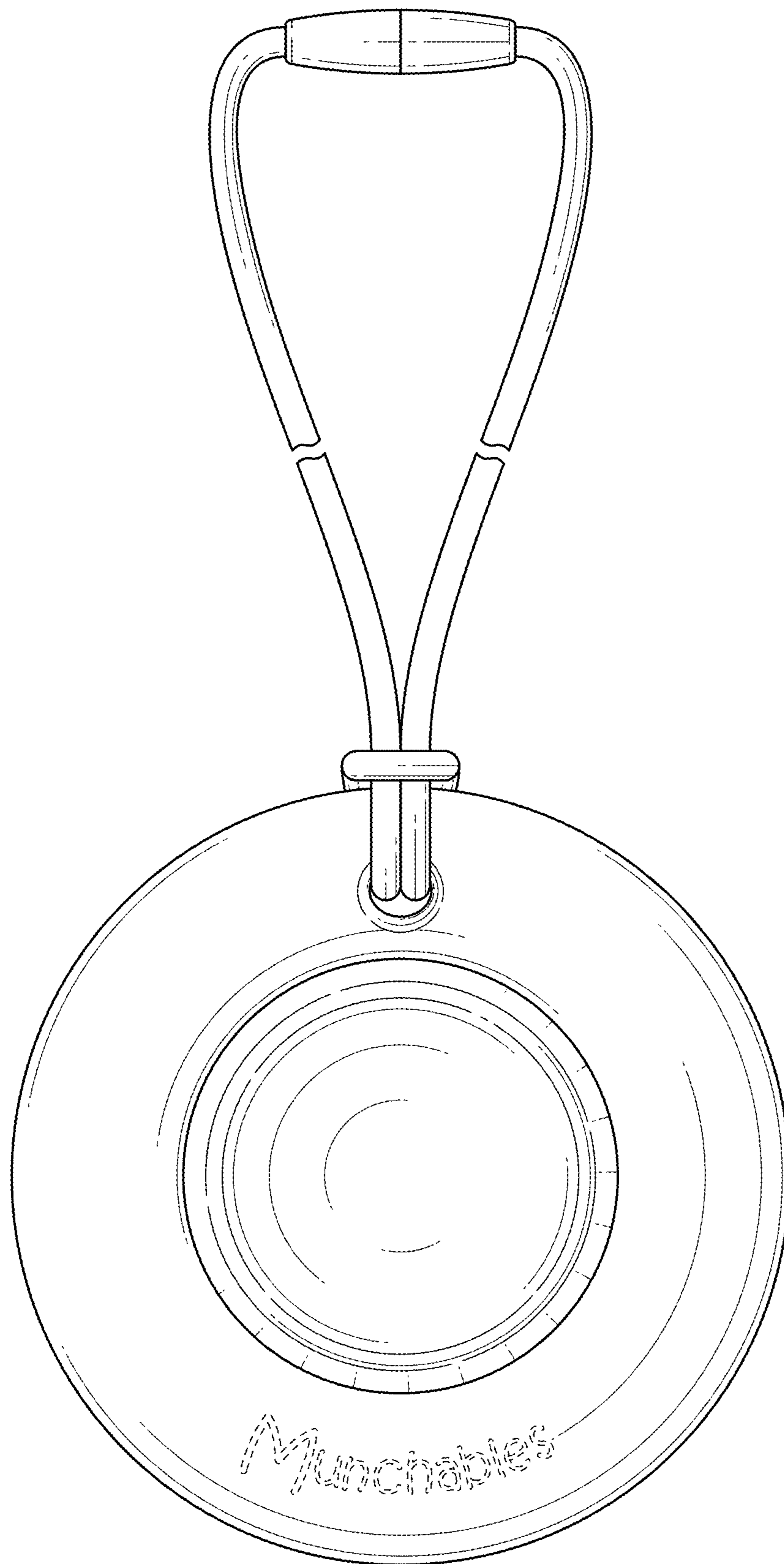


FIG. 4

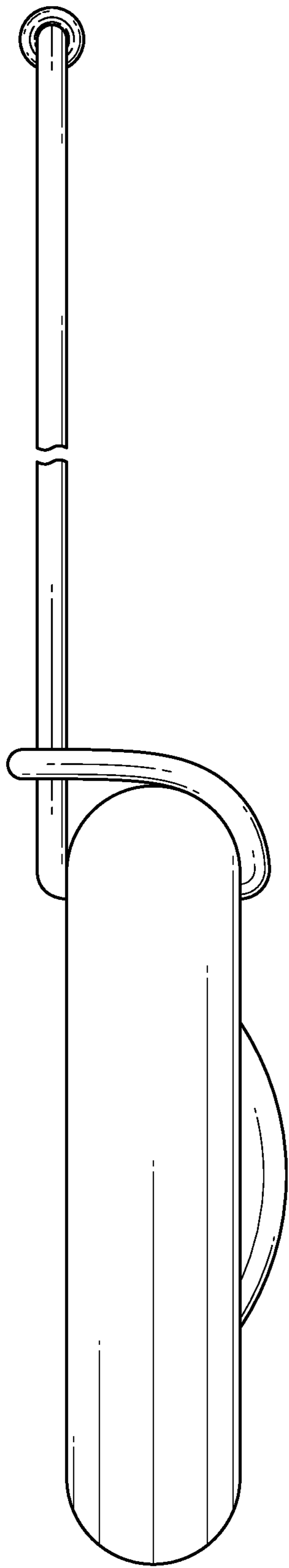


FIG. 5

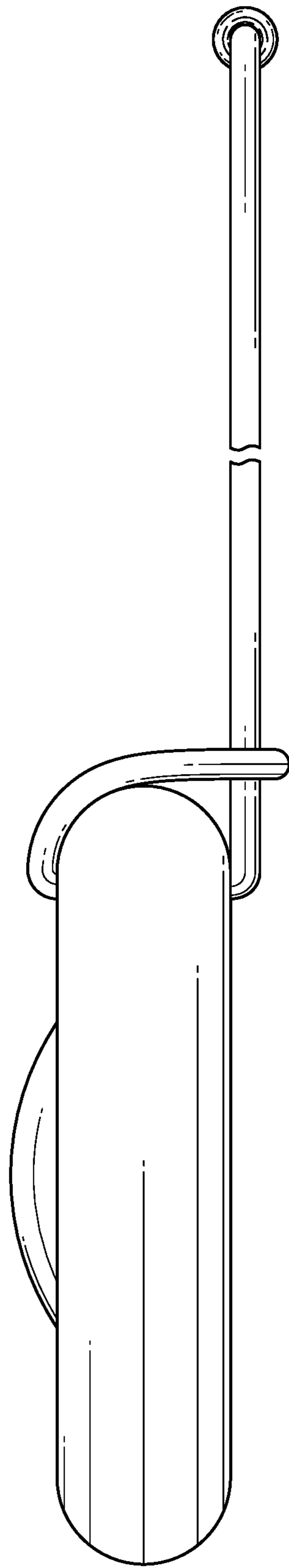


FIG. 6

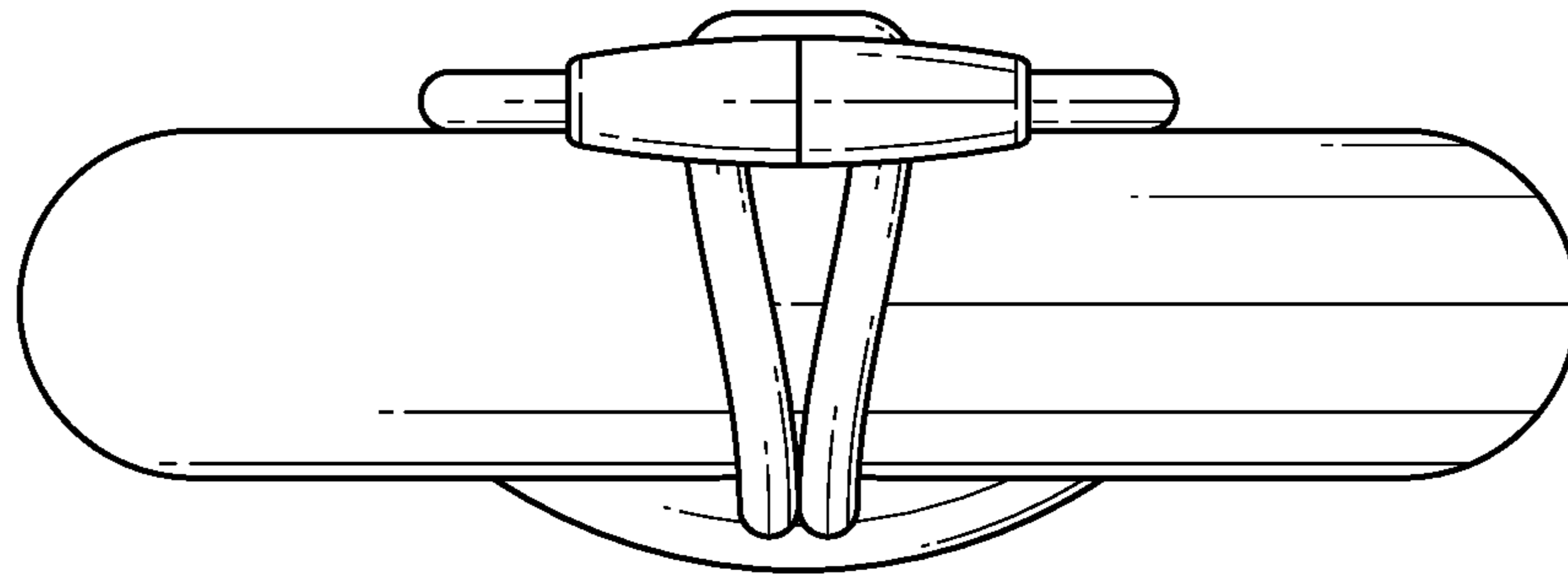


FIG. 7

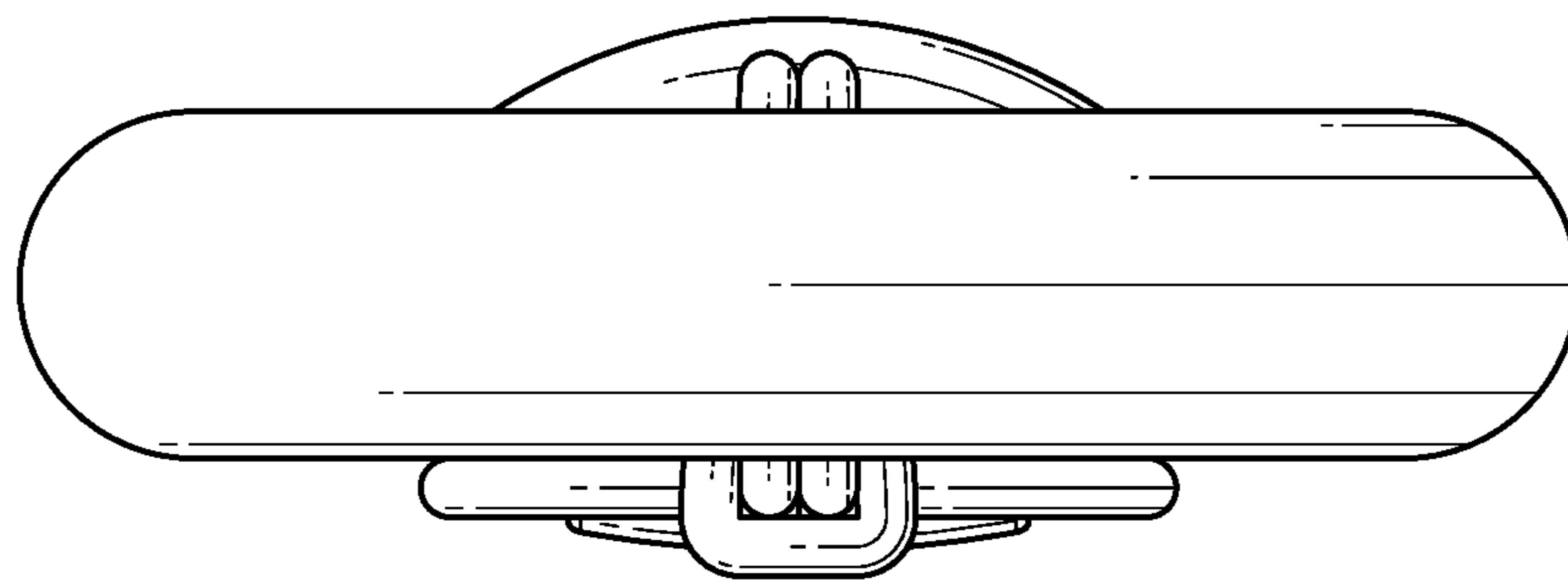


FIG. 8