



US00D934107S

(12) **United States Design Patent** (10) **Patent No.:** **US D934,107 S**
Fillon (45) **Date of Patent:** **** Oct. 26, 2021**

(54) **ARTICLE OF JEWELRY**
(71) Applicant: **CARTIER INTERNATIONAL AG,**
Steinhausen (CH)
(72) Inventor: **Arnaud Fillon,** Paris (FR)
(73) Assignee: **CARTIER INTERNATIONAL AG,**
Steinhausen (CH)
(**) Term: **15 Years**
(21) Appl. No.: **29/774,954**
(22) Filed: **Mar. 19, 2021**

D254,273 S 2/1980 Lawrence
D300,675 S 4/1989 Sacher
4,977,757 A 12/1990 Mesica et al.
D378,501 S 3/1997 Garzi
D400,465 S 11/1998 Maurizio et al.
D405,380 S 2/1999 Maurizio et al.
D447,436 S 9/2001 Park
D684,496 S 6/2013 Haimoff
D791,006 S 7/2017 Ramsey
D804,982 S 12/2017 Bonner
D804,983 S 12/2017 Bonner
D813,706 S 3/2018 Bonner
D813,707 S 3/2018 Bonner
D815,553 S 4/2018 Fillon
D815,974 S 4/2018 Bonner
D824,274 S 7/2018 Trafton et al.
D825,371 S 8/2018 Bonner

(Continued)

Related U.S. Application Data

(62) Division of application No. 29/692,882, filed on May 29, 2019, now Pat. No. Des. 915,931.

Foreign Application Priority Data

Nov. 29, 2018 (WO) 77635

(51) **LOC (13) Cl.** **11-01**

(52) **U.S. Cl.**
USPC **D11/40**

(58) **Field of Classification Search**
USPC D11/1-2, 40-45, 91, 92
CPC A44C 7/00; A44C 7/001; A44C 7/002
See application file for complete search history.

References Cited

U.S. PATENT DOCUMENTS

D106,976 S 11/1937 Hokerk
D119,638 S 3/1940 Ornstein
D123,109 S 10/1940 Garfinkel
D128,297 S 7/1941 Healy
D129,407 S 9/1941 Wilmarth
D152,491 S 1/1949 Ostier
D230,625 S 3/1974 Mechanic

OTHER PUBLICATIONS

Jul. 27, 2020 Restriction Election Issued in U.S. Appl. No. 29/692,882.

Primary Examiner — Llorelys Martinez
(74) *Attorney, Agent, or Firm* — Oliff PLC

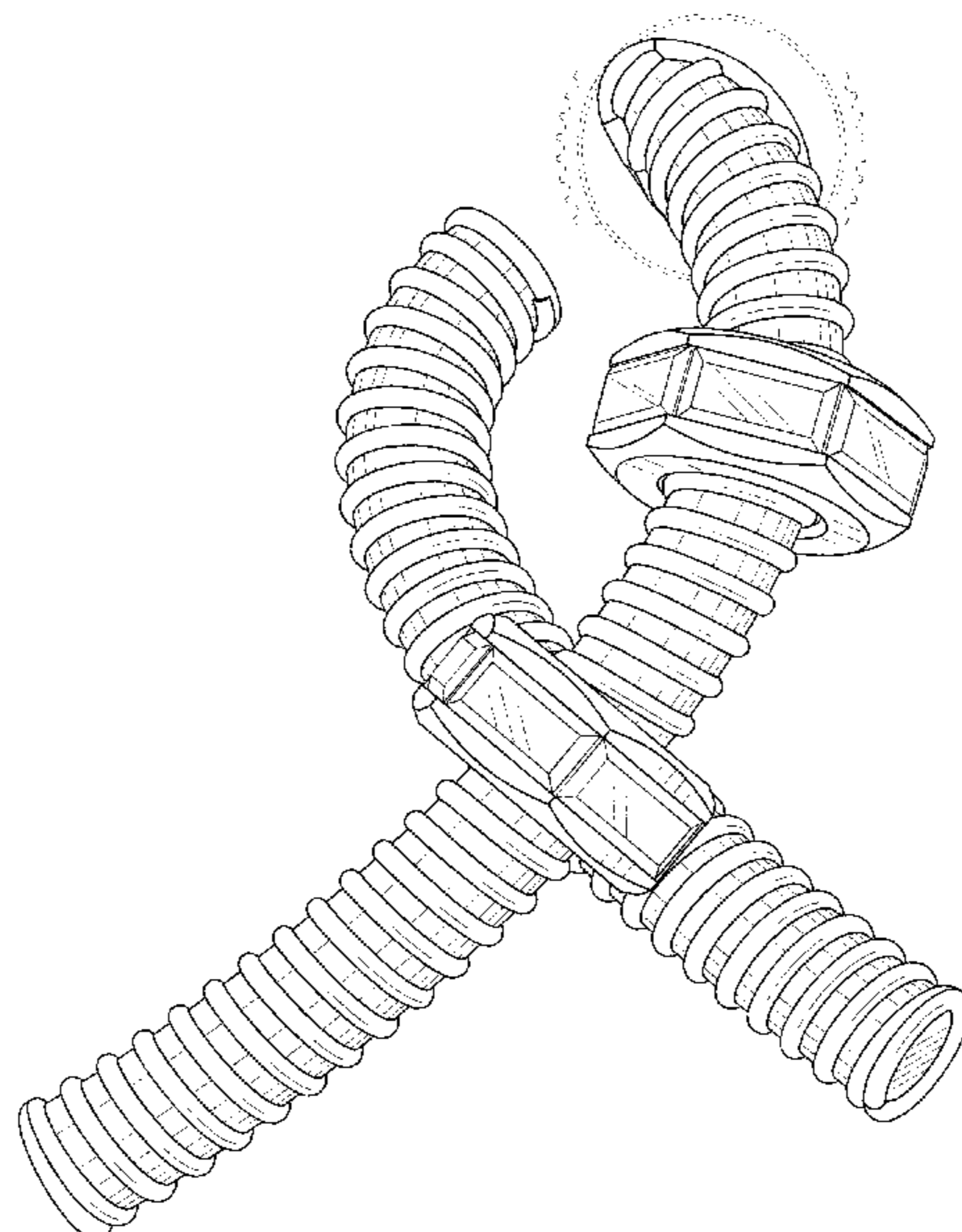
(57) **CLAIM**

The ornamental design for an article of jewelry, as shown and described.

DESCRIPTION

FIG. 1 is a front elevational view of an article of jewelry, showing the new design;
FIG. 2 is a rear elevational view thereof;
FIG. 3 is a bottom plan view thereof;
FIG. 4 is a top plan view thereof;
FIG. 5 is a left-side elevational view thereof;
FIG. 6 is a right-side elevational view thereof; and,
FIG. 7 is a front, right-side, top perspective view thereof.
The broken lines depict parts of the article of jewelry that form no part of the claimed design.

1 Claim, 7 Drawing Sheets



(56)

References Cited

U.S. PATENT DOCUMENTS

D825,372 S	8/2018	Bonner	
D872,618 S	1/2020	Atkinson et al.	
D877,642 S	3/2020	Fillon	
D888,597 S	6/2020	Fillon	
D915,931 S *	4/2021	Fillon	D11/34
2018/0220755 A1 *	8/2018	Bonner	A44C 15/005

* cited by examiner

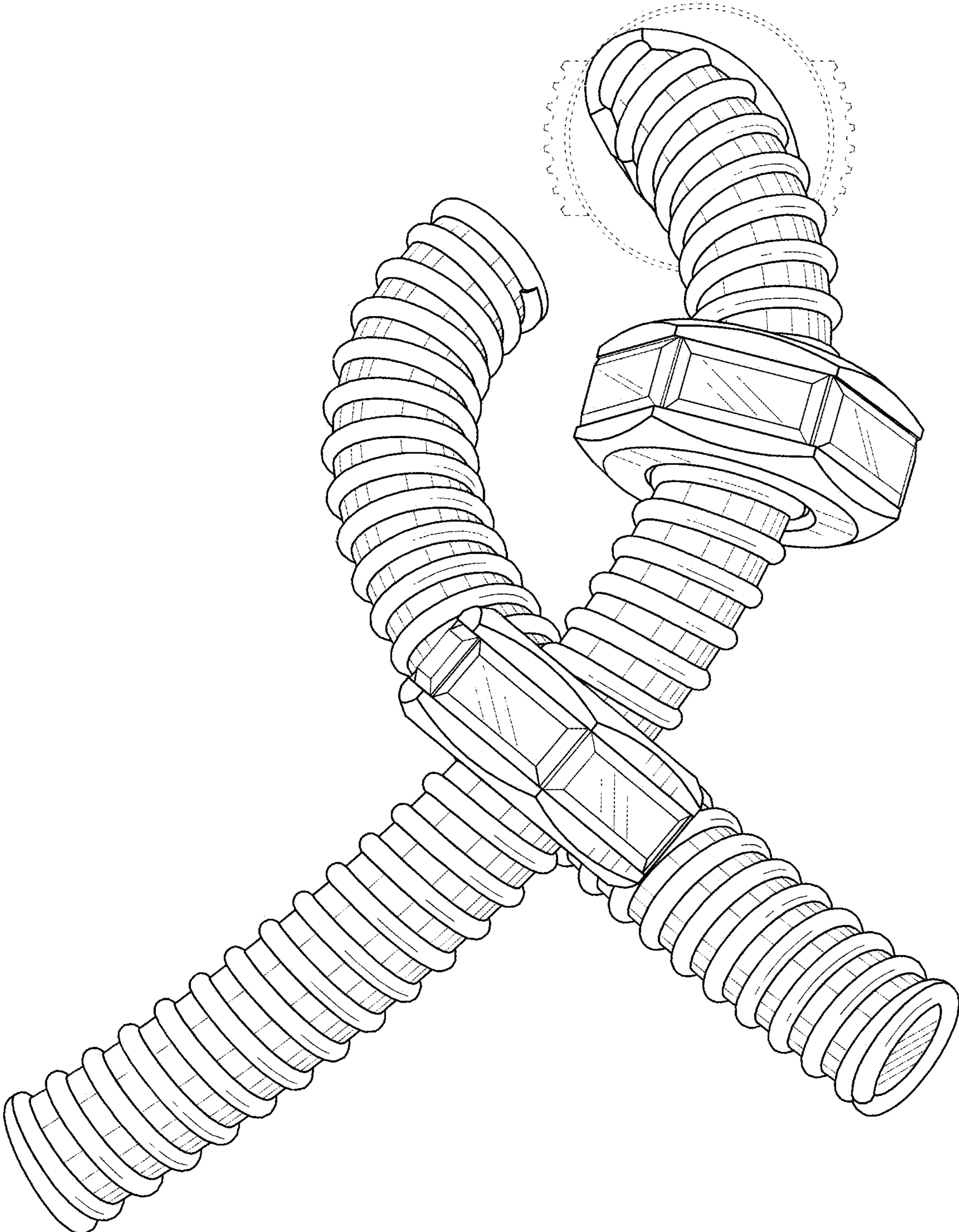


FIG. 1

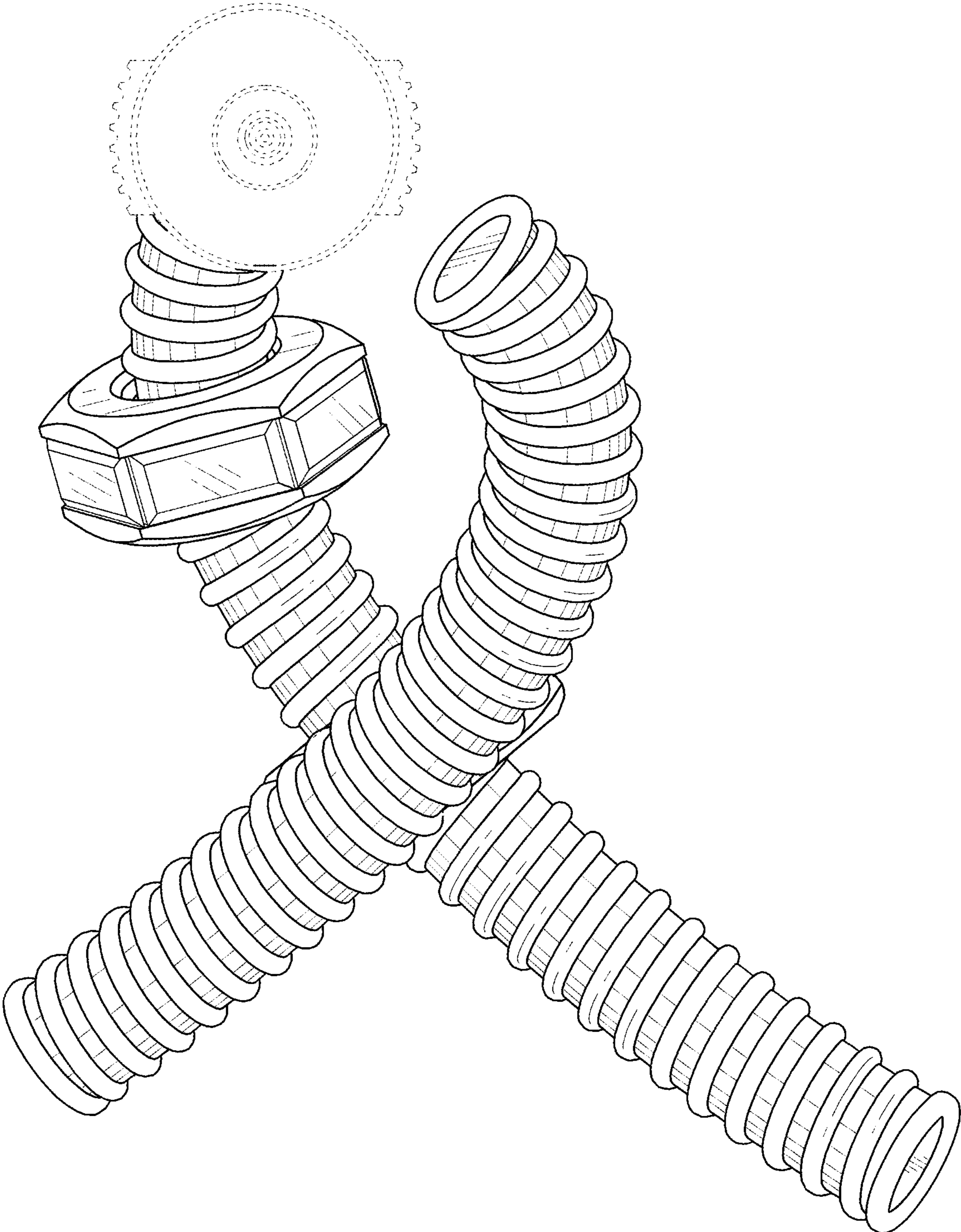


FIG. 2

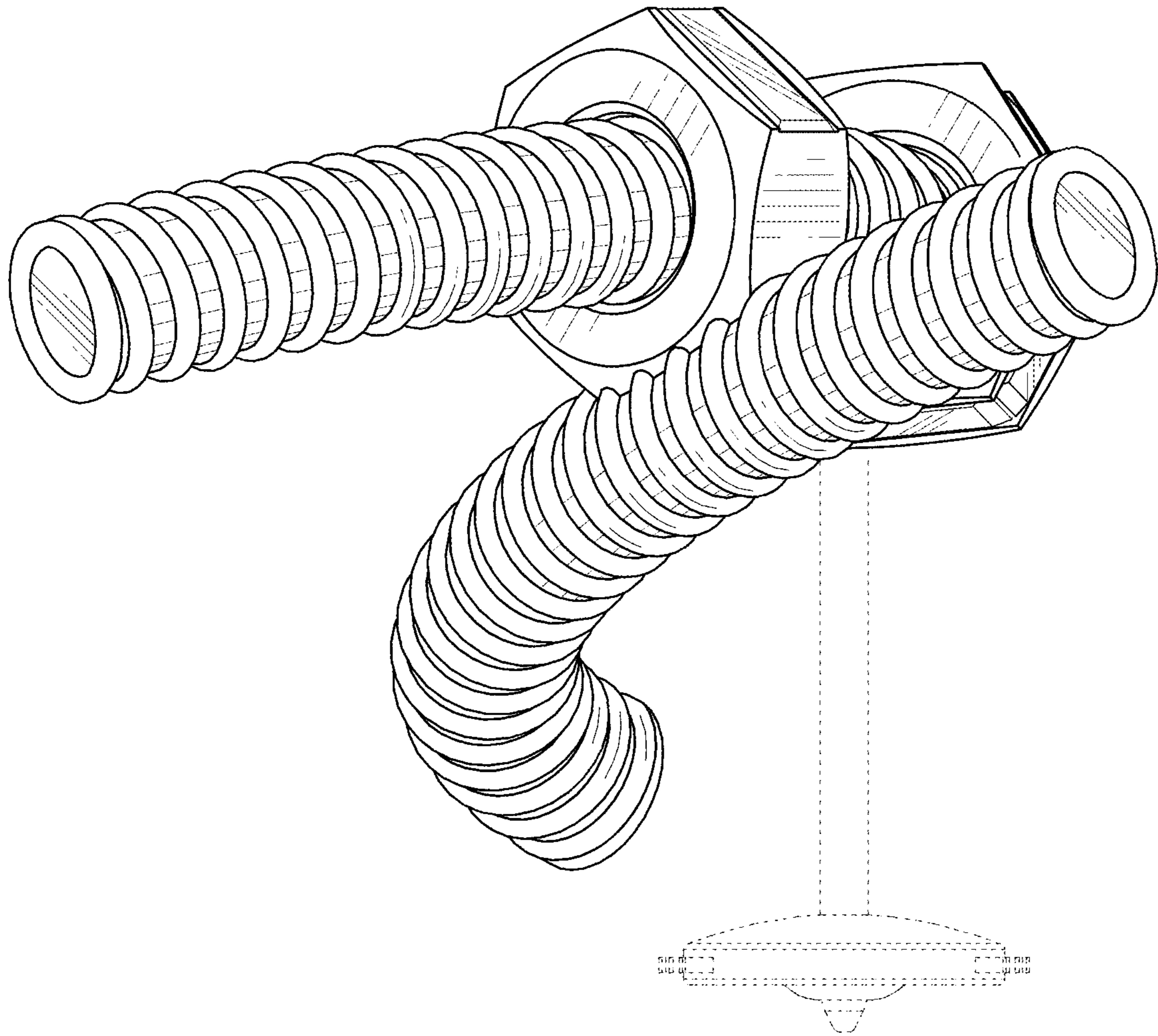


FIG. 3

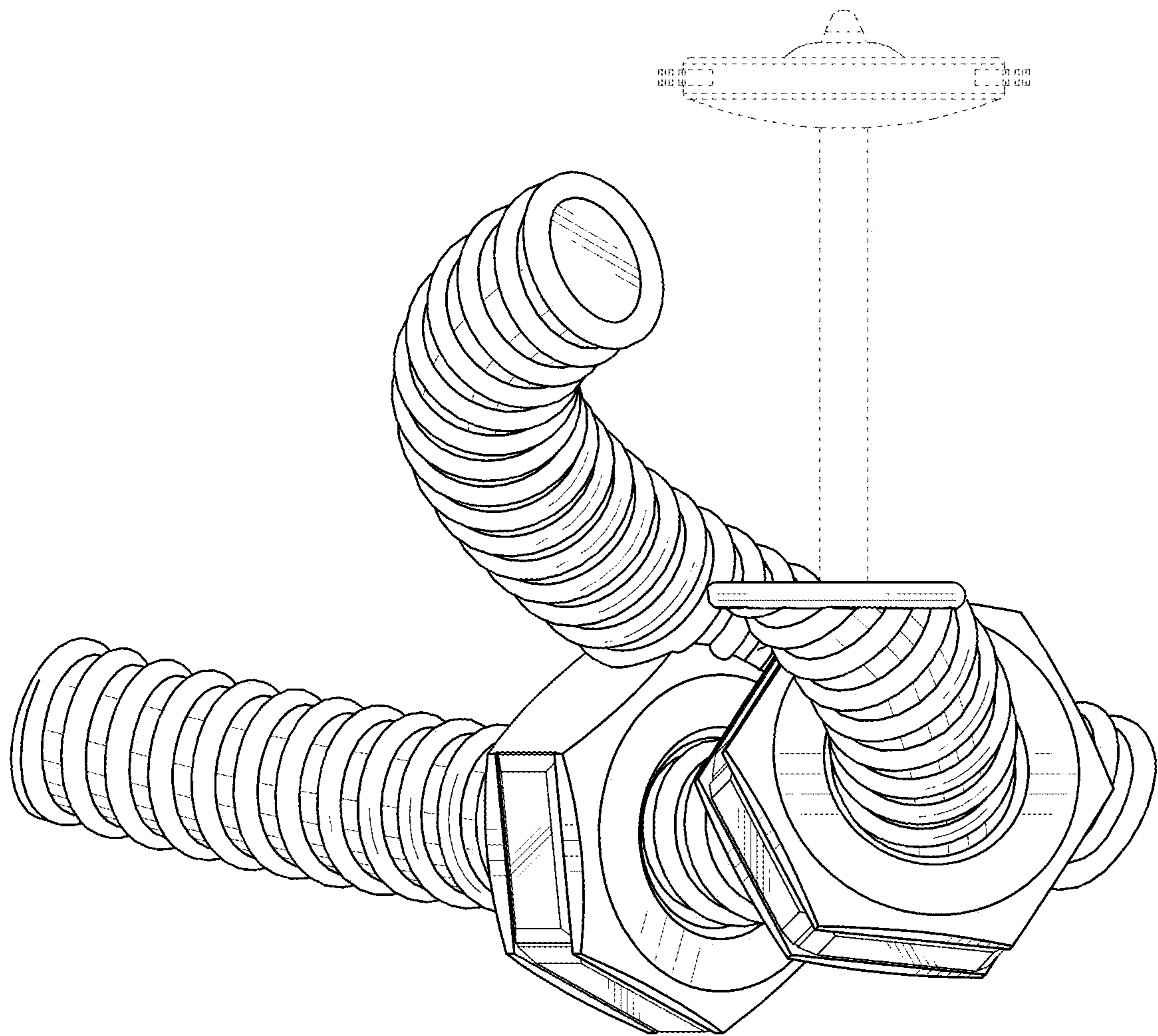


FIG. 4

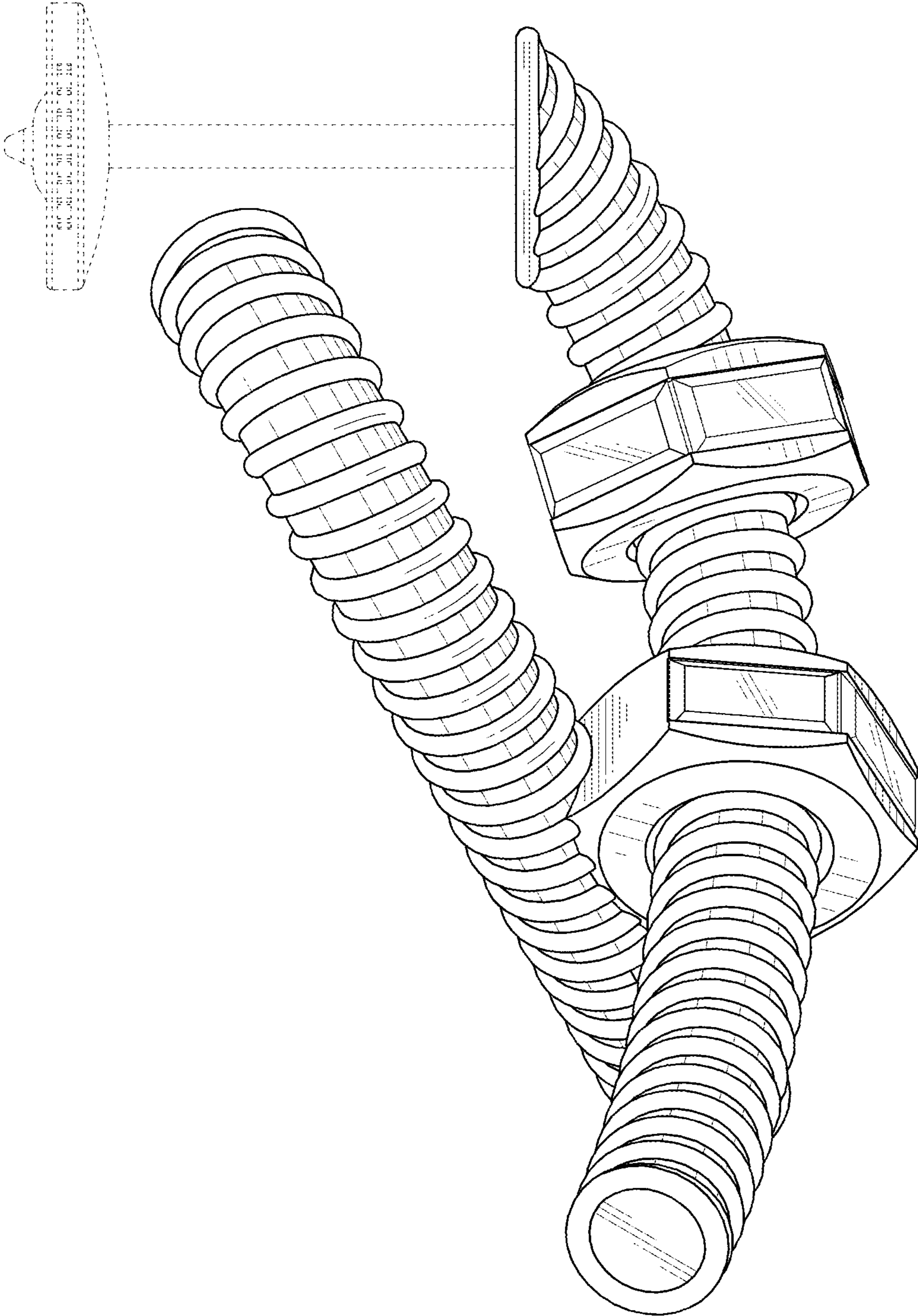


FIG. 5

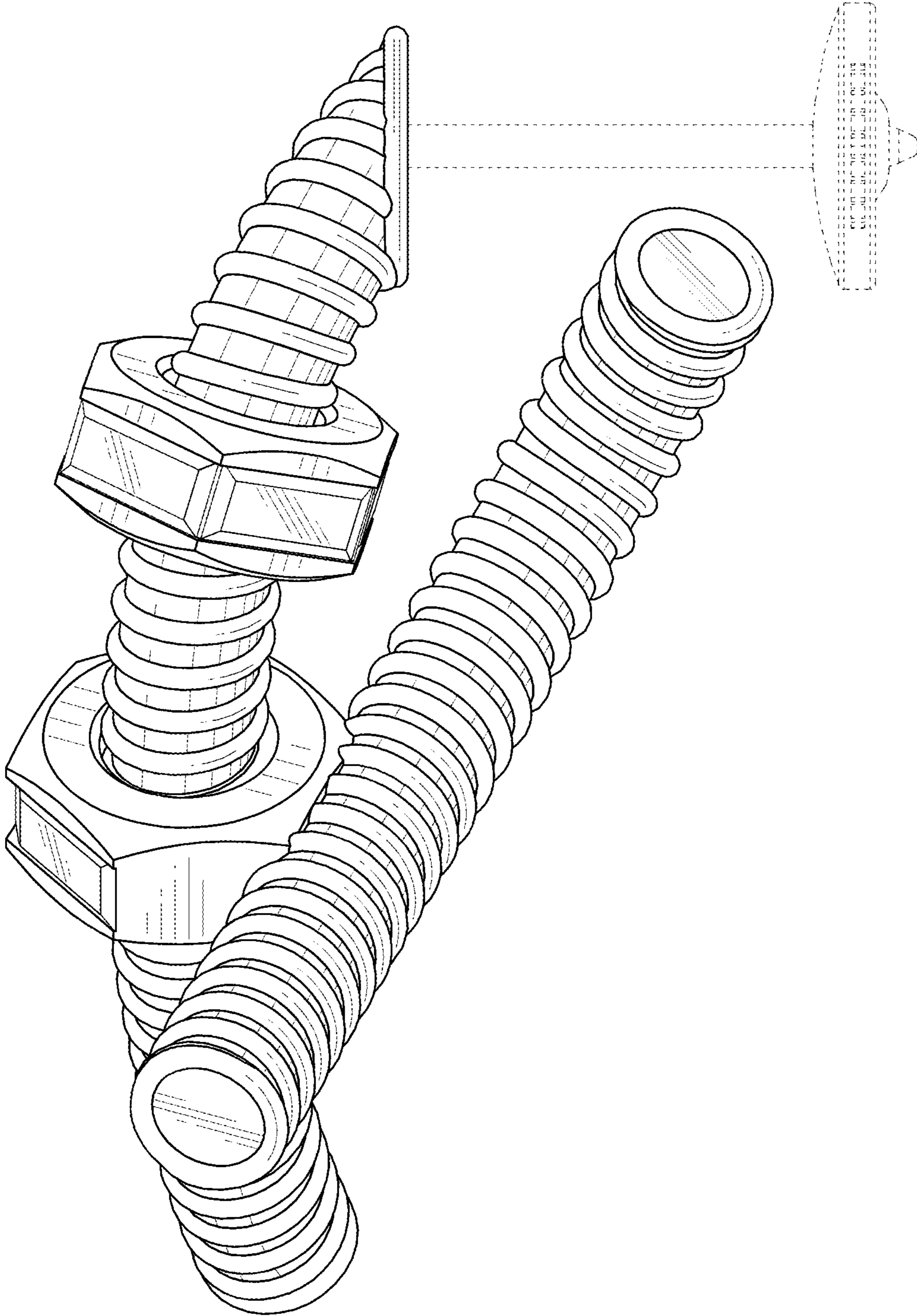


FIG. 6

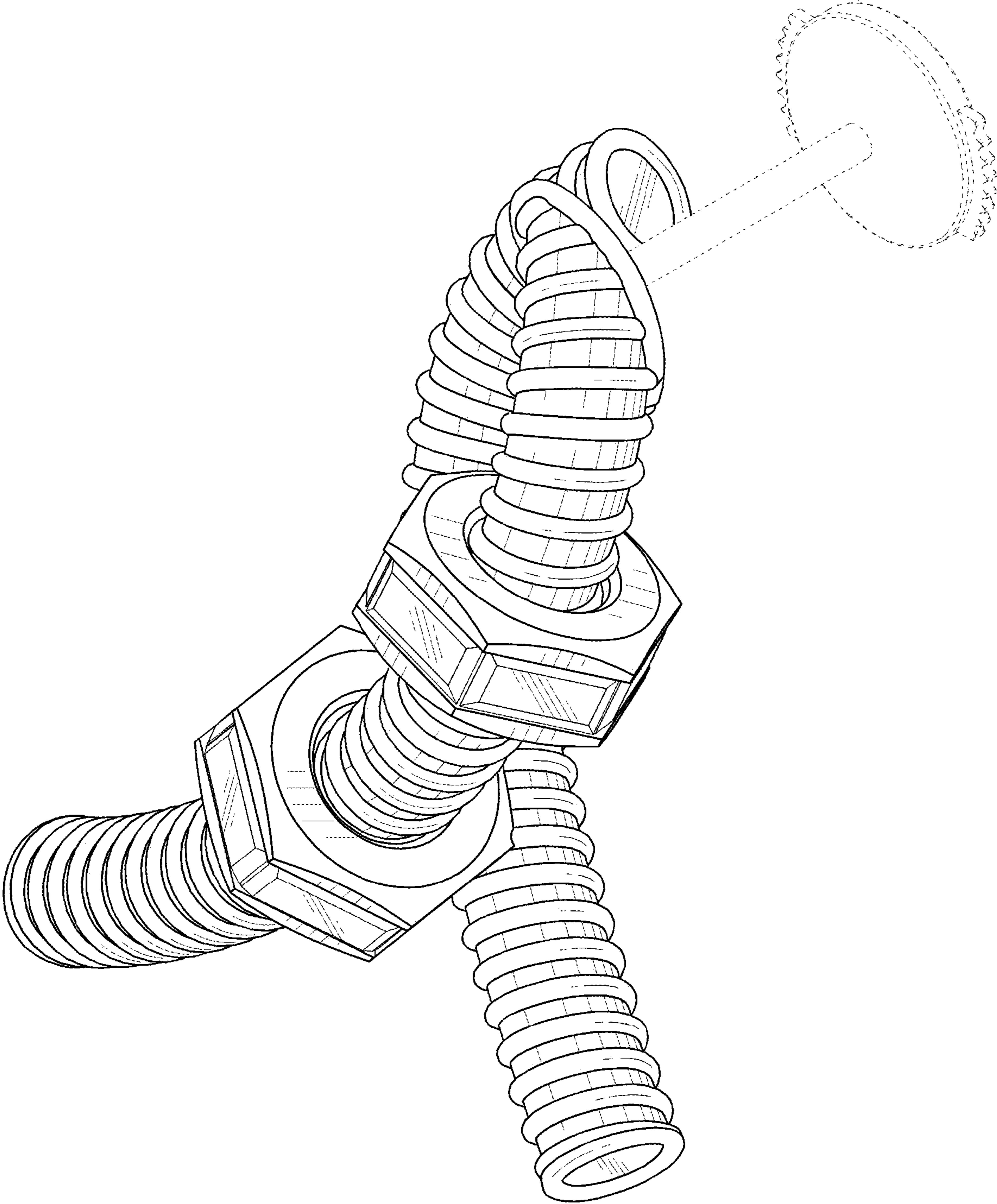


FIG. 7