



US00D934103S

(12) **United States Design Patent** (10) **Patent No.:** **US D934,103 S**
Yamada (45) **Date of Patent:** **** Oct. 26, 2021**

(54) **JEWELLERY**
(71) Applicant: **TASAKI & Co., Ltd.**, Hyogo (JP)
(72) Inventor: **Yoshikazu Yamada**, Tokyo (JP)
(73) Assignee: **TASAKI & Co., Ltd.**, Kobe (JP)
(**) Term: **15 Years**

D632,603 S 2/2011 Krakoff
D694,666 S 12/2013 Lawson, III
D757,600 S 5/2016 Wright
D780,033 S * 2/2017 Duval D11/40
D784,844 S * 4/2017 Amfitheatrof D11/27
D834,442 S * 11/2018 Amfitheatrof D11/5
D872,631 S 1/2020 Jimenez et al.
D882,448 S * 4/2020 Gurung D11/26
D914,532 S * 3/2021 Yamada D11/40

(21) Appl. No.: **29/767,245**
(22) Filed: **Jan. 21, 2021**

Related U.S. Application Data

(62) Division of application No. 35/508,017, filed on Jun. 4, 2019 (U.S. filing date under 35 U.S.C. 384), and having an international filing date of Jun. 4, 2019, now Pat. No. Des. 914,532.

(51) **LOC (13) Cl.** **11-01**
(52) **U.S. Cl.**
USPC **D11/26**

(58) **Field of Classification Search**
USPC D11/1, 2, 3, 4, 26-39, 40-48, 79-86
CPC A44C 1/00; A44C 9/00; A44C 9/0007;
A44C 9/0015; A44C 9/0023; A44C
9/003; A44C 9/0038; A44C 9/0046; A44C
9/0053; A44C 9/0061; A44C 9/0069;
A44C 9/0076; A44C 9/0092; A44C 9/02;
A44C 25/00; A44C 25/001; A44C
25/002; A44C 25/007

See application file for complete search history.

(56) **References Cited**

U.S. PATENT DOCUMENTS

D26,455 S 12/1896 Mishler
D134,023 S 10/1942 Meyer
D252,867 S 9/1979 Mann
D494,882 S * 8/2004 Hara D11/26
D593,431 S * 6/2009 Komenaka D11/26
D625,217 S * 10/2010 Hardy D11/26

OTHER PUBLICATIONS

[Online] "Balance Cross Ring" https://www.tasaki.co.uk/jewellery/collectionline/balance/balance_cross/RPI-4789-18KYG/?jewellery=ring. Retrieved Jun. 14, 2021.*

[Online] "Balance Cross" https://www.tasaki-global.com/jewellery/collectionline/balance/balance_cross/E-4227-18KYG/?jewellery=earrings. Retrieved Dec. 16, 2020; Cited in USPTO office communication dated Dec. 23, 2020 issued for U.S. Appl. No. 35/508,017.

* cited by examiner

Primary Examiner — Melanie Pellegrini

(74) *Attorney, Agent, or Firm* — Rankin, Hill & Clark LLP

(57) **CLAIM**

The ornamental design for jewellery, as shown and described.

DESCRIPTION

FIG. 1 : Perspective
FIG. 2 : Front
FIG. 3 : Back
FIG. 4 : Left
FIG. 5 : Right
FIG. 6 : Bottom
FIG. 7 : Top

The parts shown in broken lines form no part of the claimed designs; the thin lines on the articles show a three-dimensional shape of the article surface.

1 Claim, 7 Drawing Sheets

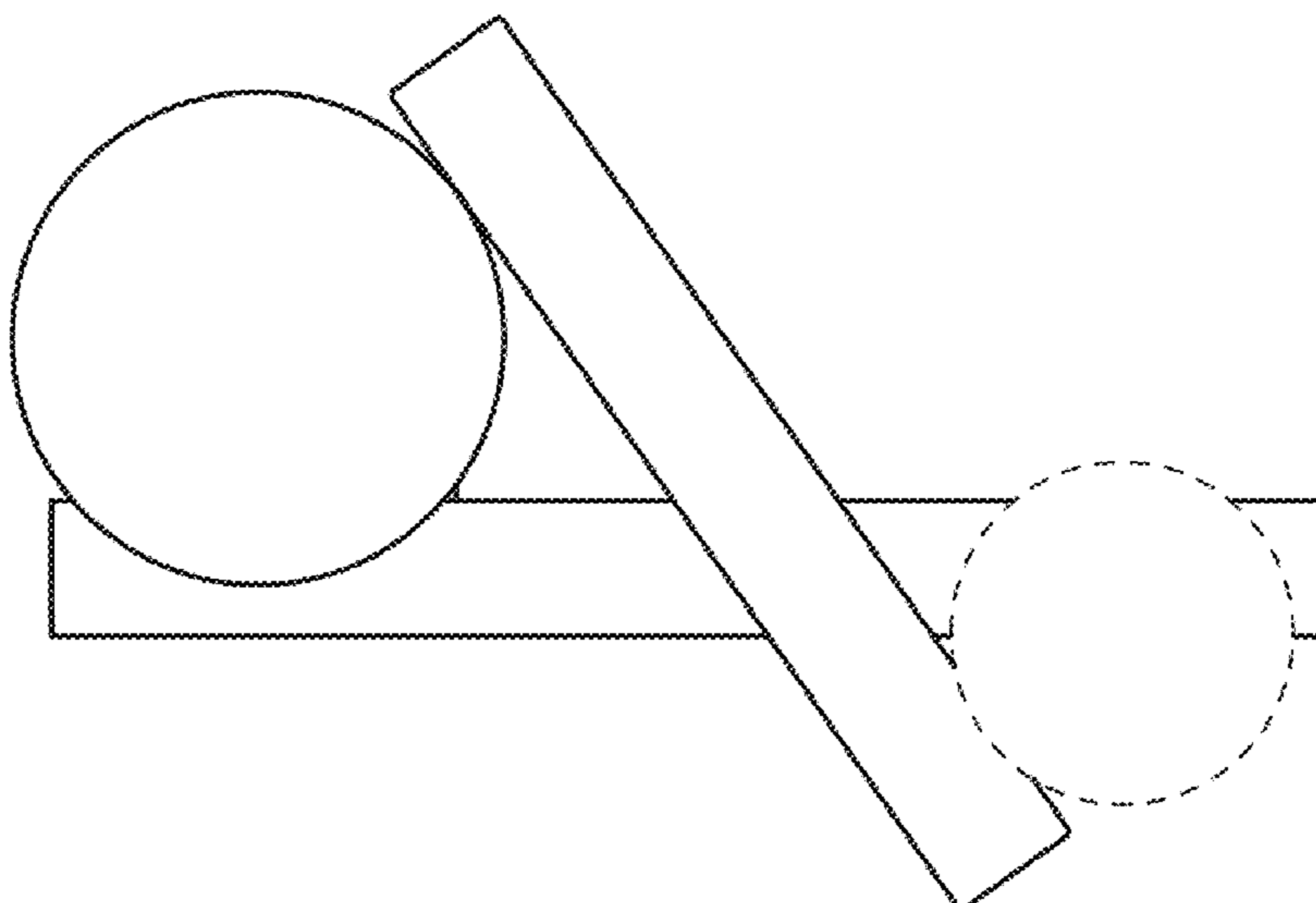


FIG. 1

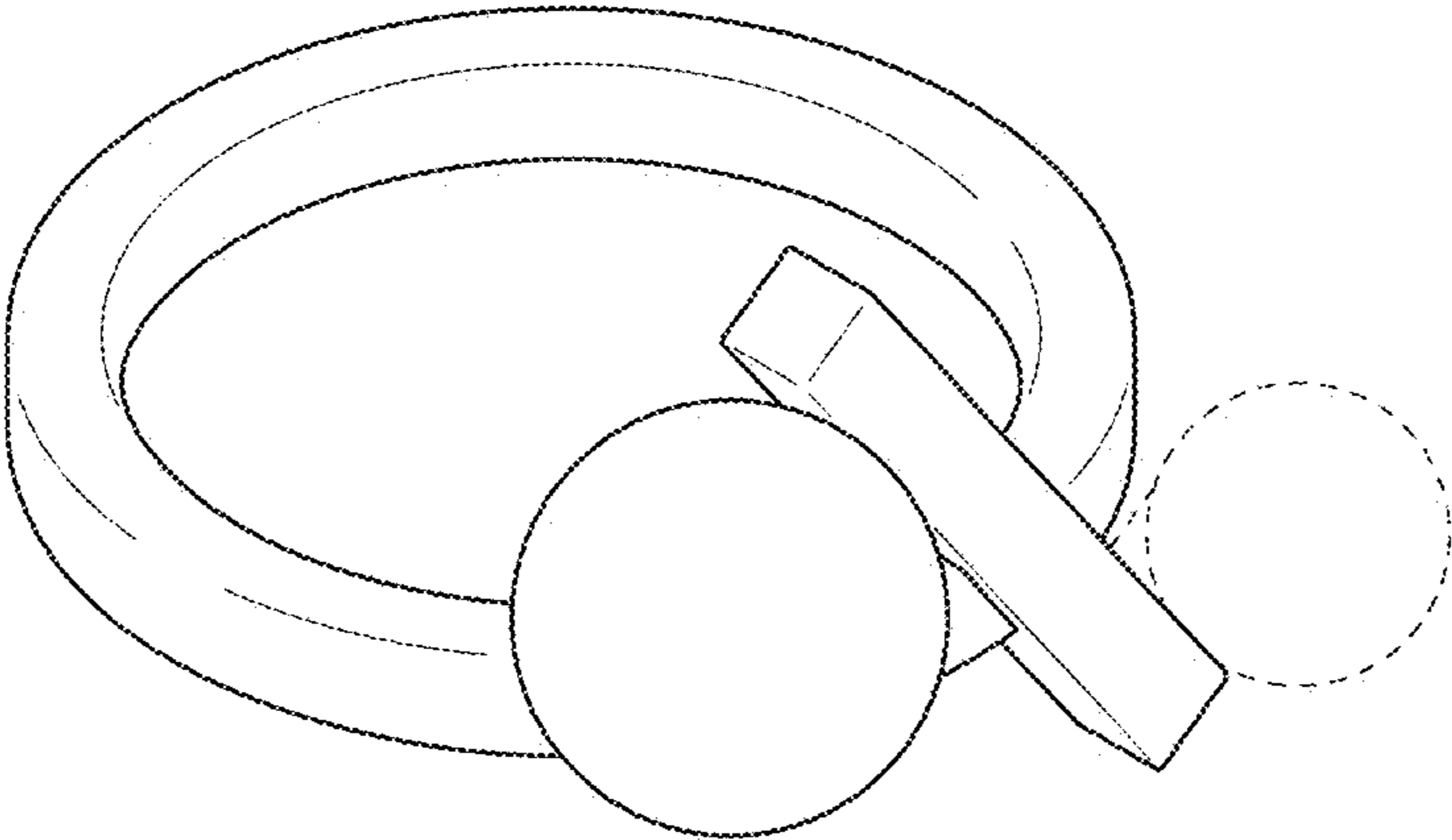


FIG. 2

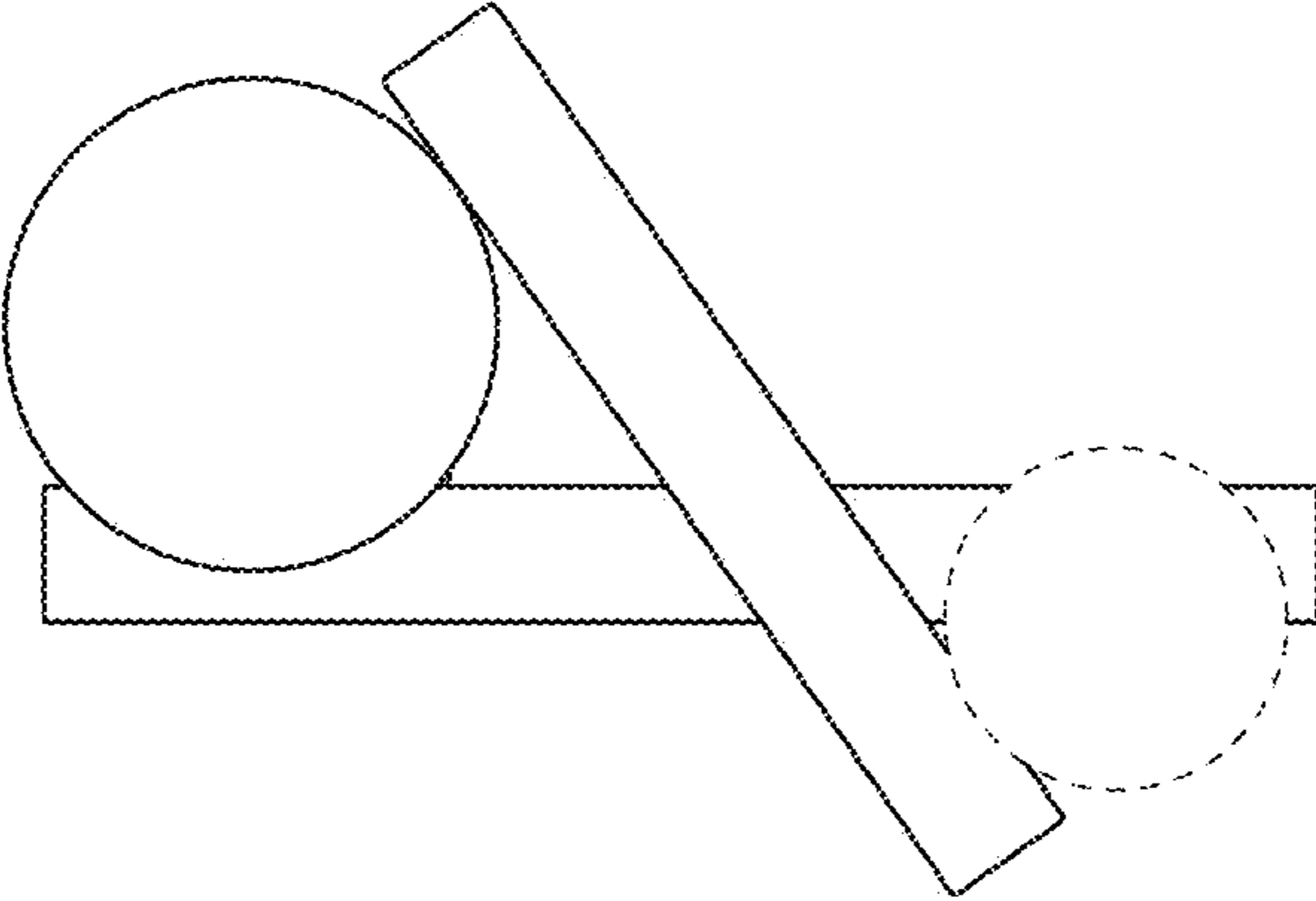


FIG. 3

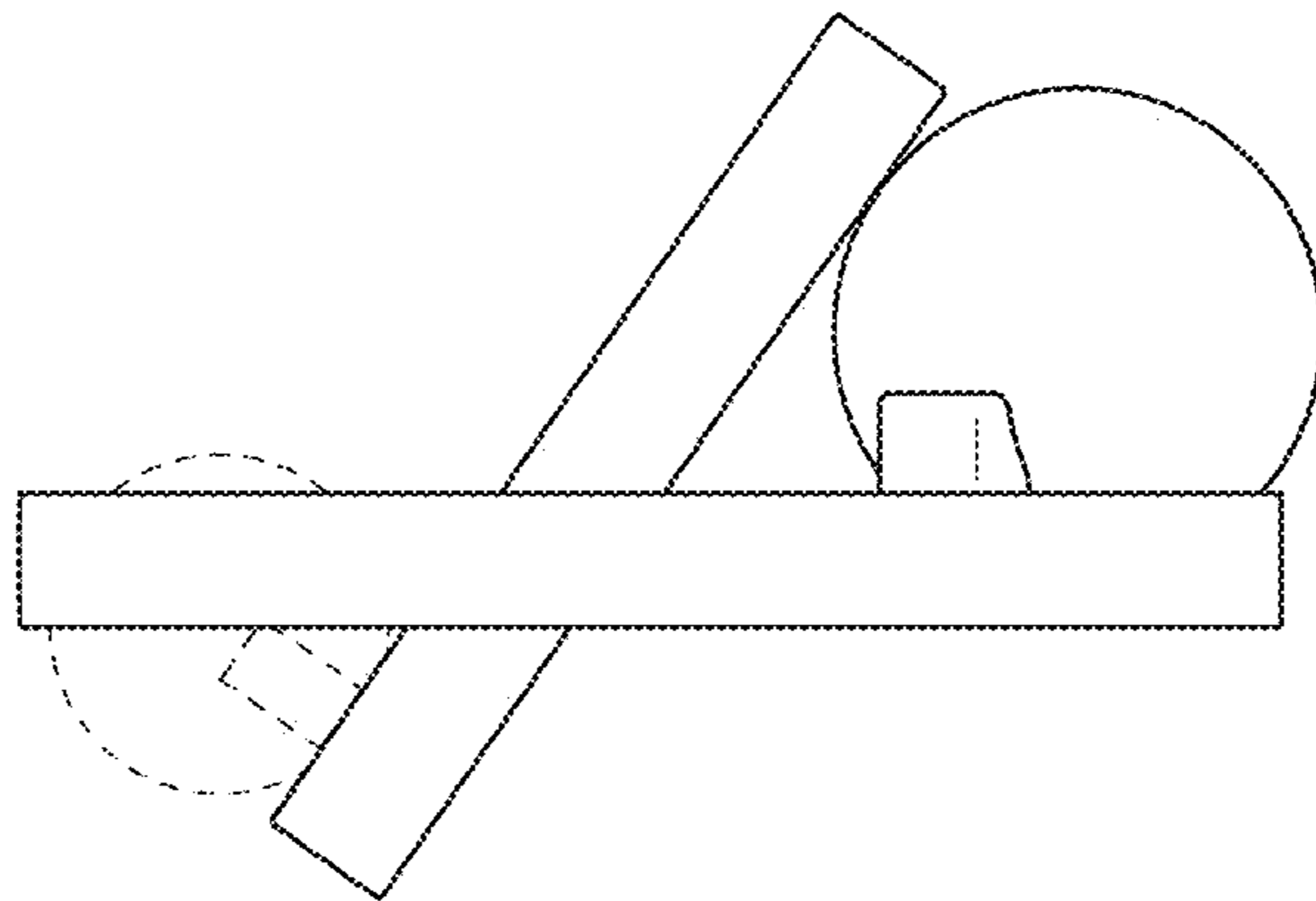


FIG. 4

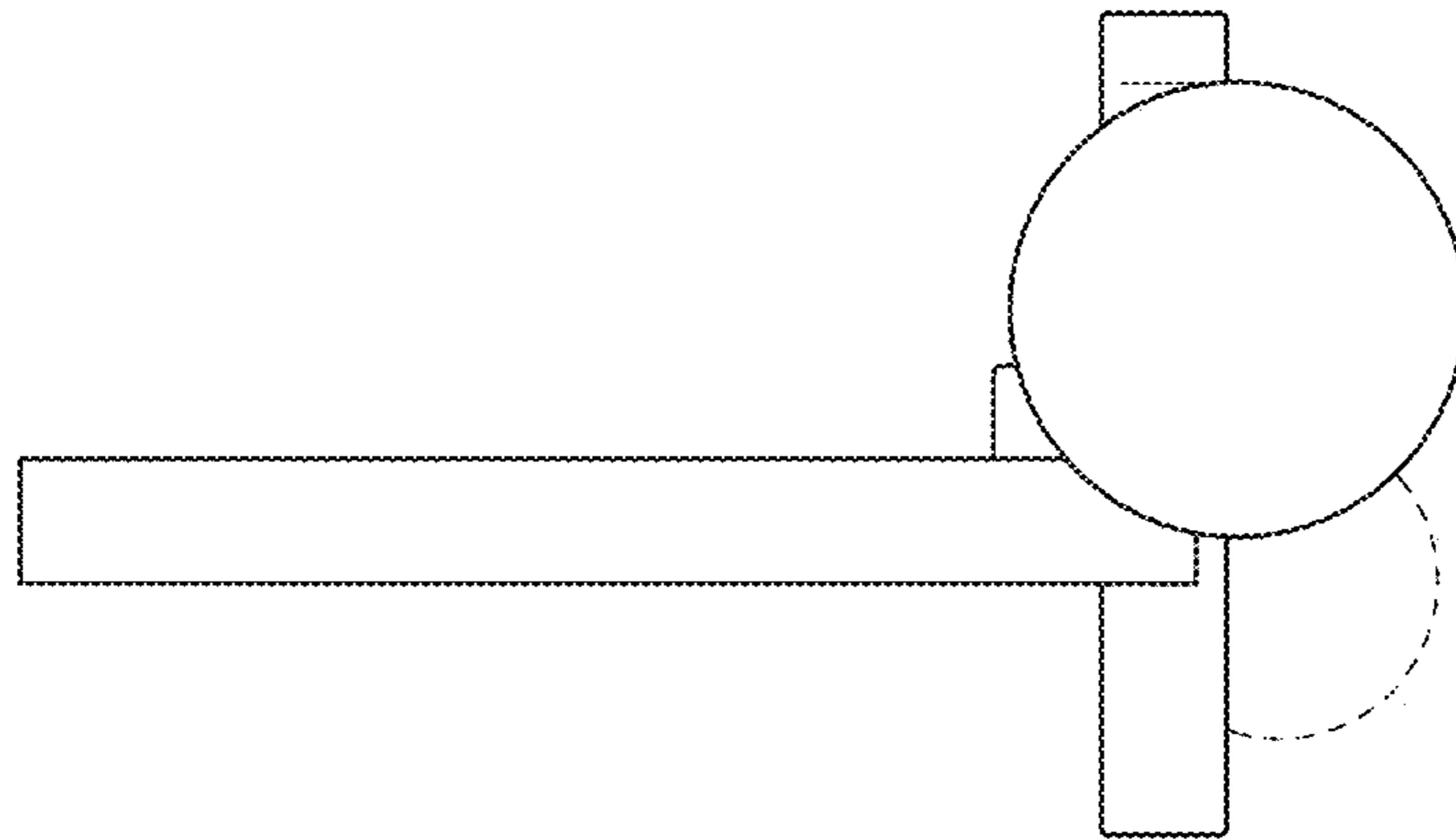


FIG. 5

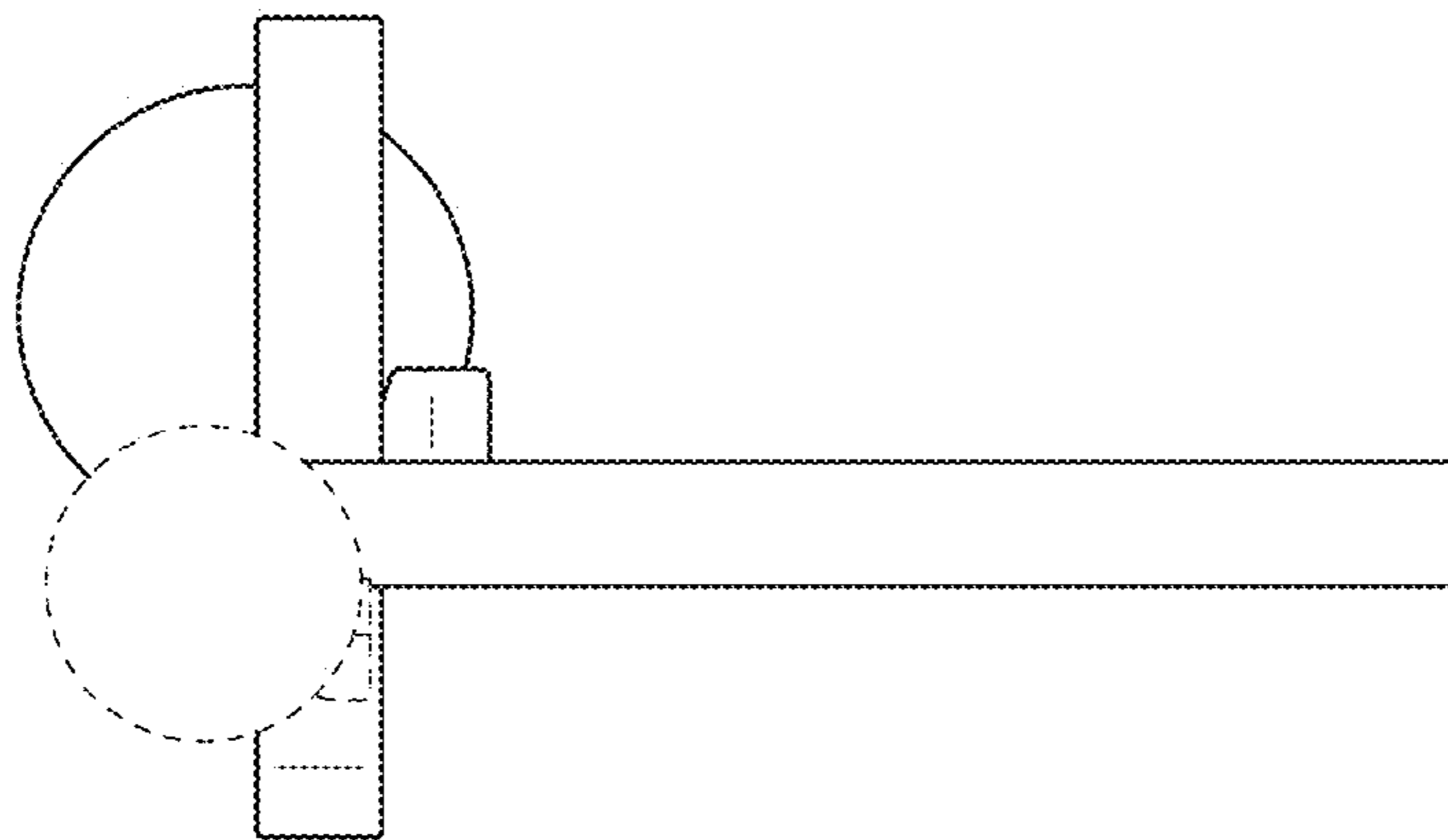


FIG. 6

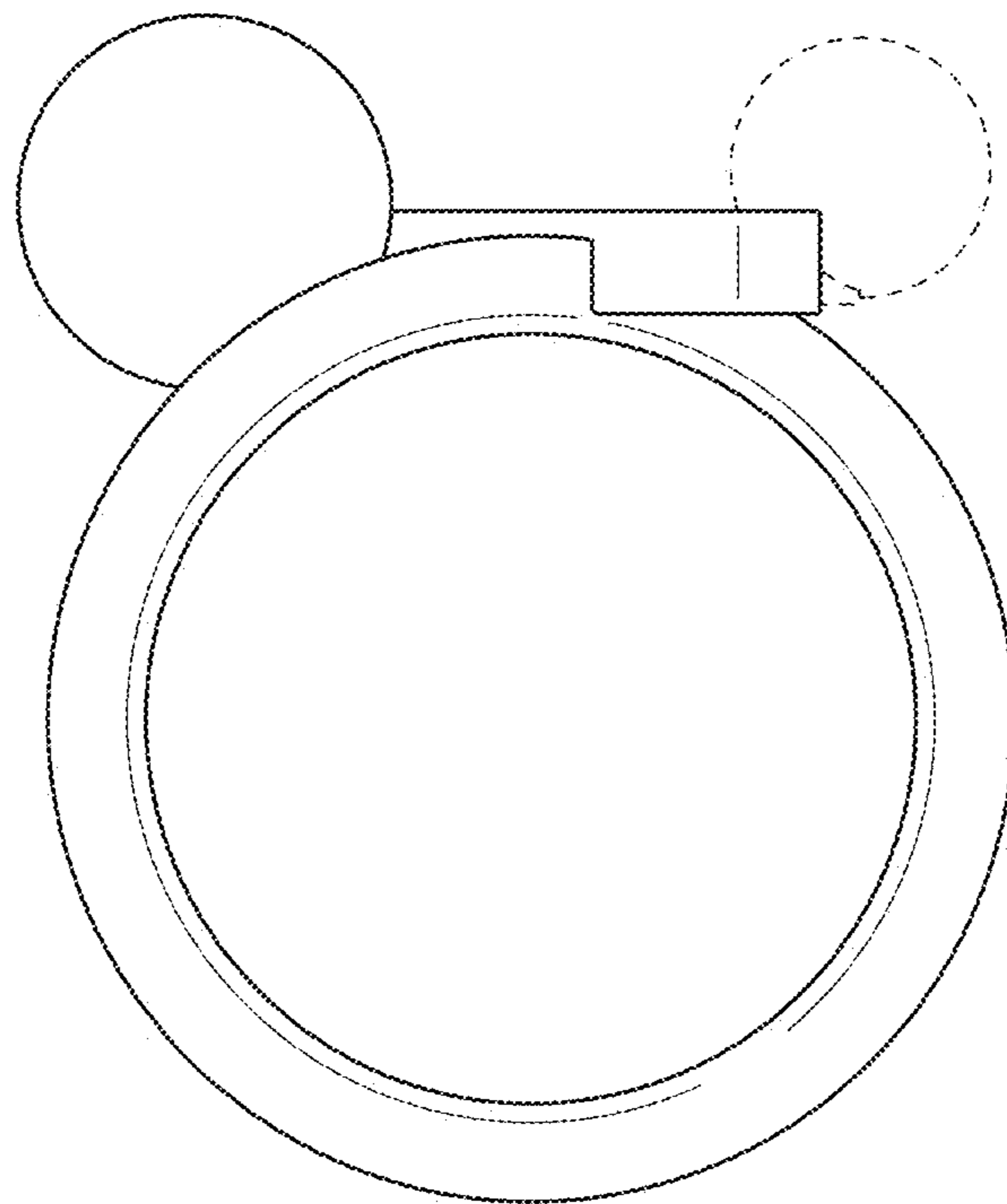


FIG. 7

